



US00D535875S

(12) **United States Design Patent** (10) **Patent No.:** **US D535,875 S**  
**Carmichael et al.** (45) **Date of Patent:** **\*\* Jan. 30, 2007**

(54) **COMBINED TRAY AND LID** 4,801,077 A \* 1/1989 Sweatt et al. .... 229/113  
4,820,893 A 4/1989 Mode  
(75) Inventors: **Gary Herbert Carmichael**, Des 4,940,867 A 7/1990 Peleg  
Plaines, IL (US); **Christopher Wright** 4,972,059 A 11/1990 Wendt et al.  
**Dunkle**, Chicago, IL (US); **Craig T.** D314,887 S 2/1991 Tomaras  
**Wilkie**, Marietta, GA (US); **David** 5,006,684 A 4/1991 Wendt et al.  
**Allan Schroeder**, Lombard, IL (US); 5,039,833 A 8/1991 Woods  
**James Belcastro**, Park Ridge, IL (US) 5,077,455 A 12/1991 Peleg et al.  
5,144,106 A 9/1992 Kearns et al.

(73) Assignee: **Kraft Foods Holdings, Inc.**, Northfield, IL (US)

(Continued)

(\*\*) Term: **14 Years**

FOREIGN PATENT DOCUMENTS

(21) Appl. No.: **29/243,247**

EP	1479619	11/2004
EP	0991350	5/2005
JP	61165526	7/1986
WO	WO 91/05448	4/1991
WO	WO 01/23275	4/2001
WO	WO 05/030020	4/2005
WO	WO 05/032318	4/2005

(22) Filed: **Nov. 22, 2005**

(51) **LOC (8) Cl.** ..... **09-03**

(52) **U.S. Cl.** ..... **D9/432**

(58) **Field of Classification Search** ..... D9/414,  
D9/416, 423, 425, 430-433, 427, 761, 711,  
D9/721; D1/105; D7/601; 206/525, 557,  
206/590, 541; 99/DIG. 14; 426/106, 112,  
426/113, 115, 243, 234; 219/730, 735; 229/123,  
229/906, 902, 938, 113, 164

See application file for complete search history.

*Primary Examiner*—Stella Reid  
*Assistant Examiner*—Mark Goodwin  
(74) *Attorney, Agent, or Firm*—Fitch, Even, Tabin & Flannery

(57) **CLAIM**

We claim the ornamental design for a combined tray and lid, as shown and described.

(56) **References Cited**

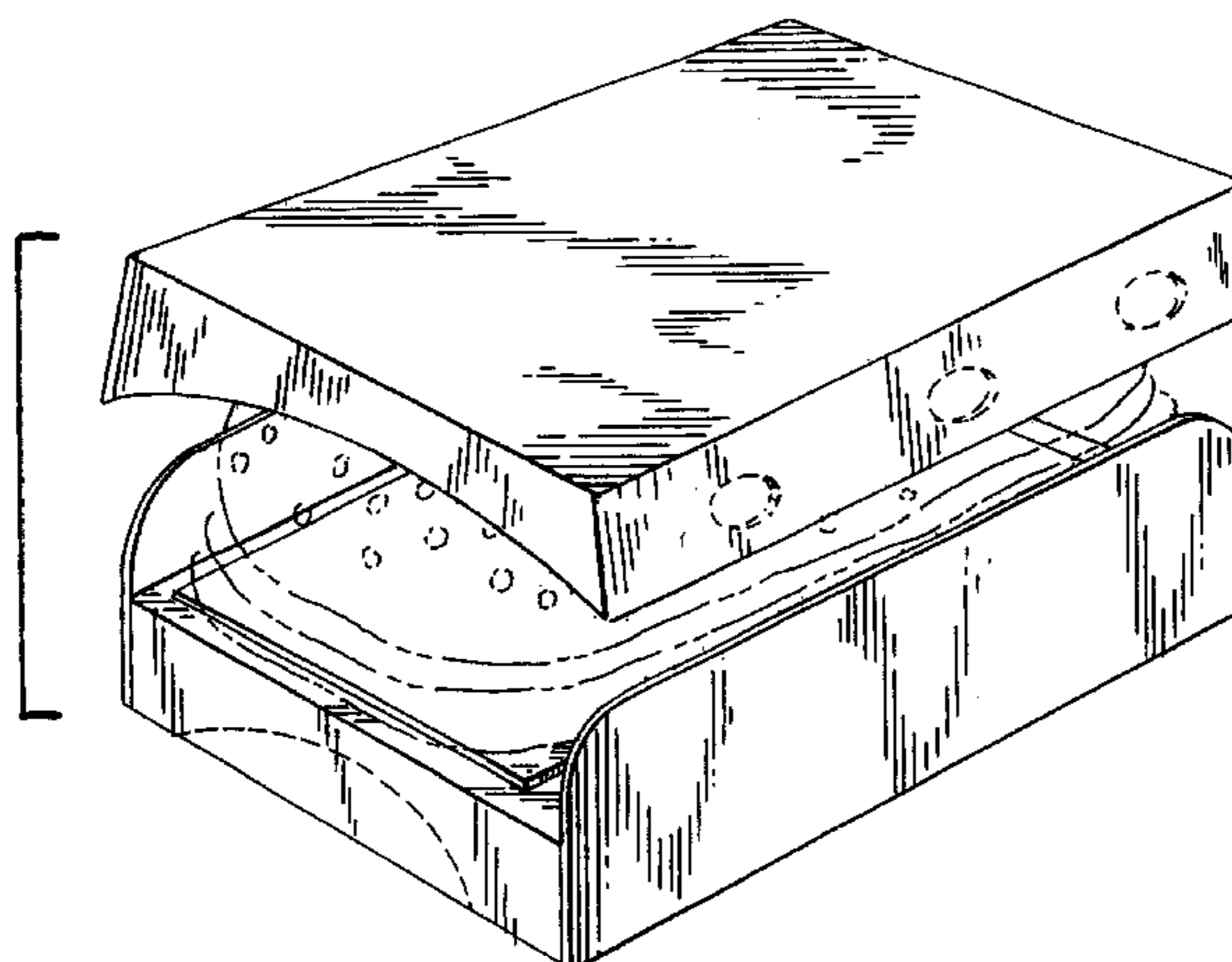
**DESCRIPTION**

U.S. PATENT DOCUMENTS

2,677,493 A *	5/1954	Wauda	.....	229/195
3,314,585 A *	4/1967	Forrer	.....	229/125.28
3,810,573 A *	5/1974	Russell et al.	.....	229/164
4,190,757 A	2/1980	Turpin et al.		
4,228,945 A *	10/1980	Wysocki	.....	229/120.011
4,264,629 A	4/1981	Dogliotti		
4,304,335 A	12/1981	Bemiss		
4,344,537 A	8/1982	Austin		
4,383,636 A *	5/1983	Chaffers	.....	206/509
4,511,039 A	4/1985	Siemek		
4,594,492 A	6/1986	Maroszek		
4,703,148 A	10/1987	Mikulski et al.		
4,705,929 A *	11/1987	Atkinson	.....	219/730
4,744,510 A	5/1988	Hochart		
4,794,005 A	12/1988	Swiontek		

FIG. 1 is a perspective view of the combined tray and lid; FIG. 2 is a top plan view of the combined tray and lid of FIG. 1; FIG. 3 is a bottom plan view of the combined tray and lid of FIG. 1; FIG. 4 is a right side elevation view of the combined tray and lid of FIG. 1, the left side elevation view being identical thereto; and, FIG. 5 is a front side elevation view of the combined tray and lid of FIG. 1, the back side elevation view being identical thereto. Portions of the figures shown in broken lines form no part of the claimed invention.

**1 Claim, 3 Drawing Sheets**



# US D535,875 S

Page 2

---

U.S. PATENT DOCUMENTS					
			6,629,607 B1	10/2003	Gibson
			6,744,028 B2	6/2004	Chisholm et al.
5,153,402 A	10/1992	Quick et al.	6,818,873 B2	11/2004	Savage et al.
5,227,599 A	7/1993	Mason et al.	6,847,021 B2	1/2005	Lefevre et al.
5,234,159 A *	8/1993	Lorence et al. .... 229/125.35	6,906,299 B2	6/2005	Watkins
5,247,149 A	9/1993	Peleg	6,915,949 B1	7/2005	Economopoulos
5,252,793 A	10/1993	Woods	2004/0023000 A1	2/2004	Young et al.
5,267,686 A	12/1993	Gulliver et al.	2004/0026414 A1	2/2004	Murphy
D343,764 S *	2/1994	Baroud ..... D7/601	2004/0062839 A1	4/2004	Pederson
5,416,304 A	5/1995	De La Cruz et al.	2004/0121049 A1	6/2004	Ebner et al.
5,416,305 A	5/1995	Tambellini	2004/0234653 A1	11/2004	Cogley et al.
5,632,379 A	5/1997	Frost	2005/0040162 A1	2/2005	Zhang et al.
5,881,948 A	3/1999	Correll	2005/0109772 A1	5/2005	Thorpe et al.
6,054,698 A	4/2000	Mast	2005/0133500 A1	6/2005	Brooks et al.
6,303,914 B1	10/2001	Bono et al.			
6,359,272 B1	3/2002	Sadek et al.			

\* cited by examiner

FIG. 1

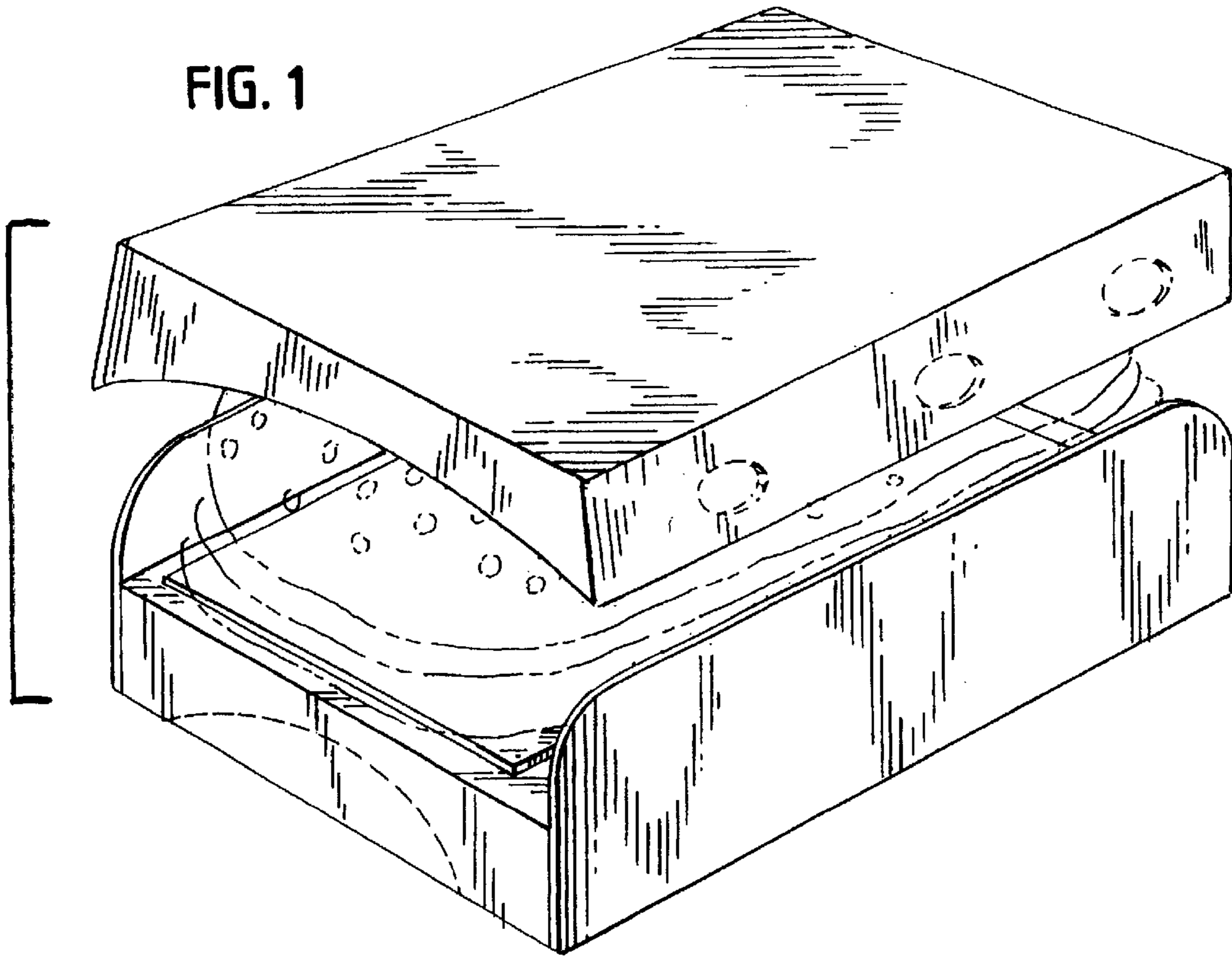


FIG. 2

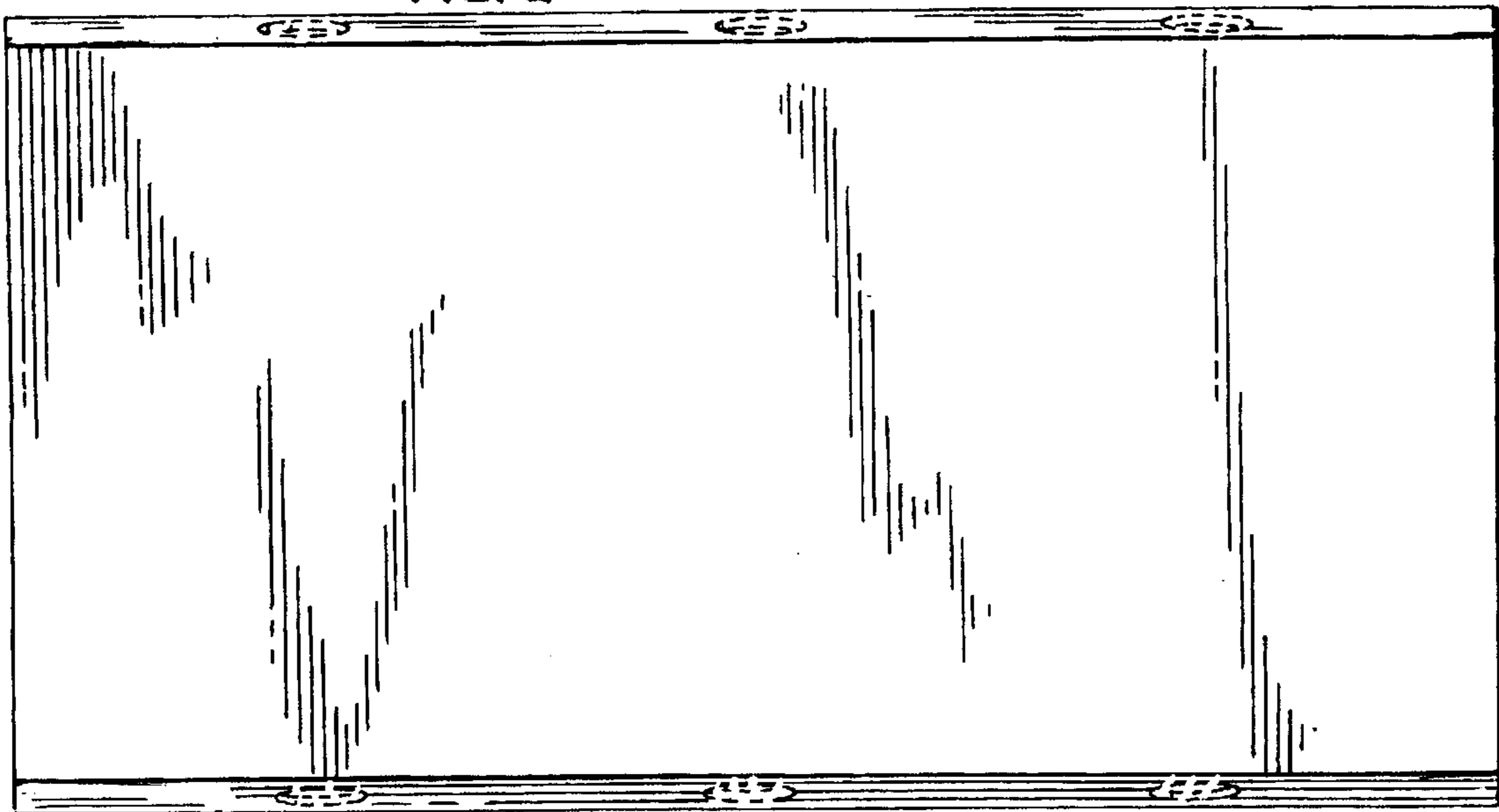


FIG. 3

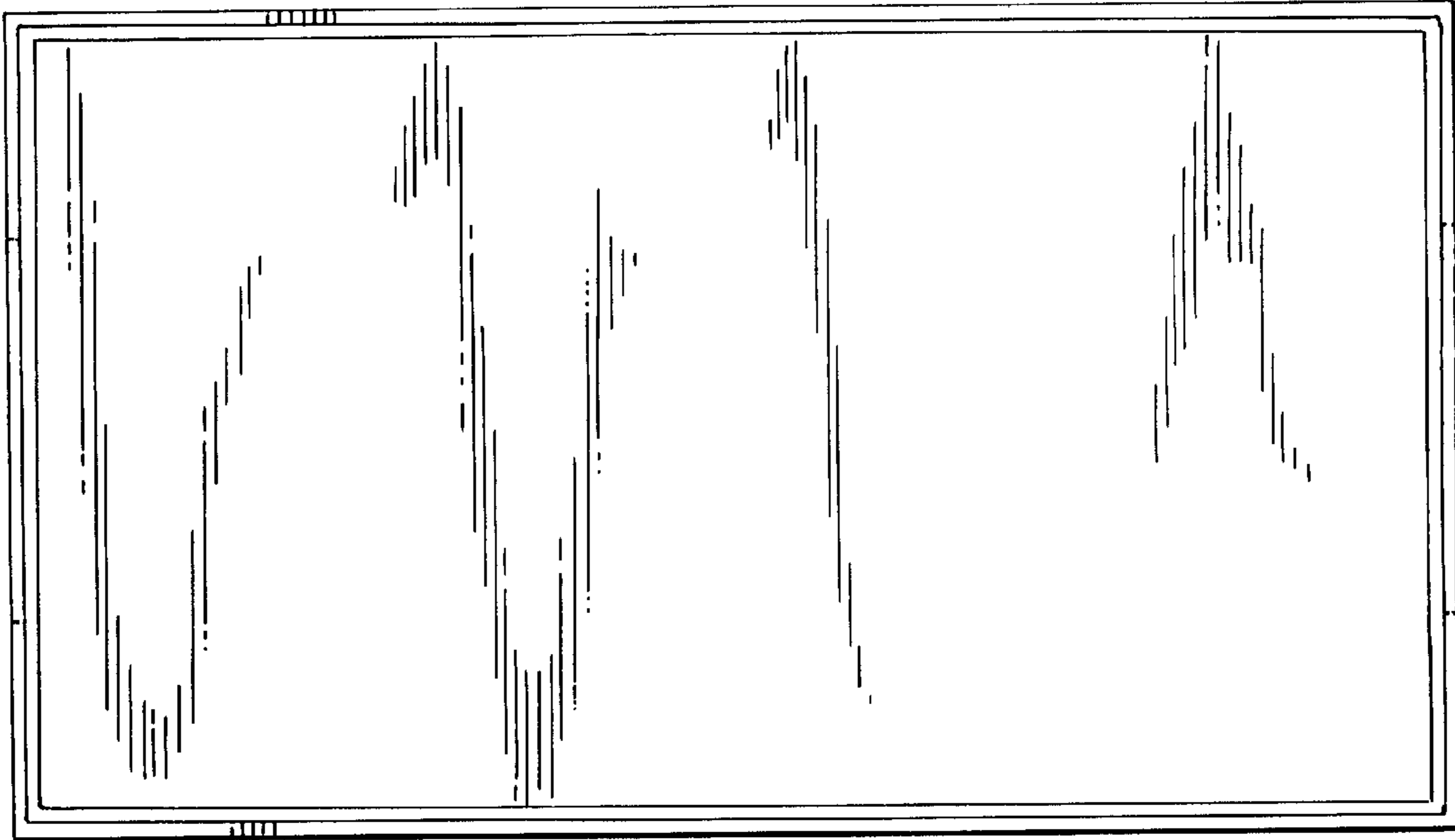


FIG. 4

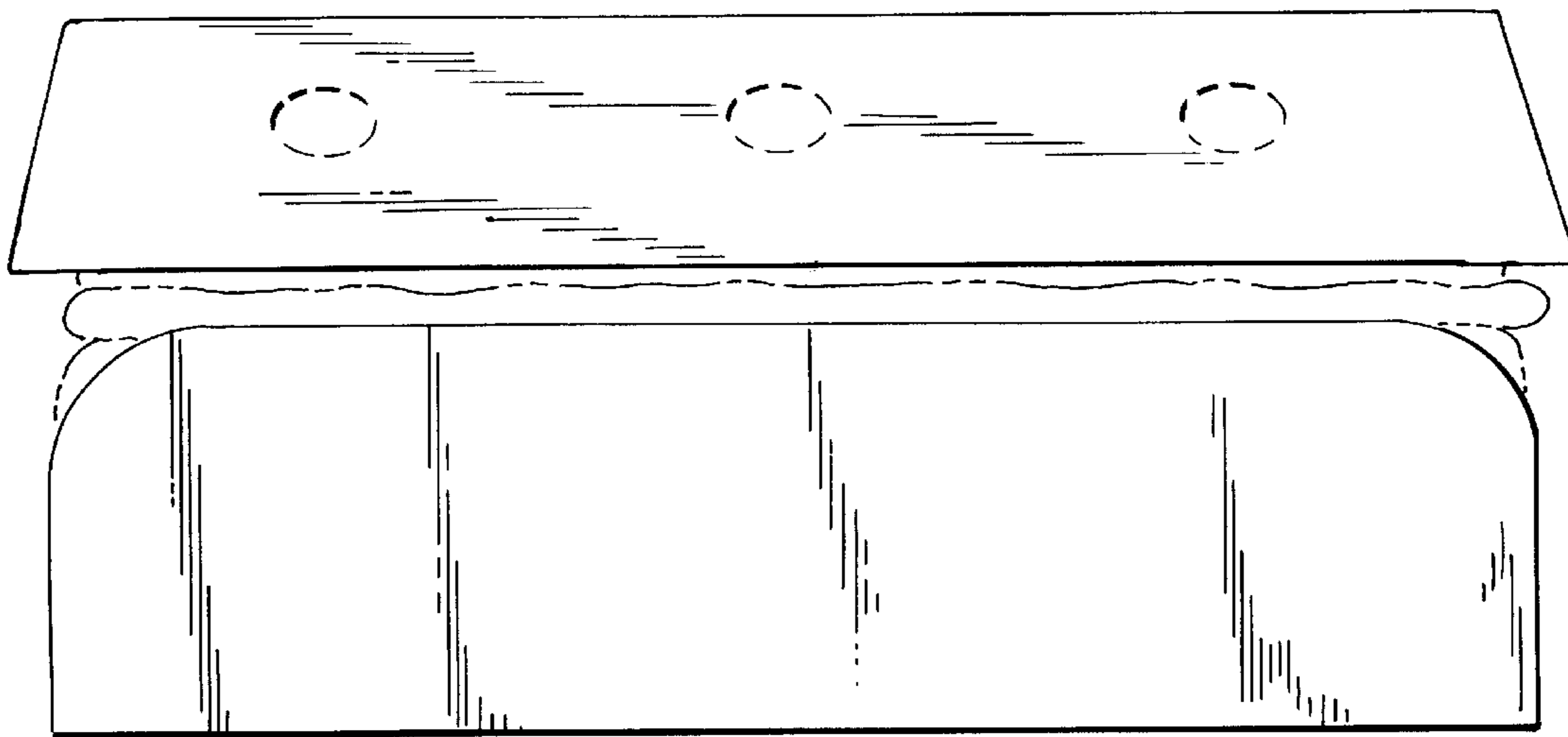


FIG. 5

