



US00D535872S

(12) **United States Design Patent**
Smith

(10) **Patent No.:** **US D535,872 S**

(45) **Date of Patent:** **** Jan. 30, 2007**

(54) **ANCHOR PIN FOR SECURING BEDSKIRTS**

5,370,487 A * 12/1994 Kracke 411/485
5,704,082 A * 1/1998 Smith 5/493

(76) Inventor: **Catherine V. Smith**, 4244 E. 131st Pl.,
Thornton, CO (US) 80241

* cited by examiner

(**) Term: **14 Years**

Primary Examiner—Holly H. Baynham

(74) *Attorney, Agent, or Firm*—Catherine V. Smith

(21) Appl. No.: **29/254,840**

(57) **CLAIM**

(22) Filed: **Mar. 1, 2006**

The ornamental design for an anchor pin for securing
bedskirts, as shown and described.

(51) **LOC (8) Cl.** **08-08**

(52) **U.S. Cl.** **D8/389**

(58) **Field of Classification Search** D8/388–389;
D19/65, 86, 90; 411/439, 473, 480, 481–488;
5/493; 24/711.3, 706

DESCRIPTION

See application file for complete search history.

FIG. 1 is a Front elevational view of a anchor pin showing
my new design:

FIG. 2 is a left side view thereof:

FIG. 3 is a top elevational view thereof:

FIG. 4 is a left side, bottom perspective view thereof:

FIG. 5 is a right side elevational view thereof; and,

FIG. 6 is a left side, top perspective view I claim.

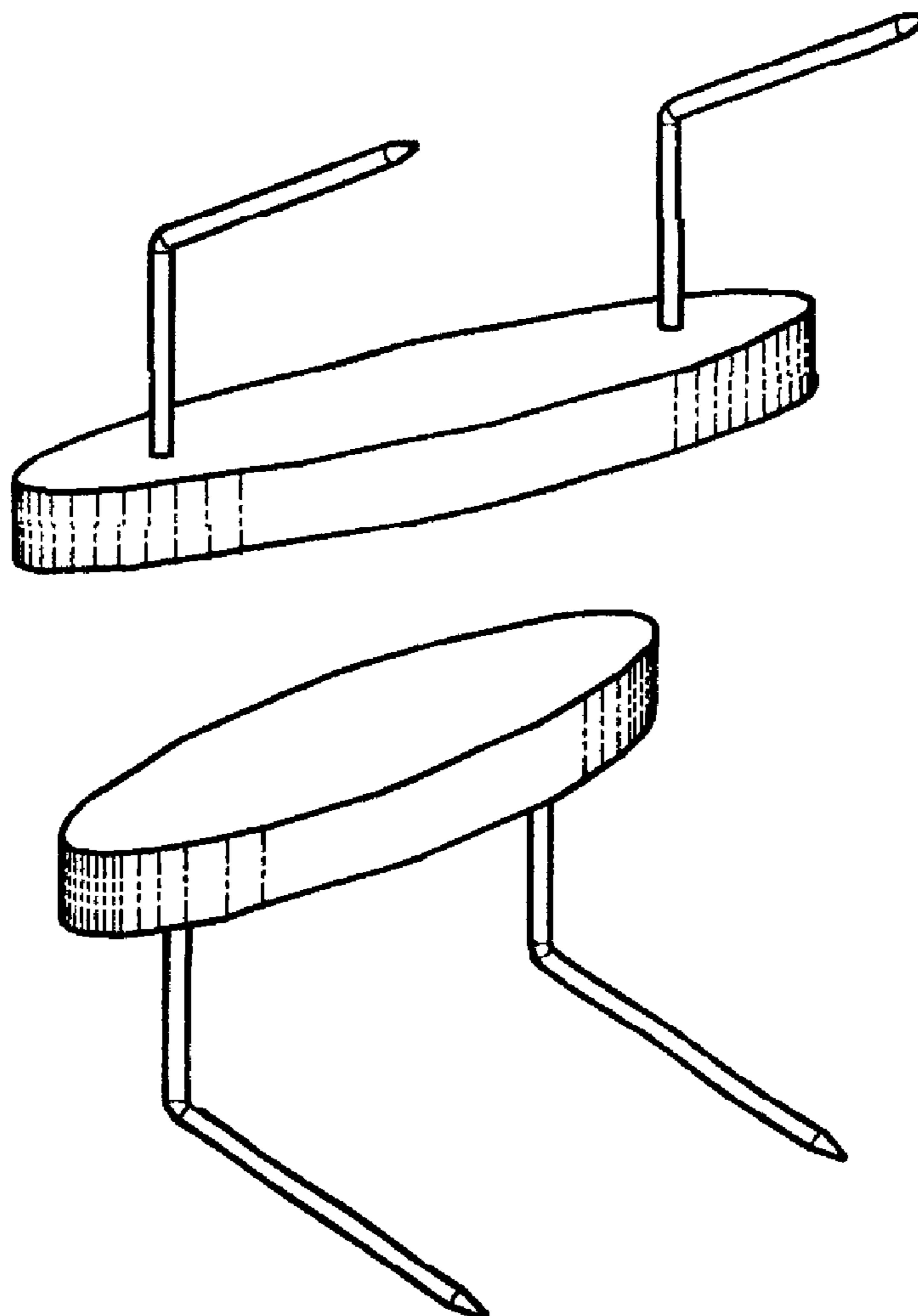
The broken lines are for illustrative purposes and form no
part of the claimed design.

(56) **References Cited**

U.S. PATENT DOCUMENTS

D21,112 S * 10/1891 McGill D19/65
816,095 A * 3/1906 House 411/473
1,306,279 A * 6/1919 Roland 411/473
2,161,632 A * 6/1939 Nattenheimer 411/473

1 Claim, 1 Drawing Sheet



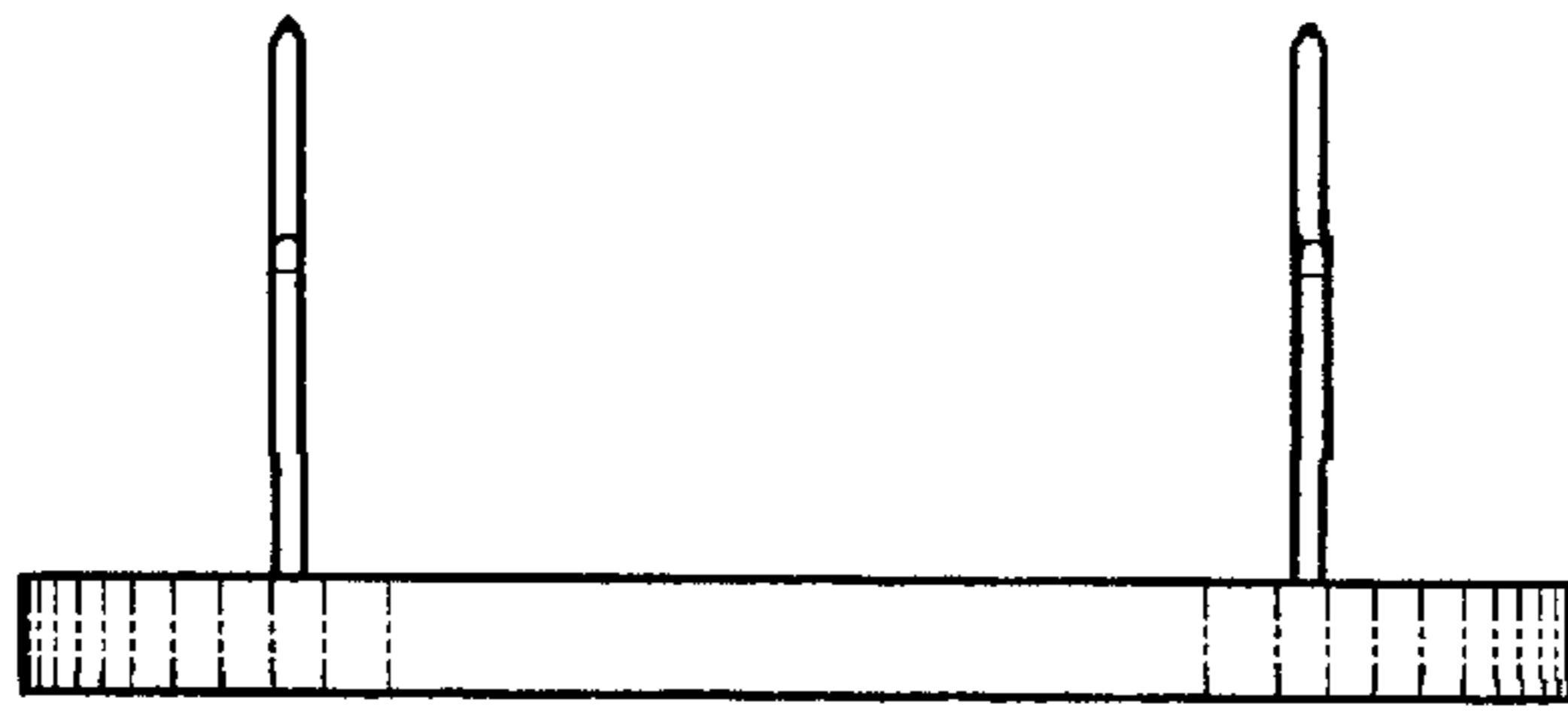


FIG. 1

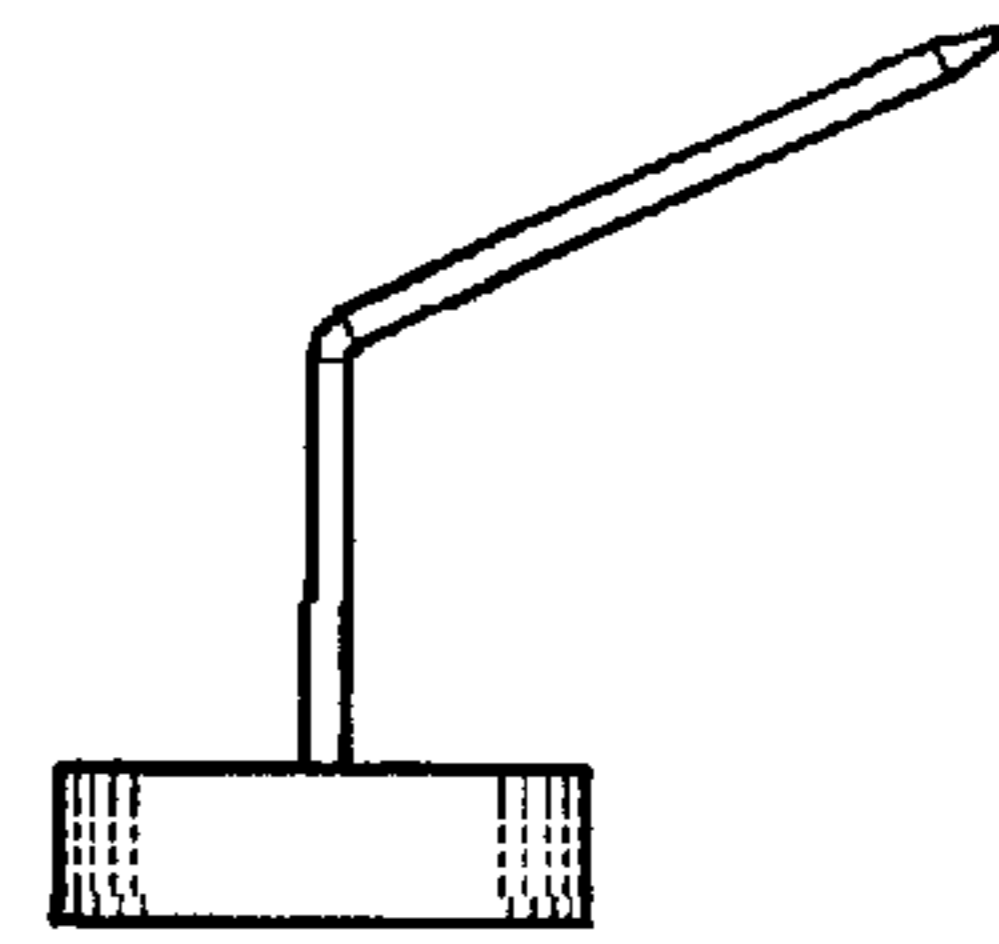


FIG. 2

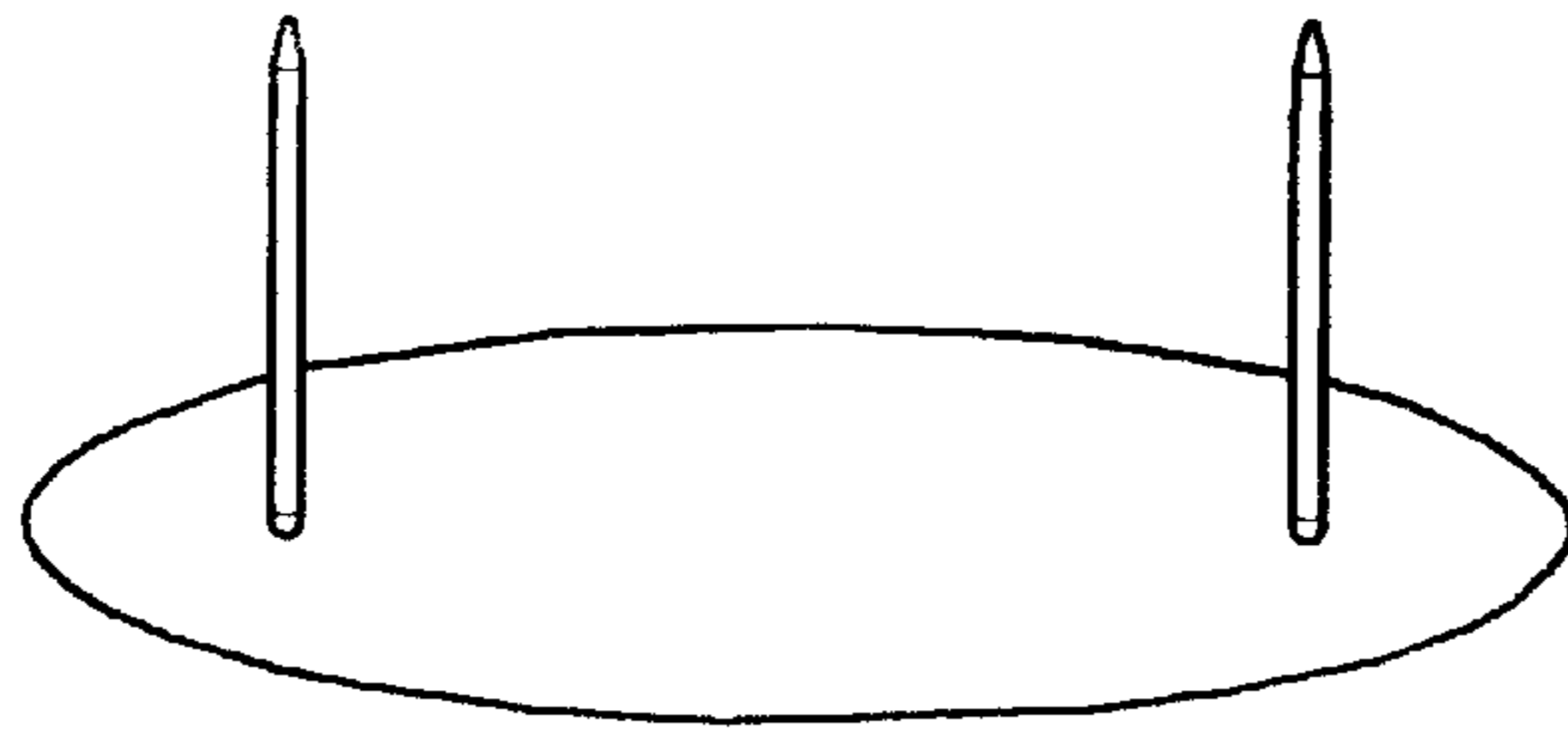


FIG. 3

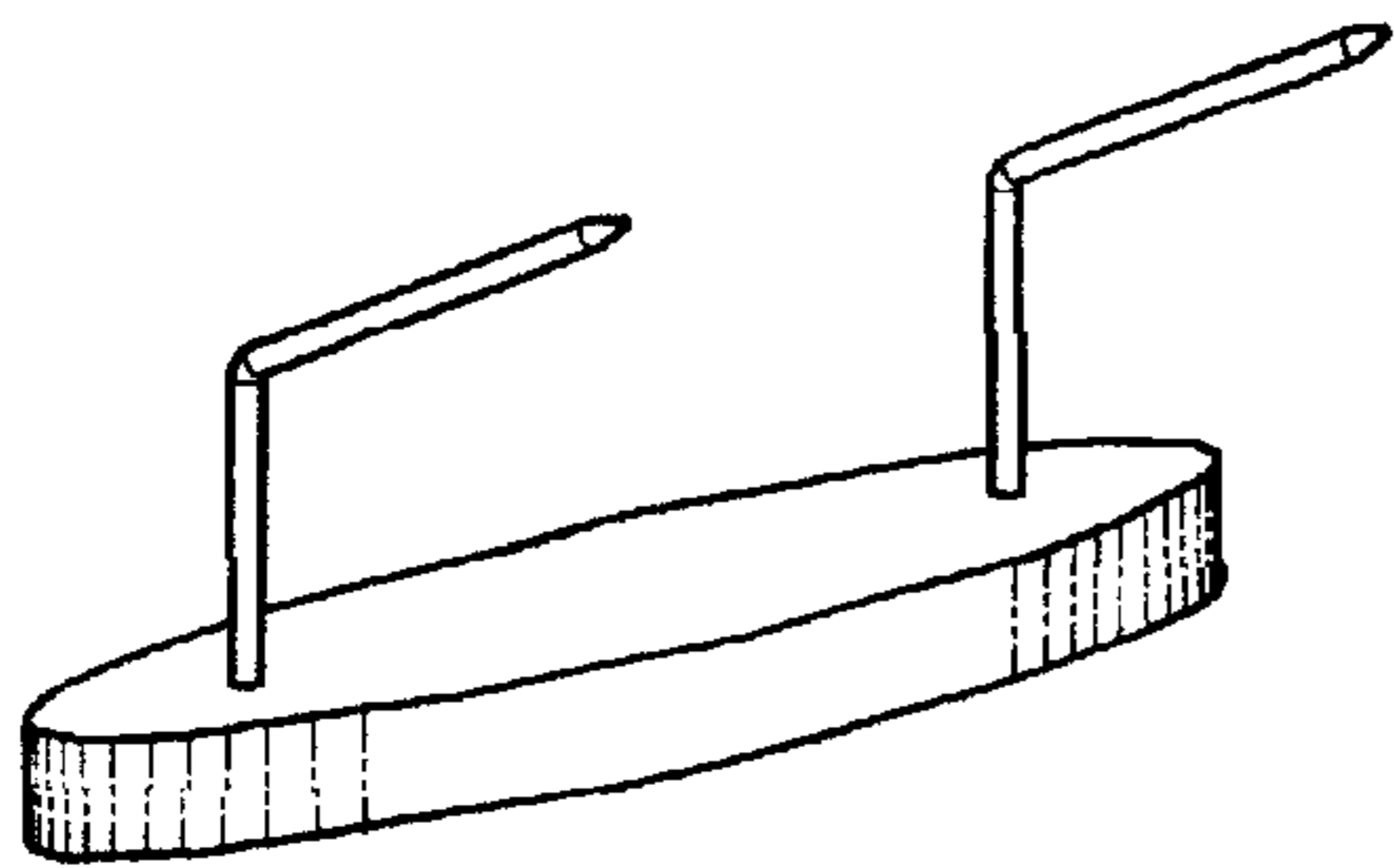


FIG. 4

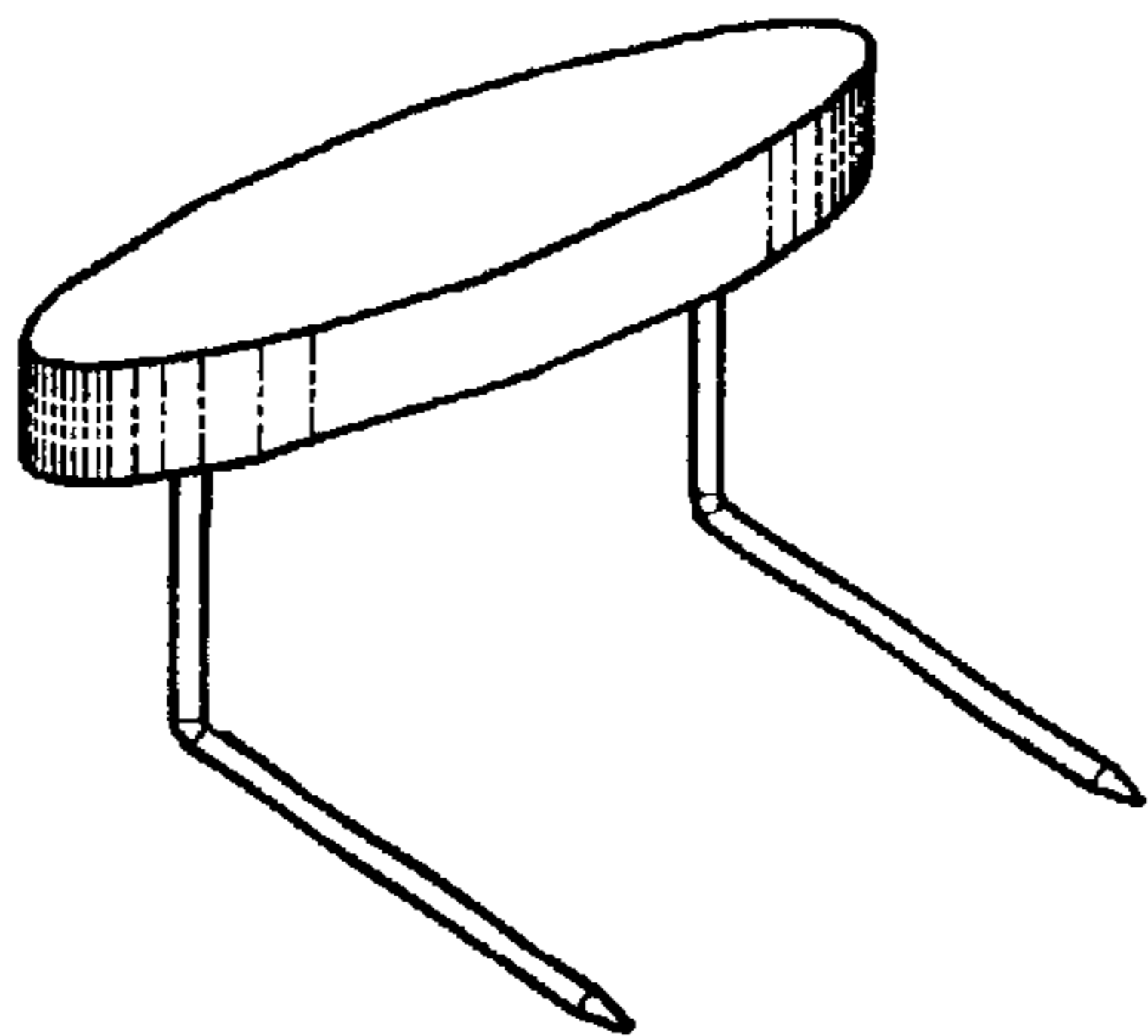


FIG. 6

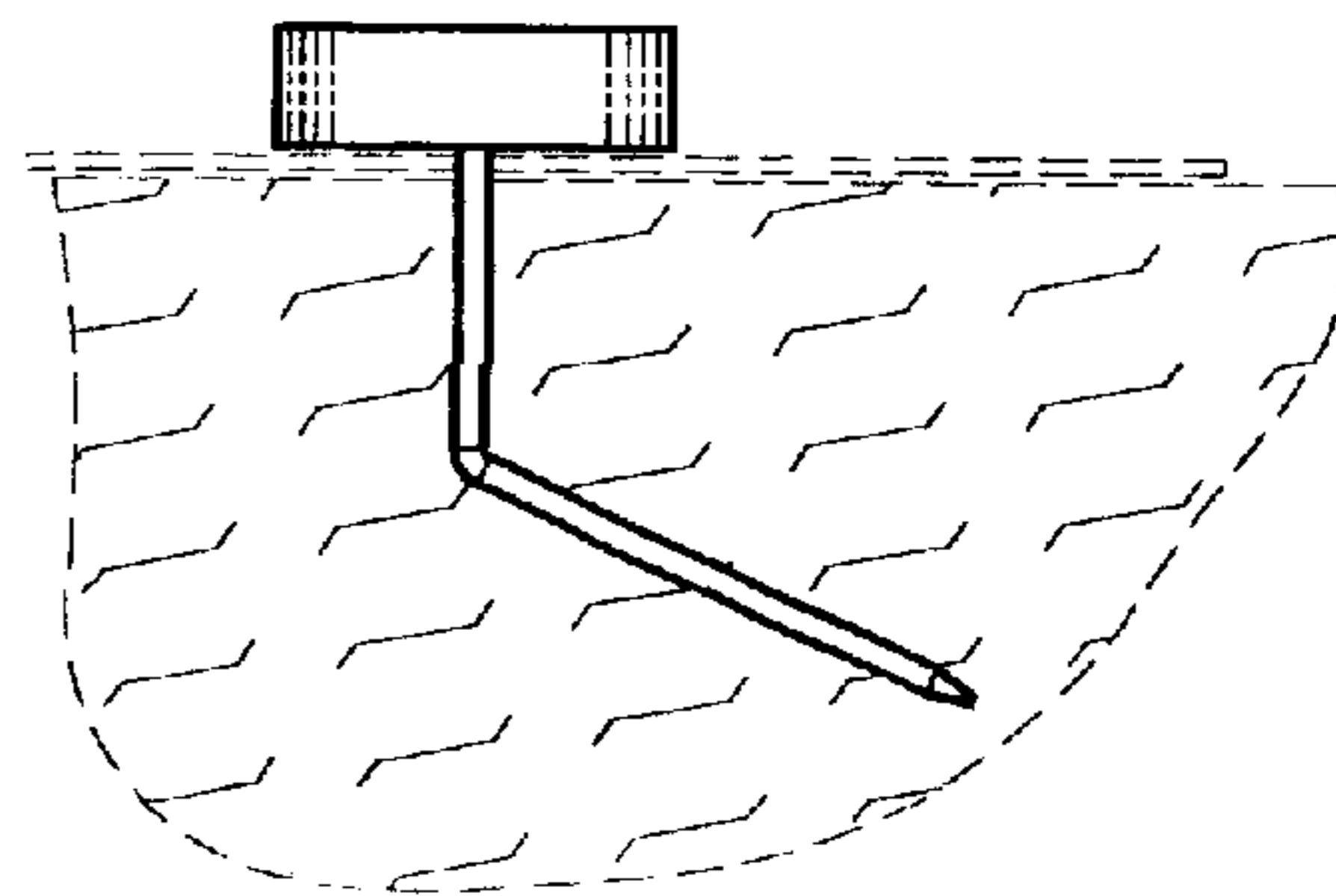


FIG. 5