

US00D535870S

(12) **United States Design Patent**
Yoshiguchi

(10) **Patent No.:** **US D535,870 S**
(45) **Date of Patent:** **** Jan. 30, 2007**

(54) **CORD LOCK**

DESCRIPTION

(75) Inventor: **Manabu Yoshiguchi**, Kamakura (JP)

(73) Assignee: **Nifco Inc.**, Yokohama (JP)

(**) Term: **14 Years**

(21) Appl. No.: **29/222,766**

(22) Filed: **Feb. 4, 2005**

(30) **Foreign Application Priority Data**

Aug. 6, 2004 (JP) 2004-023736

(51) **LOC (8) Cl.** **08-08**

(52) **U.S. Cl.** **D8/383**

(58) **Field of Classification Search** D8/383;
24/115 H, 115 G, 265

See application file for complete search history.

(56) **References Cited**

U.S. PATENT DOCUMENTS

D328,241 S * 7/1992 Longstreet D8/383

6,334,240 B1 * 1/2002 Li 24/115 G

D454,777 S * 3/2002 Yoshiguchi D8/383

* cited by examiner

Primary Examiner—Holly H. Baynham

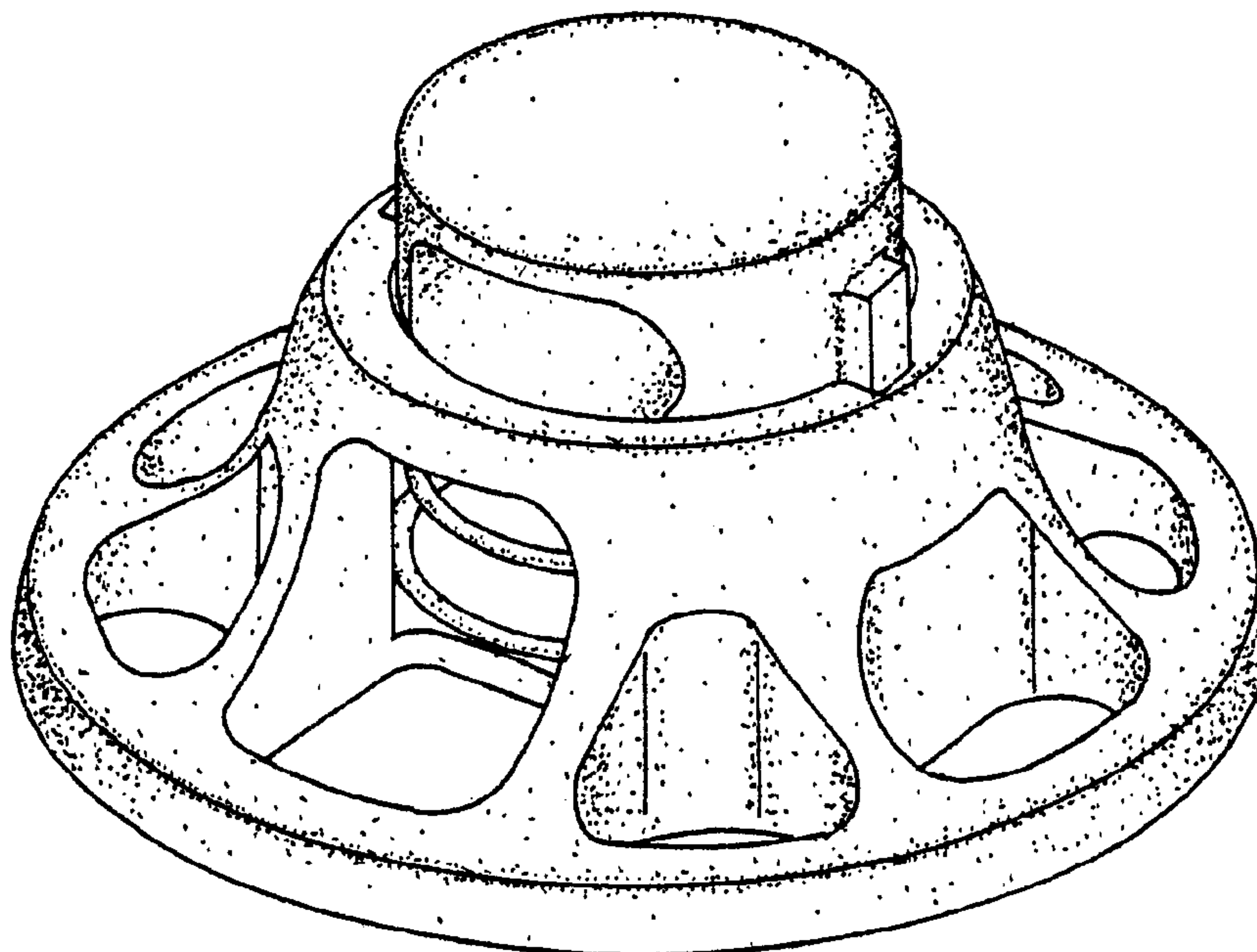
(74) *Attorney, Agent, or Firm*—Manabu Kanesaka

(57) **CLAIM**

The ornamental design for a cord lock, as shown and described.

FIG. 1 is a front view of a cord lock showing my new design; FIG. 2 is a plan view thereof; FIG. 3 is a right side view thereof, a left side view being symmetrical to the right side view; FIG. 4 is a bottom view thereof; FIG. 5 is a rear view thereof; FIG. 6 is a sectional view taken along line 6—6 in FIG. 1; FIG. 7 is a sectional view taken along line 7—7 in FIG. 1; FIG. 8 is a front view of a male member of the cord lock; FIG. 9 is a plan view of the male member, a bottom view of the male member being symmetrical to the plan view of the male member; FIG. 10 is a right side view of the male member, a left side view of the male member being symmetrical to the right side view of the male member; FIG. 11 is a rear view of the male member; FIG. 12 is a front view of a female member of the cord lock; FIG. 13 is a plan view of the female member, a bottom view of the female member being symmetrical to the plan view of the female member; FIG. 14 is a right side view of the female member, a left side view of the female member being symmetrical to the right side view of the female member; FIG. 15 is a rear view of the female member; and FIG. 16 is a perspective view of the cord lock. The elements of the claimed design are shown detached for ease and clarity of illustration.

1 Claim, 6 Drawing Sheets



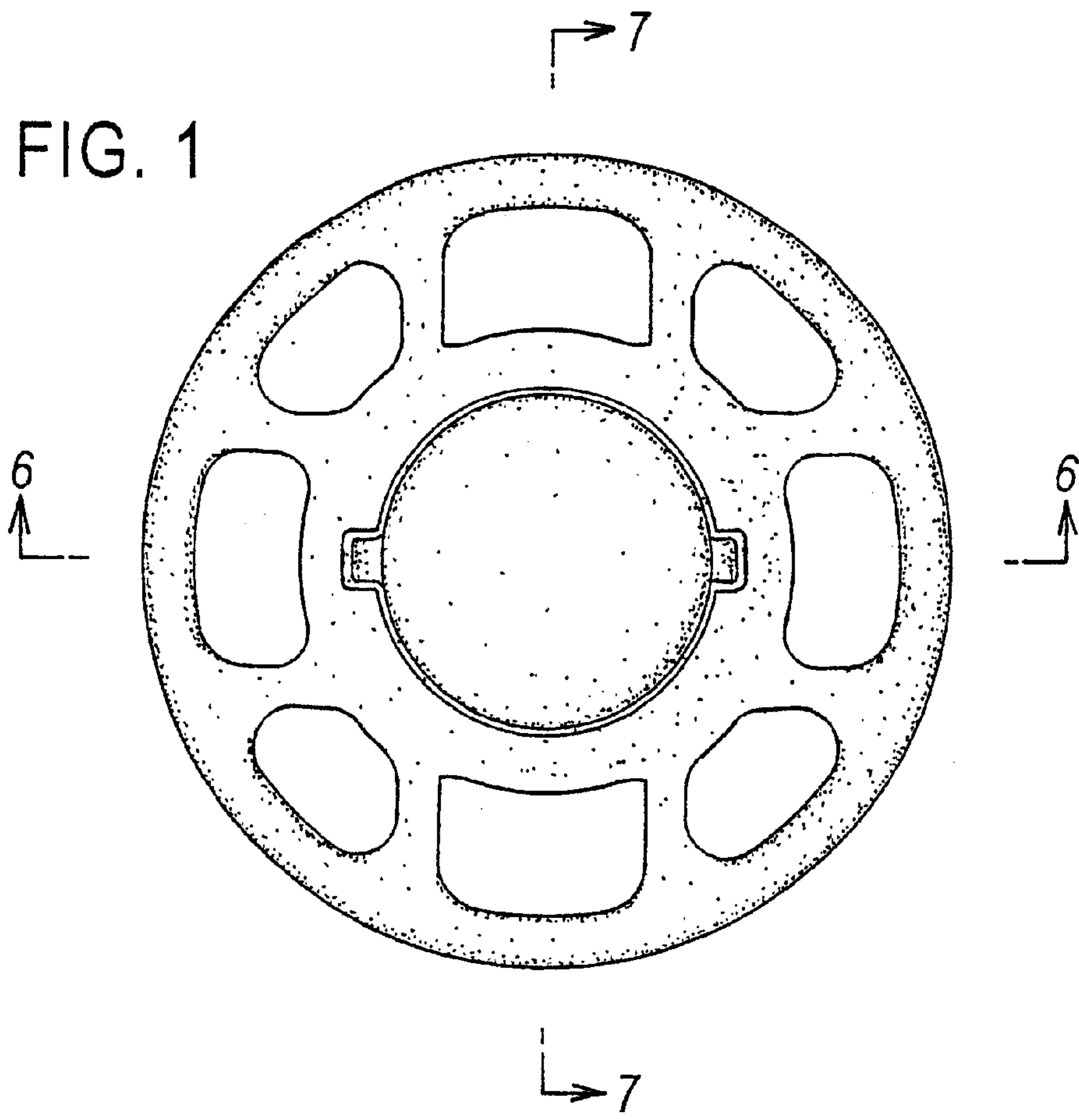


FIG. 2

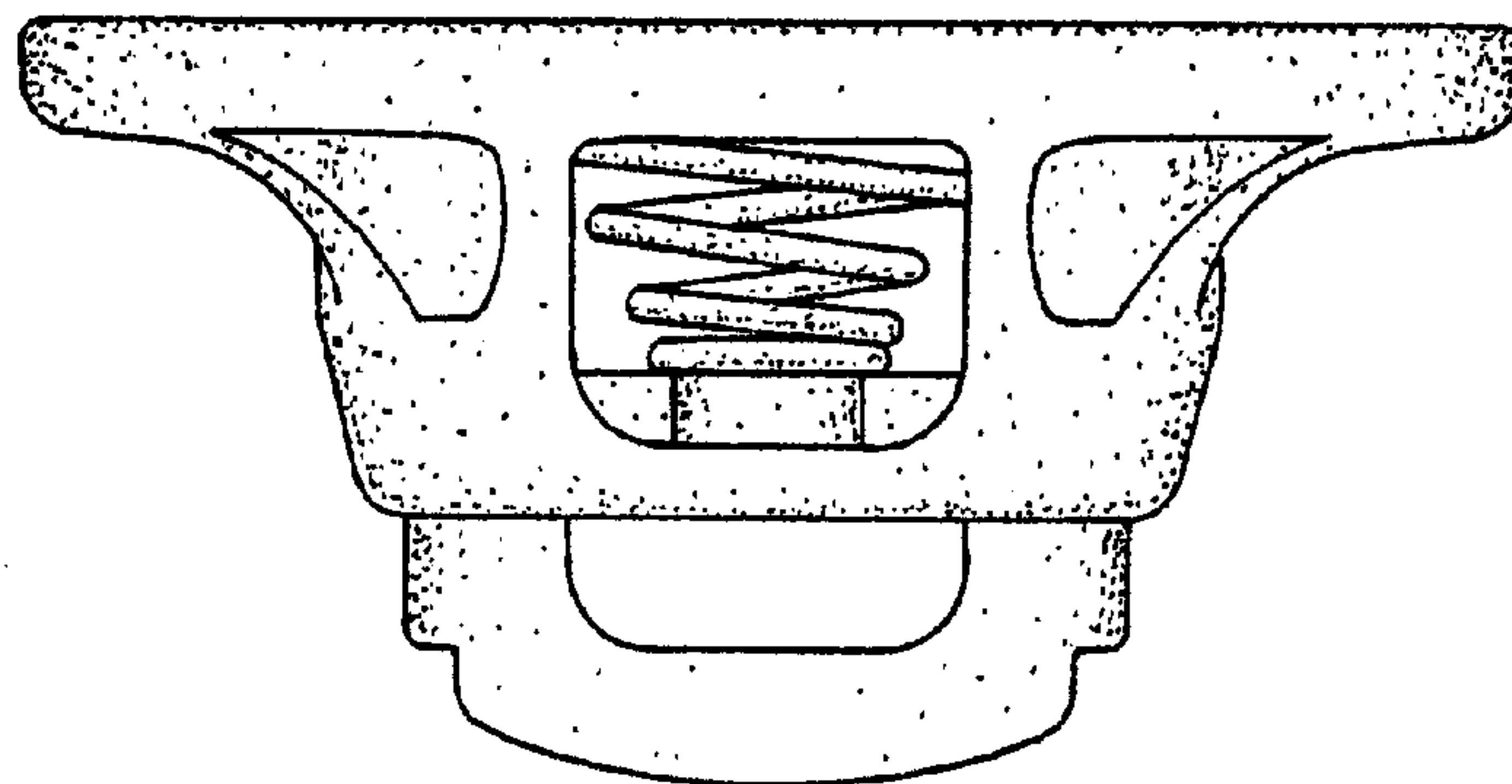


FIG. 3

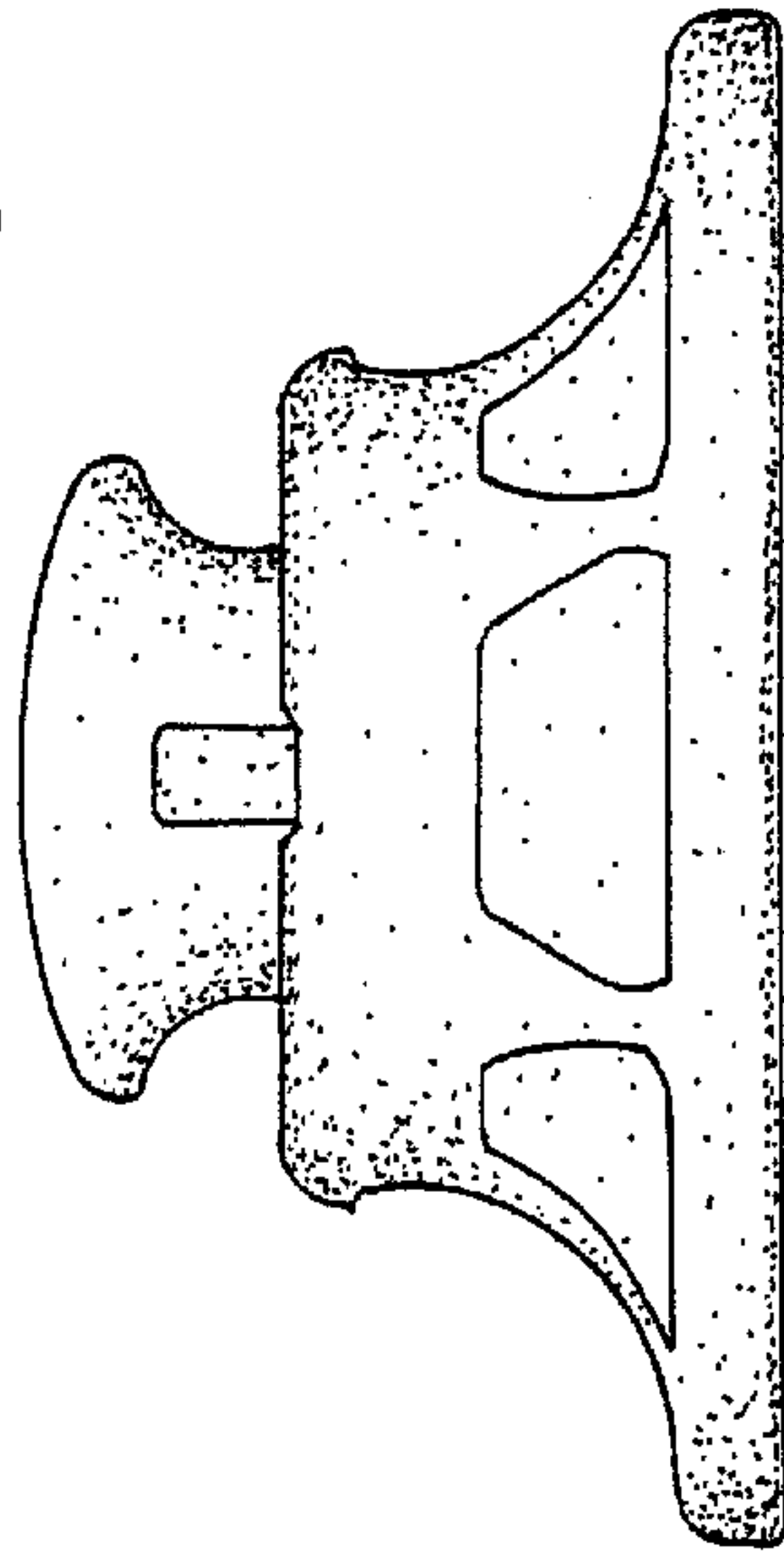


FIG. 4

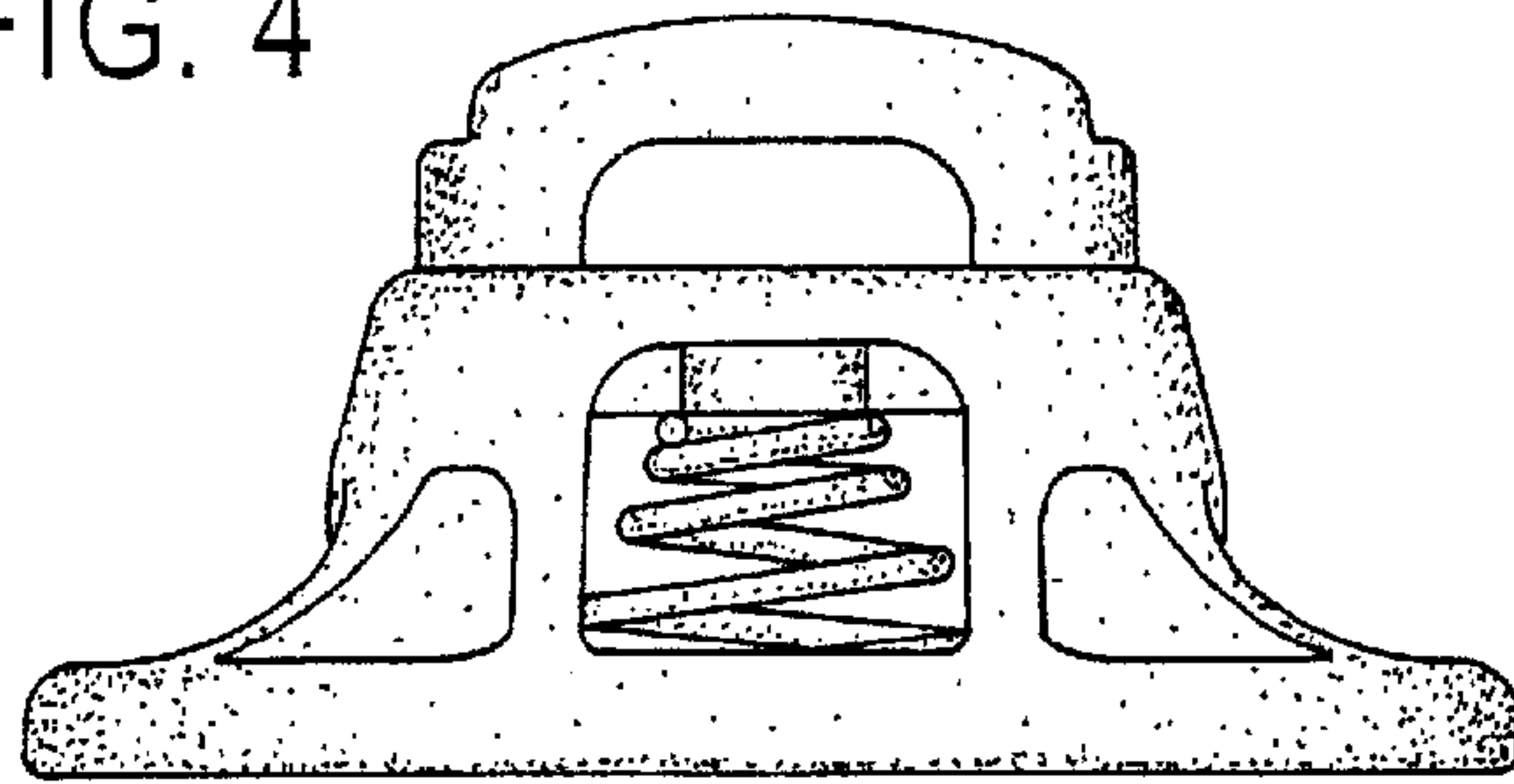


FIG. 5

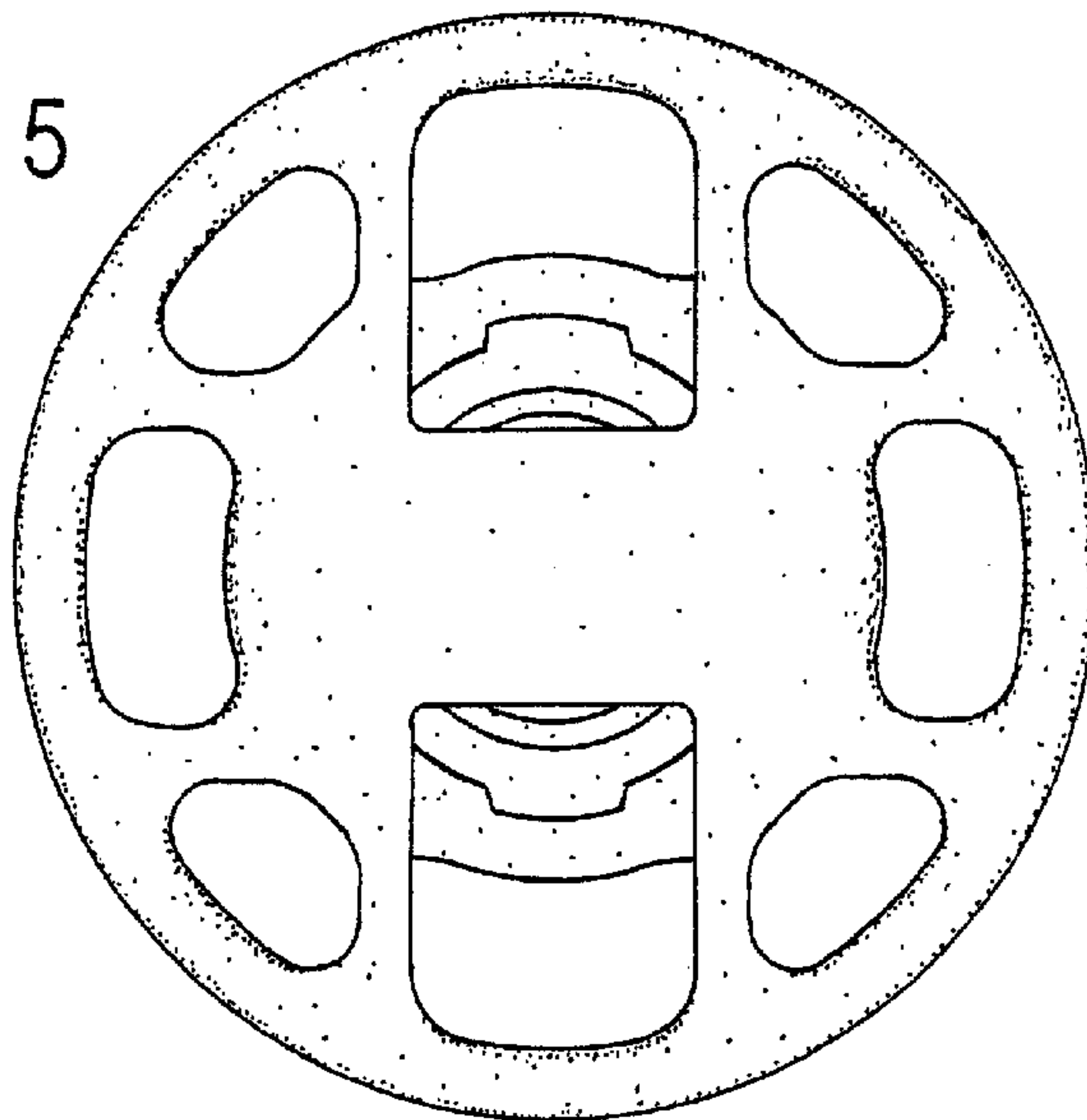


FIG. 6

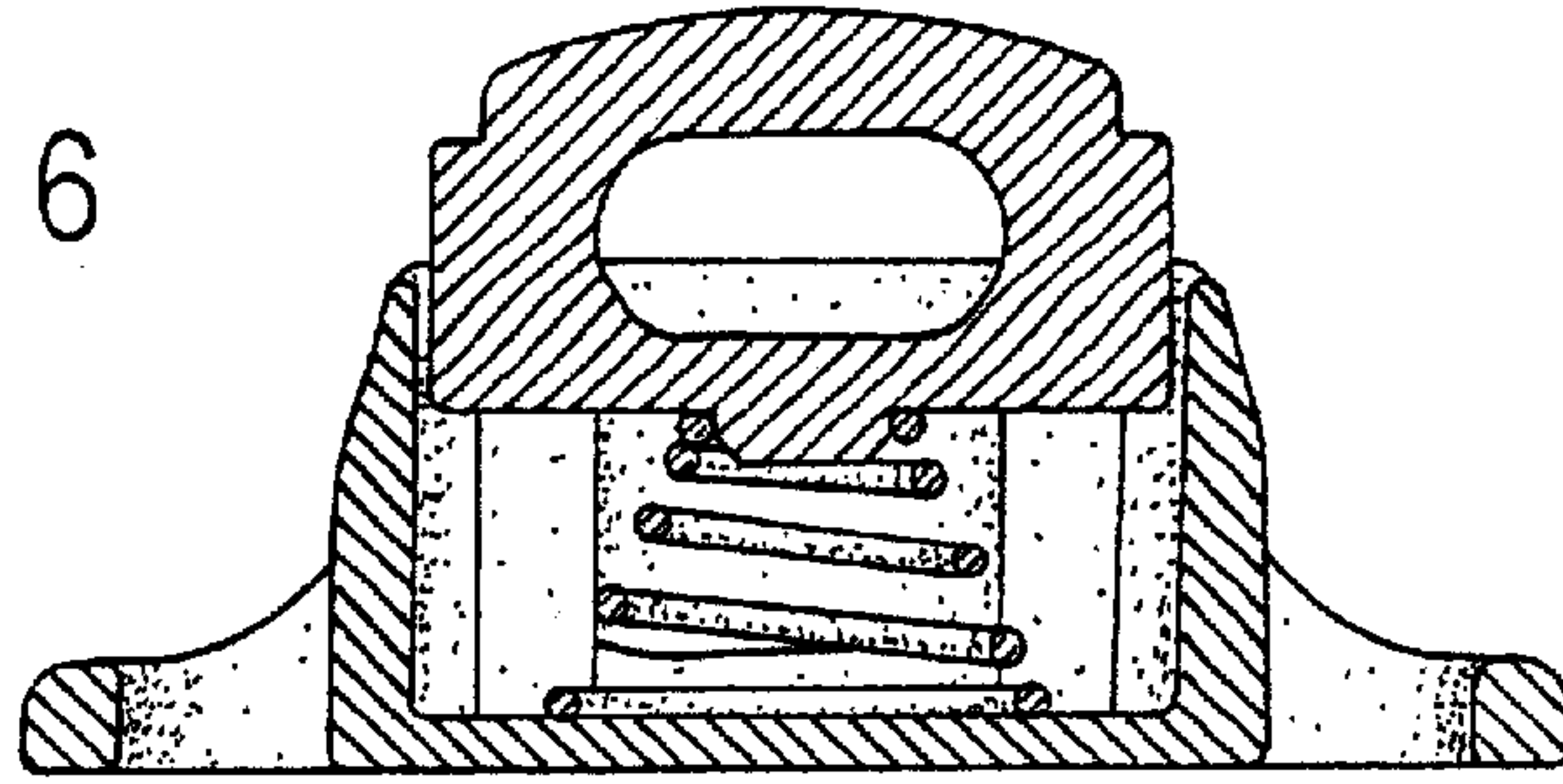


FIG. 7

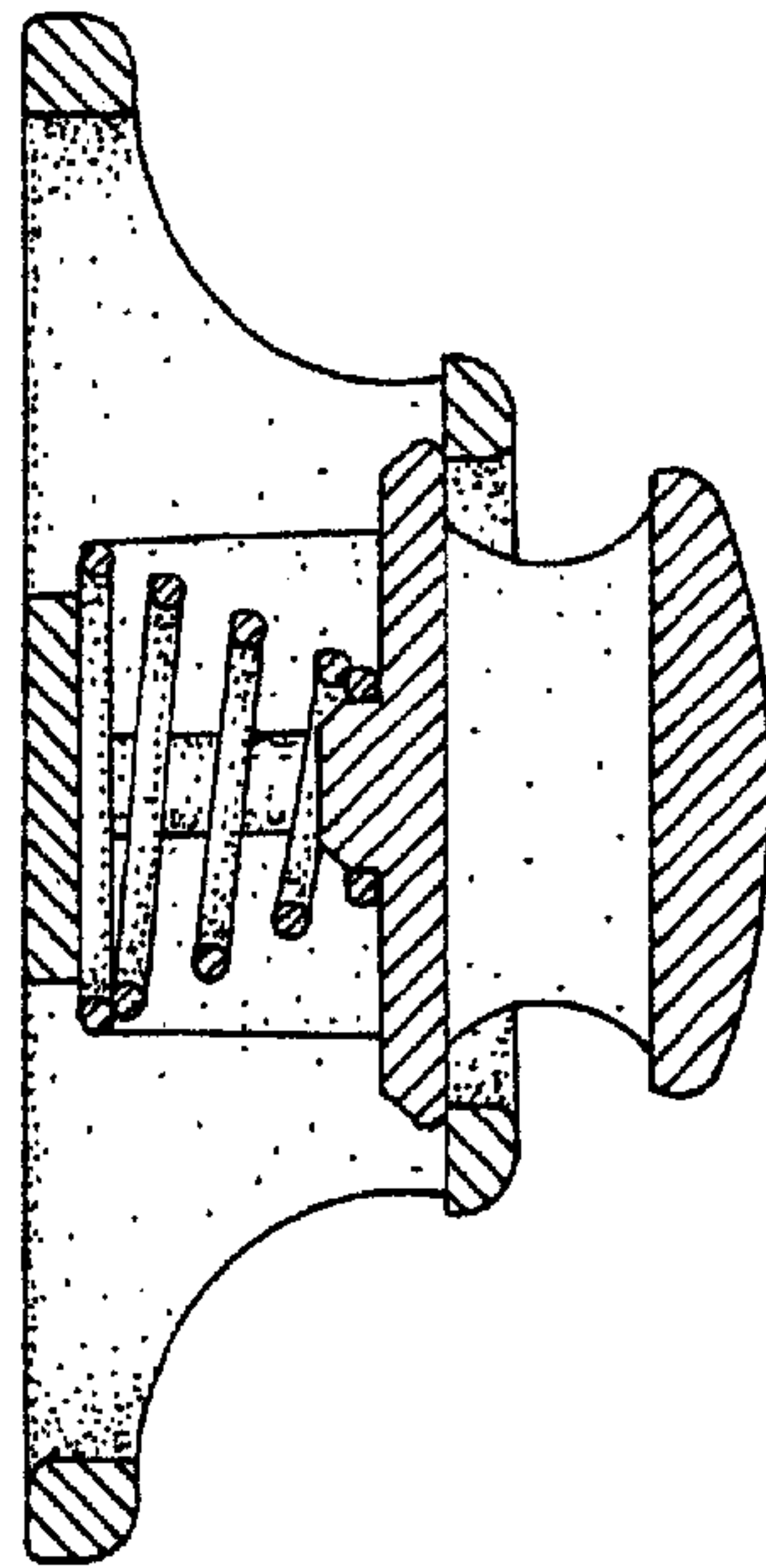


FIG. 8

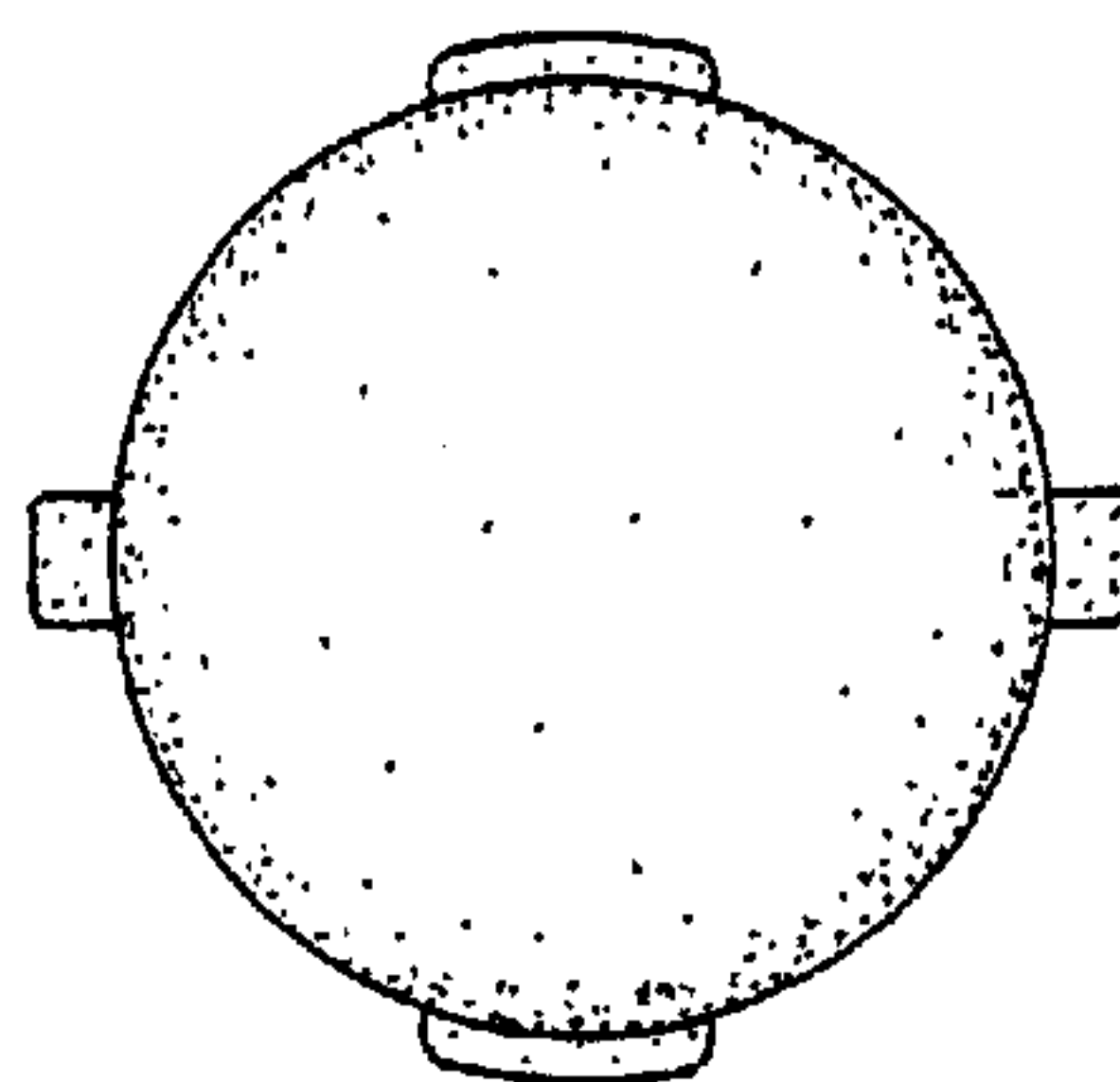


FIG. 9

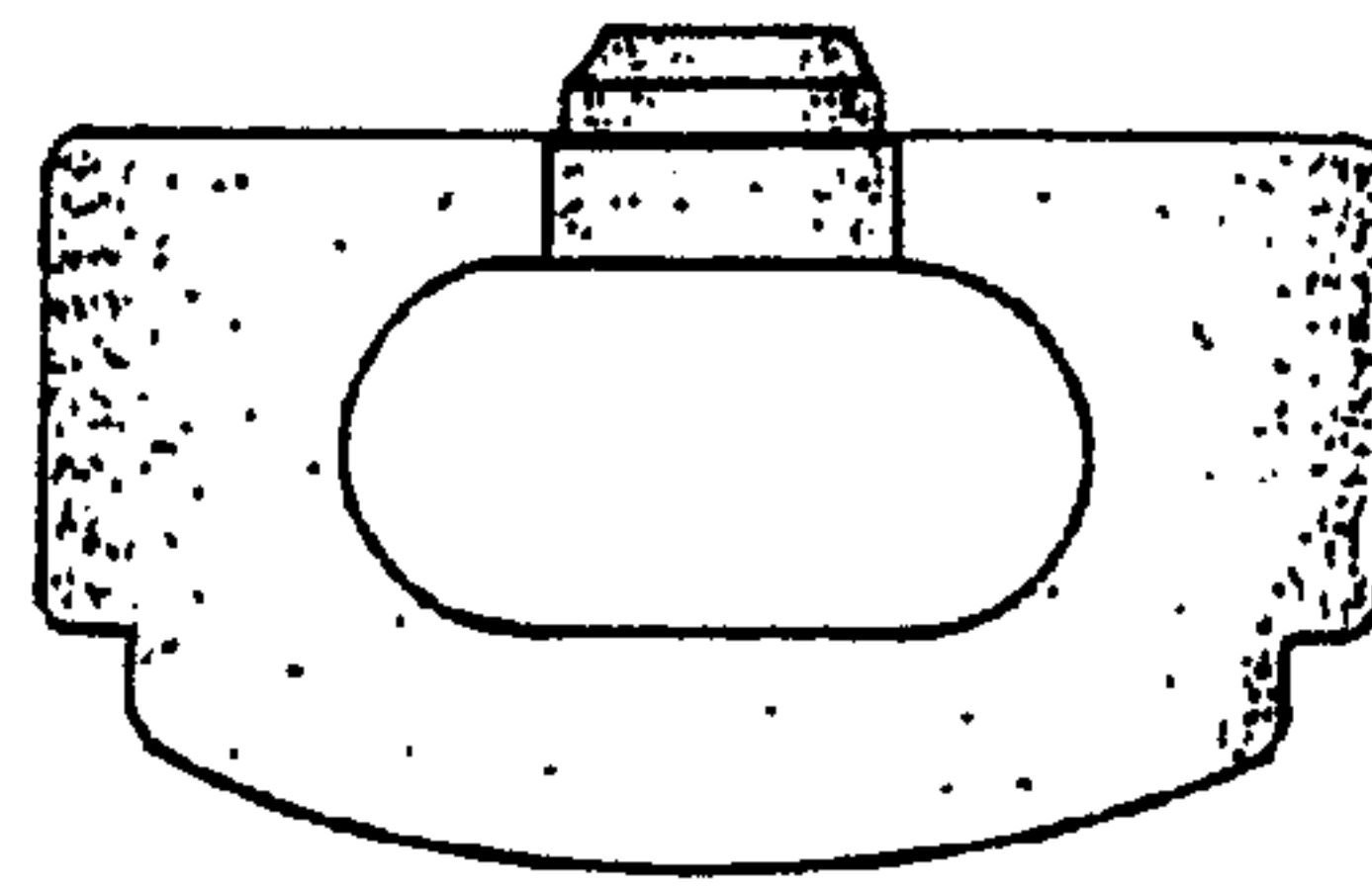


FIG. 10

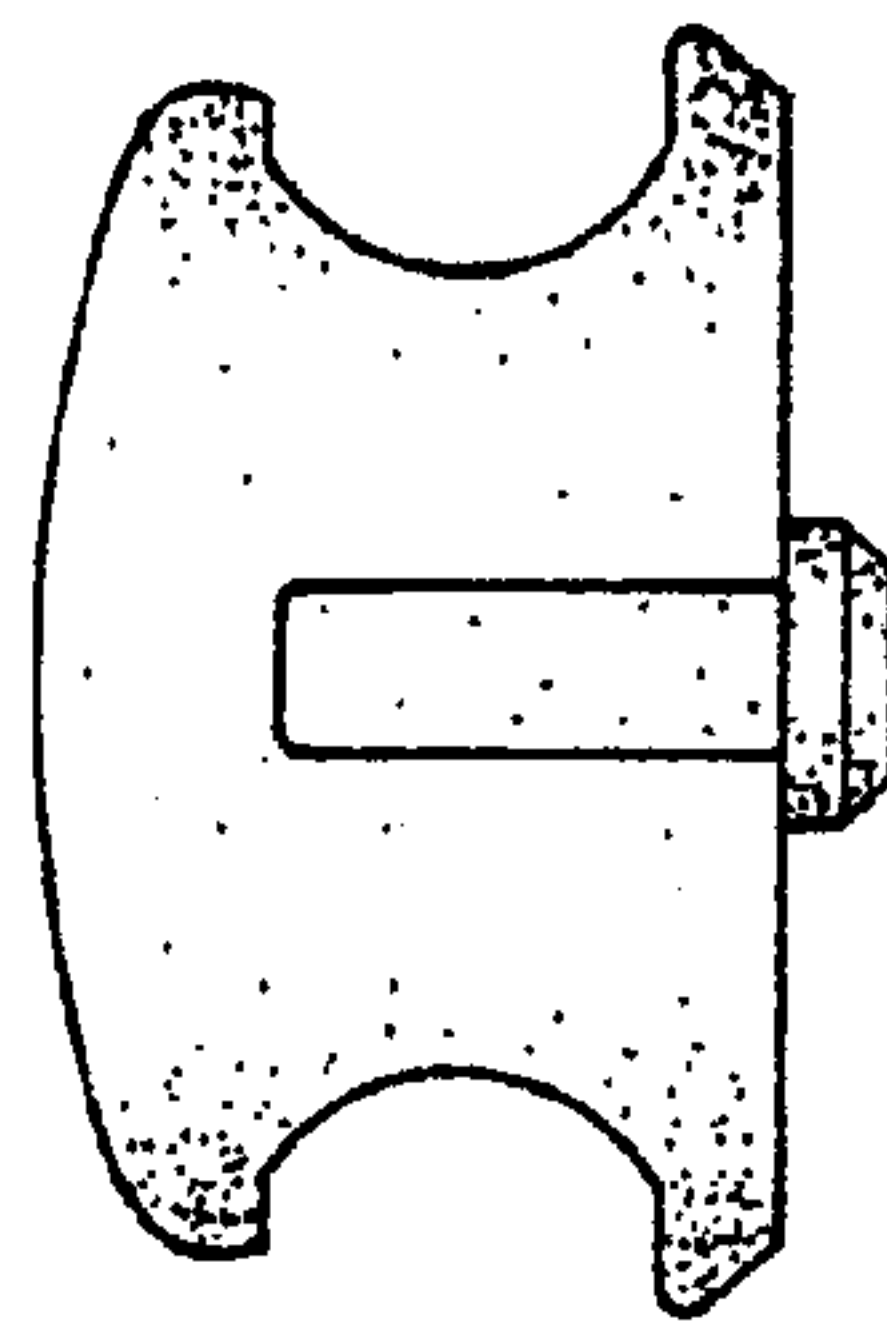


FIG. 11

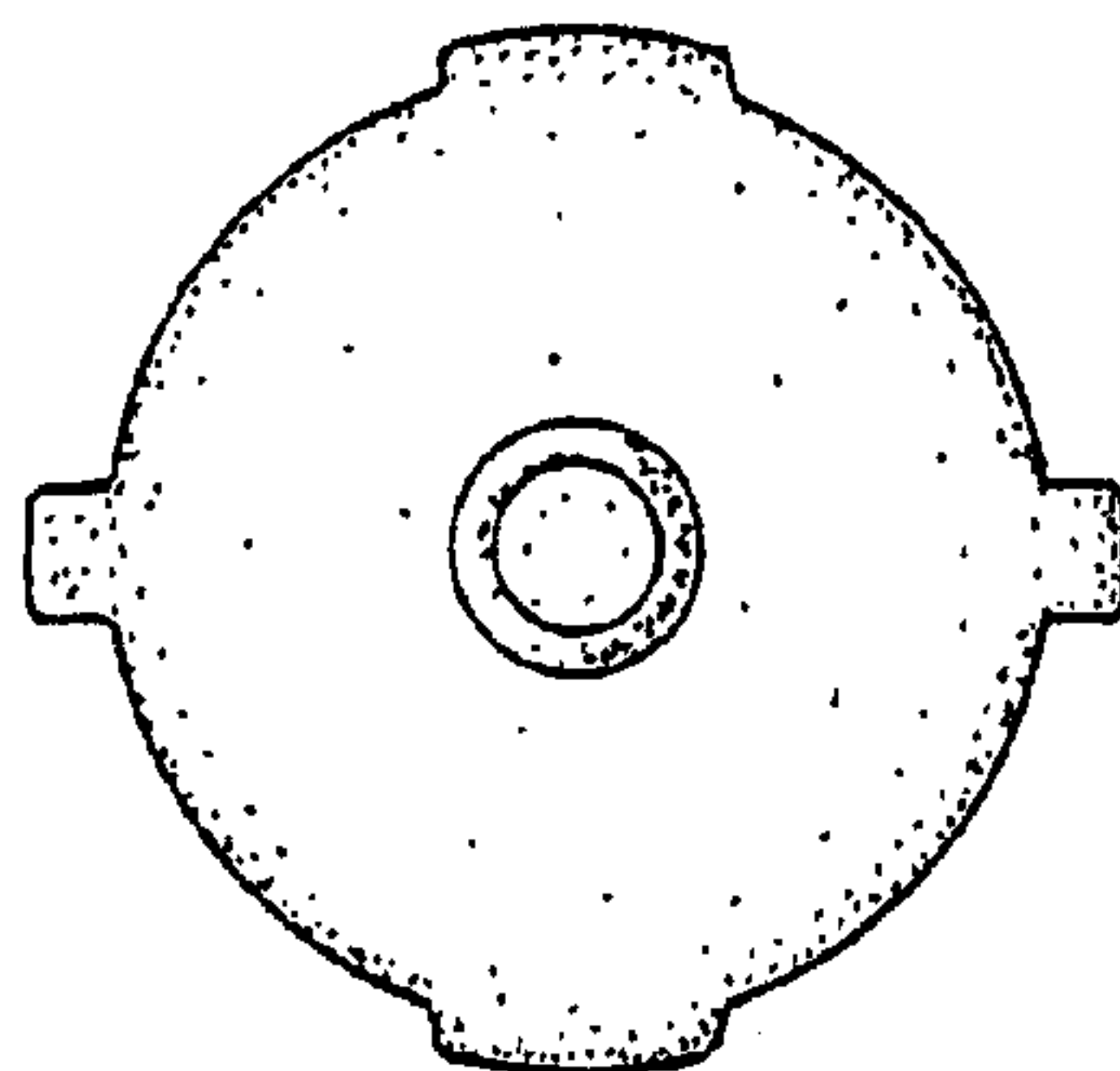


FIG. 12

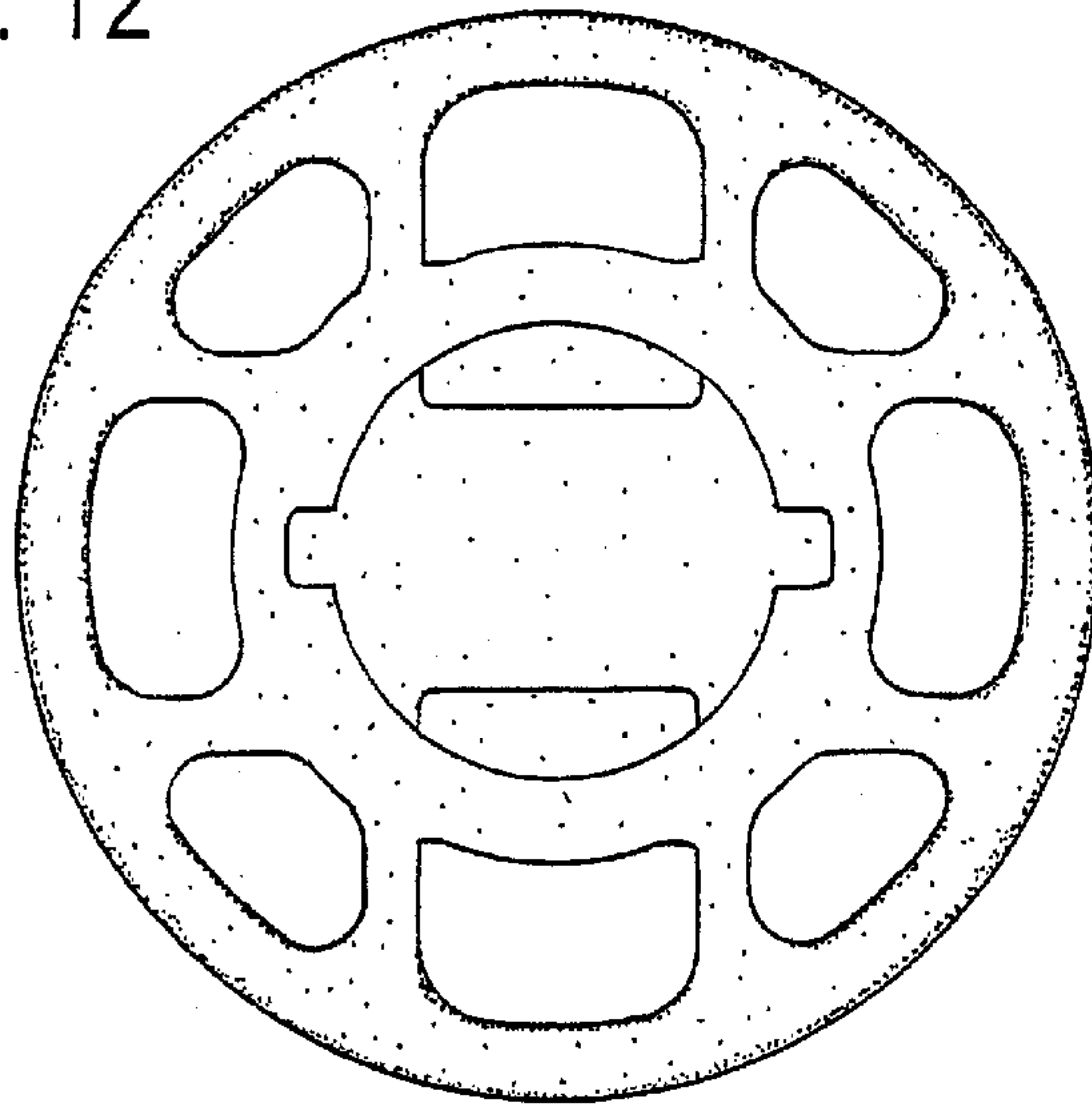


FIG. 13

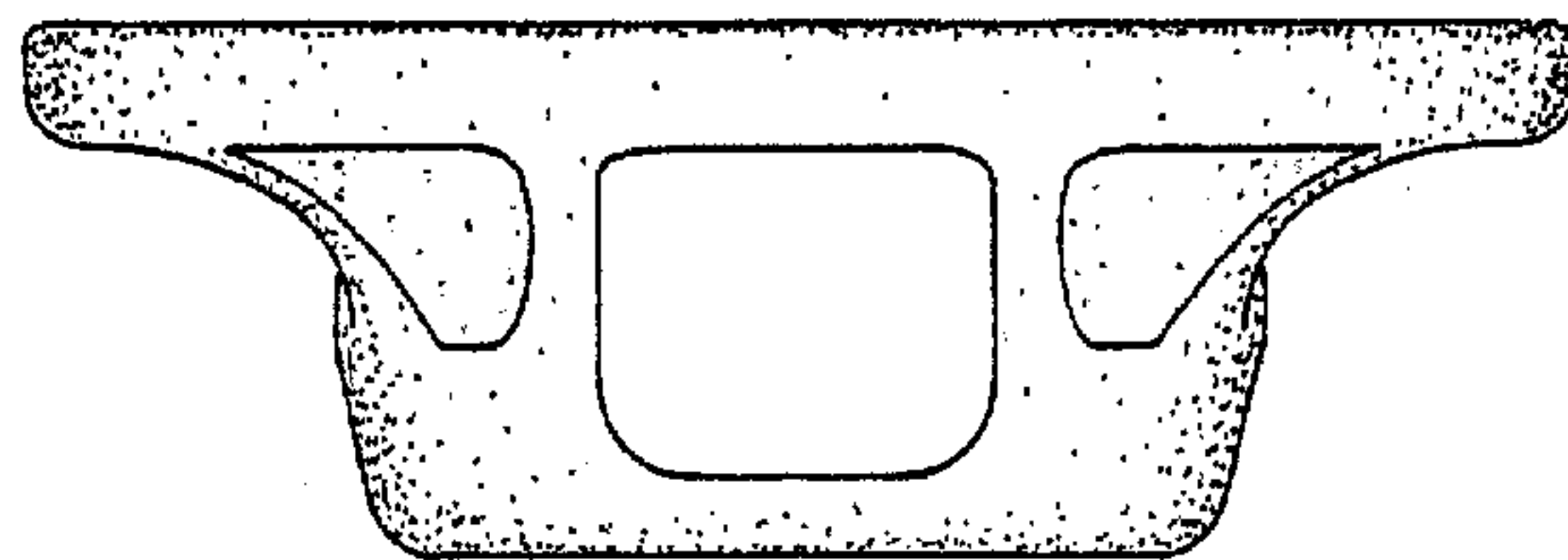


FIG. 14

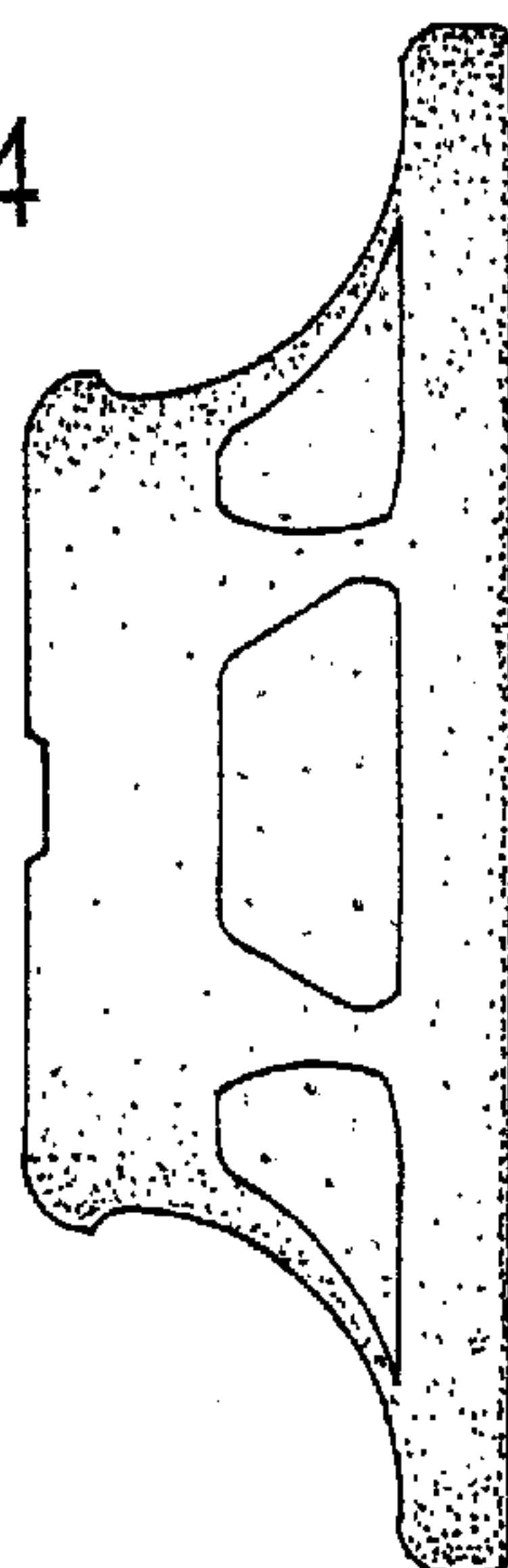


FIG. 15

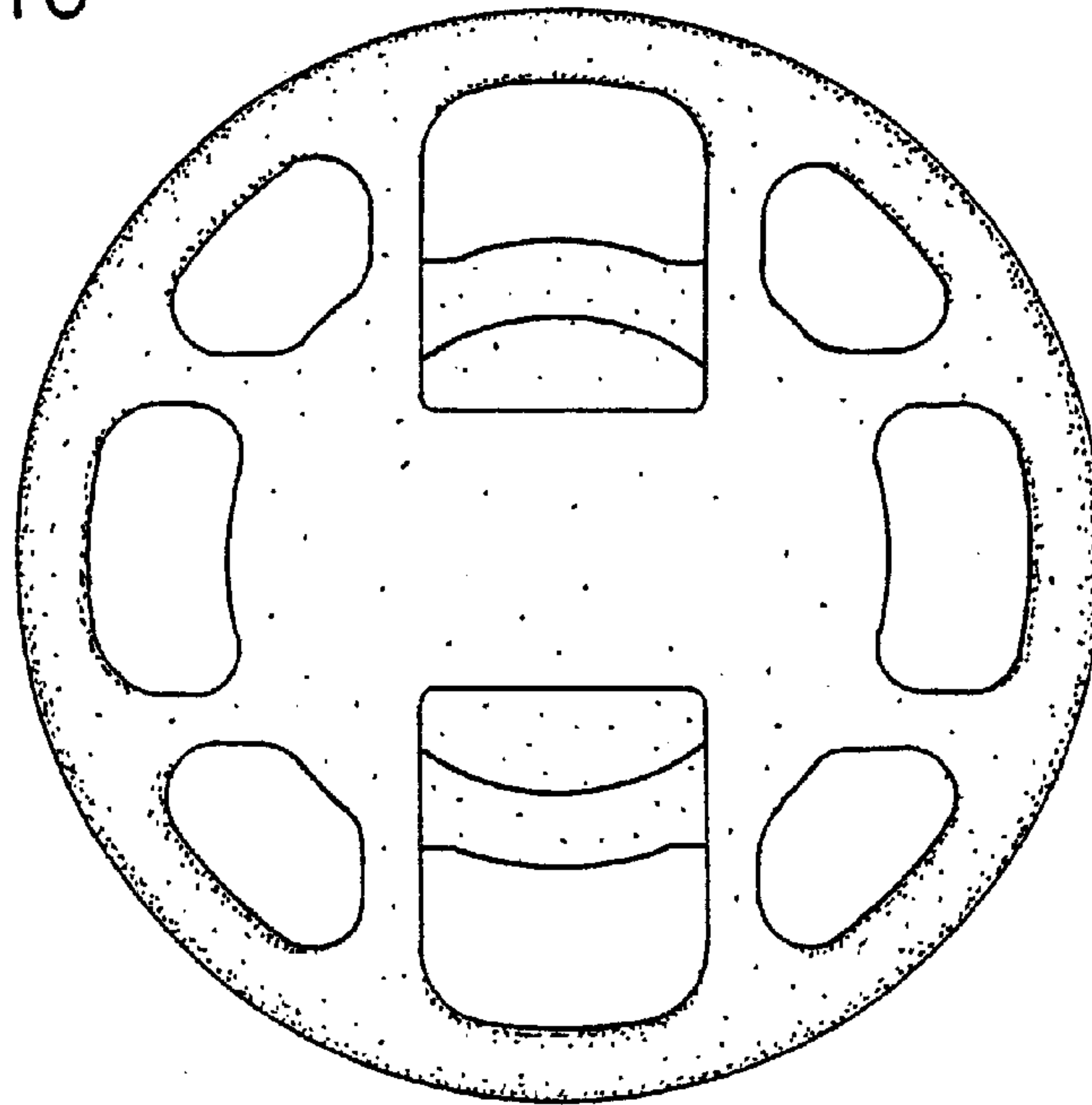


FIG. 16

