



US00D535868S

(12) **United States Design Patent**
Stobart

(10) **Patent No.:** **US D535,868 S**

(45) **Date of Patent:** **** Jan. 30, 2007**

(54) **SOLAR ROTATING HANGER**

(75) Inventor: **Jonathan Stobart**, 2 Tubney Warren
Barns, Tubney, Oxfordshire, OX13 5QJ
(GB)

(73) Assignees: **Jonathan Stobart; Smart Solar
Limited**

(**) Term: **14 Years**

(21) Appl. No.: **29/226,660**

(22) Filed: **Apr. 1, 2005**

(51) **LOC (8) Cl.** **08-05**

(52) **U.S. Cl.** **D8/373**

(58) **Field of Classification Search** D8/367,
D8/373; 248/301-304, 215
See application file for complete search history.

(56) **References Cited**

U.S. PATENT DOCUMENTS

5,020,704	A	*	6/1991	Kent	223/96
5,487,517	A	*	1/1996	Smith	248/215
5,503,311	A	*	4/1996	Chen	223/85
D431,451	S	*	10/2000	Kuo	D8/373
D472,795	S	*	4/2003	Saxby	D8/373

* cited by examiner

Primary Examiner—Holly H. Baynham

(57) **CLAIM**

The ornamental design for a solar rotating hanger, as shown.

DESCRIPTION

The claimed solar rotating hanger is used for hanging baskets. The lower hanger will rotate when the motor in the body receives solar energy.

FIG. 1 is a front elevational view of a solar rotating hanger showing my new design;

FIG. 2 is a rear elevational view thereof;

FIG. 3 is a left side view thereof;

FIG. 4 is a right side view thereof;

FIG. 5 is a top plan view thereof;

FIG. 6 is a bottom plan view thereof;

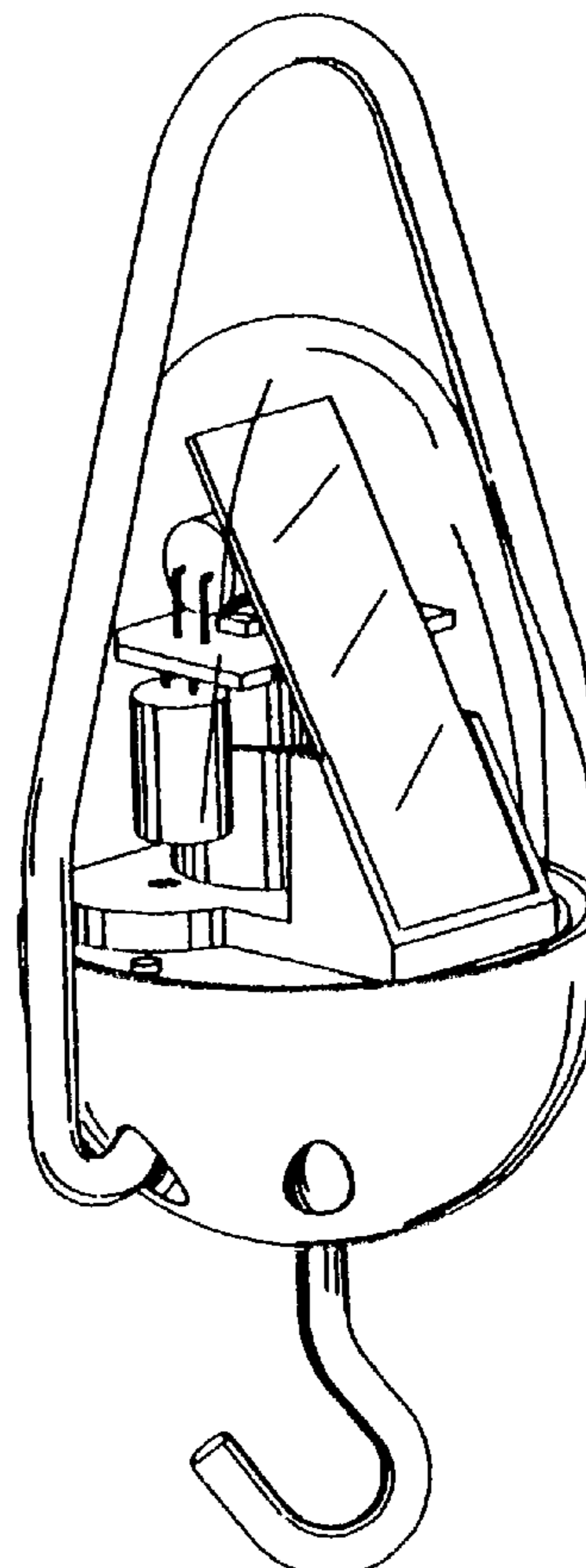
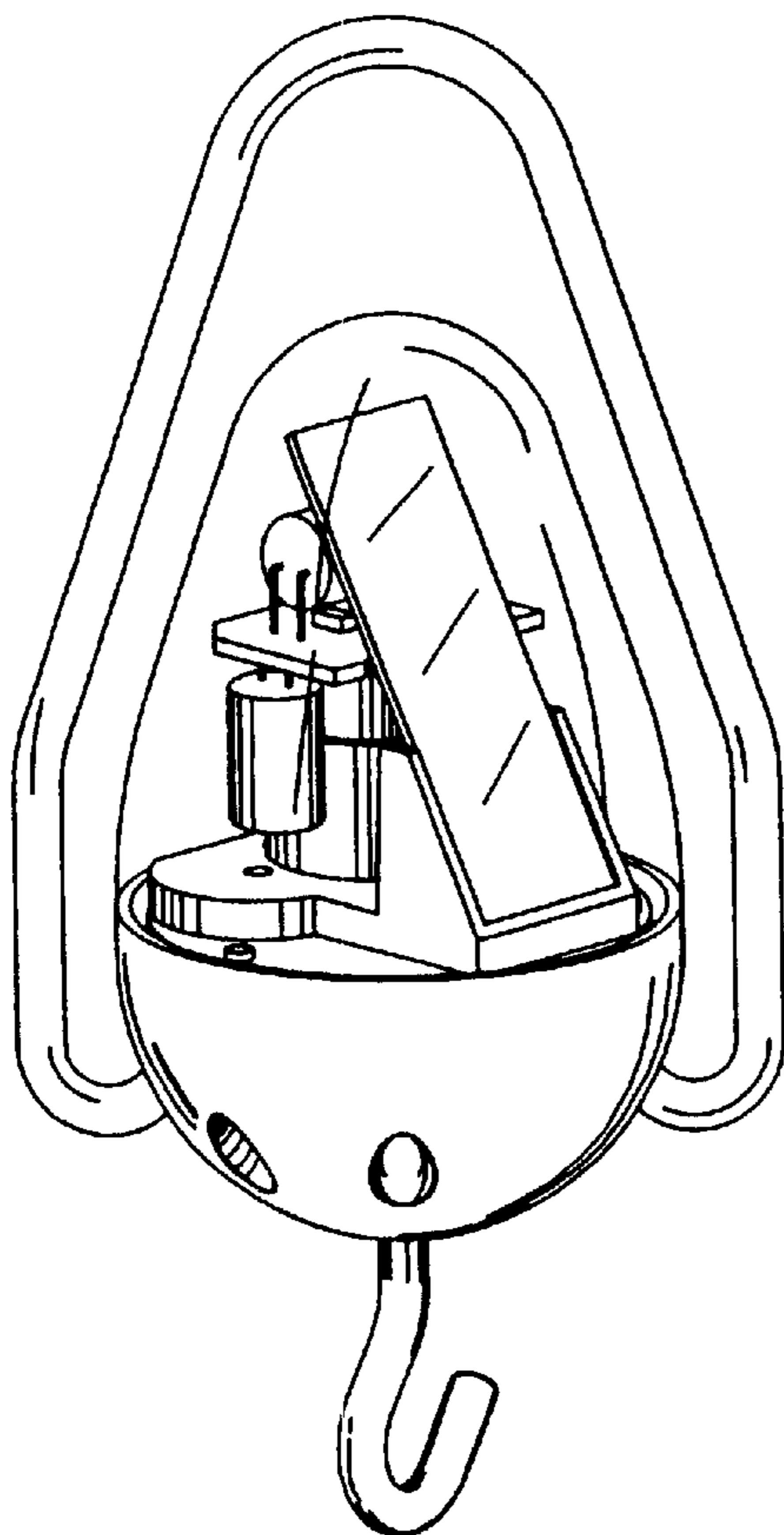
FIG. 7 is a perspective view thereof;

FIG. 8 is a perspective view thereof with the upper hanger being put in a different position;

FIG. 9 is a perspective view thereof with the upper hanger being put in a further different position; and,

FIG. 10 is a perspective view thereof with the lower hanger rotates to another direction.

1 Claim, 4 Drawing Sheets



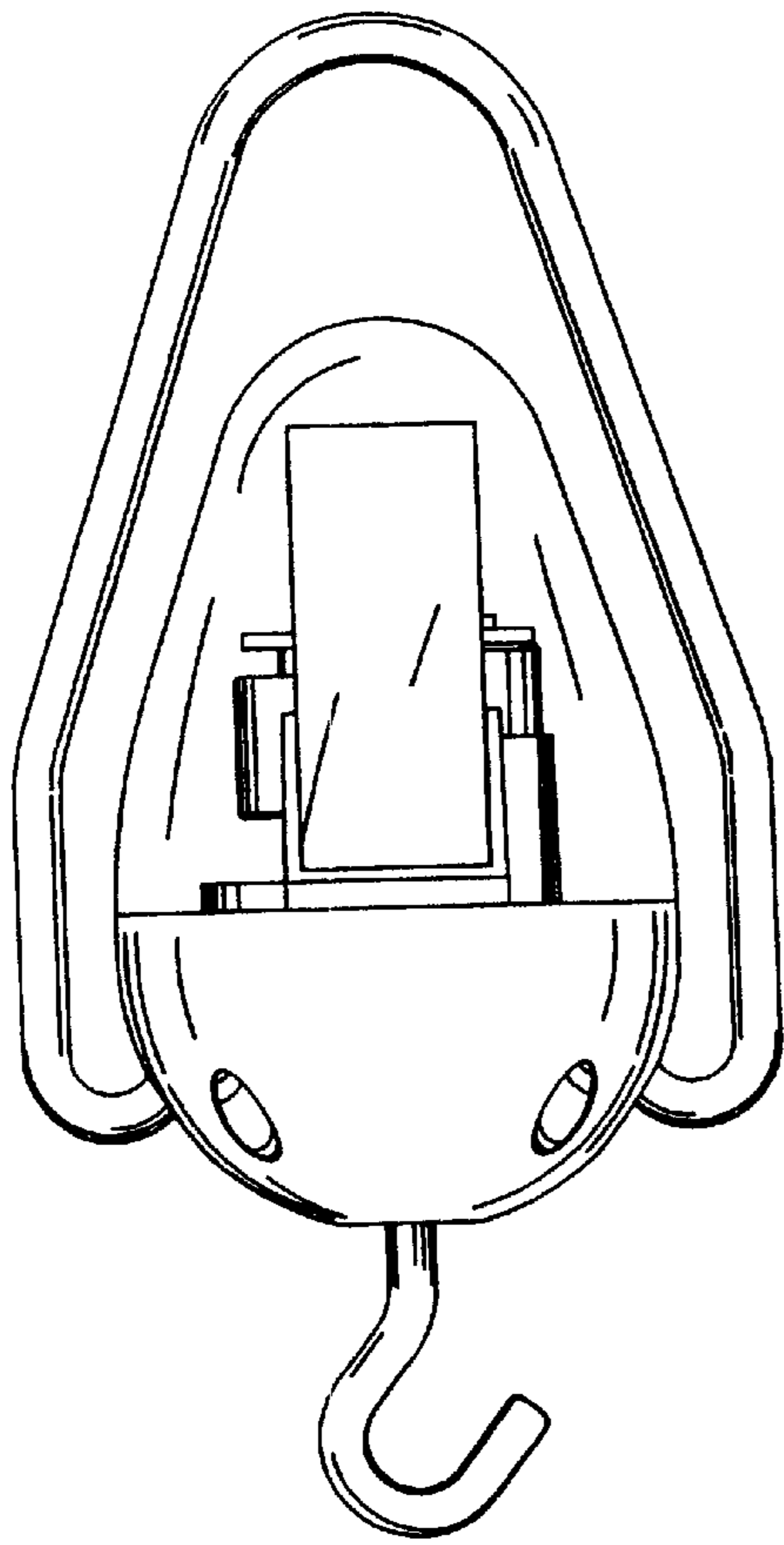


FIG. 1

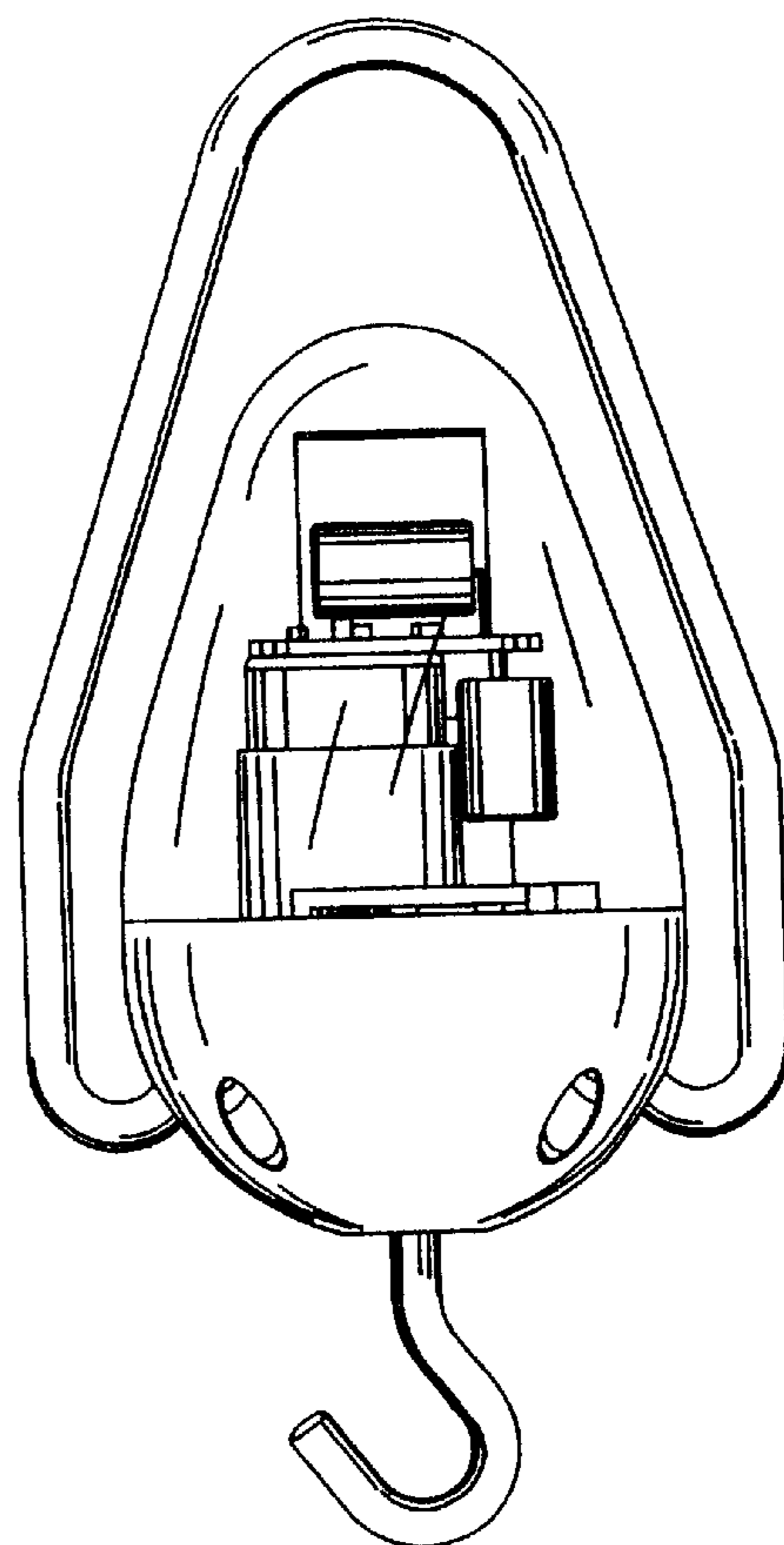


FIG. 2

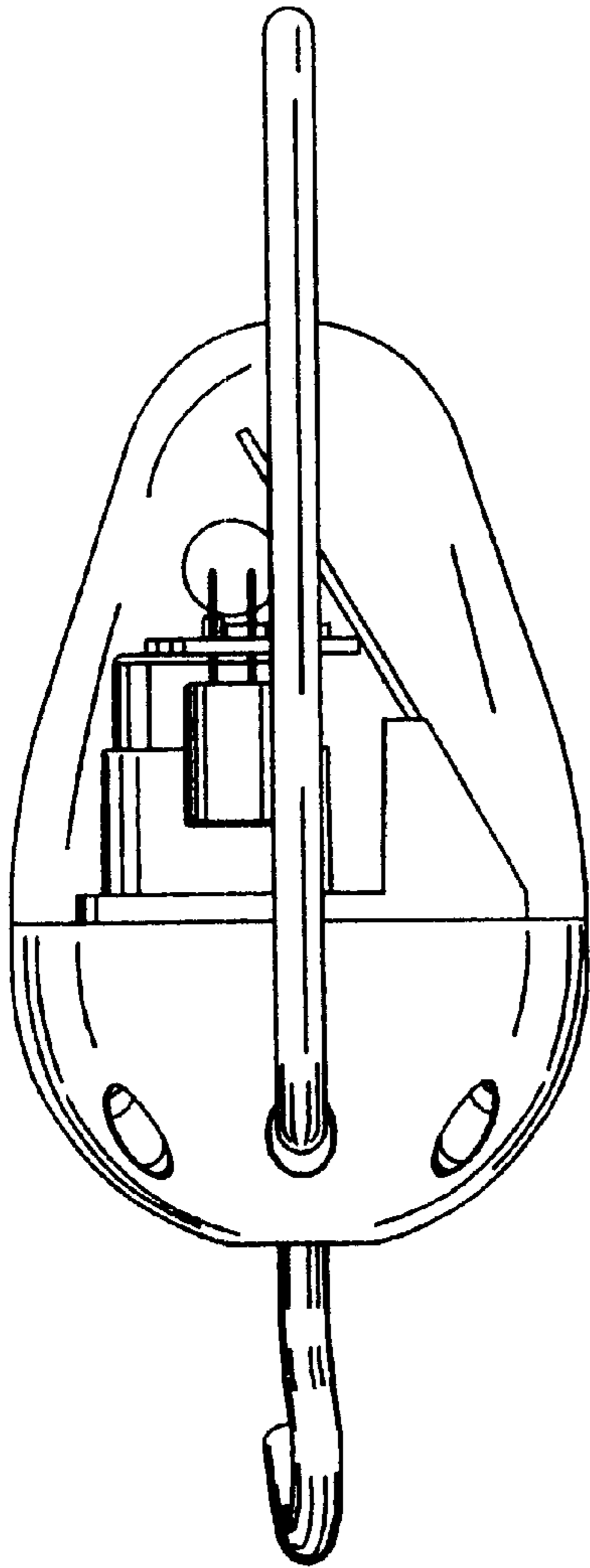


FIG. 3

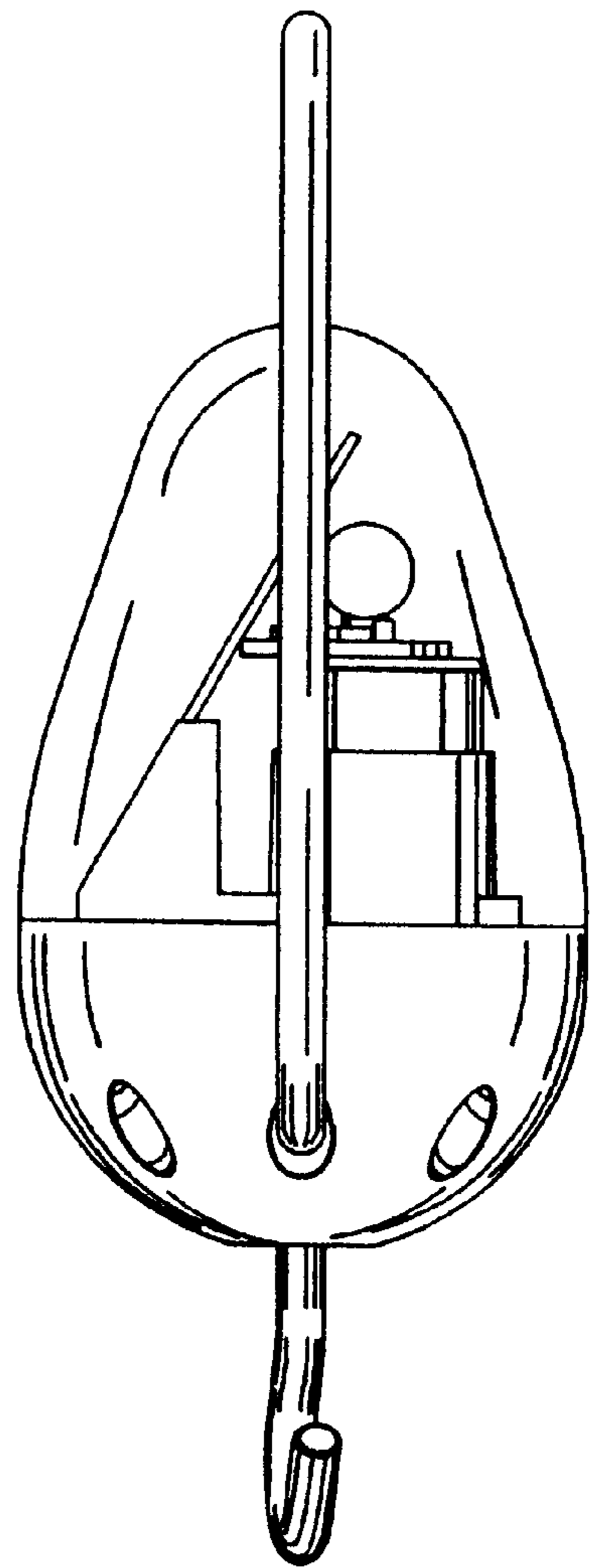


FIG. 4

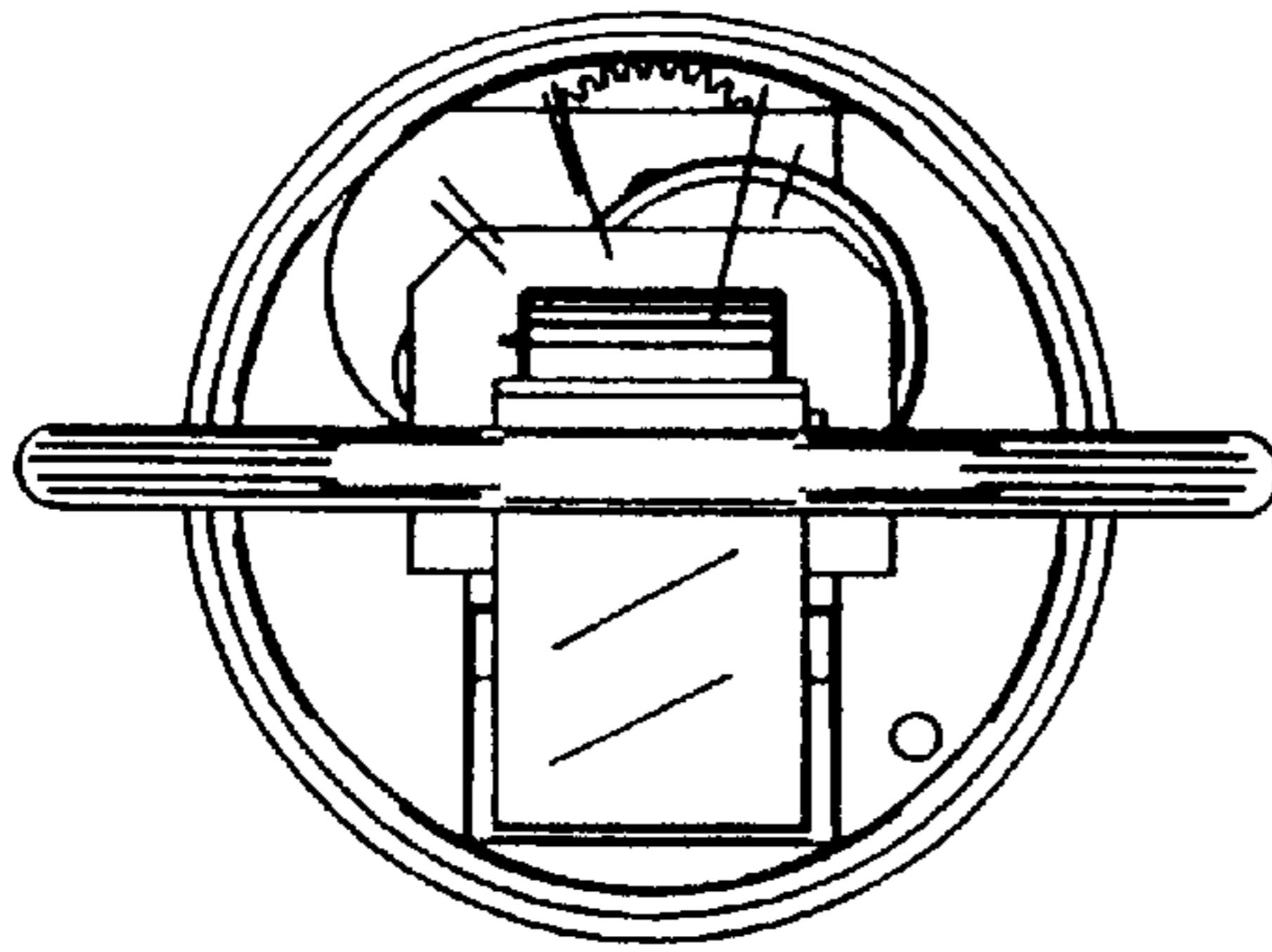


FIG. 5

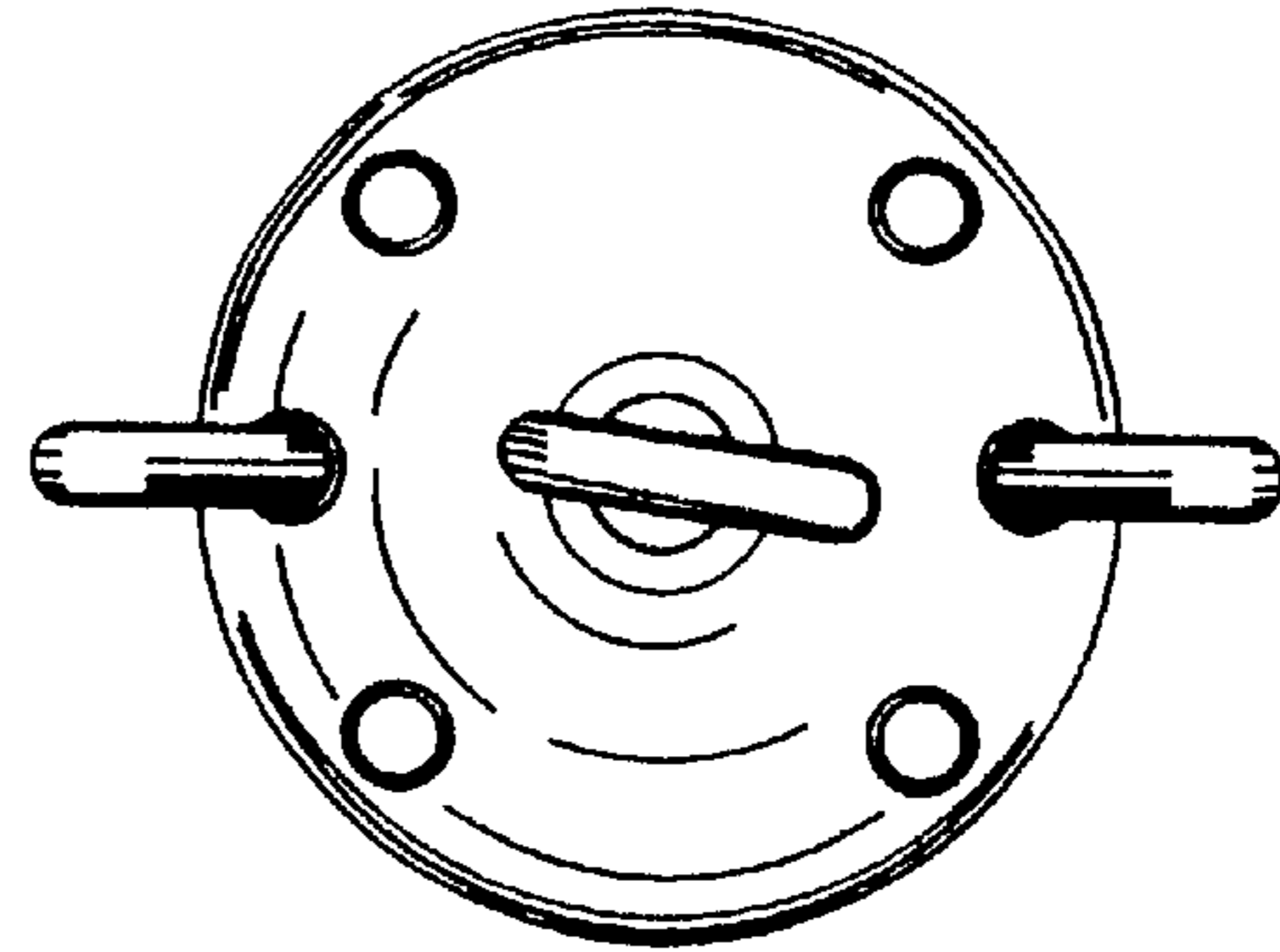


FIG. 6

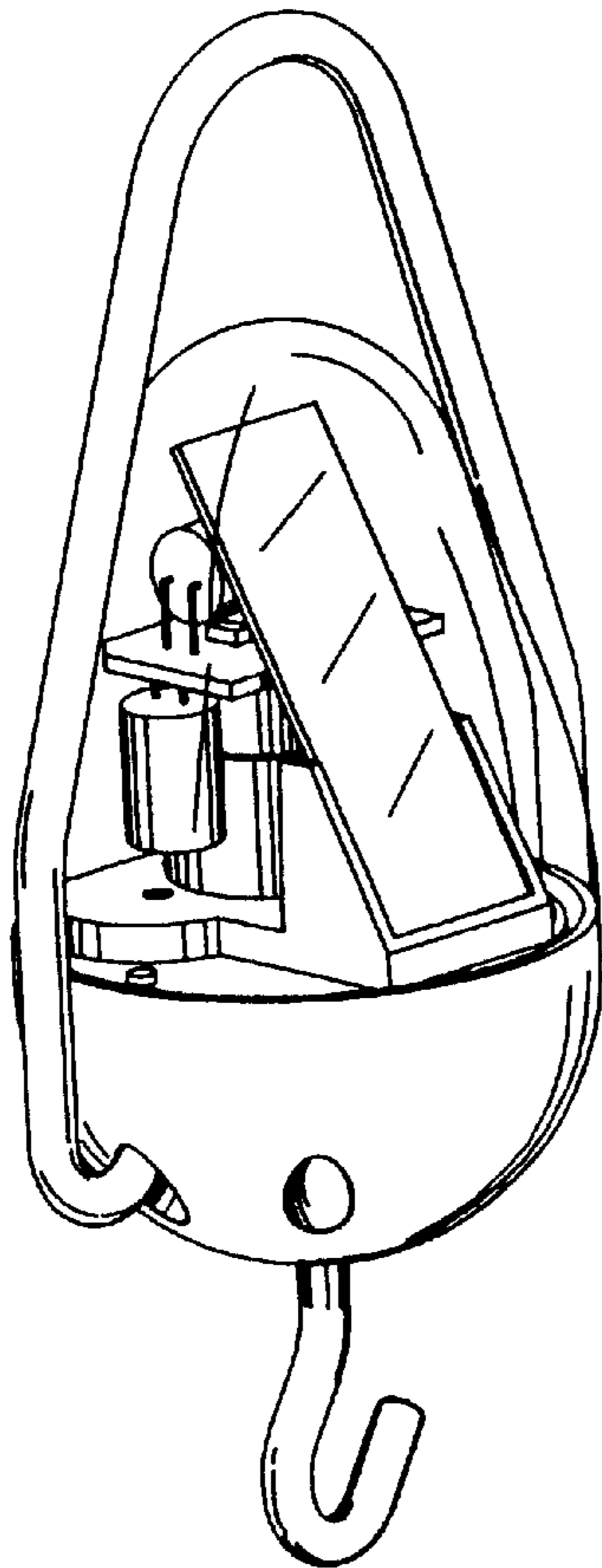


FIG. 7

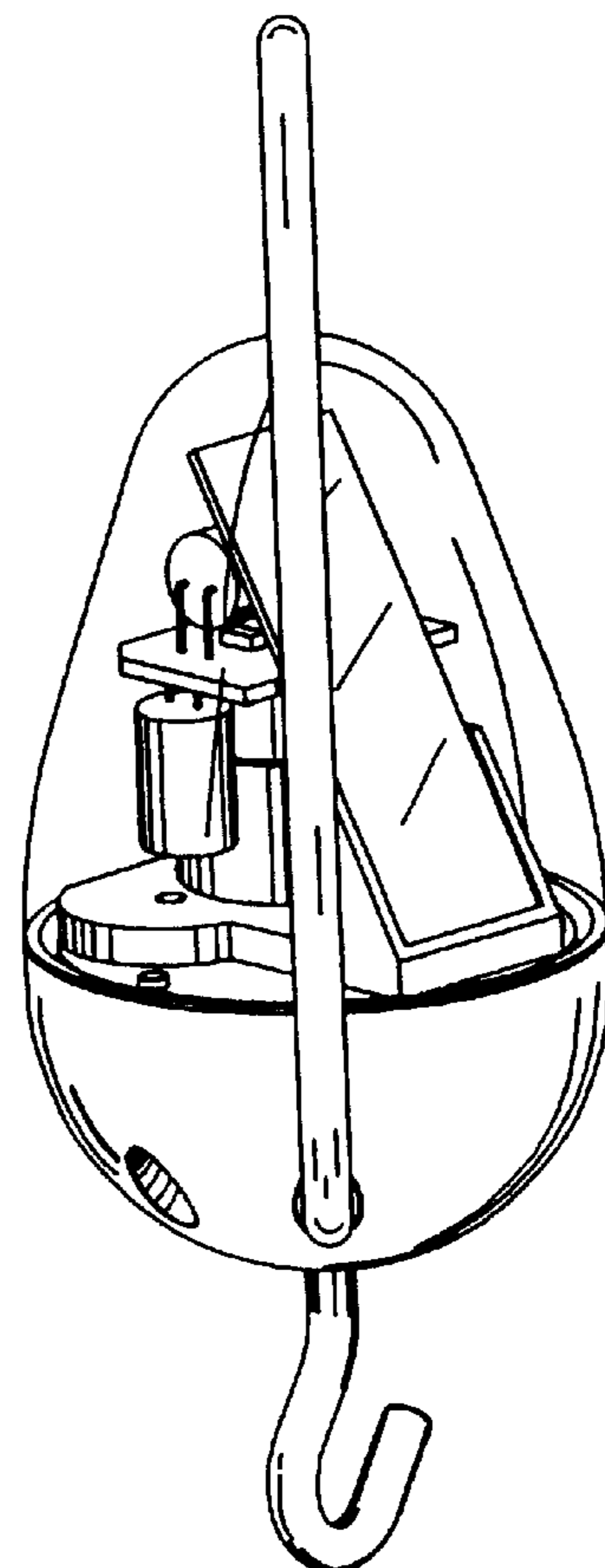


FIG. 8

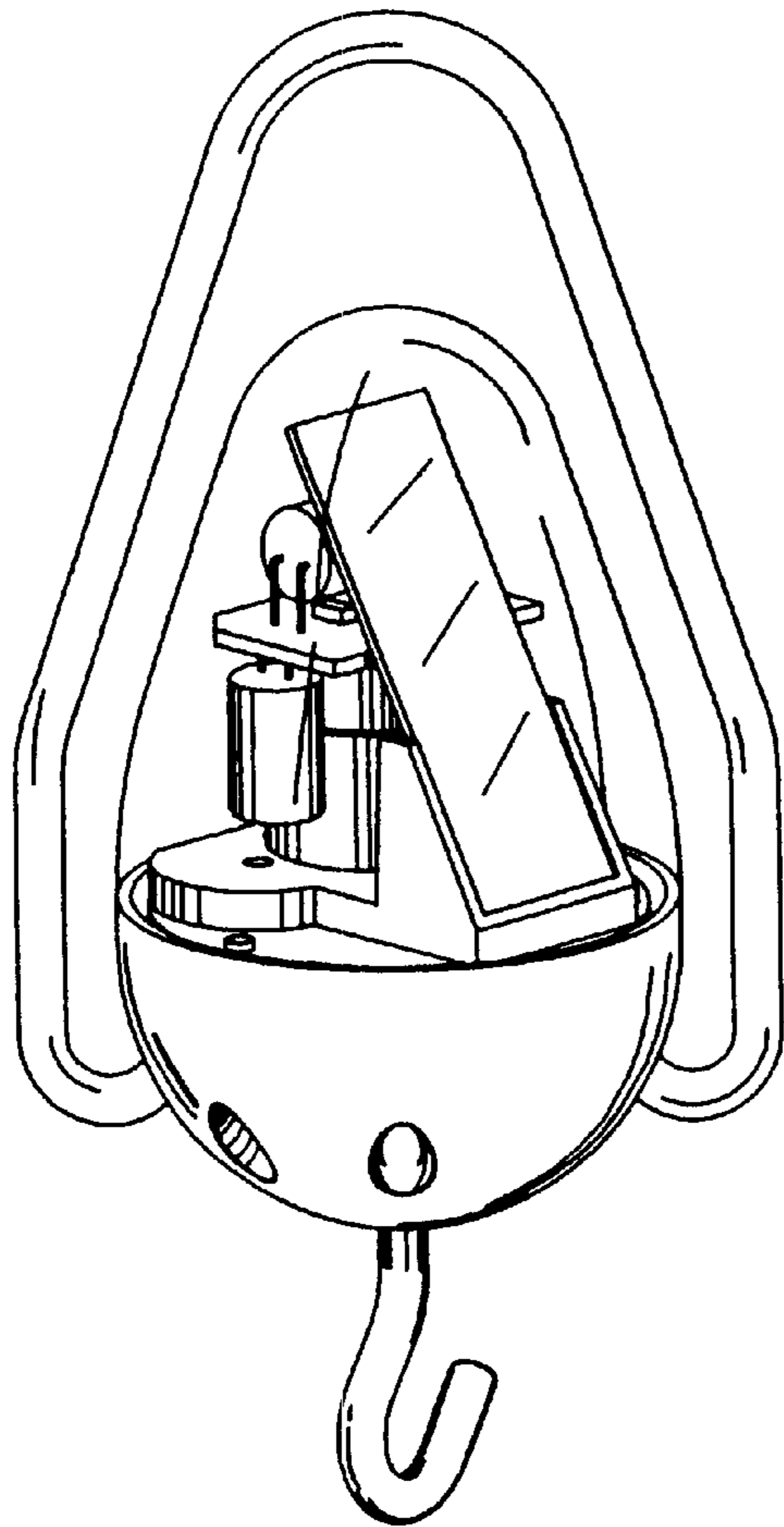


FIG. 9

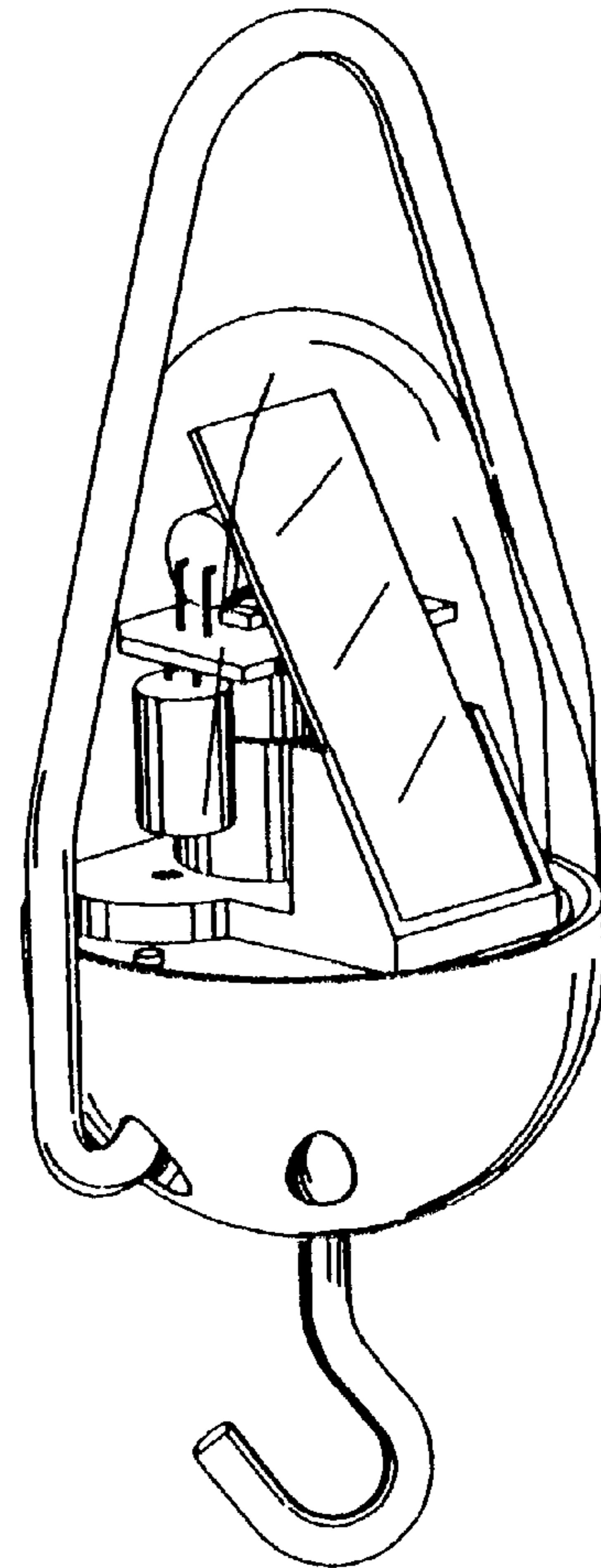


FIG. 10