



US00D535867S

(12) **United States Design Patent**
Lichtscheidl et al.

(10) **Patent No.:** **US D535,867 S**
(45) **Date of Patent:** **** Jan. 30, 2007**

(54) **PORTABLE CORD STATION**

6,186,433 B1 2/2001 Kovacik et al.
6,229,584 B1 5/2001 Chuo et al.

(75) Inventors: **Kristine E. Lichtscheidl**, St. Francis, MN (US); **Mark A. Schaffner**, Maple Grove, MN (US); **Thomas E. Kramer**, Coon Rapids, MN (US); **Fusu Thao**, St. Paul, MN (US)

(Continued)

OTHER PUBLICATIONS

Harborfreight.com, Harbor Freight Tools—Quality Tools at the Lowest Prices, “40 Ft. Extension Cord And Reel”, available at <http://www.harborfreight.com/cpi/ctaf/DisplayItem.taf?itemnumber=40460>, available at least by Sep. 9, 2004, (1 pg.).

Harborfreight.com, Harbor Freight Tools—Quality Tools at the Lowest Prices, “Portable Four Outlet Cord Reel”, available at <http://www.harborfreight.com/cpi/ctaf/DisplayItem.taf?itemnumber=90297>, available at least by Sep. 9, 2004, (1 pg.).

National Wholesale Tools, “4 Outlet Portable Power Station—1272”, available at <http://www.nationalwholesale-tools.com/index.asp?PageAction=VIEWPROD&ProdID=317>, available at least by Sep. 9, 2004, (1 pg.).

SHOP.COM, “Cord Storage Reel”, available at http://amos.shop.com/amos/cc/main/catalog/pcd/6325714/prd/9051861/ccsyn/260/_x_/lmp..., available at least by Sep. 9, 2004, (1 pg.).

Primary Examiner—Holly H. Baynham

(73) Assignee: **Koninklijke Philips N.V.**, Eindhoven (NL)

(**) Term: **14 Years**

(21) Appl. No.: **29/220,350**

(22) Filed: **Dec. 29, 2004**

(51) **LOC (8) Cl.** **08-05**

(52) **U.S. Cl.** **D8/358**

(58) **Field of Classification Search** D8/358–359;
D34/24; 242/395, 403.1

See application file for complete search history.

(56) **References Cited**

U.S. PATENT DOCUMENTS

4,245,873 A	1/1981	Markowitz	
4,520,239 A	5/1985	Schwartz	
D294,487 S	3/1988	Bannigan	
4,911,652 A	3/1990	Savoca et al.	
5,072,330 A	12/1991	Fuqua	
5,122,069 A	6/1992	Brownlie et al.	
D330,506 S	* 10/1992	Clivio	D8/359
D334,882 S	* 4/1993	Bunch	D8/359
5,277,620 A	1/1994	Taylor	
5,364,289 A	11/1994	Noguchi et al.	
5,462,298 A	* 10/1995	Bodine	280/47.34
D365,012 S	* 12/1995	Sather	D8/359
D374,166 S	10/1996	Czerwinski et al.	
5,593,316 A	1/1997	Lyons	
5,657,841 A	8/1997	Morvan	
D408,720 S	4/1999	Sheng	
5,934,598 A	8/1999	Kovacik et al.	
D418,270 S	* 12/1999	Tisbo et al.	D34/24
6,004,138 A	12/1999	Harbertson	
6,170,775 B1	1/2001	Kovacik et al.	
6,179,665 B1	1/2001	Rossman et al.	

(57) **CLAIM**

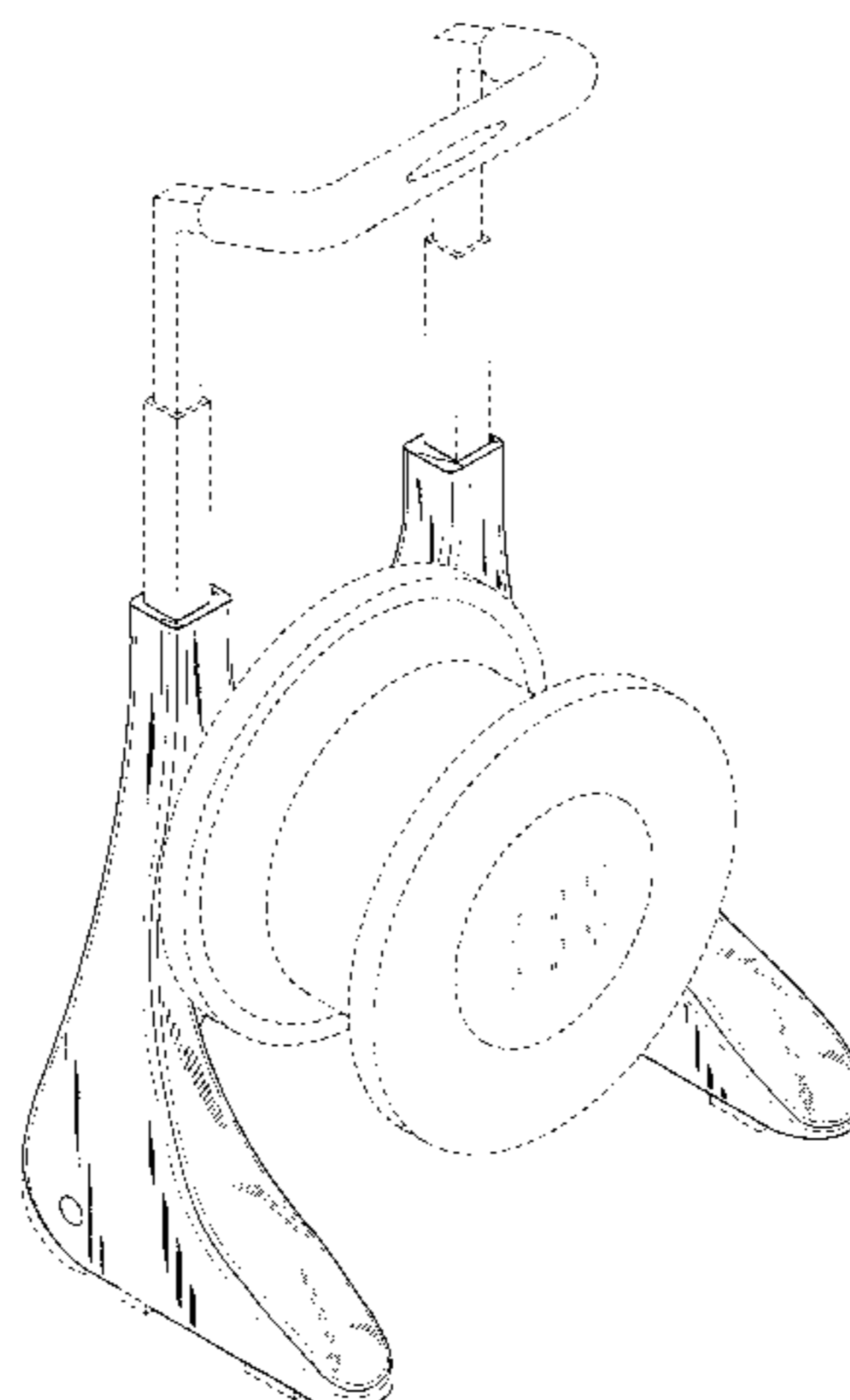
We claim the ornamental design for a portable cord station, as shown and described.

DESCRIPTION

FIG. 1 is a front perspective view of the claimed design; FIG. 2 is a back perspective view of the claimed design; FIG. 3 is a left side elevation view of the claimed design; FIG. 4 is a front elevation view of the claimed design; FIG. 5 is a back elevation view of the claimed design; FIG. 6 is a top view of the claimed design; and, FIG. 7 is a bottom view of the claimed design.

The broken lines immediately adjacent the shaded areas represent the bounds of the claim and all other broken lines are for illustrative purposes only. None of the broken lines form part of the claimed design.

1 Claim, 7 Drawing Sheets



US D535,867 S

Page 2

U.S. PATENT DOCUMENTS

6,315,604	B1	11/2001	Lee	6,603,656	B2	8/2003	Cho et al.	
D464,624	S	10/2002	Shim	D481,009	S	10/2003	Stekelenburg	
6,483,028	B2	11/2002	DeBartolo, Jr. et al.	D482,326	S	11/2003	Stekelenburg	
6,492,591	B1	12/2002	Metcalf	D483,248	S	* 12/2003	Roman	D8/359
6,568,946	B1	5/2003	Chou	D518,361	S	* 4/2006	Jassenoff	D8/358
6,593,528	B2	7/2003	Franklin-Lees et al.					

* cited by examiner

FIGURE 1

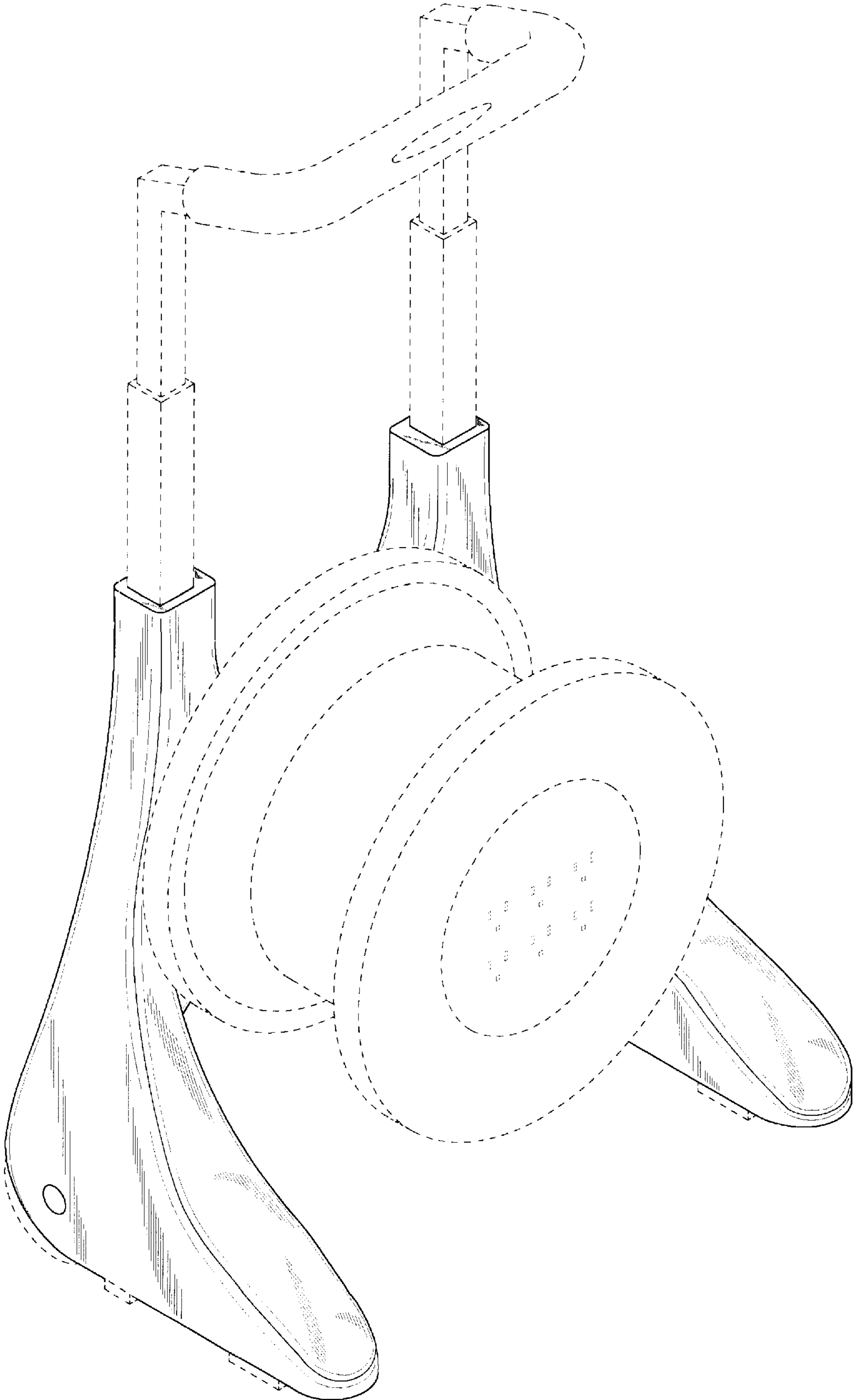


FIGURE 2



FIGURE 3

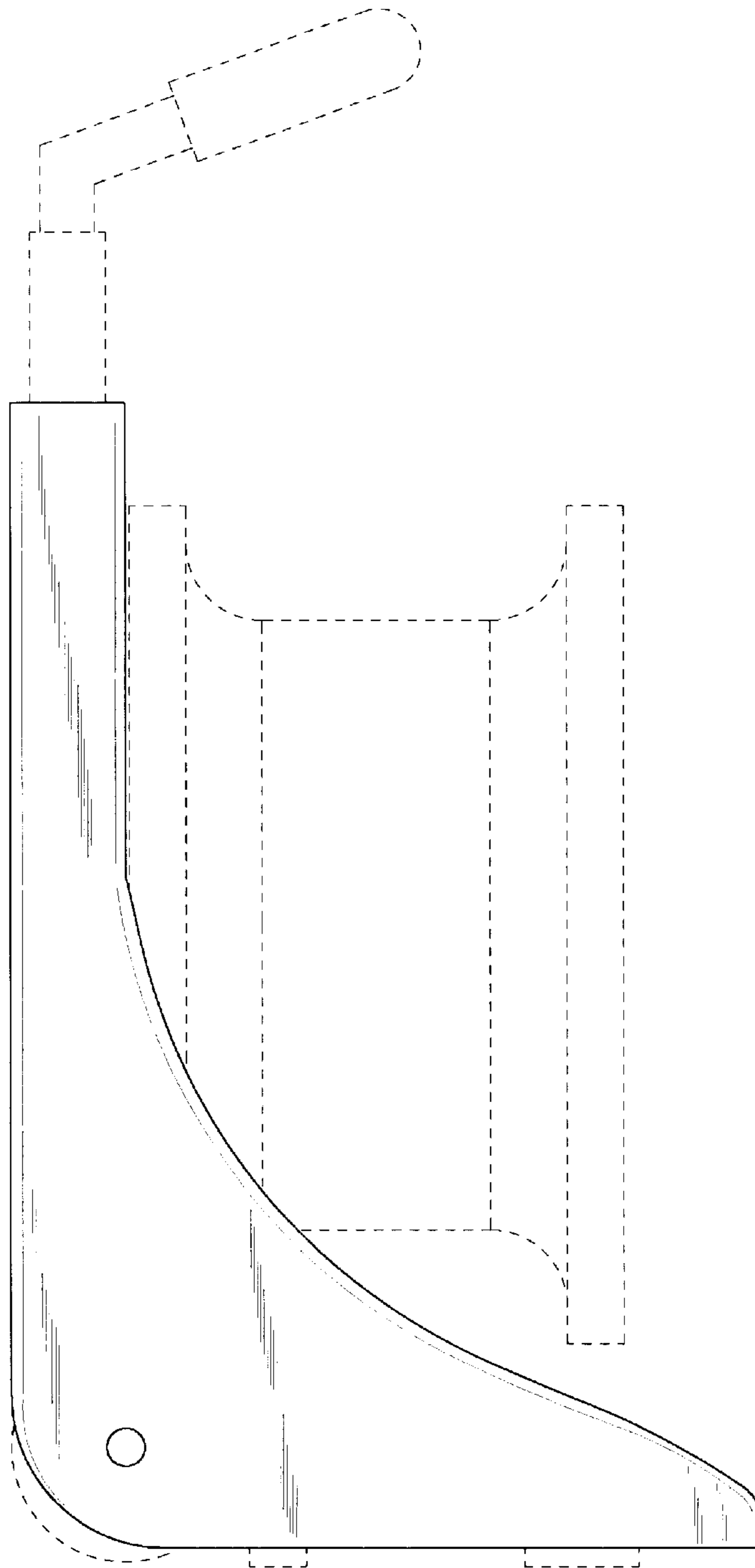


FIGURE 4

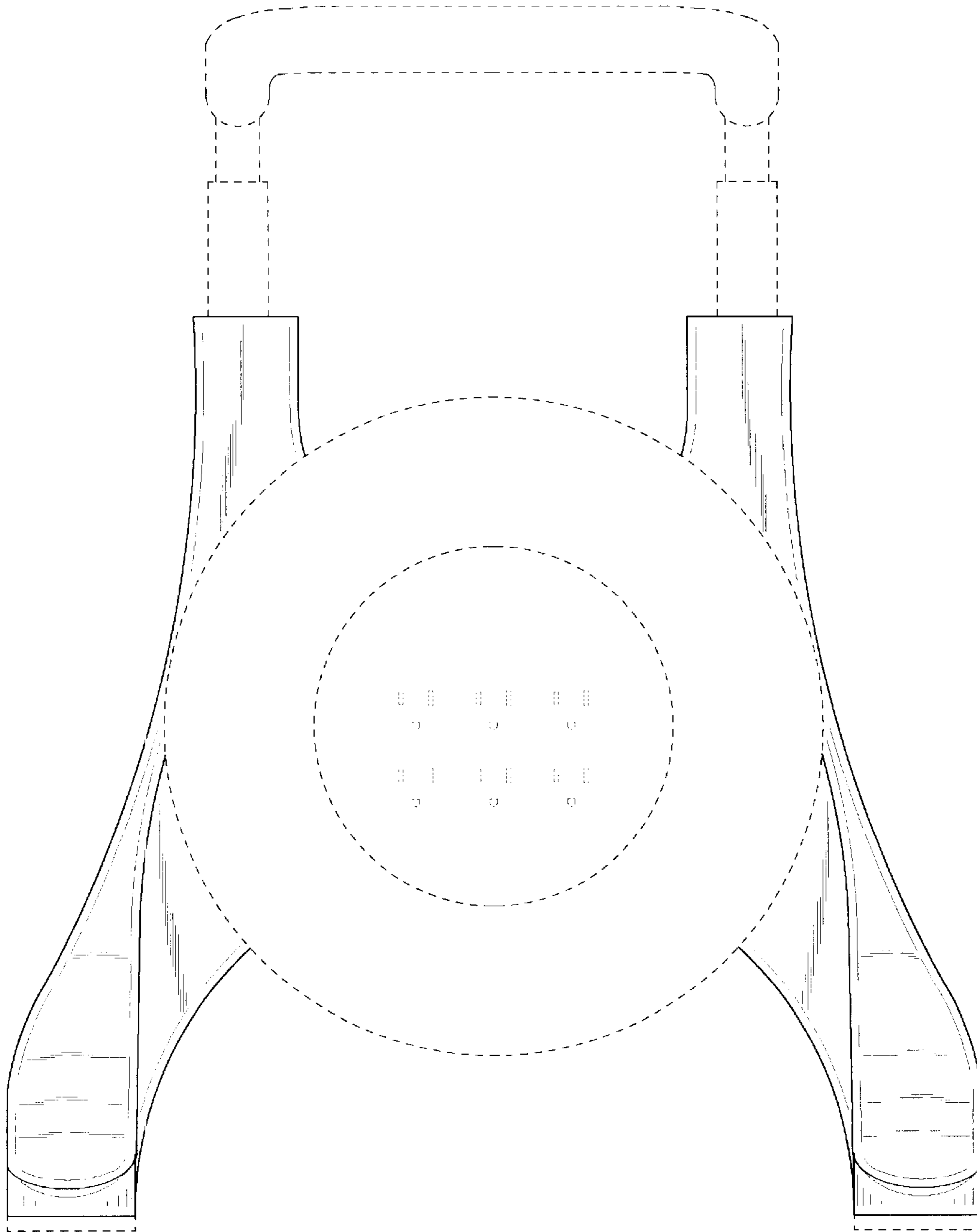


FIGURE 5

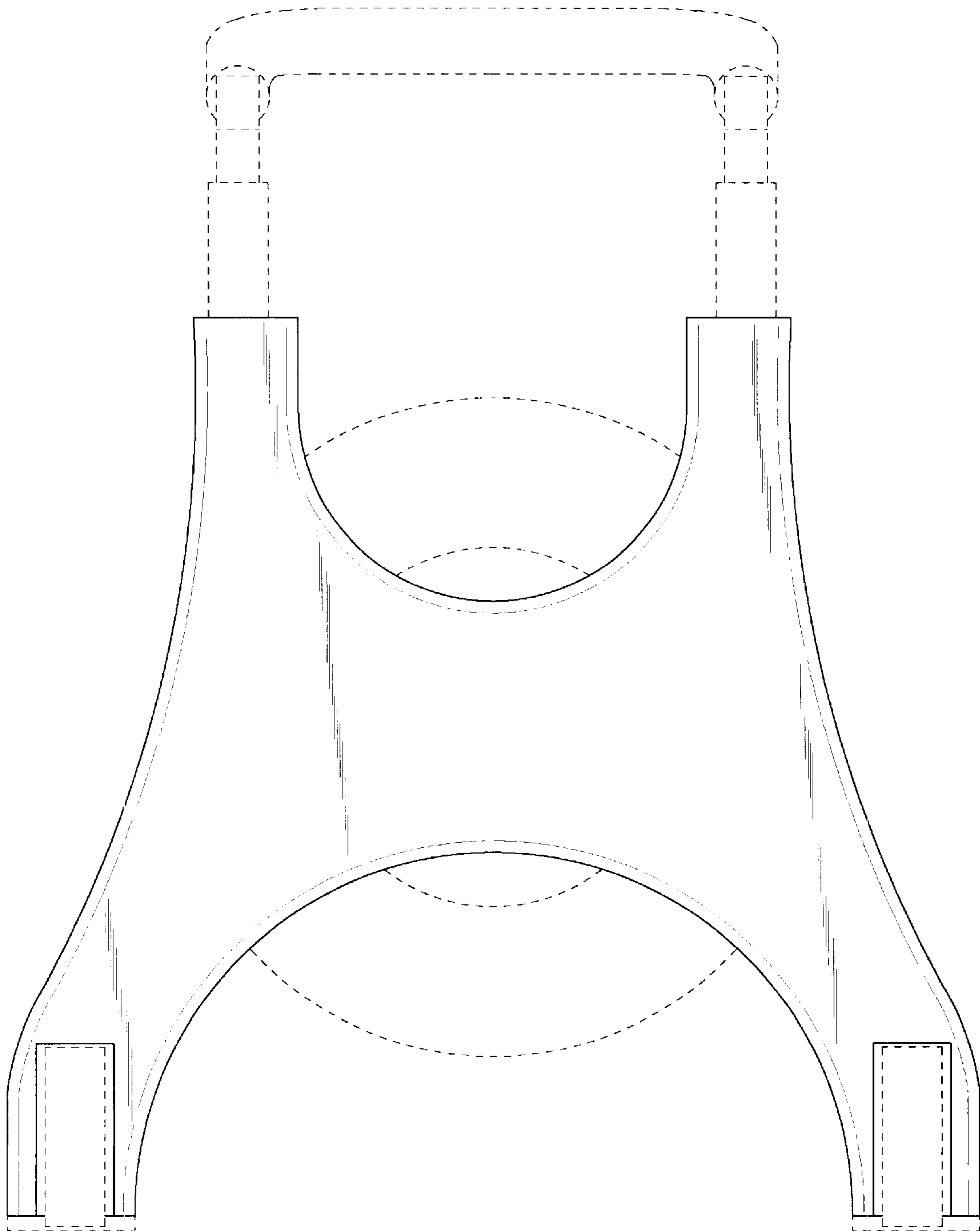


FIGURE 6

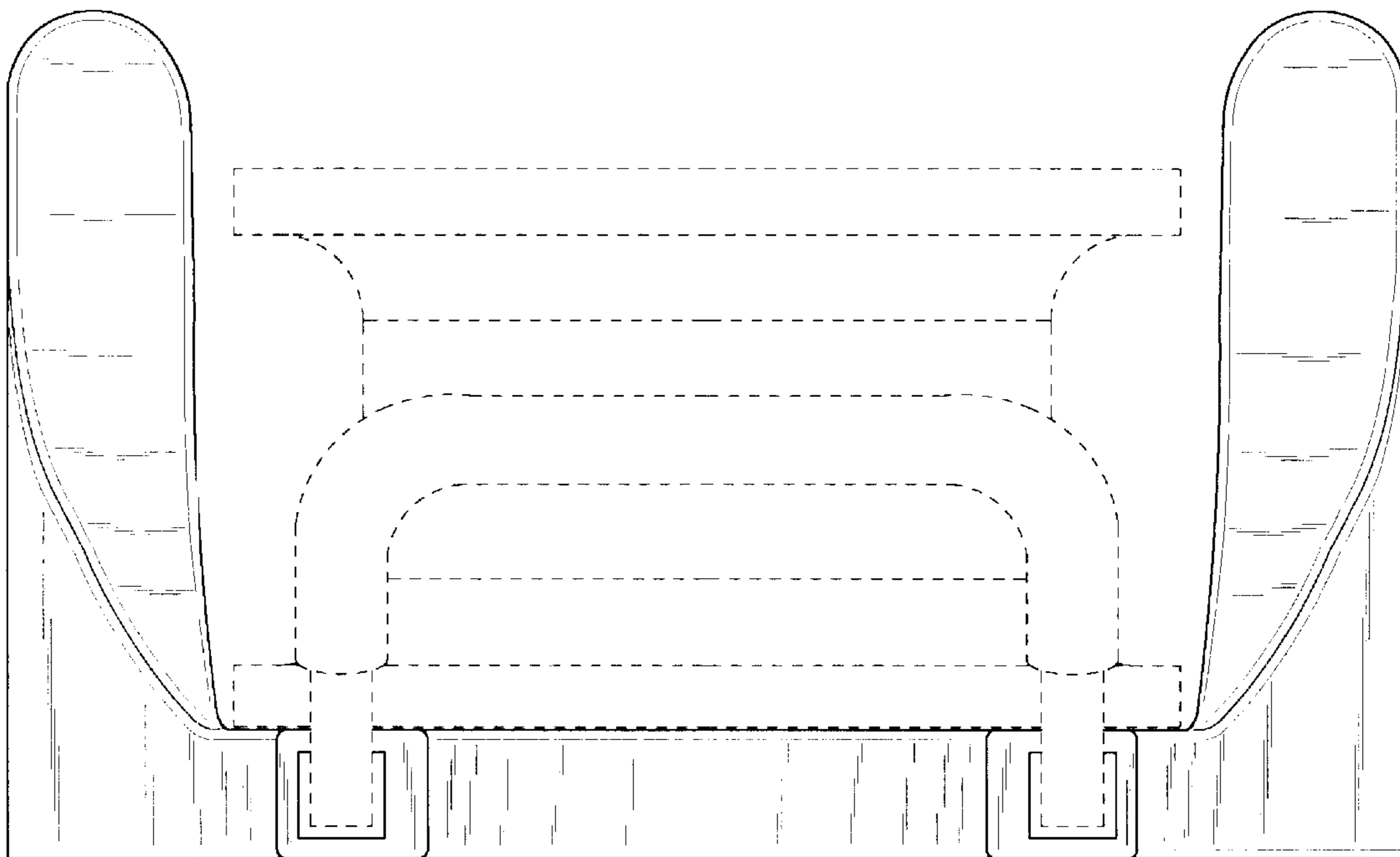


FIGURE 7

