



US00D535865S

(12) **United States Design Patent**  
**Nishio**

(10) **Patent No.:** **US D535,865 S**

(45) **Date of Patent:** **\*\* Jan. 30, 2007**

(54) **INSIDE DOOR HANDLE FOR VEHICLE**

(75) Inventor: **Yasuaki Nishio**, Kariya (JP)

(73) Assignee: **Aisin Seiki Kabushiki Kaisha**, Kariya (JP)

(\*\*) Term: **14 Years**

(21) Appl. No.: **29/218,483**

(22) Filed: **Dec. 3, 2004**

(30) **Foreign Application Priority Data**

Jun. 15, 2004 (JP) ..... 2004-017827  
Jun. 15, 2004 (JP) ..... 2004/017828

(51) **LOC (8) Cl.** ..... **08-06**

(52) **U.S. Cl.** ..... **D8/302; D8/313**

(58) **Field of Classification Search** ..... D8/301,  
D8/302, 306, 313, 338, 341, 353; 292/336.3,  
292/337, DIG. 31; 70/208; D12/196; 16/412  
See application file for complete search history.

(56) **References Cited**

**U.S. PATENT DOCUMENTS**

D210,152 S \* 2/1968 Pastva ..... D8/341  
D230,945 S \* 3/1974 Beckman ..... D8/341

D346,731 S \* 5/1994 Larsen et al. .... D8/301  
D373,298 S \* 9/1996 Miede et al. .... D8/302  
D391,137 S \* 2/1998 Moebius ..... D8/313  
D459,969 S \* 7/2002 Larsen et al. .... D8/302

\* cited by examiner

*Primary Examiner*—Paula A. Greene

(74) *Attorney, Agent, or Firm*—Buchanan Ingersoll & Rooney PC

(57) **CLAIM**

The ornamental design for an inside door handle for vehicle, as shown and described.

**DESCRIPTION**

FIG. 1 is a perspective view of an inside door handle for vehicle showing my new design;  
FIG. 2 is a front view thereof;  
FIG. 3 is a rear view thereof;  
FIG. 4 is a top plan view thereof;  
FIG. 5 is a bottom plan view thereof;  
FIG. 6 is a right side elevational view thereof; and,  
FIG. 7 is a left side elevational view.  
The broken lines are for illustrative purposes only and forms no part of the claimed design.

**1 Claim, 3 Drawing Sheets**

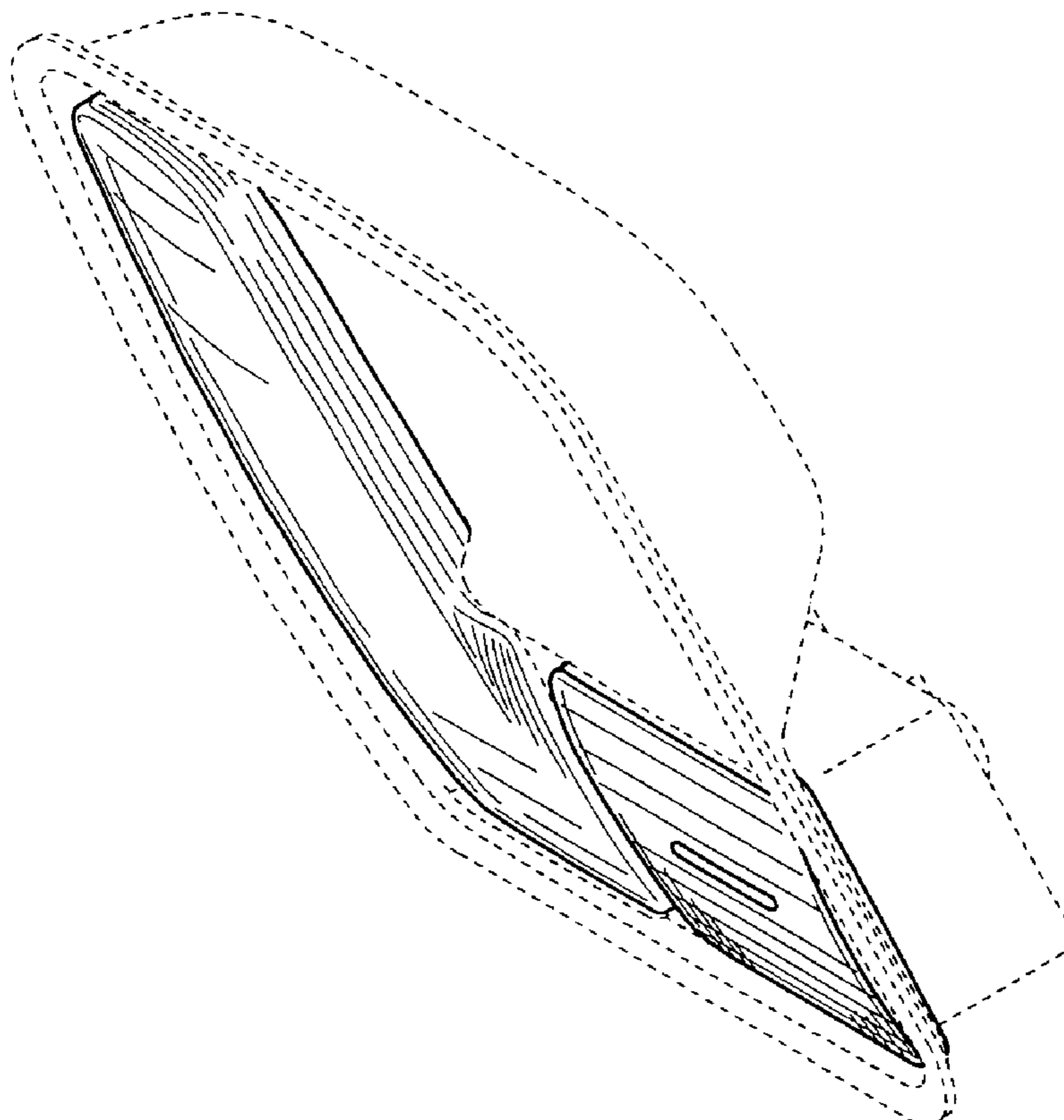


FIG. 1

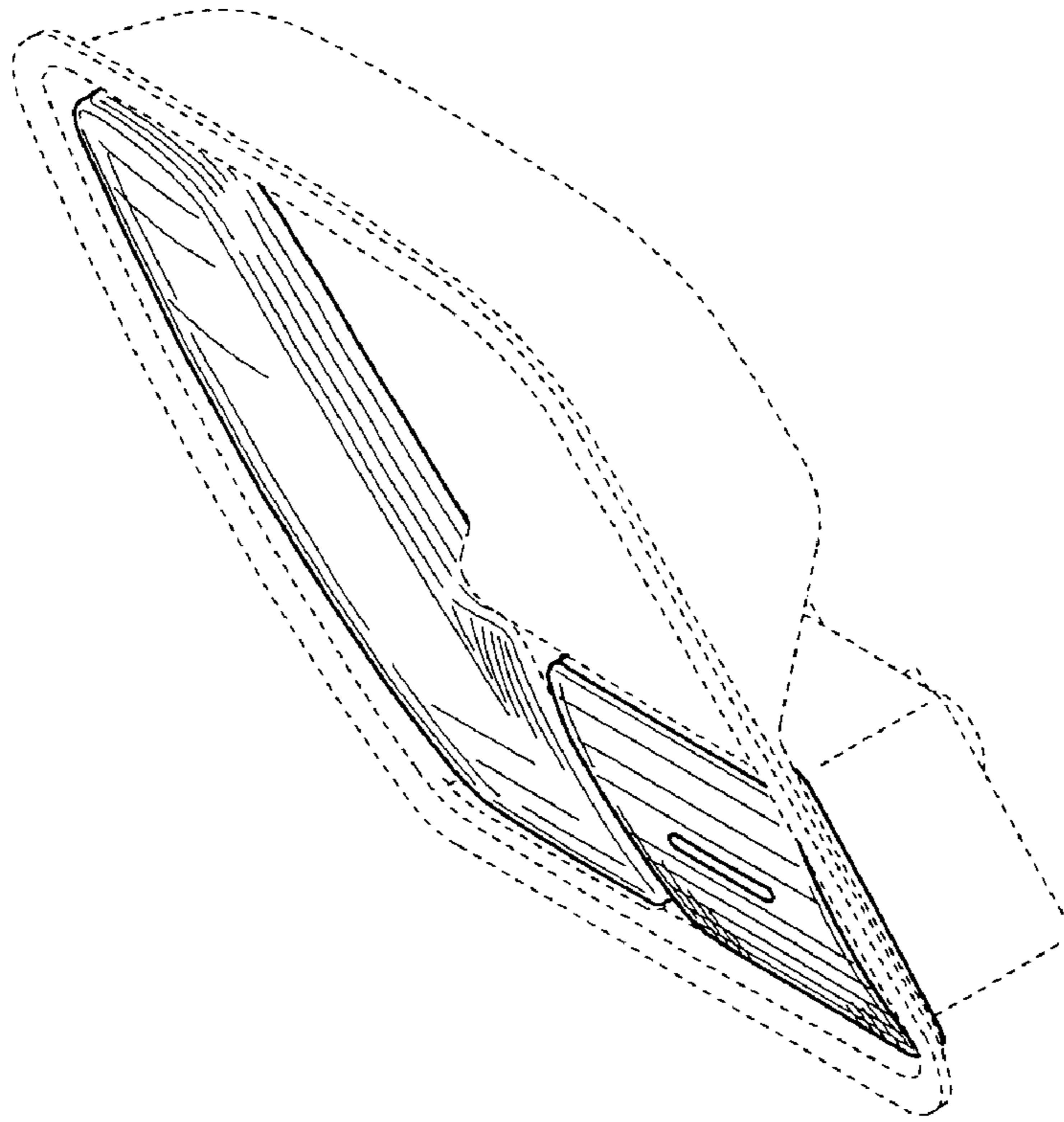


FIG. 2

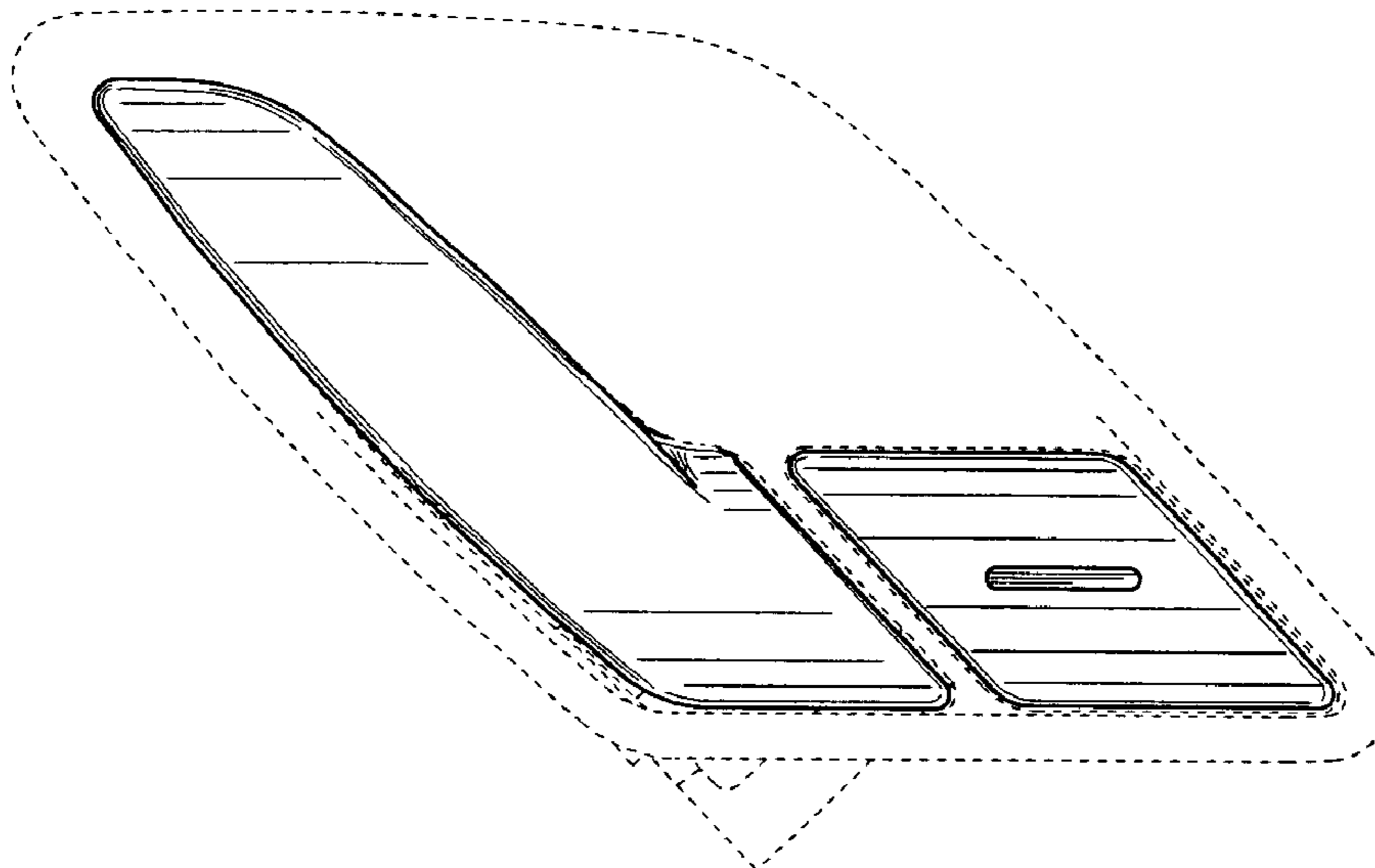


FIG. 3

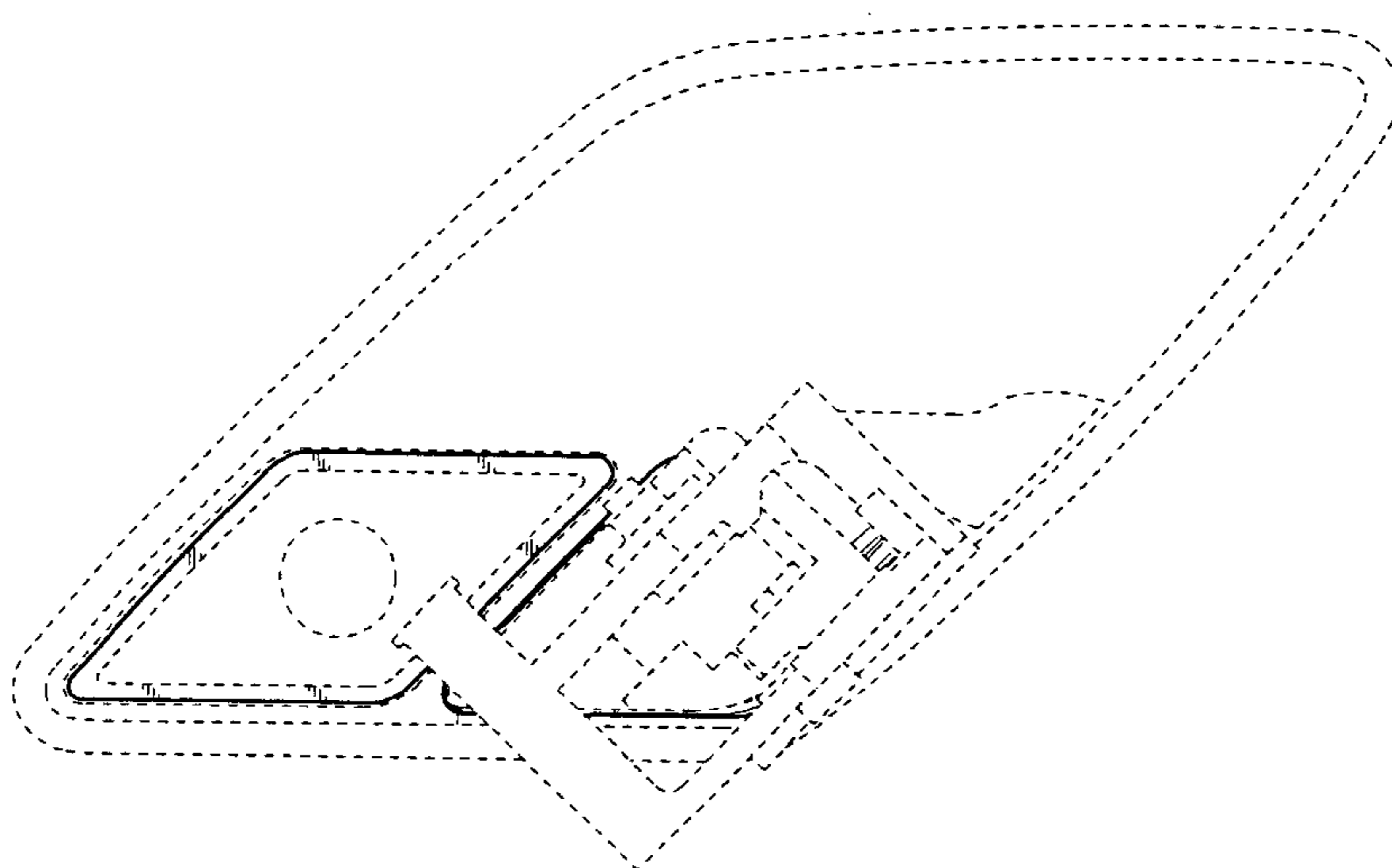


FIG. 4

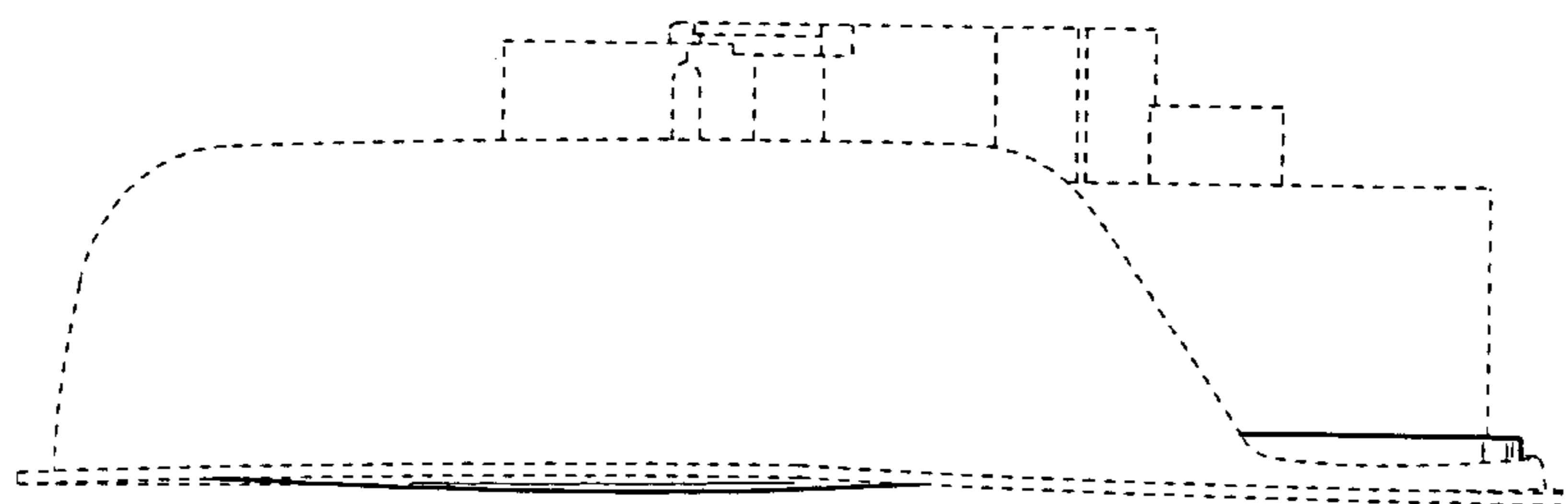


FIG. 5

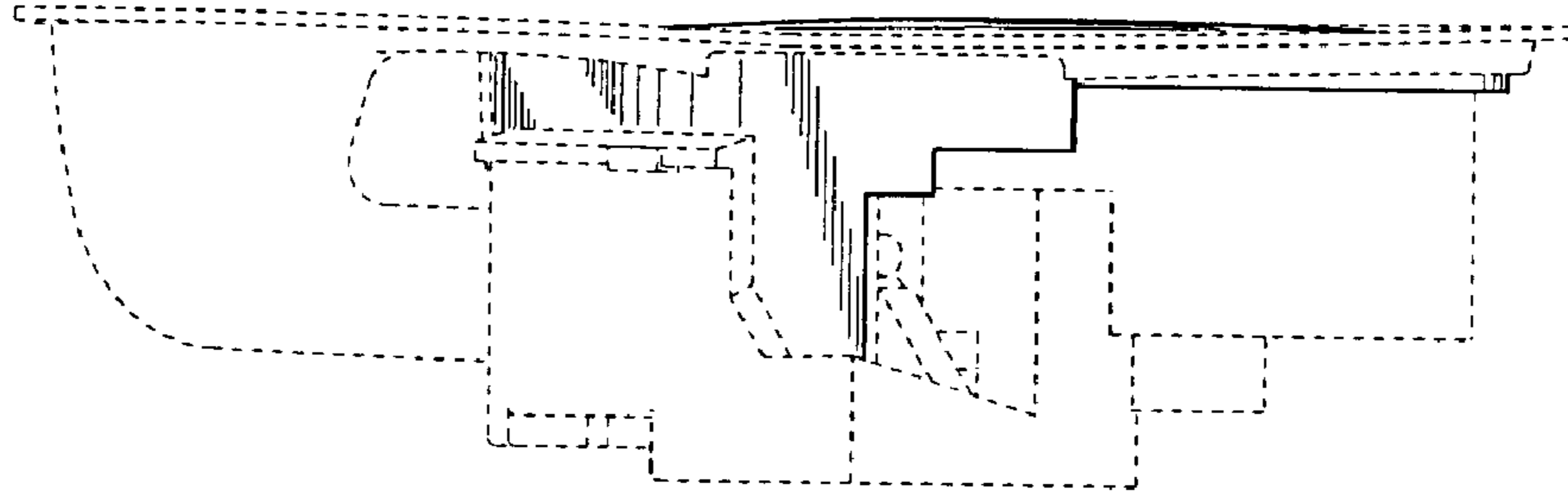


FIG. 6

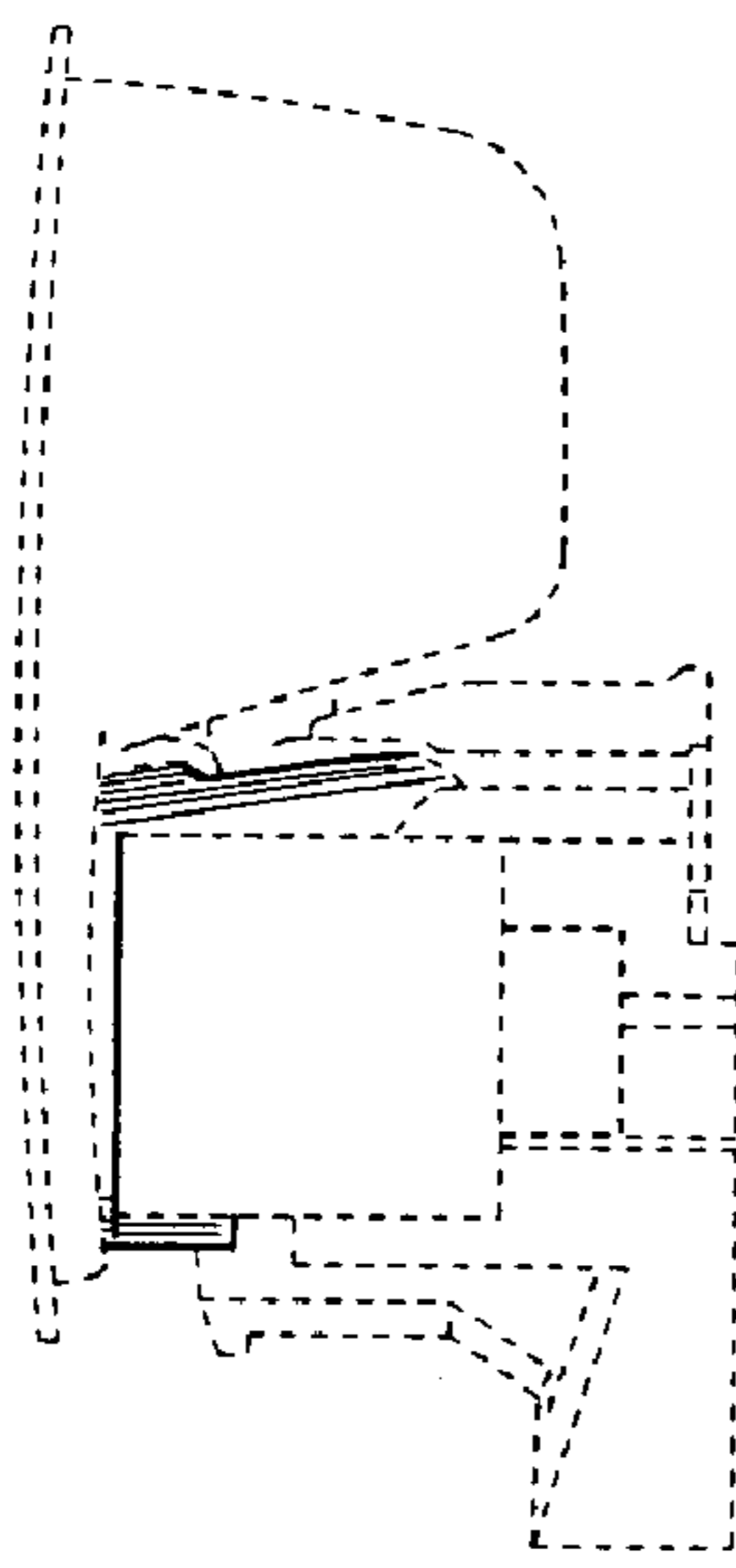


FIG. 7

