



US00D535862S

(12) **United States Design Patent**  
**Duffek et al.**

(10) **Patent No.:** **US D535,862 S**  
(45) **Date of Patent:** **\*\* Jan. 30, 2007**

- (54) **TRIGGER FOR A POWER TOOL**
- (75) Inventors: **Donald John Duffek**, Hartford, WI (US); **Scott Robert Fischer**, Menomonee Falls, WI (US); **David Brian Griep**, Rubicon, WI (US)
- (73) Assignee: **Milwaukee Electric Tool Corporation**, Brookfield, WI (US)
- (\*\*) Term: **14 Years**

4,137,490 A	1/1979	Brozoski et al.
4,205,434 A	6/1980	Brozoski et al.
4,440,238 A	4/1984	Sauerwein et al.
4,667,119 A	5/1987	Holmes
4,776,561 A	10/1988	Braunlich et al.
4,820,889 A *	4/1989	Seghetti ..... 200/522
D301,199 S	5/1989	Zurwelle
D301,871 S	6/1989	Yamaguchi et al.
5,012,057 A	4/1991	Inuyama

(Continued)

FOREIGN PATENT DOCUMENTS

- (21) Appl. No.: **29/182,365**
- (22) Filed: **May 23, 2003**
- (51) **LOC (8) Cl.** ..... **08-99**
- (52) **U.S. Cl.** ..... **D8/70**
- (58) **Field of Classification Search** ..... 408/125, 408/234, 241 R, 20, 124; 451/358; 310/50; 200/61.58 R, 332.2, 522; D15/133, 138, D15/139, 140, 144; D8/30, 14.1, 61, 62, D8/63, 64, 65, 66, 67, 68, 69, 70; 81/57.11, 81/429, 464, 465, 466, 469, 489; 173/13, 173/169, 178, 213, 217, 114, 201, 211; 227/8, 227/114, 120, 130, 136, 142  
See application file for complete search history.

DE 41 06 119 A1 2/1991

*Primary Examiner*—T. Chase Nelson  
(74) *Attorney, Agent, or Firm*—Michael Best & Friedrich LLP

(57) **CLAIM**

We claim the ornamental design for a trigger for a power tool, as shown and described.

**DESCRIPTION**

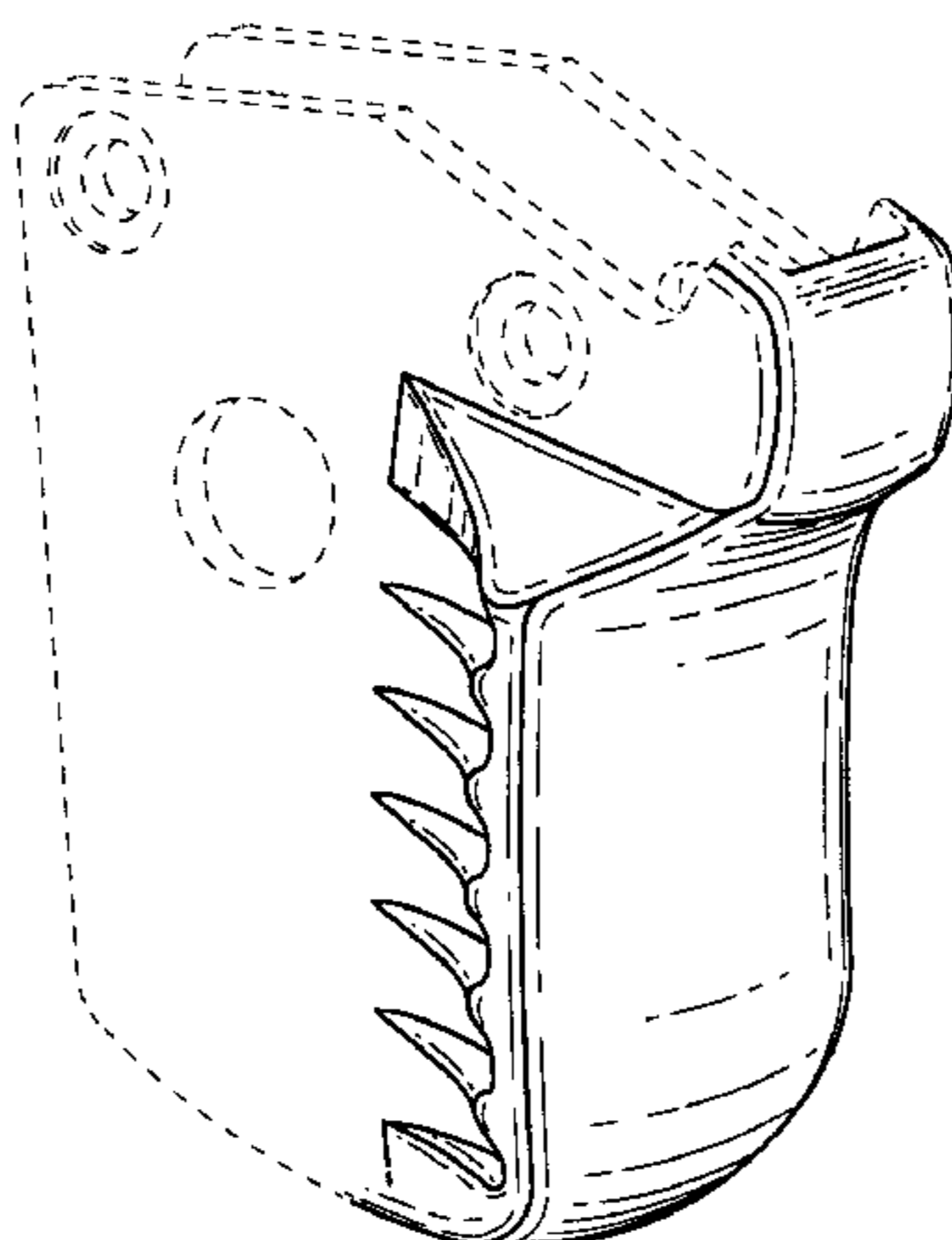
FIG. 1 is a side view of a trigger for a power tool showing our new design in condition for use with a power tool.  
 FIG. 2 is a front perspective view of a trigger for a power tool.  
 FIG. 3 is a rear perspective view of the trigger for a power tool shown in FIG. 1.  
 FIG. 4 is a top view of the trigger for a power tool shown in FIG. 1.  
 FIG. 5 is a front view of the trigger for a power tool shown in FIG. 1.  
 FIG. 6 is a left side view of the trigger for a power tool shown in FIG. 1.  
 FIG. 7 is a rear view of the trigger for a power tool shown in FIG. 1; and,  
 FIG. 8 is a bottom view of the trigger for a power tool shown in FIG. 1.  
 The broken line showing of a power tool and portions of the trigger for a power tool are for illustrative purposes only and form no part of the claimed design.

(56) **References Cited**

U.S. PATENT DOCUMENTS

2,701,288 A	2/1955	Russell et al.
2,928,921 A	3/1960	Cranmore
3,117,206 A	1/1964	Bush
3,222,488 A	12/1965	Matthews
3,329,789 A	7/1967	Sahrbacker
RE26,267 E	9/1967	Matthews
3,352,368 A	11/1967	Maffey, Jr.
3,383,943 A	5/1968	Piber
3,579,002 A *	5/1971	Wickham ..... 310/50
3,711,666 A	1/1973	Sahrbacker
3,745,286 A	7/1973	Sahrbacker
3,829,645 A	8/1974	Piber
3,872,274 A	3/1975	Piber
3,881,081 A	4/1975	Schilling et al.
3,936,708 A	2/1976	Dummer

**1 Claim, 4 Drawing Sheets**



# US D535,862 S

Page 2

## U.S. PATENT DOCUMENTS

5,165,531	A	11/1992	Kawakami et al.				
5,205,540	A	* 4/1993	Clapp	251/339			
D337,038	S	* 7/1993	Sakamoto et al.	D8/68			
5,298,705	A	3/1994	Sachs				
D350,884	S	* 9/1994	Sperling et al.	D8/30			
5,428,197	A	6/1995	McCurry et al.				
5,449,870	A	9/1995	Riedel et al.				
5,579,902	A	12/1996	Kress				
5,638,945	A	6/1997	Fukinuki et al.				
5,695,095	A	12/1997	Hildebrand				
5,767,502	A	6/1998	Ferland et al.				
6,153,838	A	* 11/2000	Wadge	200/61.58 R			
6,164,387	A	12/2000	Chang				
6,218,633	B1	4/2001	Okumura et al.				
6,244,358	B1	6/2001	Beer et al.				
6,555,773	B1	* 4/2003	Broghammer et al.	310/50			
6,664,490	B2	* 12/2003	Kato	200/332.2			
D488,968	S	* 4/2004	Kinerson et al.	D8/70			
6,749,028	B1	* 6/2004	Chan et al.	310/50			
D493,344	S	* 7/2004	Watson	D8/68			
6,784,390	B2	* 8/2004	Chu	200/522			
6,812,425	B1	* 11/2004	Wong	200/522			
D503,879	S	* 4/2005	Watson	D8/68			
D504,493	S	* 4/2005	Huang	D23/226			
D514,933	S	* 2/2006	Bitowft et al.	D9/443			
2004/0149553	A1	* 8/2004	Duffek et al.	200/61.58 R			
2005/0205406	A1	* 9/2005	Wong	200/522			

\* cited by examiner

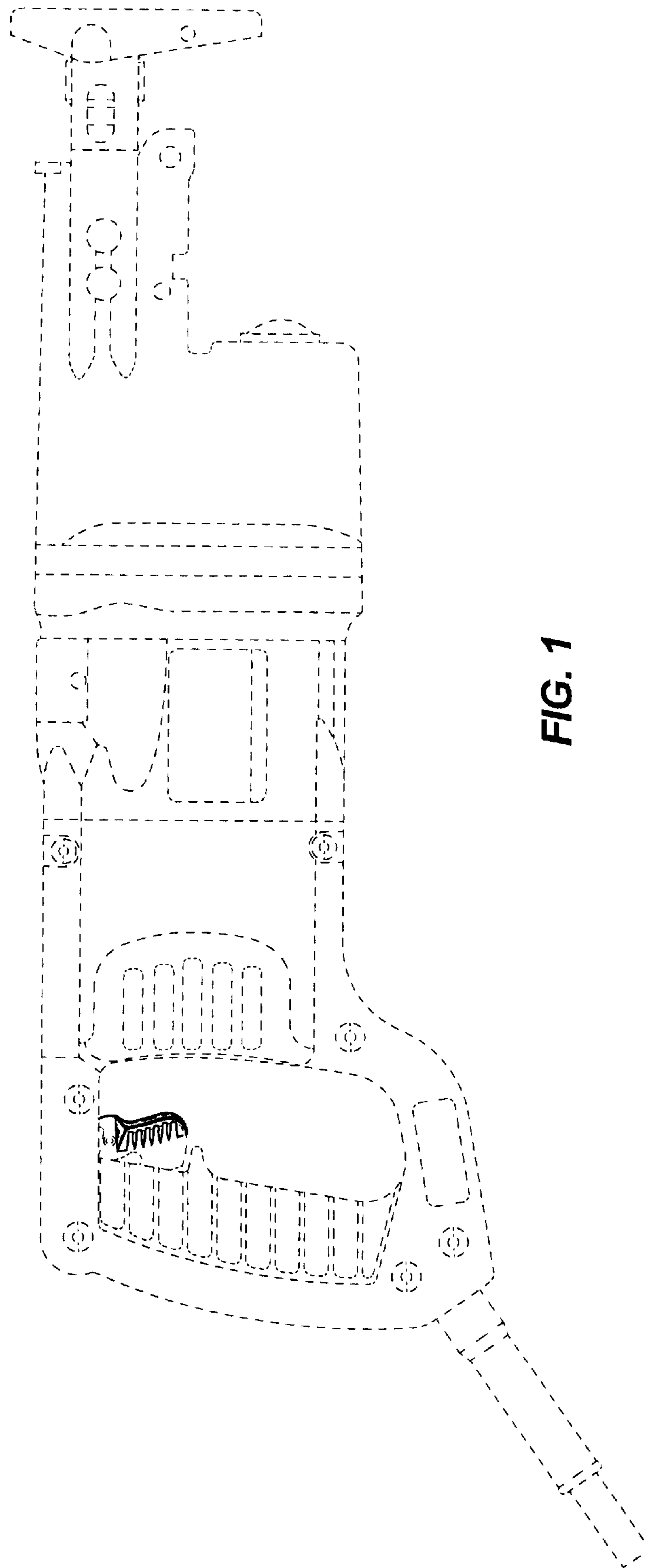
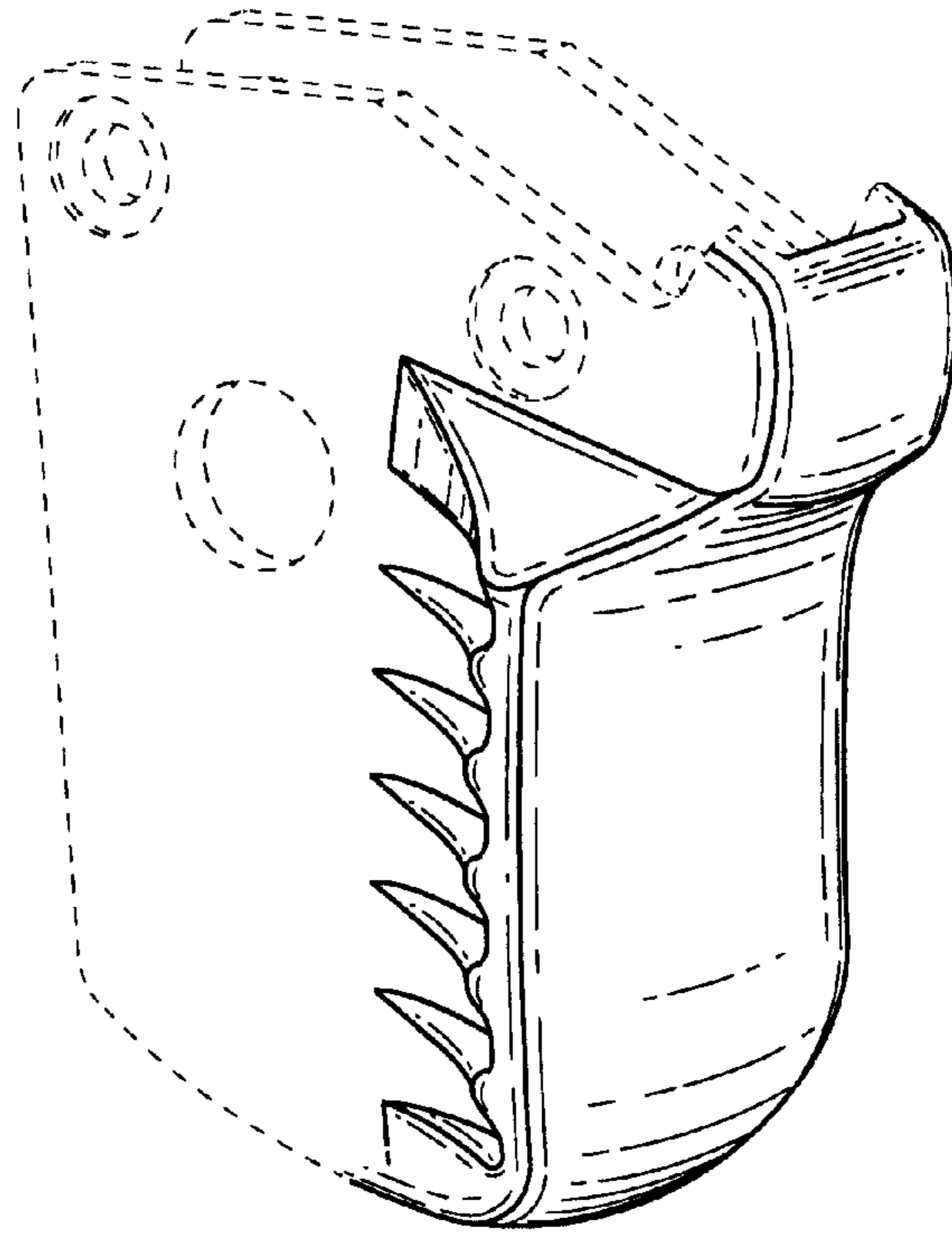
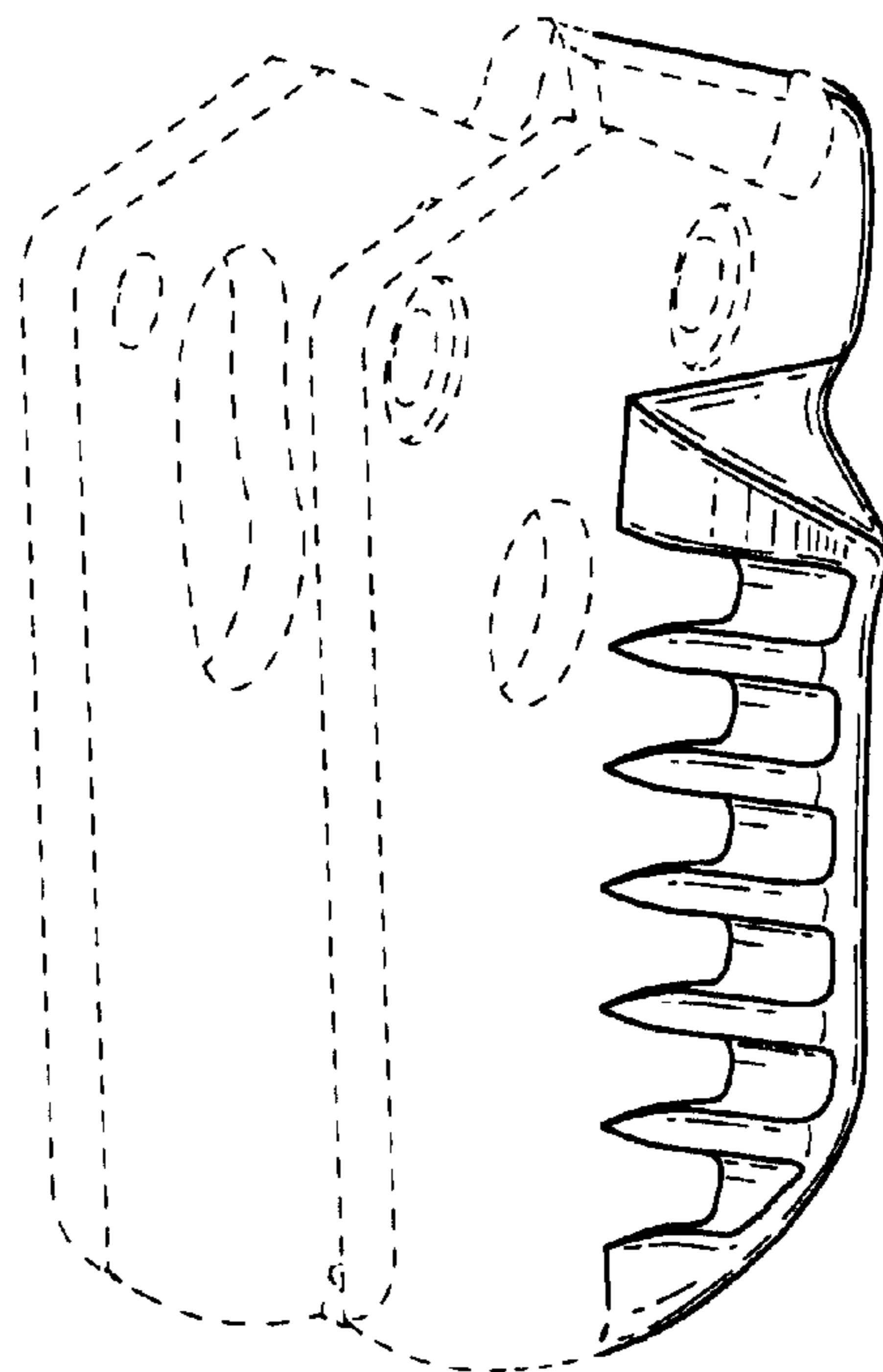


FIG. 1



**FIG. 2**



**FIG. 3**

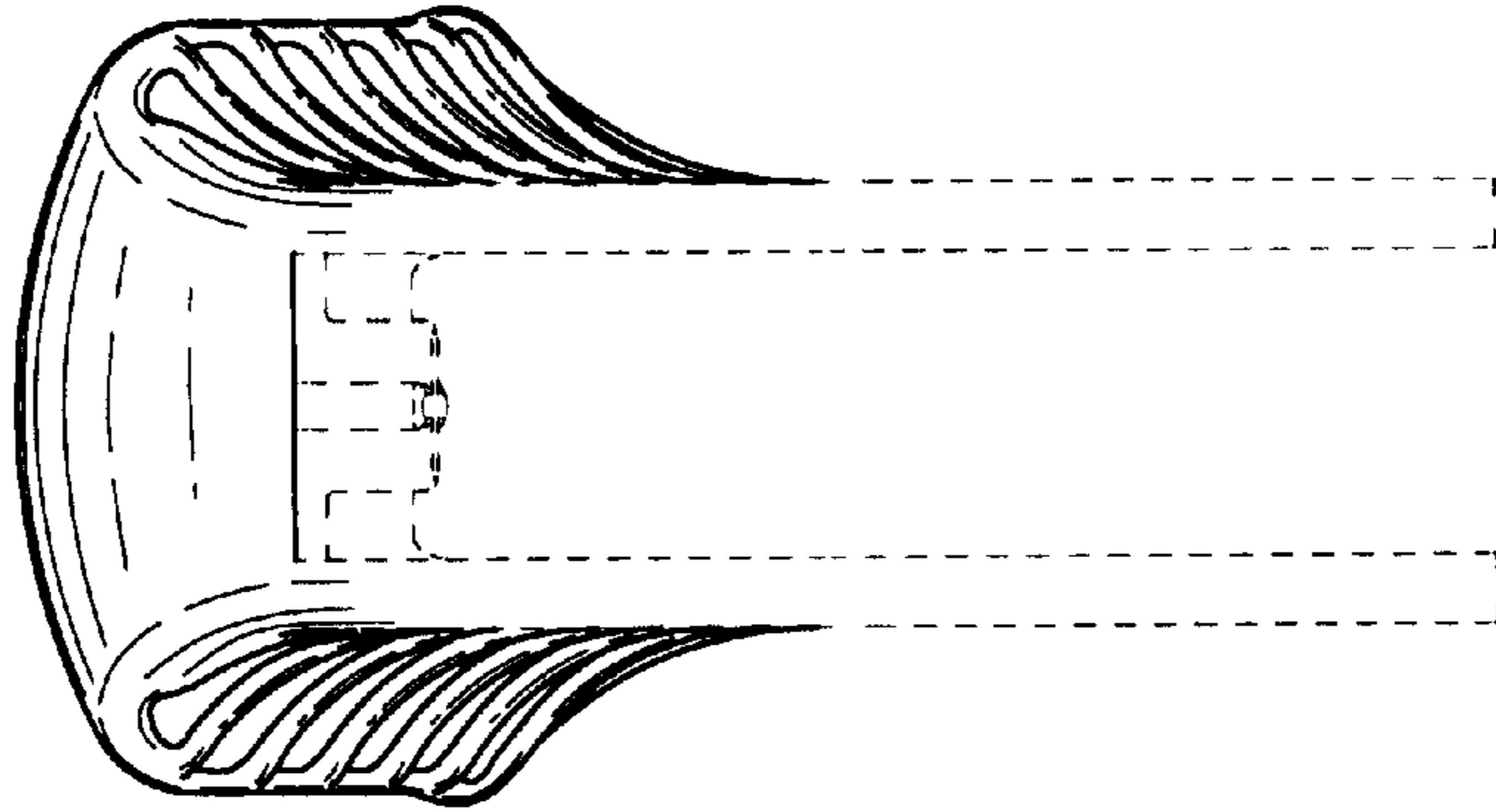


FIG. 4

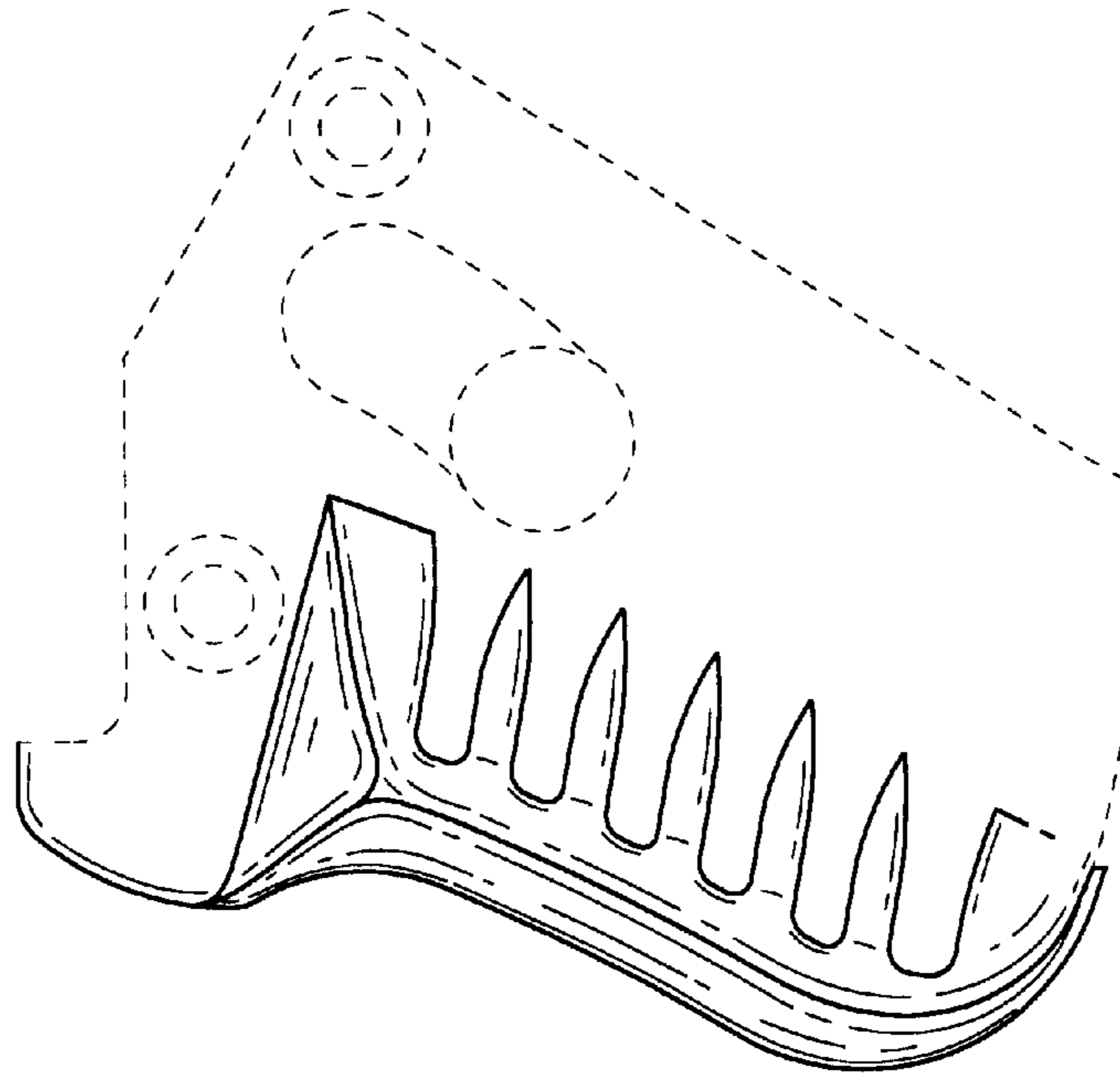


FIG. 6

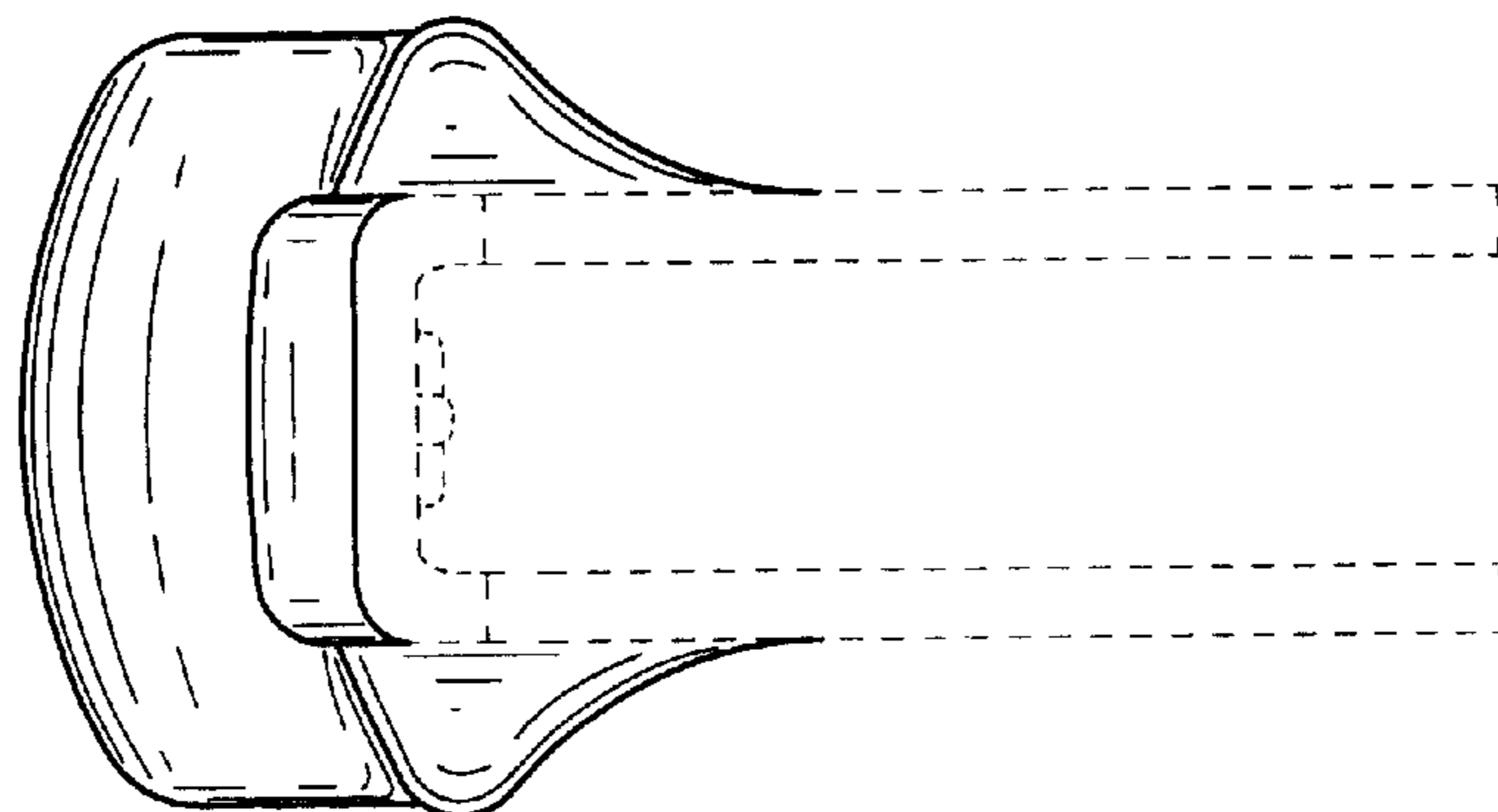
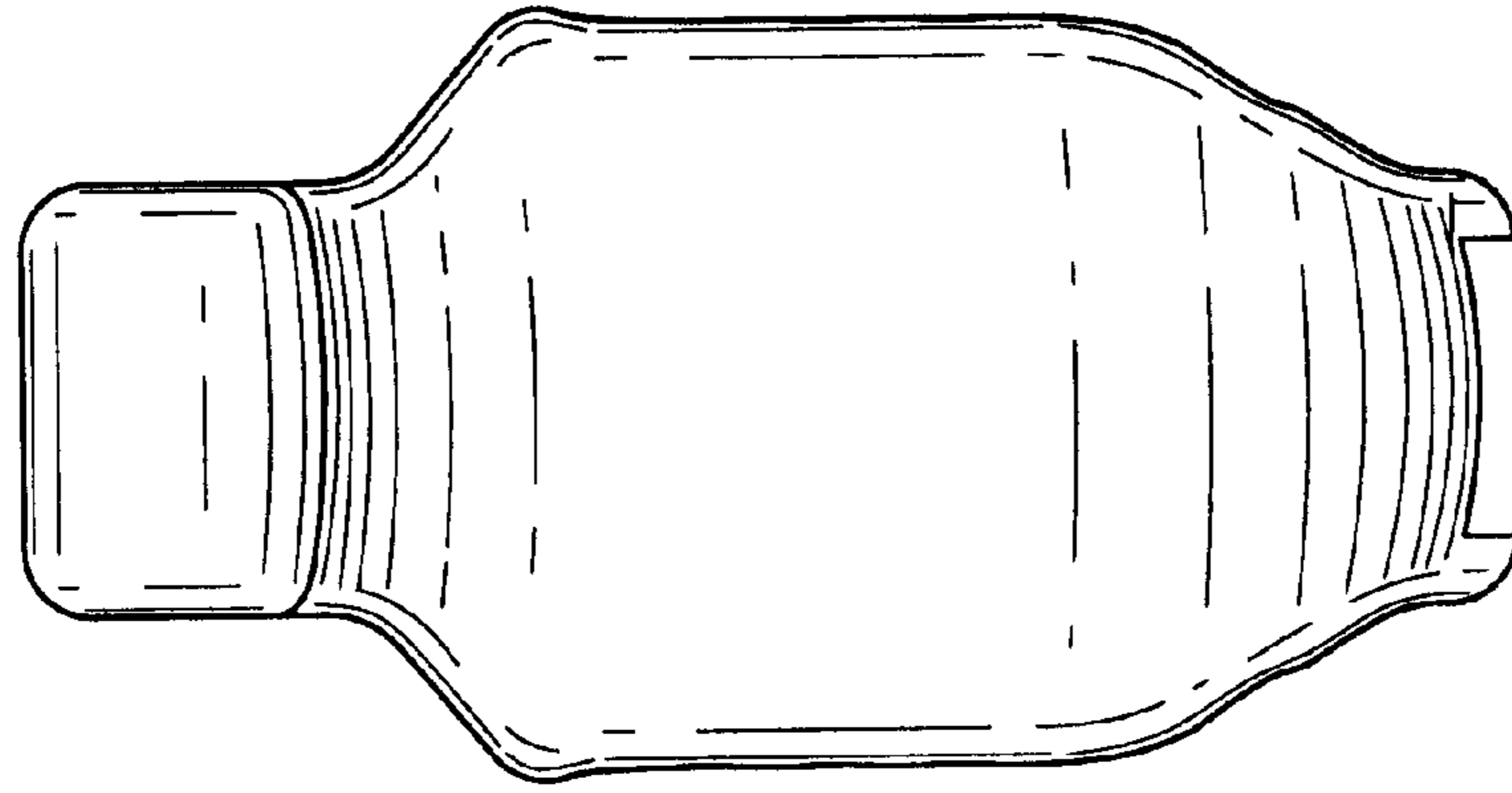
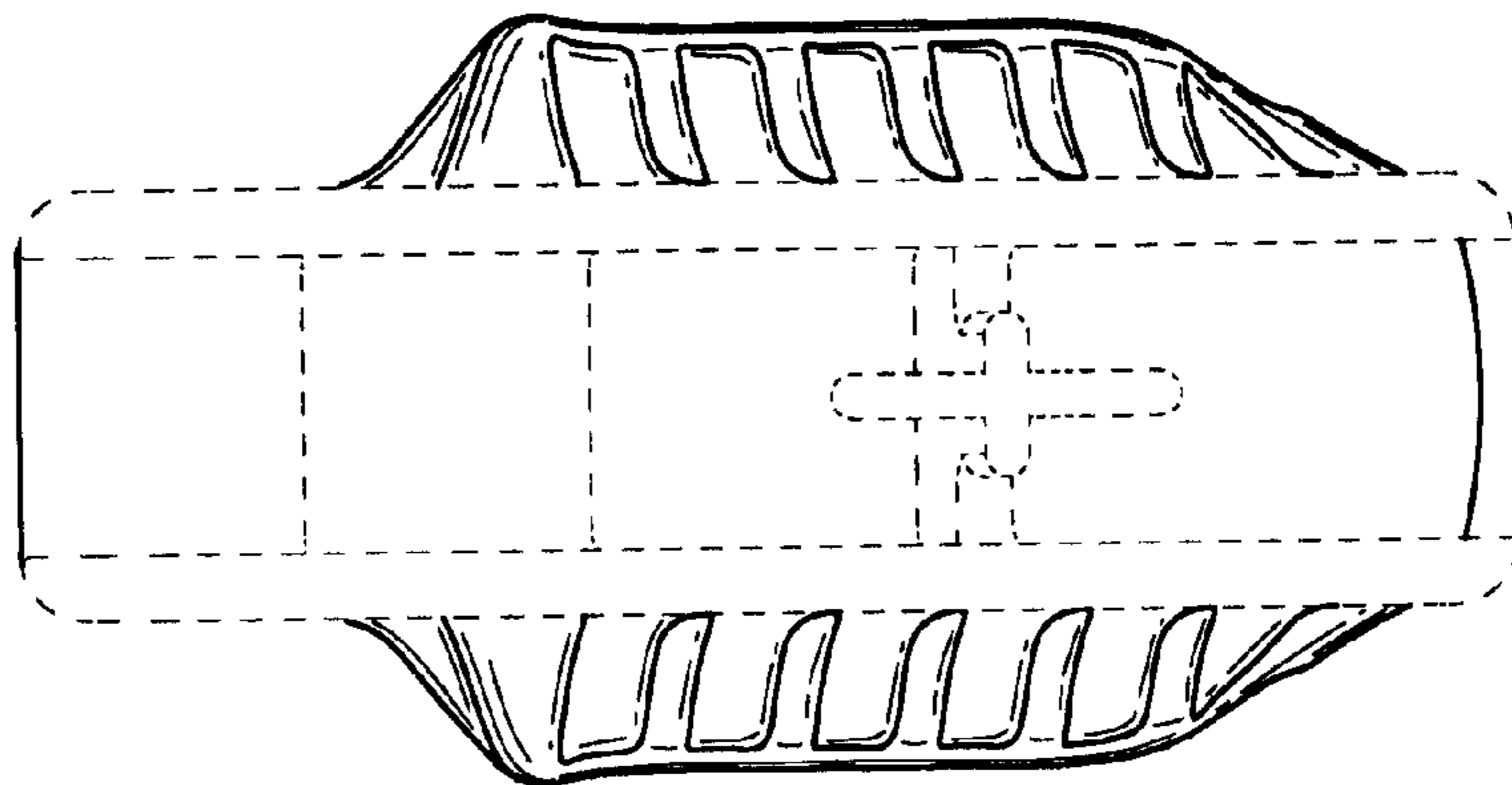


FIG. 8





**FIG. 5**



**FIG. 7**