

US00D535860S

(12) **United States Design Patent**
Cooper

(10) **Patent No.:** **US D535,860 S**

(45) **Date of Patent:** **** Jan. 30, 2007**

(54) **DRILL**

(75) Inventor: **Vincent P. Cooper**, Baltimore, MD
(US)

(73) Assignee: **Black & Decker Inc.**, Newark, DE
(US)

(**) Term: **14 Years**

(21) Appl. No.: **29/188,255**

(22) Filed: **Aug. 15, 2003**

(51) **LOC (8) Cl.** **08-01**

(52) **U.S. Cl.** **D8/68**

(58) **Field of Classification Search** D8/14.1,
D8/61, 62, 63, 64, 65, 66, 67, 68, 69, 70;
81/57.11, 429, 464, 465, 466, 469, 489; 173/13,
173/169, 178, 213, 217; 227/8, 114, 120,
227/130, 136, 142; 310/50; 408/20, 124,
408/125, 234, 241 R; 451/358

See application file for complete search history.

(56) **References Cited**

U.S. PATENT DOCUMENTS

3,699,366	A	*	10/1972	Wood	310/50
4,820,090	A	*	4/1989	Chen		
D326,598	S	*	6/1992	Sakamoto et al.	D8/68
D394,995	S	*	6/1998	Cooper	D8/68
D400,074	S	*	10/1998	Cooper		
D403,565	S	*	1/1999	Chung		
D406,742	S	*	3/1999	Schoen et al.		
5,984,022	A	*	11/1999	Harman et al.	81/57.11
D418,730	S	*	1/2000	Main	D8/68
D462,592	S	*	9/2002	Cooper	D8/68
D464,858	S	*	10/2002	Netzler	D8/68
D467,148	S	*	12/2002	Flickinger	D8/68
D467,482	S	*	12/2002	Kunz et al.	D8/68
D467,781	S	*	12/2002	Kunz et al.	D8/68
D470,027	S	*	2/2003	Chunn et al.	D8/68
D470,378	S	*	2/2003	Chunn et al.	D8/68
D470,379	S	*	2/2003	Andriolo		
D471,419	S	*	3/2003	Chunn et al.		
D474,953	S	*	5/2003	Santarsiero et al.	D8/68
6,702,530	B2	*	3/2004	Bennage et al.	408/241 R
6,707,198	B1	*	3/2004	Debelius	310/50

2003/0165366 A1 * 9/2003 Bennage et al. 408/241 R

* cited by examiner

Primary Examiner—James Gandy

Assistant Examiner—T. Chase Nelson

(74) *Attorney, Agent, or Firm*—Bruce S. Shapiro; Paul L. Ratcliffe; John Yun

(57) **CLAIM**

The ornamental design for a drill, as shown and described.

DESCRIPTION

FIG. 1 is a right side perspective view of a drill showing my new design.

FIG. 2 is a front elevational view thereof.

FIG. 3 is a rear elevational view thereof.

FIG. 4 is a right side elevational view thereof.

FIG. 5 is a left side elevational view thereof.

FIG. 6 is a top plan view thereof.

FIG. 7 is a bottom plan view thereof.

FIG. 8 is a right side perspective view of a second embodiment of a drill.

FIG. 9 is a front elevational view of the second embodiment.

FIG. 10 is a rear elevational view of the second embodiment.

FIG. 11 is a right side elevational view of the second embodiment.

FIG. 12 is a left side elevational view of the second embodiment.

FIG. 13 is a top plan view of the second embodiment.

FIG. 14 is a bottom plan view of the second embodiment.

FIG. 15 is a right side perspective view of a third embodiment of a drill.

FIG. 16 is a front elevational view of the third embodiment.

FIG. 17 is a rear elevational view of the third embodiment.

FIG. 18 is a right side elevational view of the third embodiment.

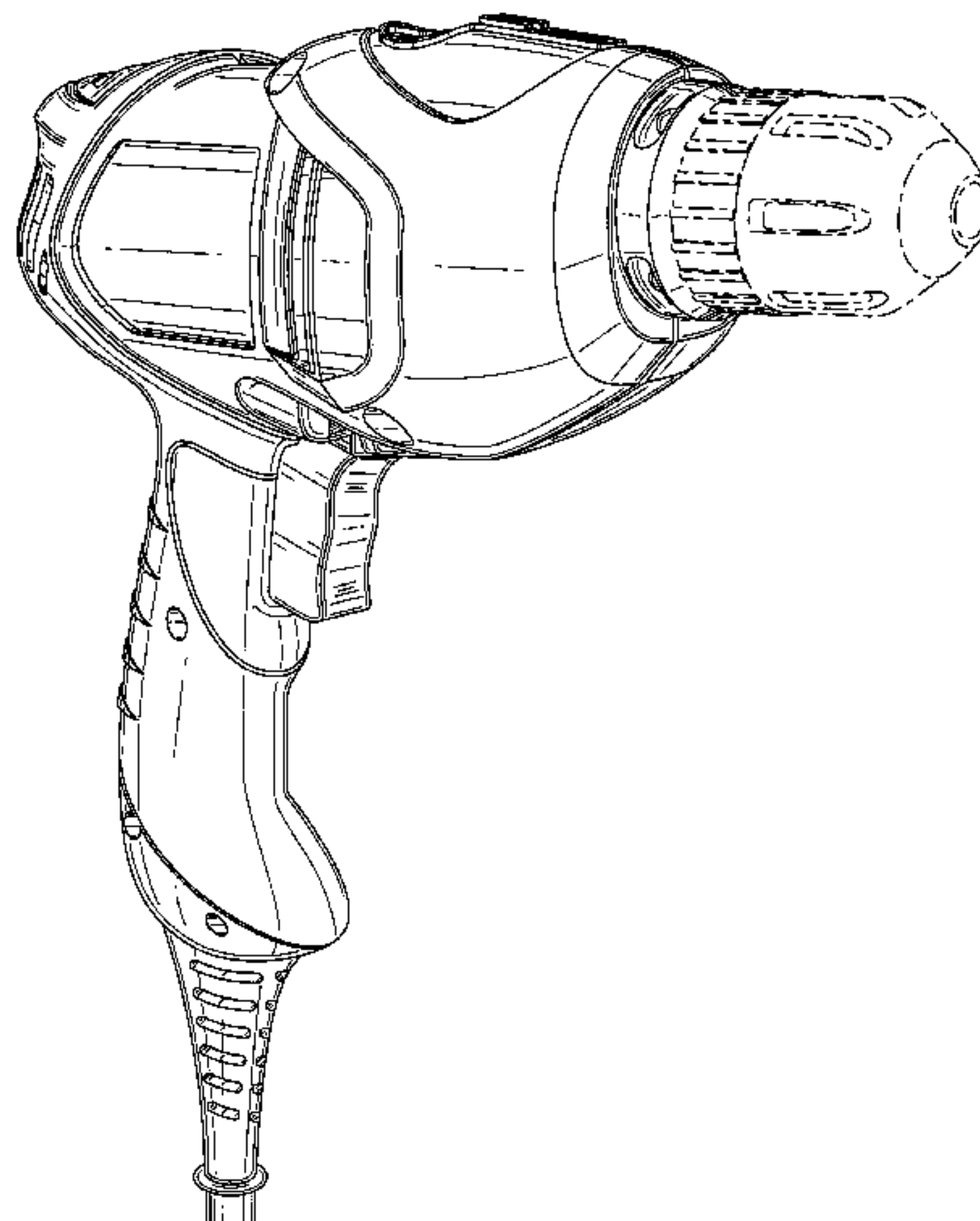
FIG. 19 is a left side elevational view of the third embodiment.

FIG. 20 is a top plan view of the third embodiment; and,

FIG. 21 is a bottom plan view of the third embodiment.

The broken line showing of environmental structure is for illustrative purposes only and forms no part of the claimed design.

1 Claim, 21 Drawing Sheets



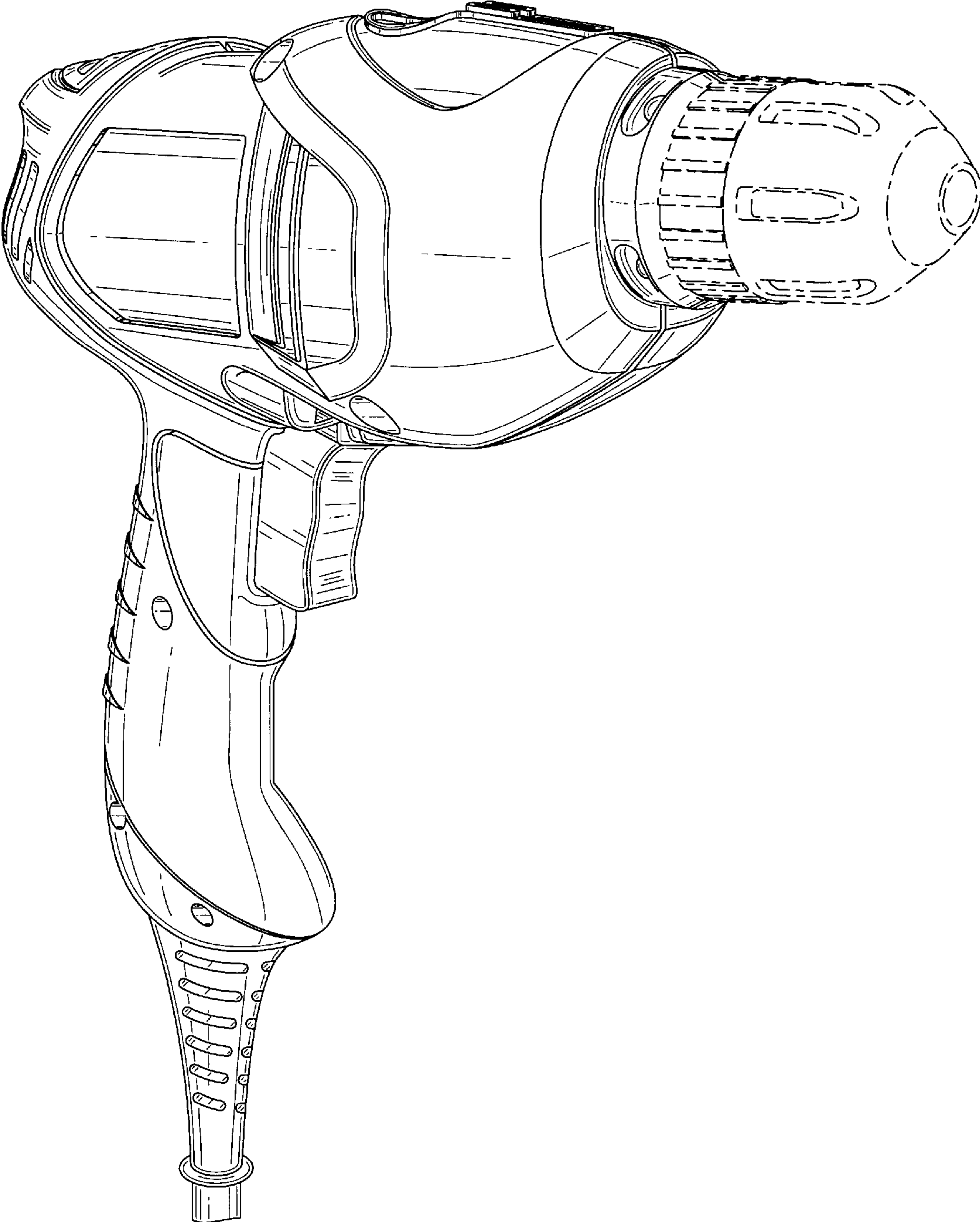


FIG. 1

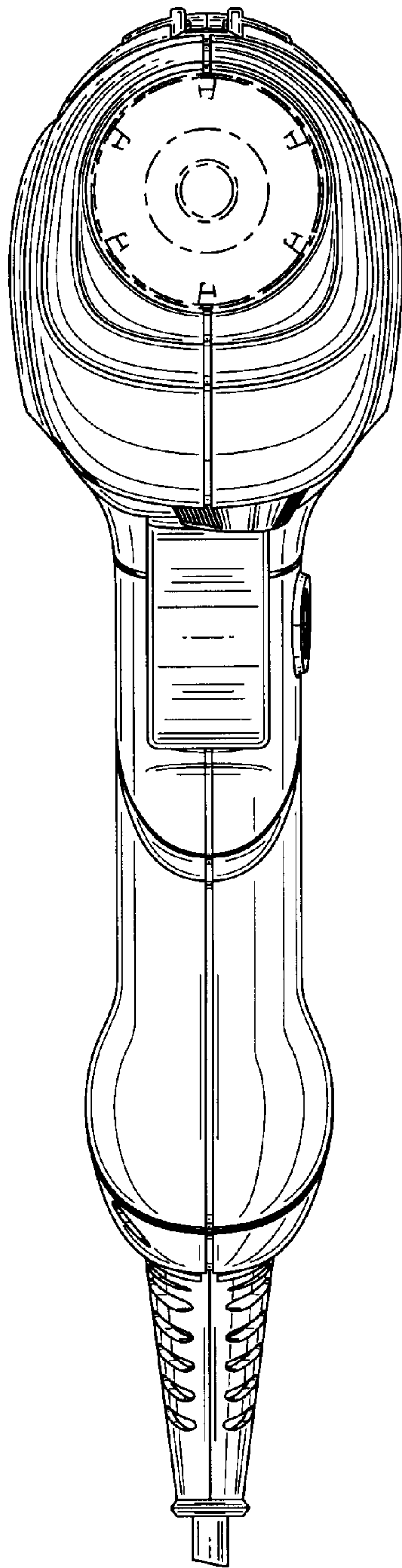


FIG. 2

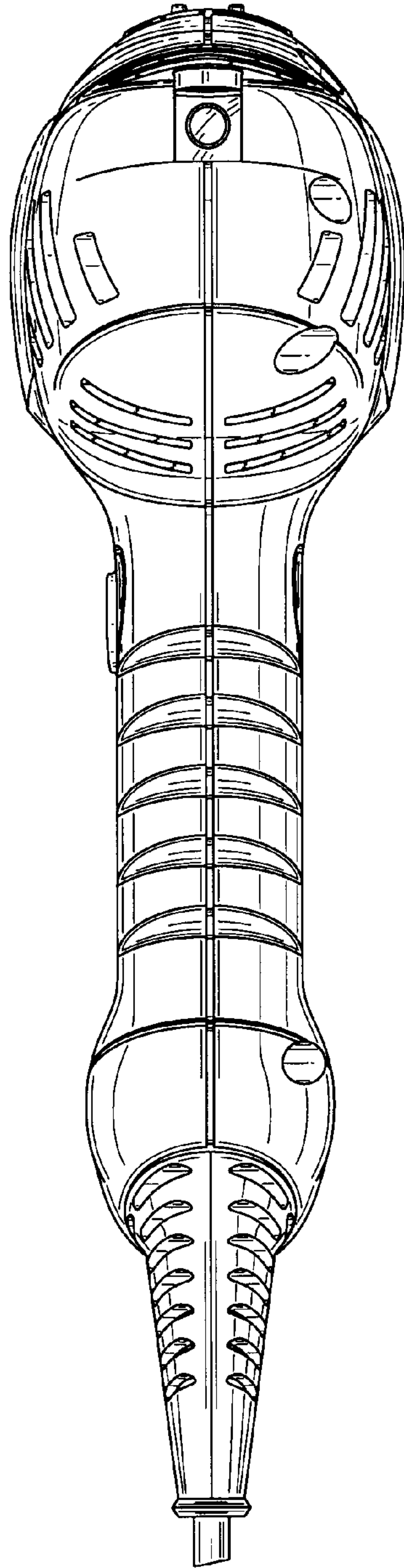


FIG. 3

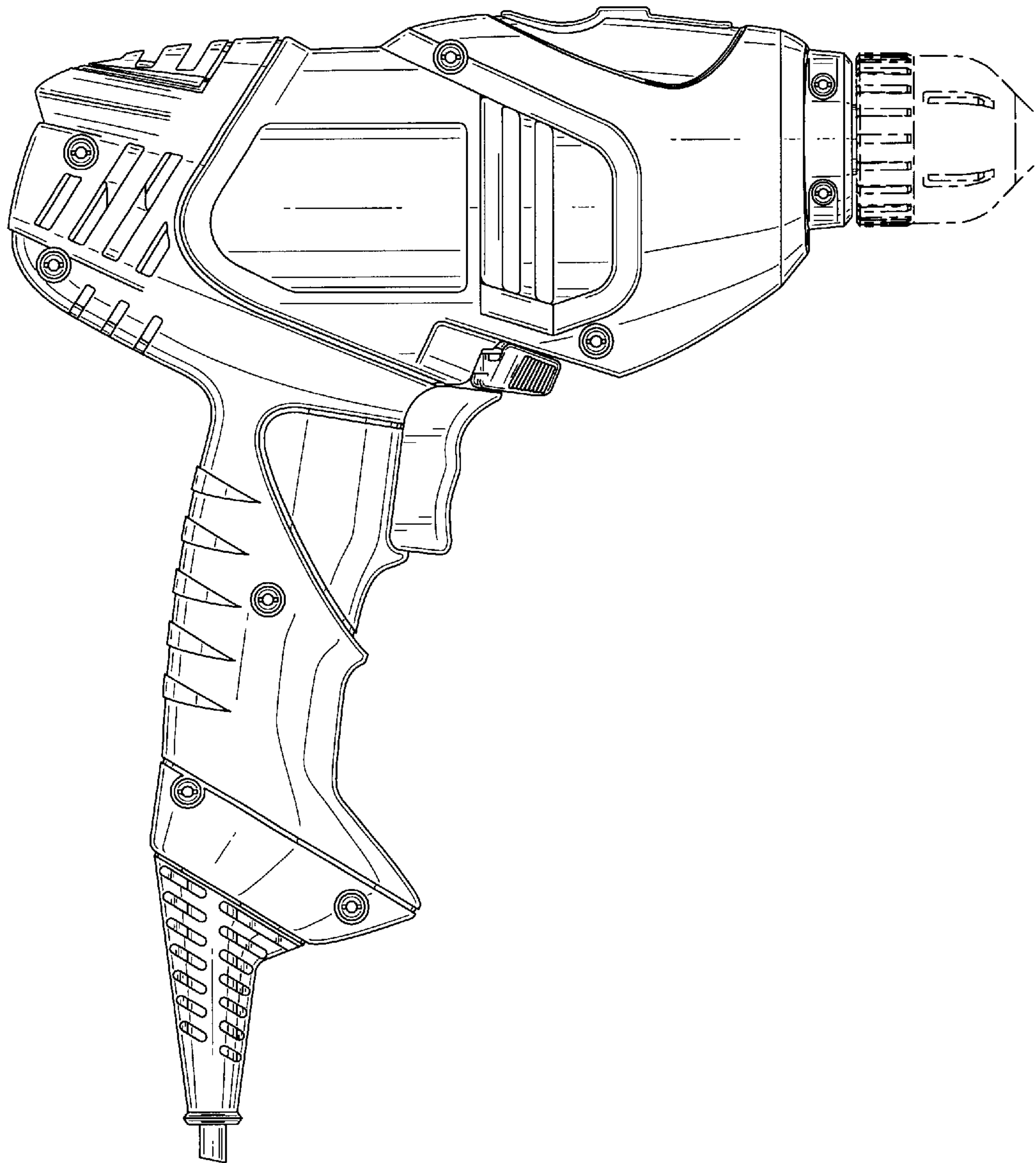


FIG. 4

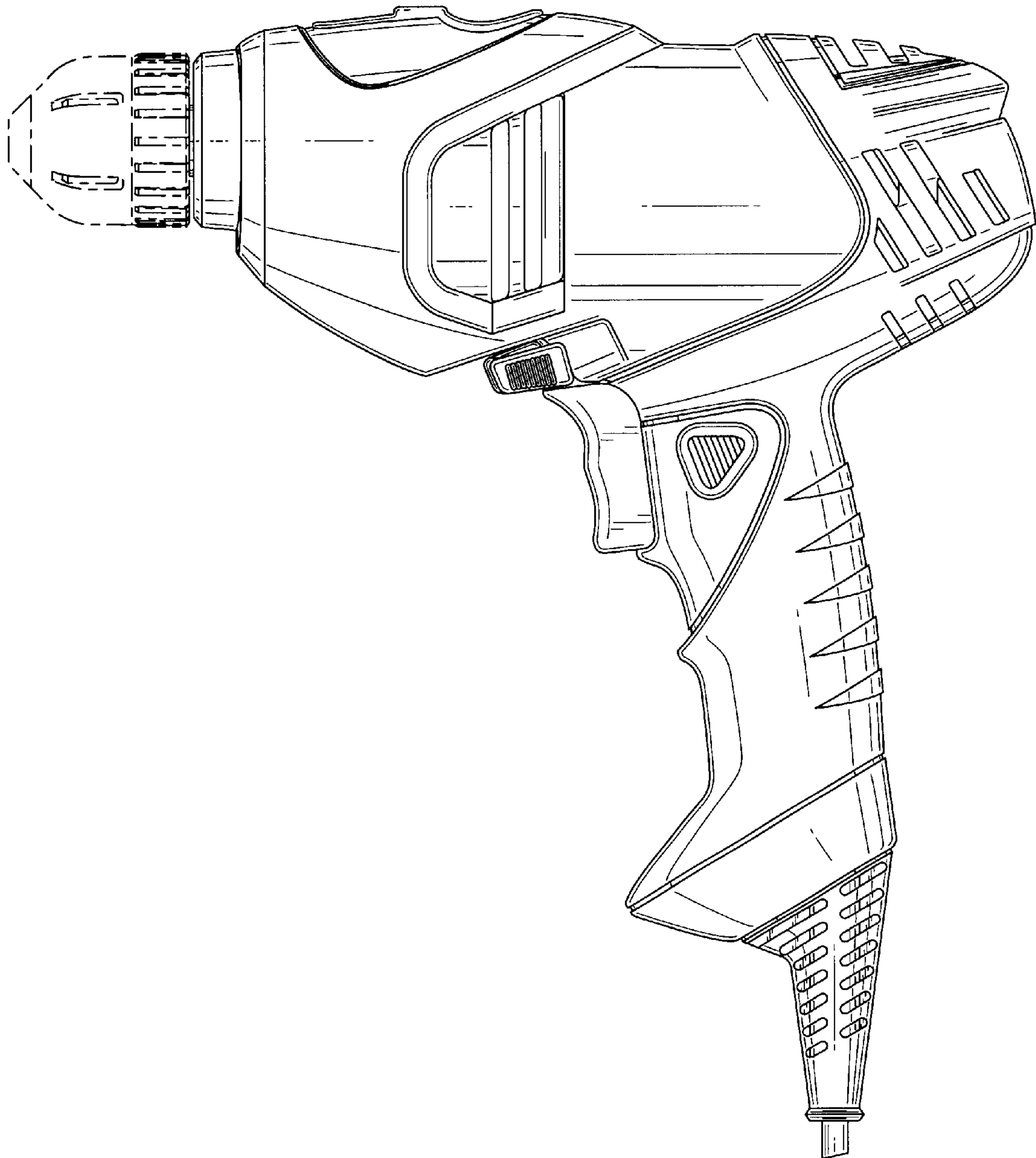


FIG. 5

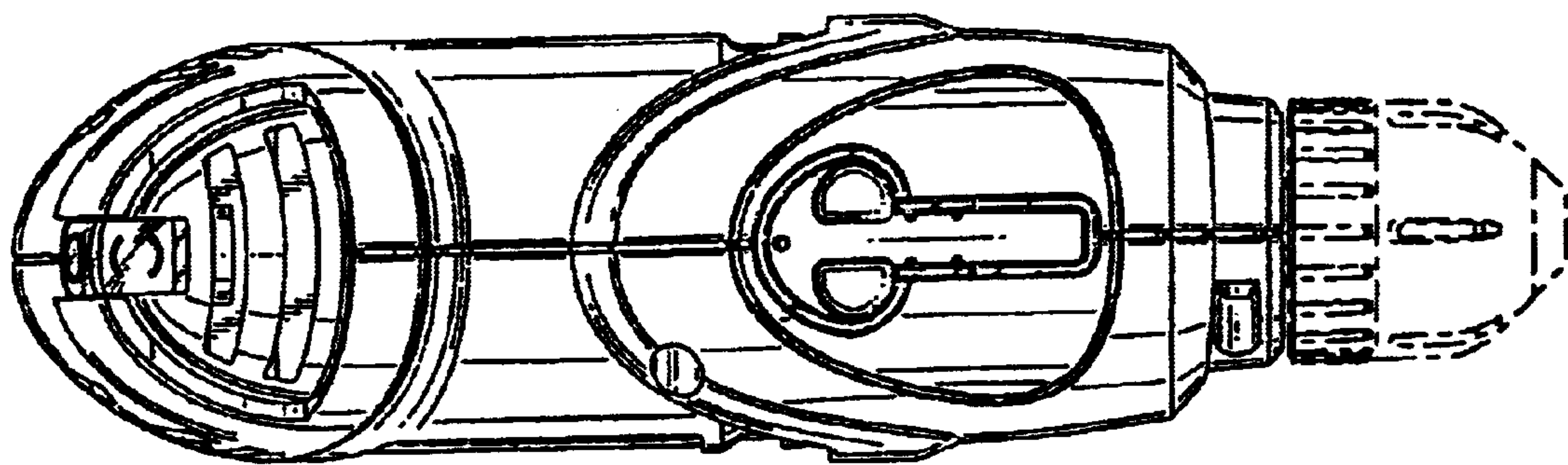


FIG. 6

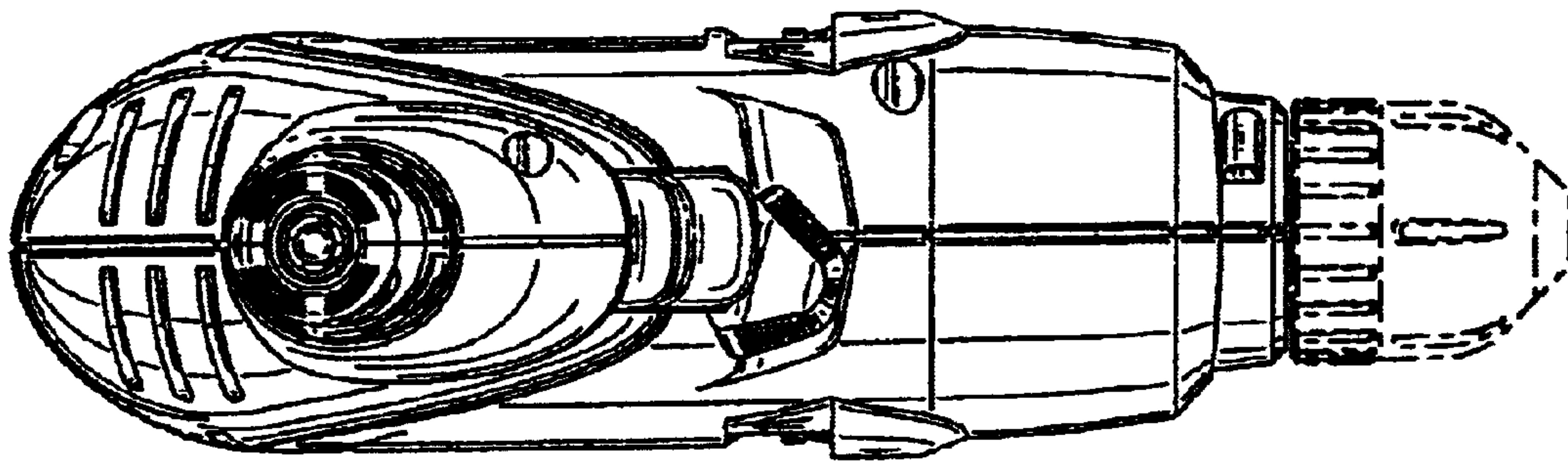


FIG. 7

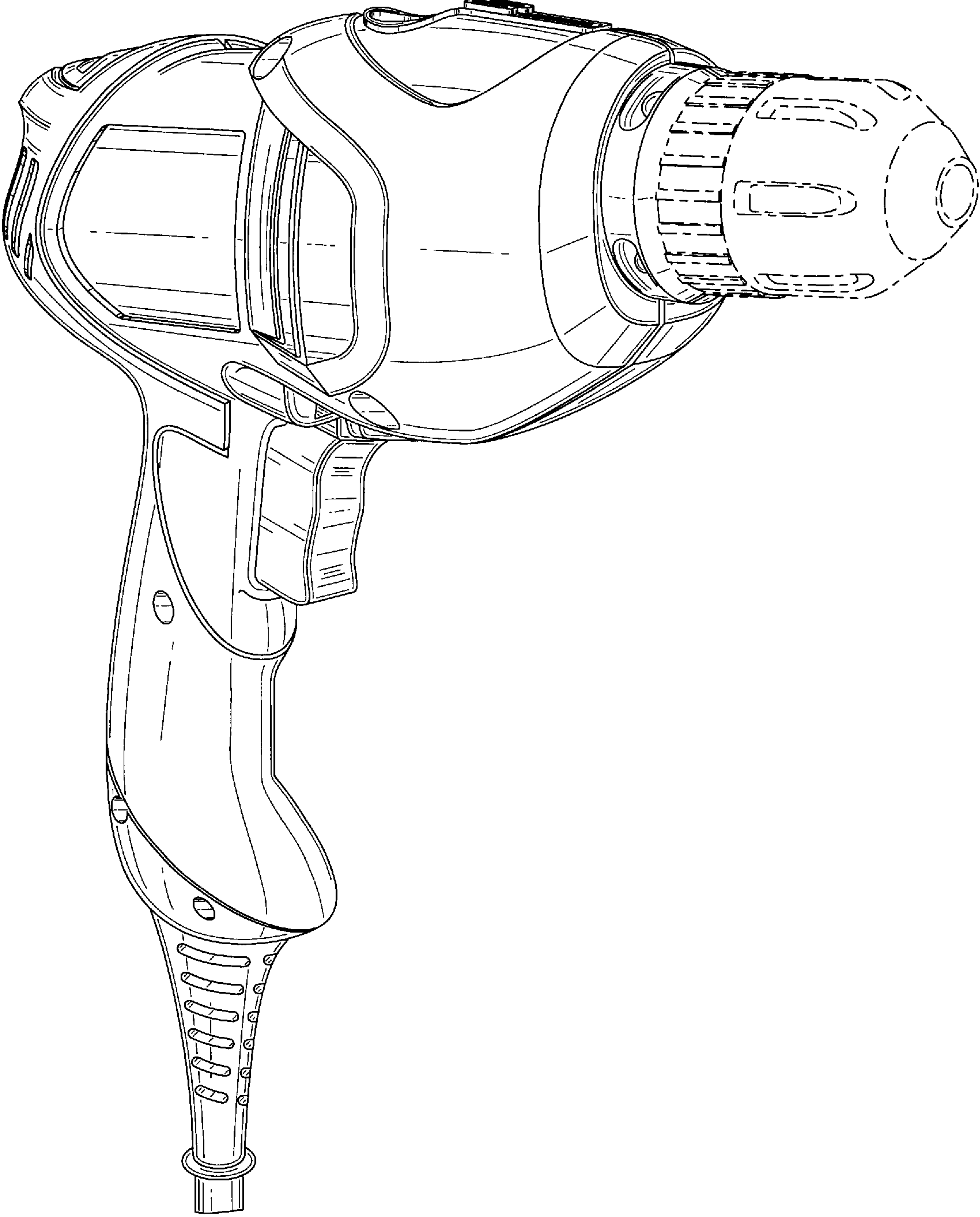


FIG. 8

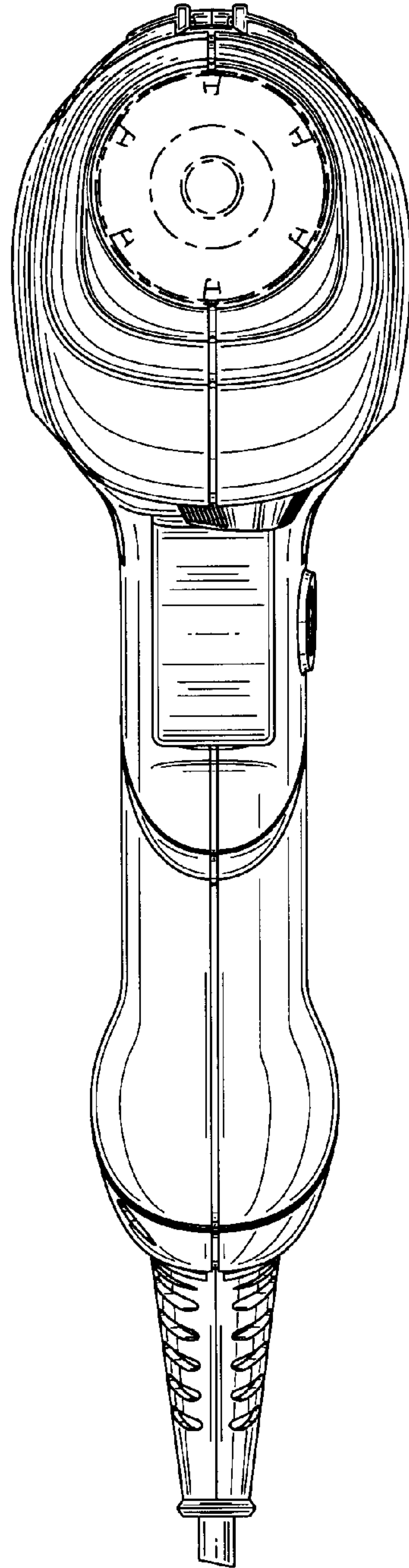


FIG. 9

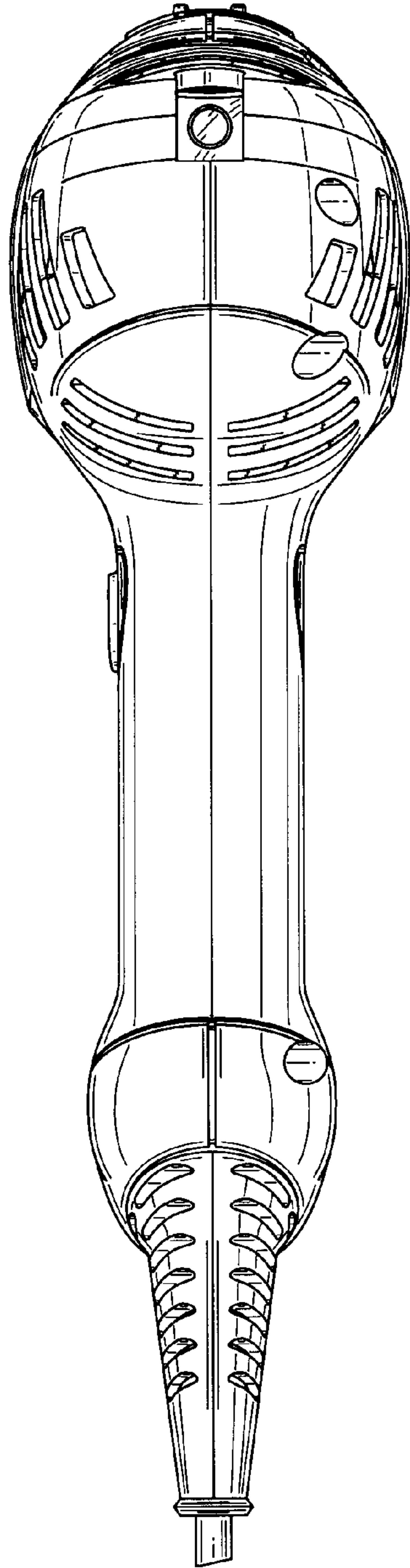


FIG. 10

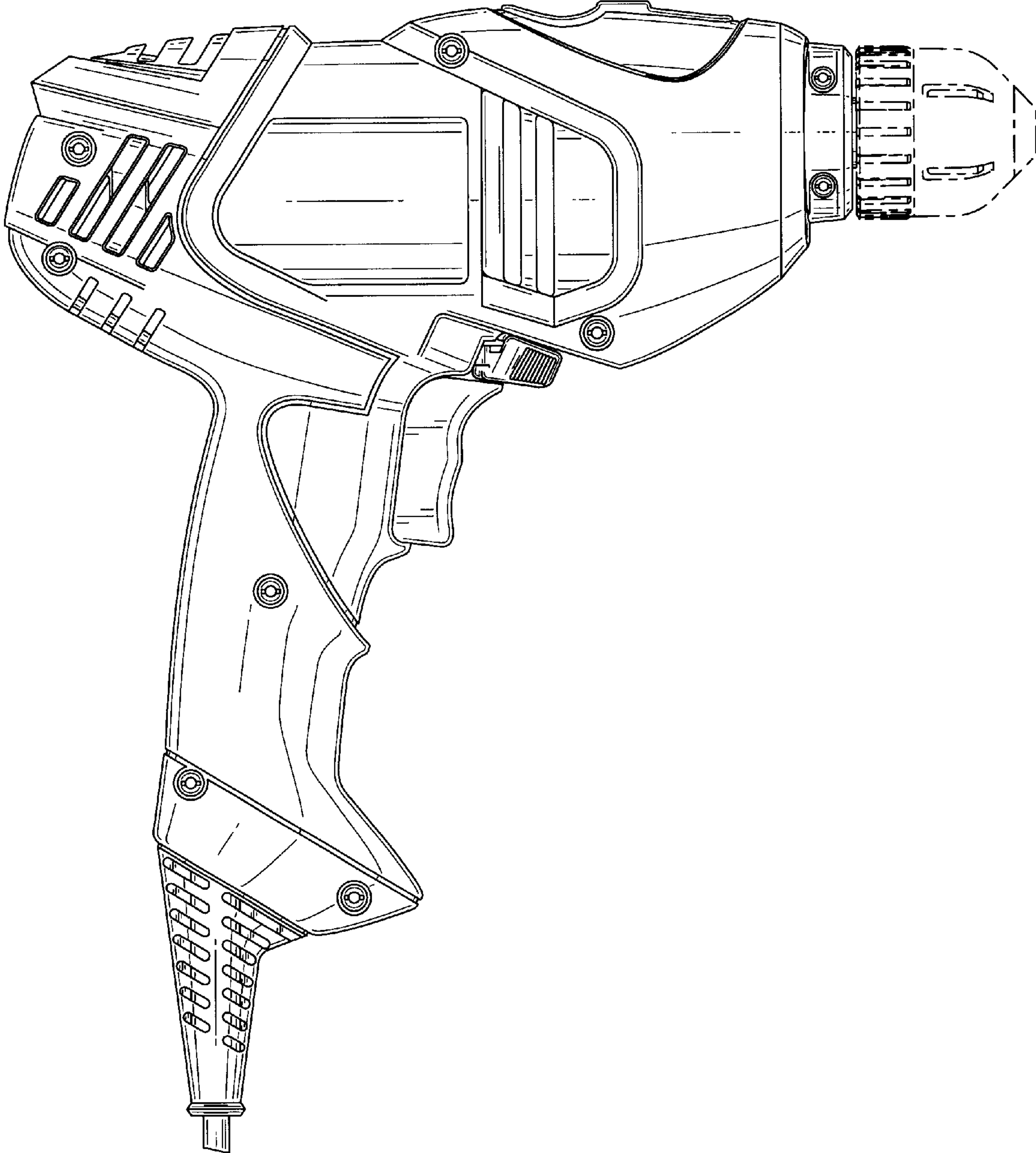


FIG. 11

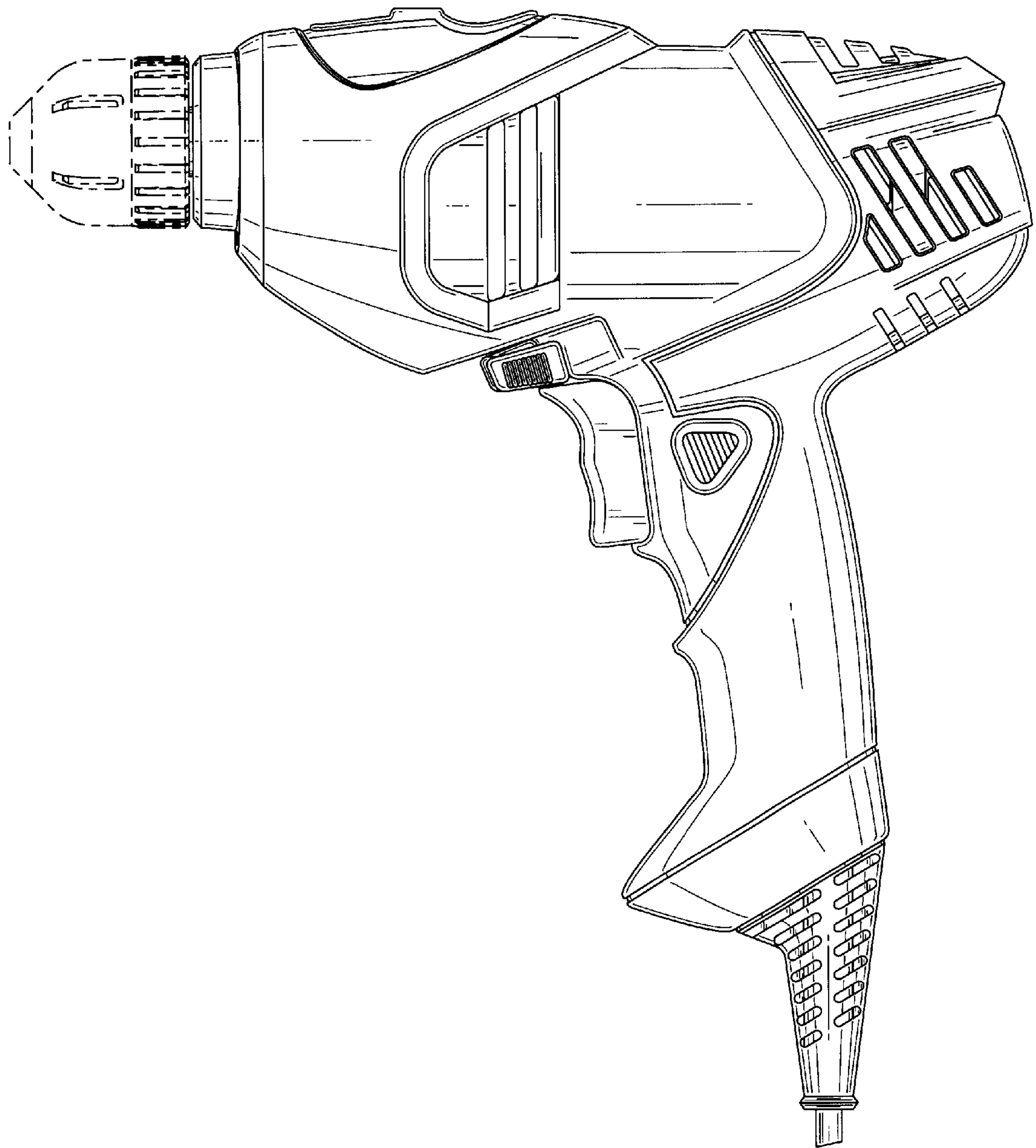


FIG. 12

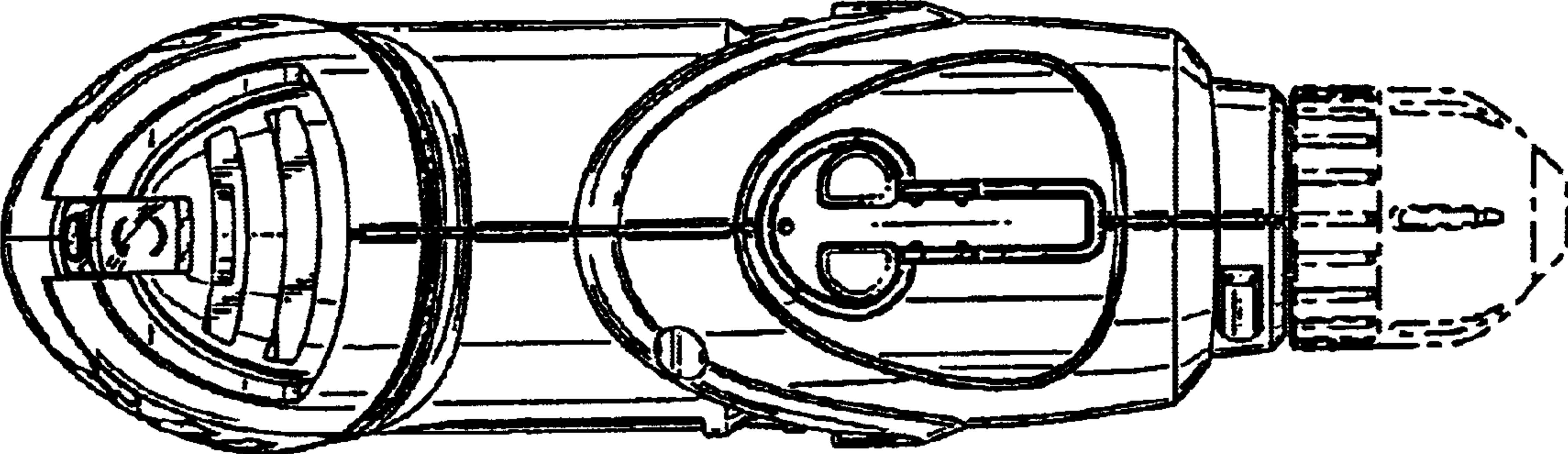


FIG. 13

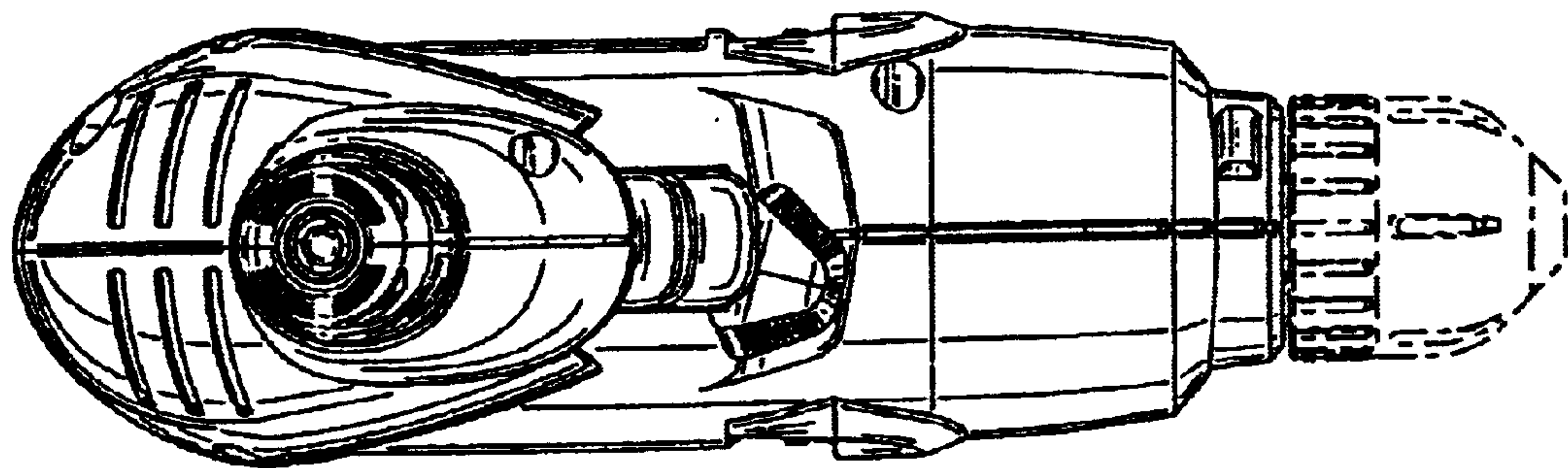


FIG. 14

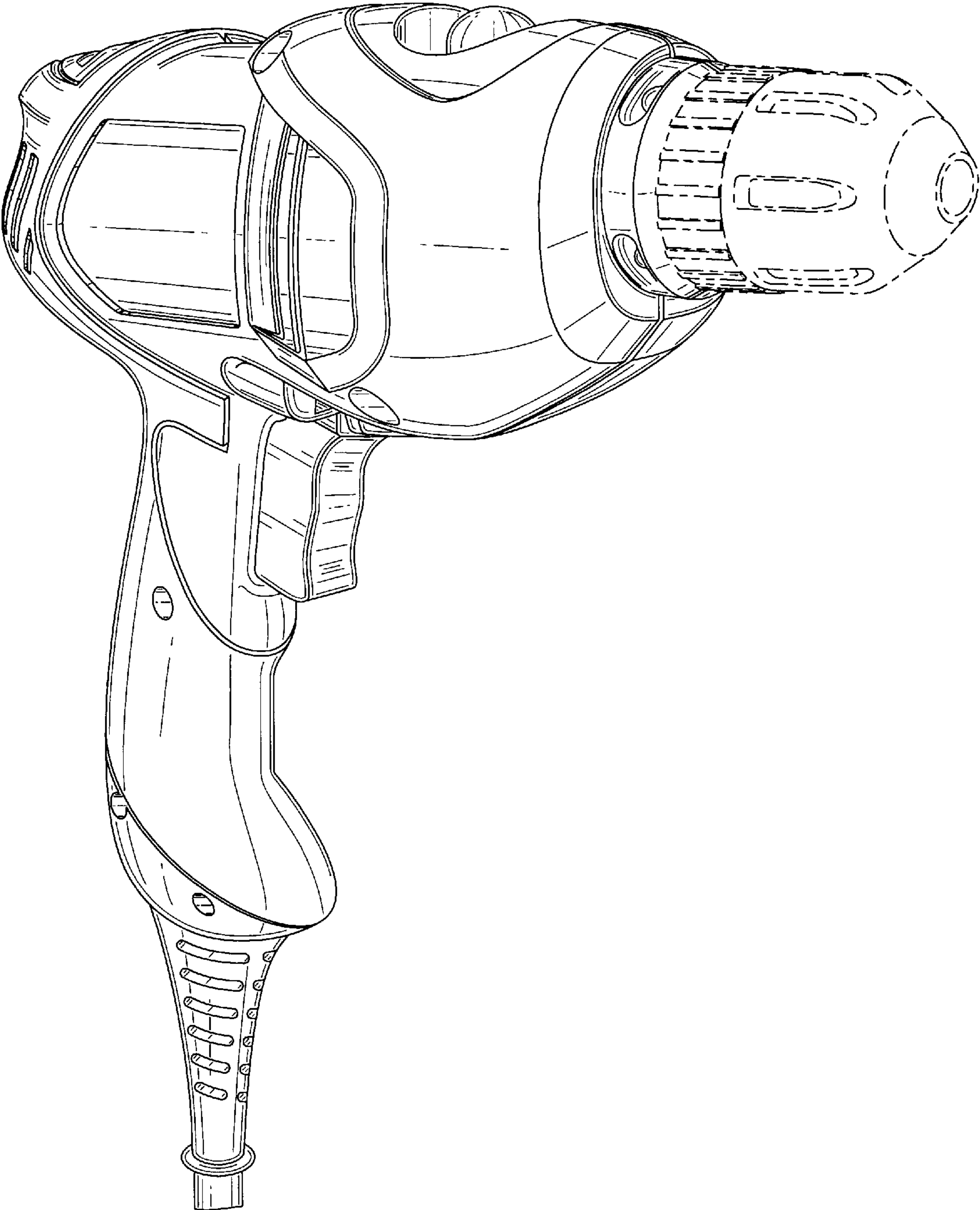


FIG. 15

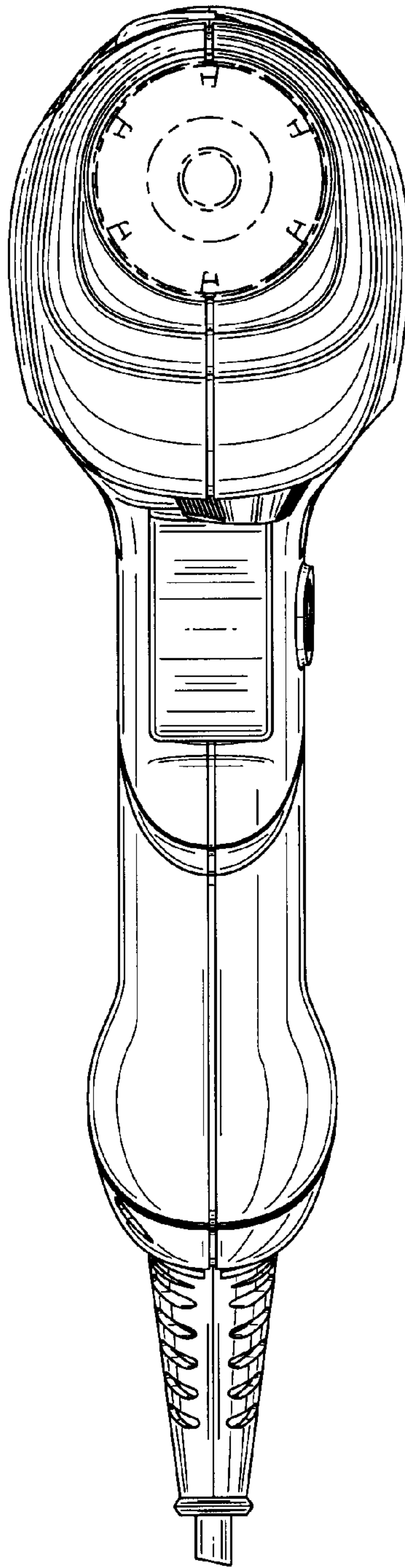


FIG. 16

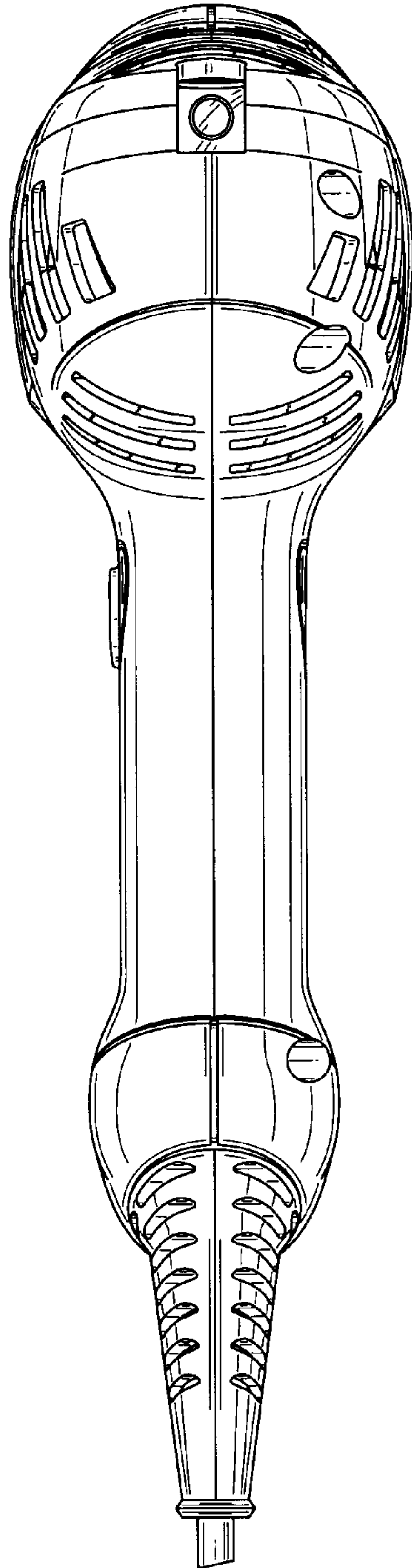


FIG. 17

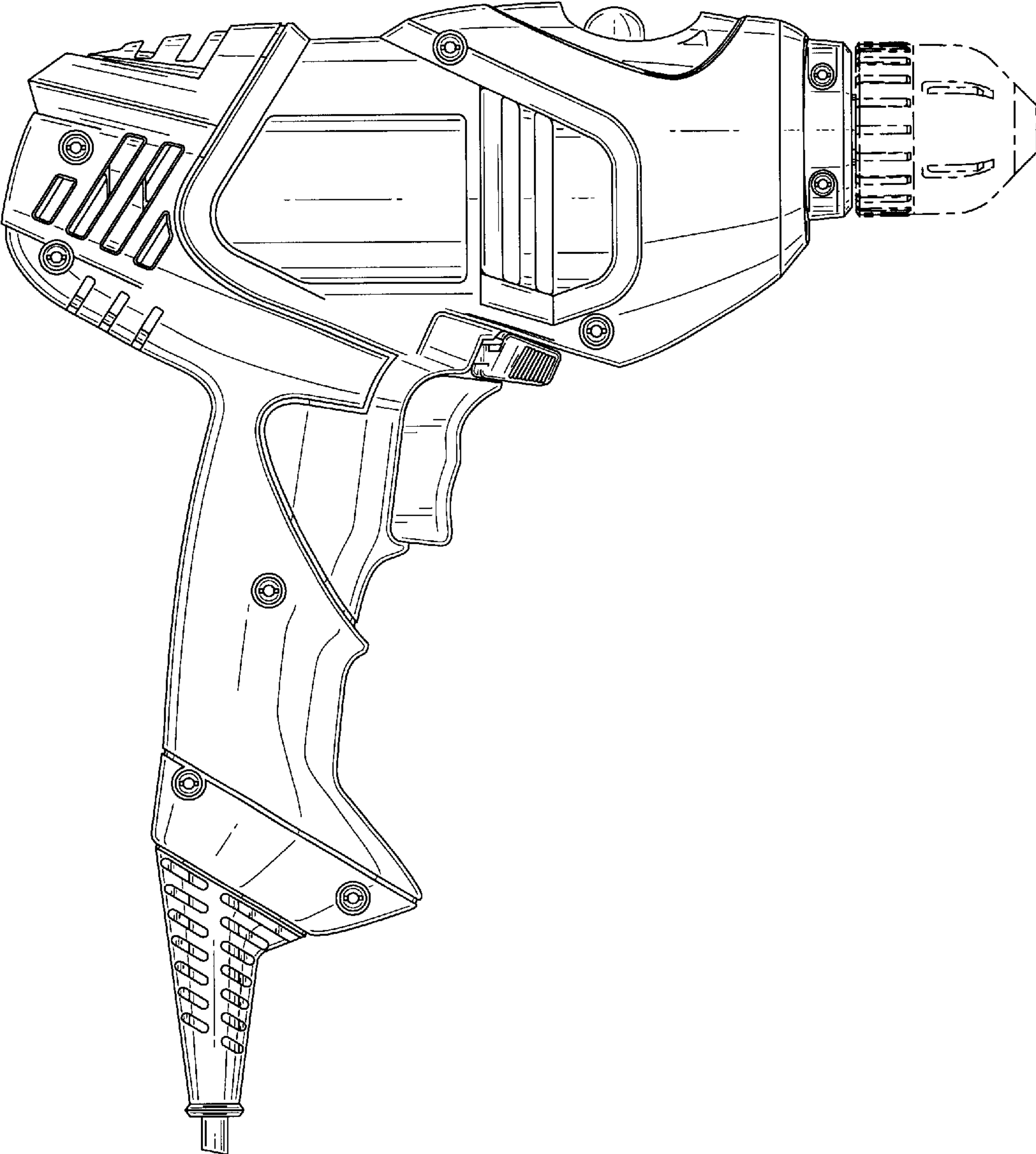


FIG. 18

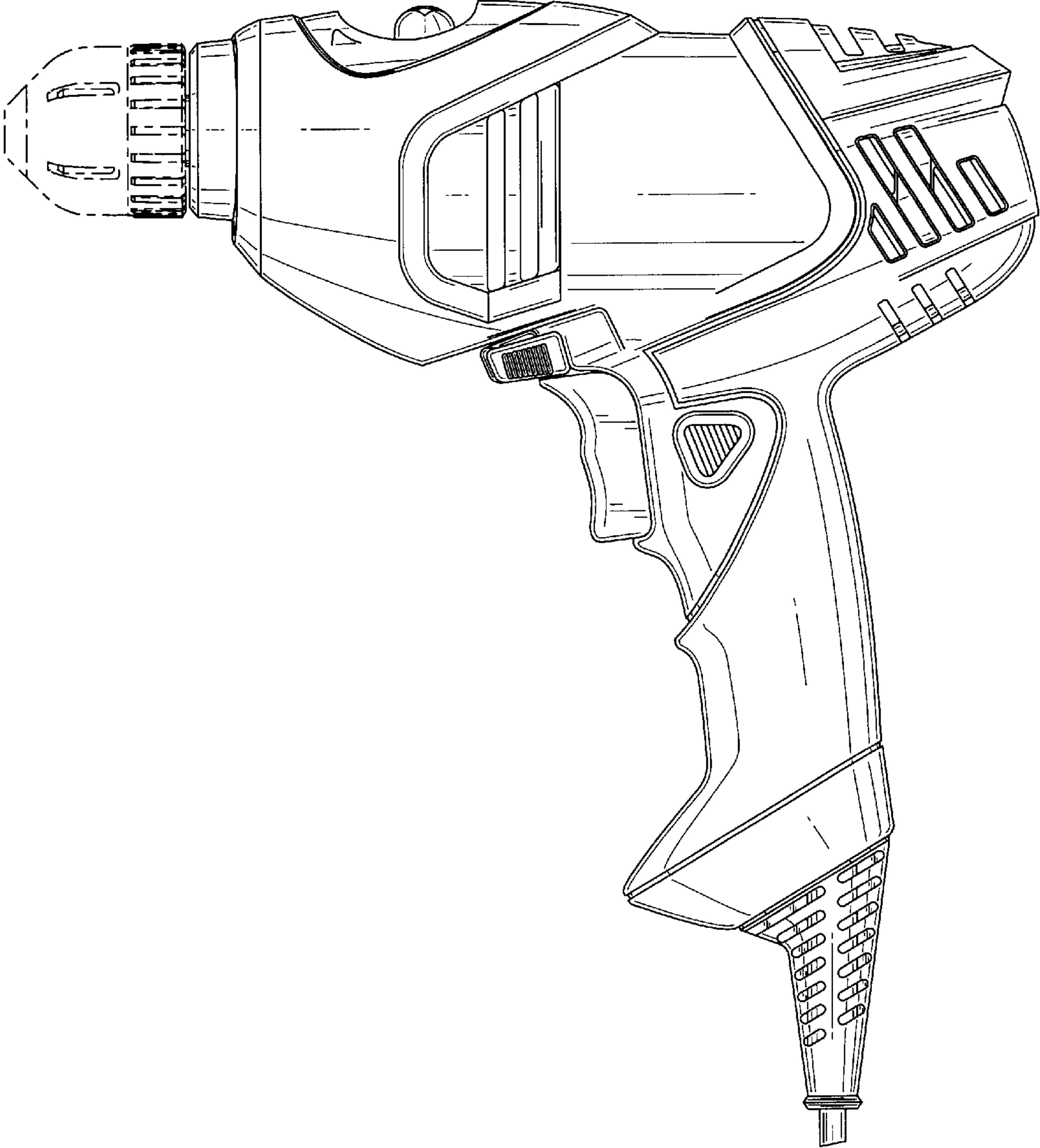


FIG. 19

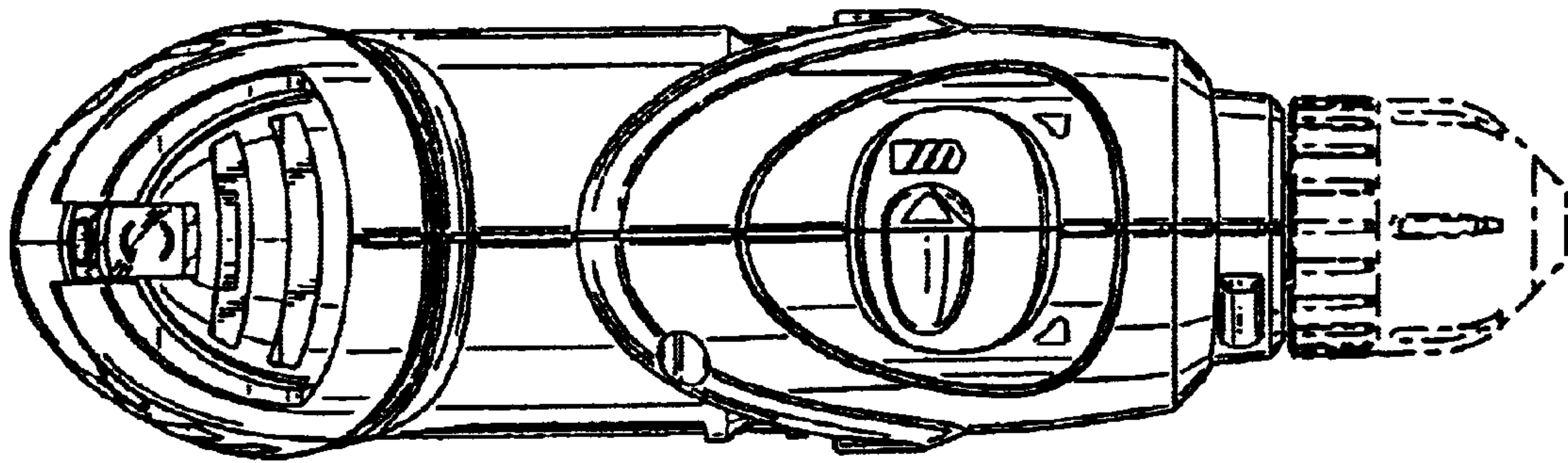


FIG. 20

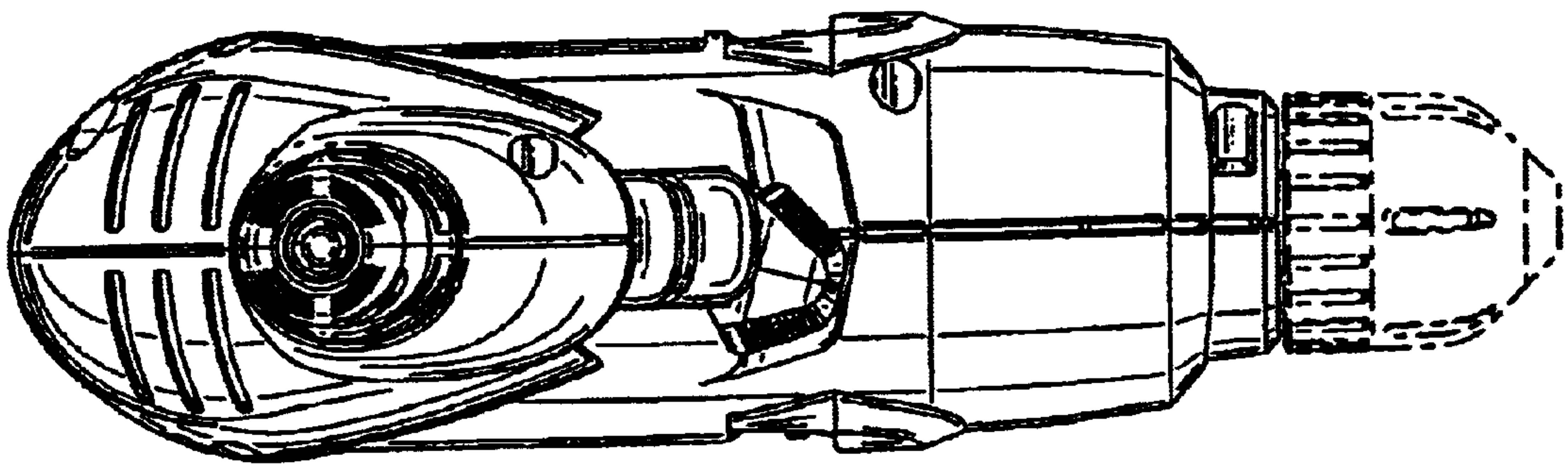


FIG. 21