



US00D535855S

(12) **United States Design Patent**
Adams

(10) **Patent No.:** **US D535,855 S**

(45) **Date of Patent:** **** Jan. 30, 2007**

(54) **COLLAPSIBLE VERTICAL ROASTING RACK**

(76) Inventor: **Charles Adams**, 2816 Fulton St., Berkeley, CA (US) 94705

(**) Term: **14 Years**

(21) Appl. No.: **29/232,825**

(22) Filed: **Jun. 23, 2005**

(51) **LOC (8) Cl.** **07-02**

(52) **U.S. Cl.** **D7/409**

(58) **Field of Classification Search** D7/323,
D7/354-361, 387, 409; 99/324, 402, 422,
99/427, 421 A, 421 HH, 421 H, 421 R, 449,
99/450; 211/85.4, 181; 220/573.1, 485, 491-494,
220/752, 759, 769, 912; 126/275 R; D6/462,
D6/475; D23/398

See application file for complete search history.

(56) **References Cited**

U.S. PATENT DOCUMENTS

2,593,077	A	*	4/1952	Vogt	248/165
2,634,674	A	*	4/1953	Irwin	99/419
2,934,210	A	*	4/1960	Jordan	211/41.11
3,392,665	A	*	7/1968	Harnest	99/426
3,585,922	A	*	6/1971	Peterson et al.	99/355
D261,941	S	*	11/1981	Lubin	D28/93

D270,608	S	*	9/1983	Spanek et al.	D7/409
D286,498	S	*	11/1986	Rosenkrantz	D7/409
4,709,626	A	*	12/1987	Hamlyn	99/426
D341,523	S	*	11/1993	Tiemann	D7/688
D363,000	S	*	10/1995	Buff, IV	D7/409
D364,994	S	*	12/1995	Tiemann	D7/409
6,119,588	A	*	9/2000	Tiemann	99/426
6,553,896	B1		4/2003	Heide		

* cited by examiner

Primary Examiner—Cathron C. Brooks

Assistant Examiner—Ricky Pham

(74) *Attorney, Agent, or Firm*—Donald L. Beeson; Beeson Skinner Beverly, LLP

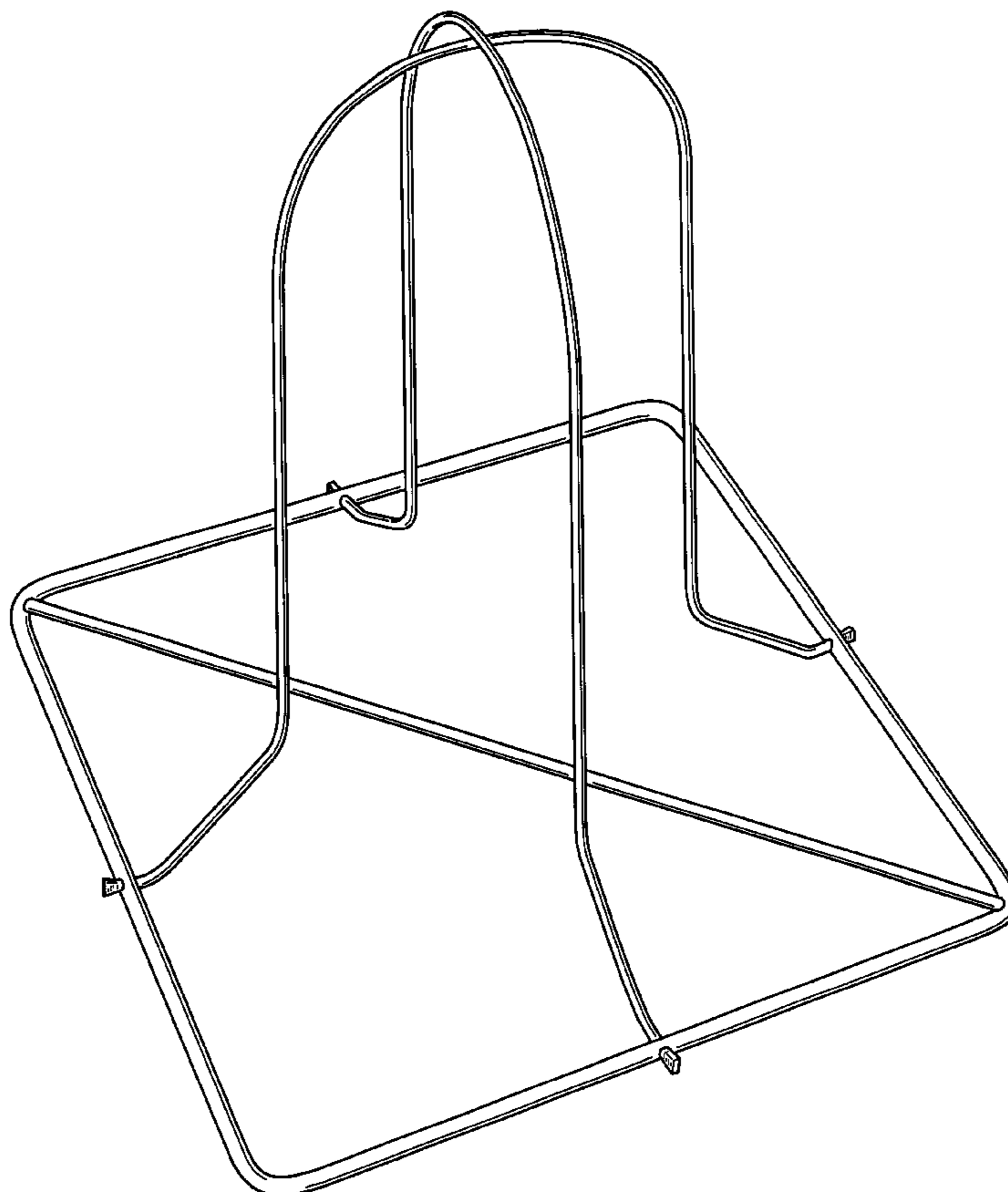
(57) **CLAIM**

The ornamental design for a collapsible vertical roasting rack, as shown and described.

DESCRIPTION

FIG. 1 is a top perspective view of a collapsible vertical roasting rack showing my new design; FIG. 2 is a right side elevational view thereof, the left side being a mirror image; FIG. 3 is a front elevational view thereof, the rear being a mirror image; FIG. 4 is a top plan view thereof; and, FIG. 5 is a bottom plan view thereof.

1 Claim, 5 Drawing Sheets



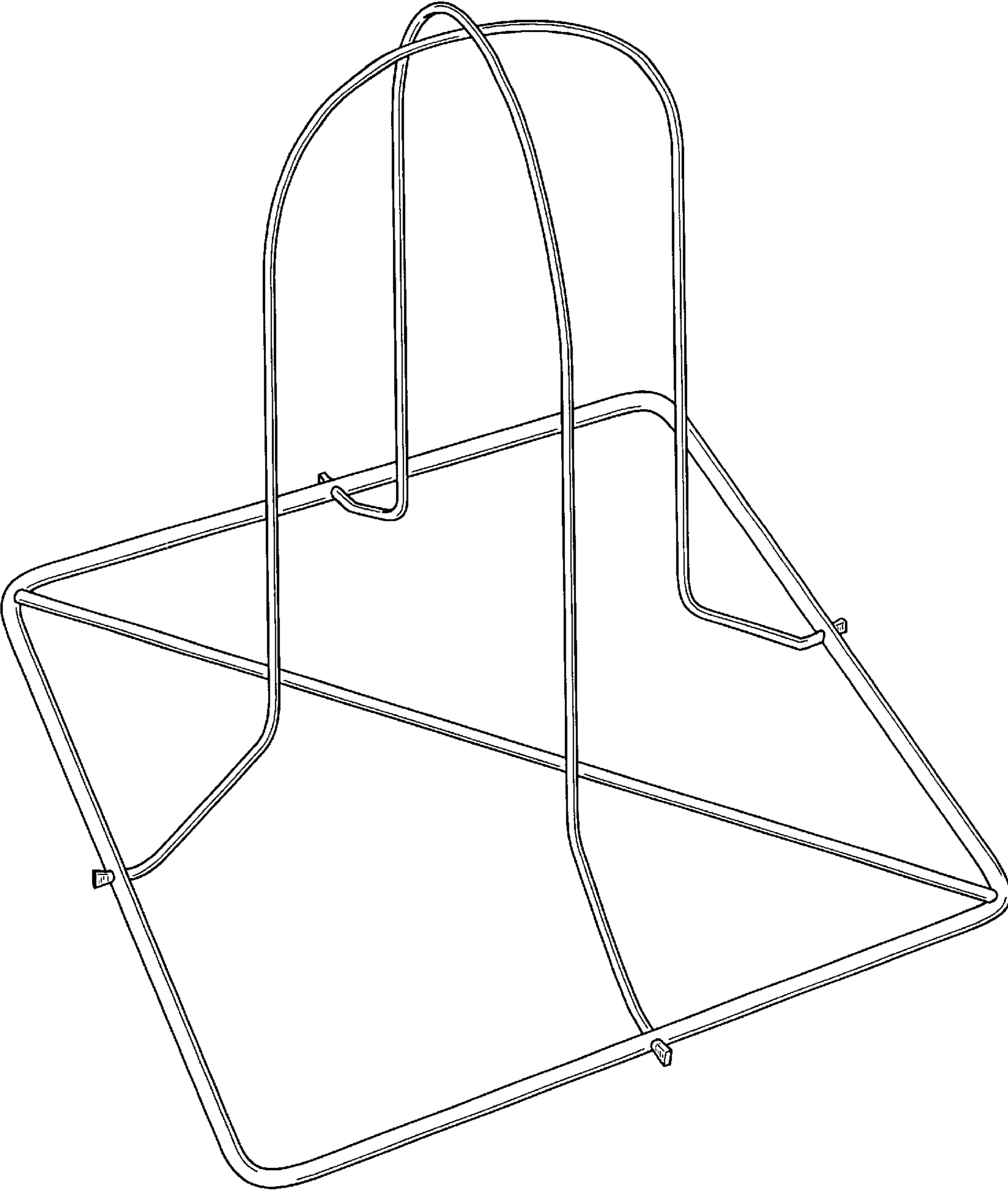


FIG._1

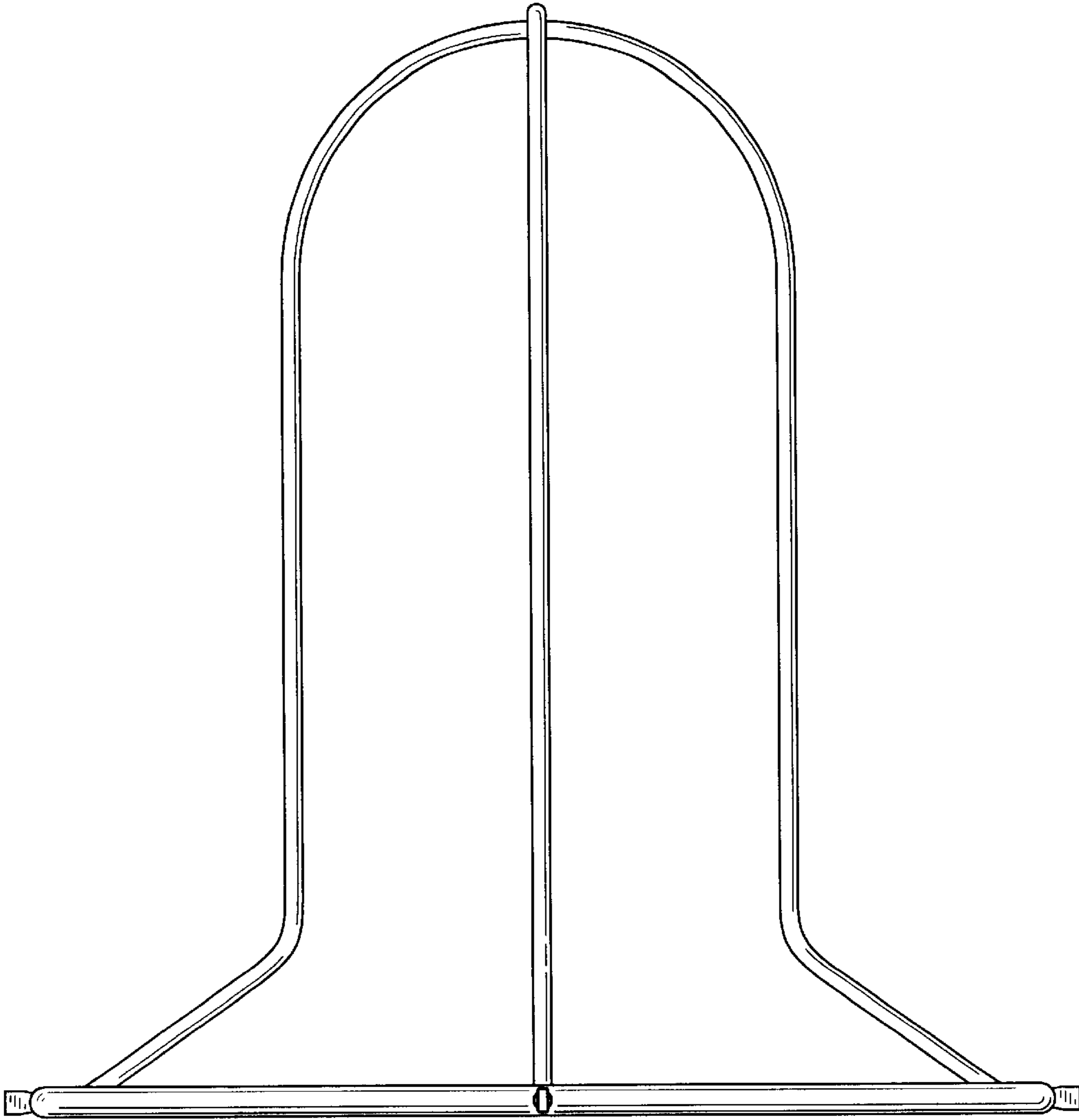


FIG. 2

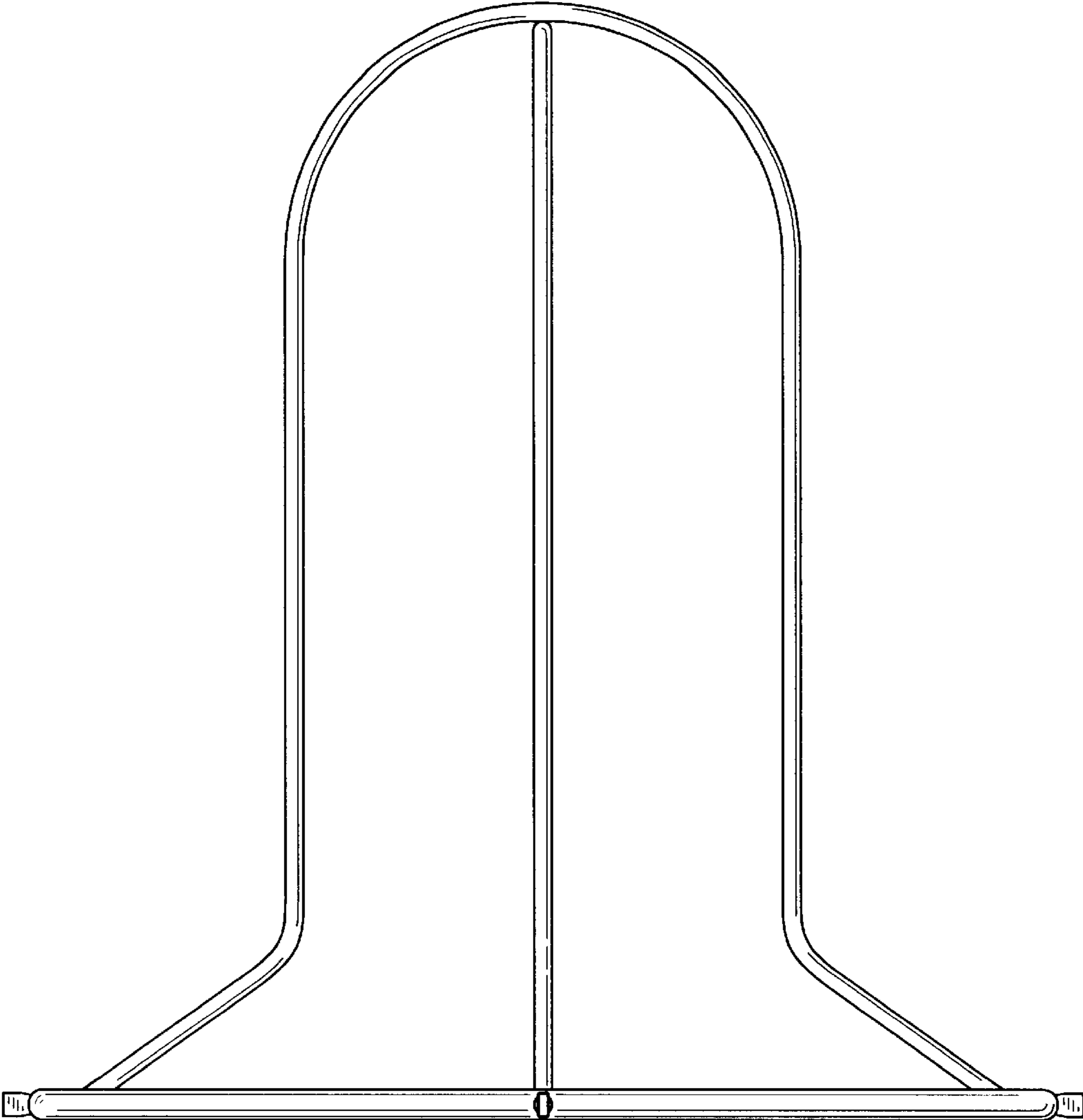


FIG._3

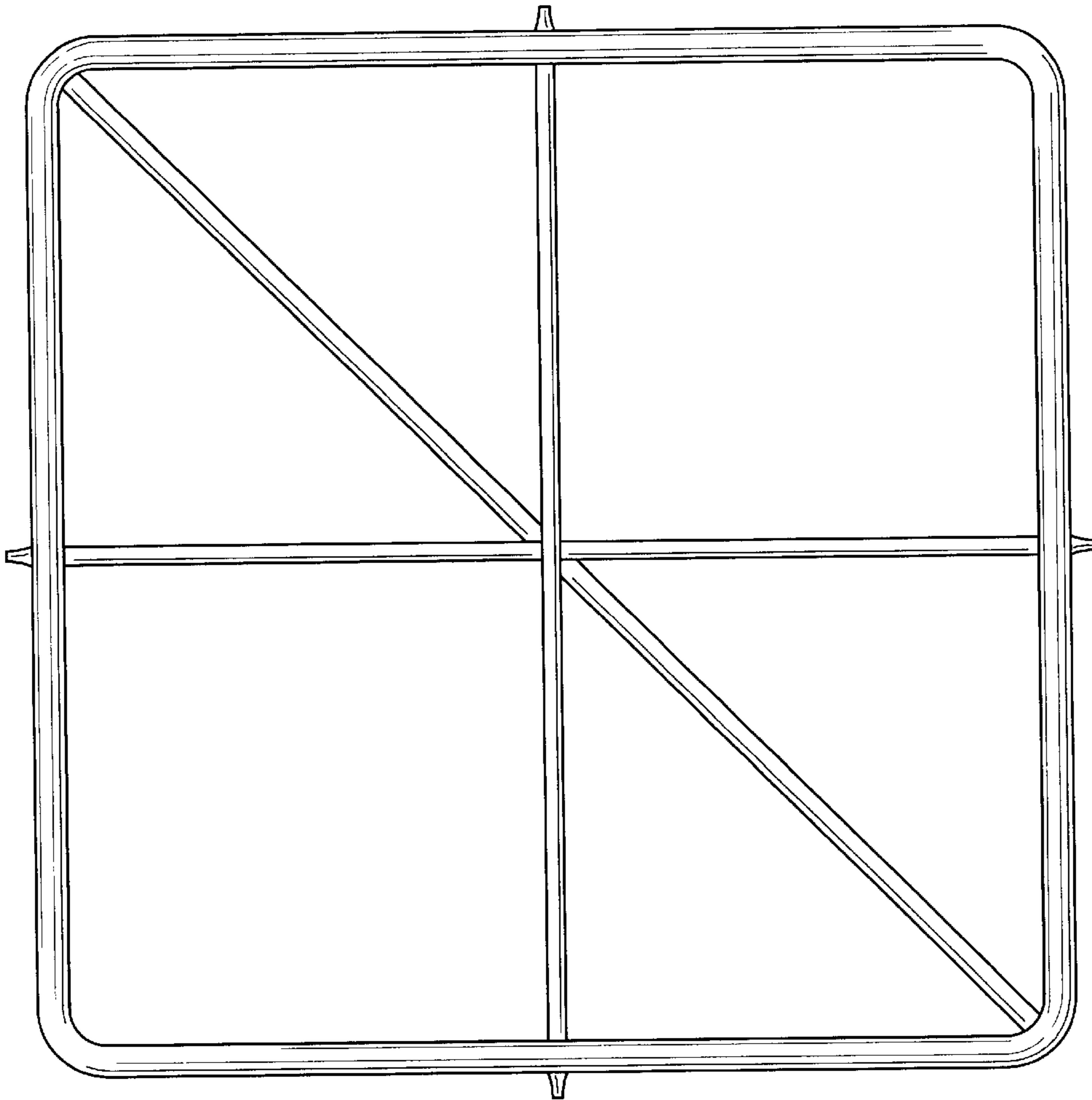


FIG._4

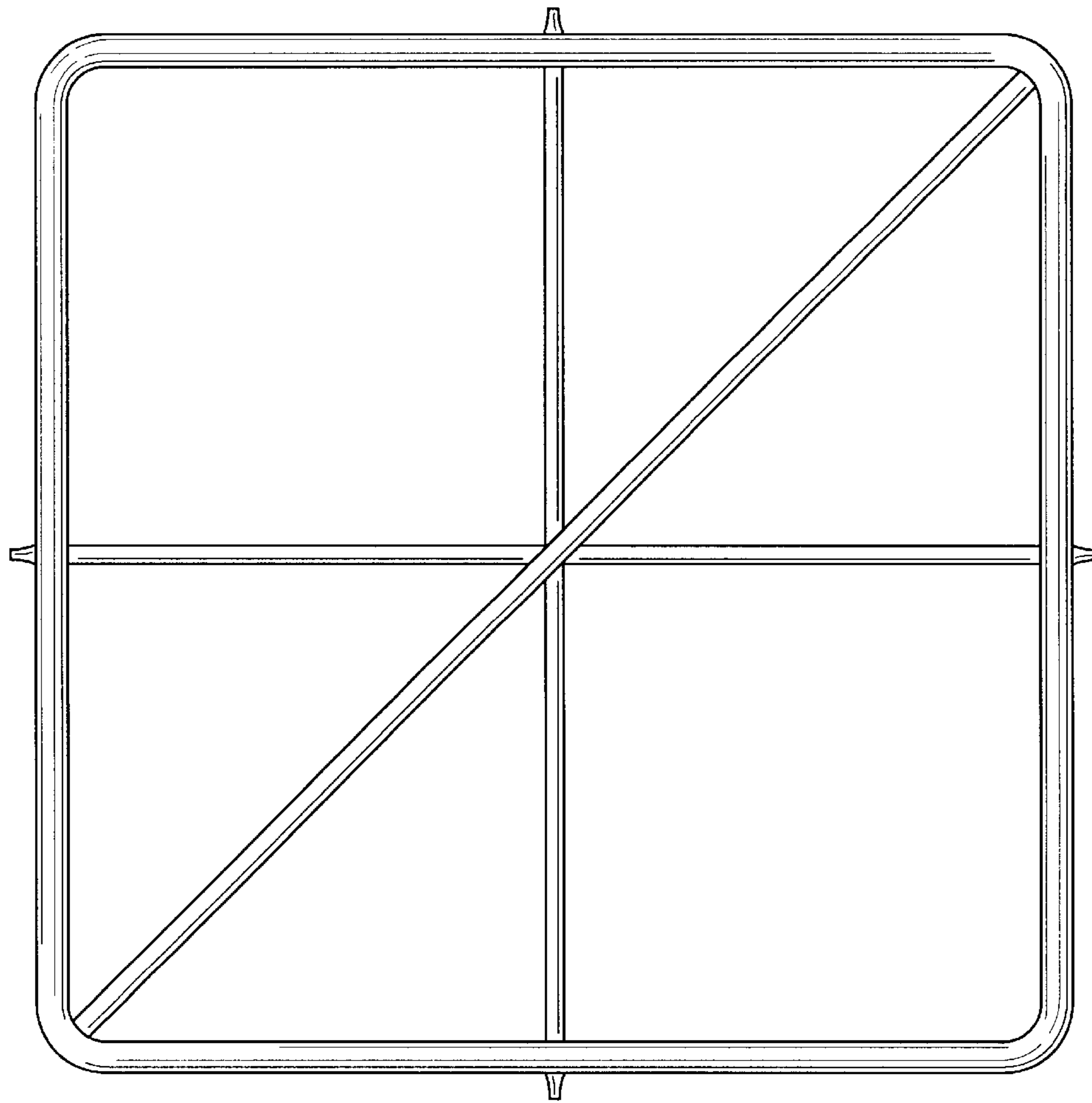


FIG. 5