



US00D535853S

(12) **United States Design Patent**
Zemel

(10) **Patent No.:** **US D535,853 S**

(45) **Date of Patent:** **** Jan. 30, 2007**

(54) **BARBECUE IMPLEMENT WITH LAMINATED GRIP**

D496,558 S * 9/2004 Zemel D7/395
D505,842 S * 6/2005 Harris et al. D7/683
D513,926 S * 1/2006 Zemel D7/395

(75) Inventor: **Marc Zemel**, Melville, NY (US)

* cited by examiner

(73) Assignee: **Mr. Bar-B-Q-, Inc.**, Old Bethpage, NY (US)

Primary Examiner—Holly H. Baynham

Assistant Examiner—Cynthia M. Chin

(**) Term: **14 Years**

(74) *Attorney, Agent, or Firm*—Seth Natter; Natter & Natter

(21) Appl. No.: **29/247,201**

(57) **CLAIM**

(22) Filed: **Jun. 6, 2006**

The ornamental design for a barbecue implement with laminated grip, as shown and described.

Related U.S. Application Data

DESCRIPTION

(62) Division of application No. 29/238,103, filed on Sep. 12, 2005.

FIG. 1 is a reduced perspective view of a barbecue implement with laminated grip showing my new design;

(51) **LOC (8) Cl.** **07-02**

FIG. 2 is a side elevational view illustrating one leg of the barbecue implement with laminated grip shown in FIG. 1;

(52) **U.S. Cl.** **D7/393**

FIG. 3 is a front view illustrating one leg of the barbecue implement with laminated grip shown in FIG. 1; and,

(58) **Field of Classification Search** D7/393–395, D7/683, 685–687, 688, 692–693, 696, 381, D7/401.2, 642–647, 653, 664; D8/107, 307; D4/138, 129; 16/110.1, 430, 431, 436; 30/340, 30/322–324, 147–150; 99/419, 421
See application file for complete search history.

FIG. 4 is a bottom view illustrating one leg of the barbecue implement with laminated grip shown in FIG. 1.

(56) **References Cited**

The side not shown is a mirror image of the side shown, the rear elevation is identical to the front elevation shown. The top is a mirror image of the bottom shown, the broken line showings form no part of the claimed design and the leg not illustrated in FIGS. 2, 3 and 4 is a mirror image of the leg as illustrated.

U.S. PATENT DOCUMENTS

FIGS. 2–4 are shown separately for ease and clarity of illustration.

D182,346 S * 3/1958 Wachter D7/667
D254,767 S * 4/1980 Christen, Jr. D7/686
D412,814 S * 8/1999 Fielding et al. D7/692
D447,385 S * 9/2001 Saunders et al. D7/395
D453,463 S * 2/2002 Chang D8/107

1 Claim, 1 Drawing Sheet

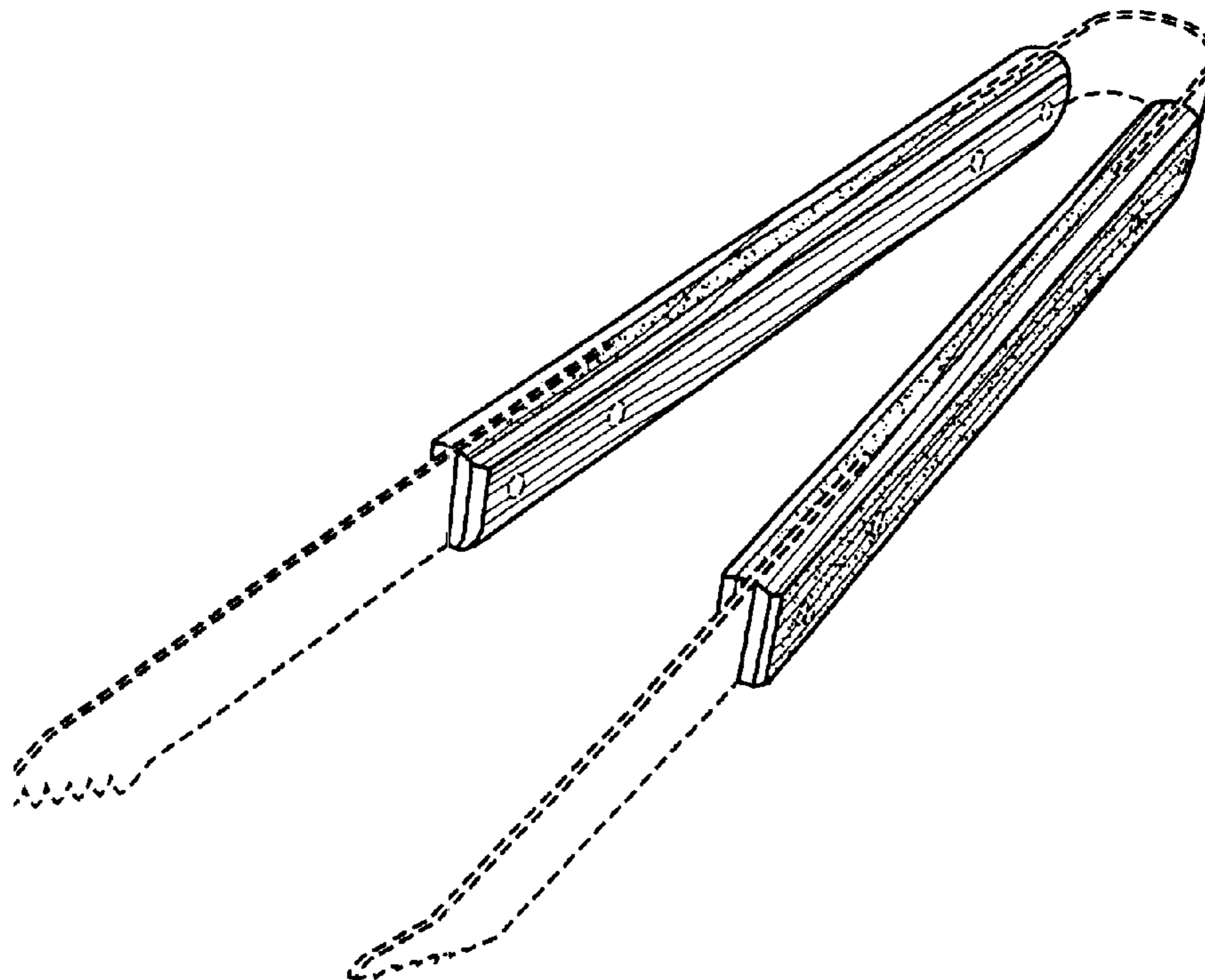


Fig. 1

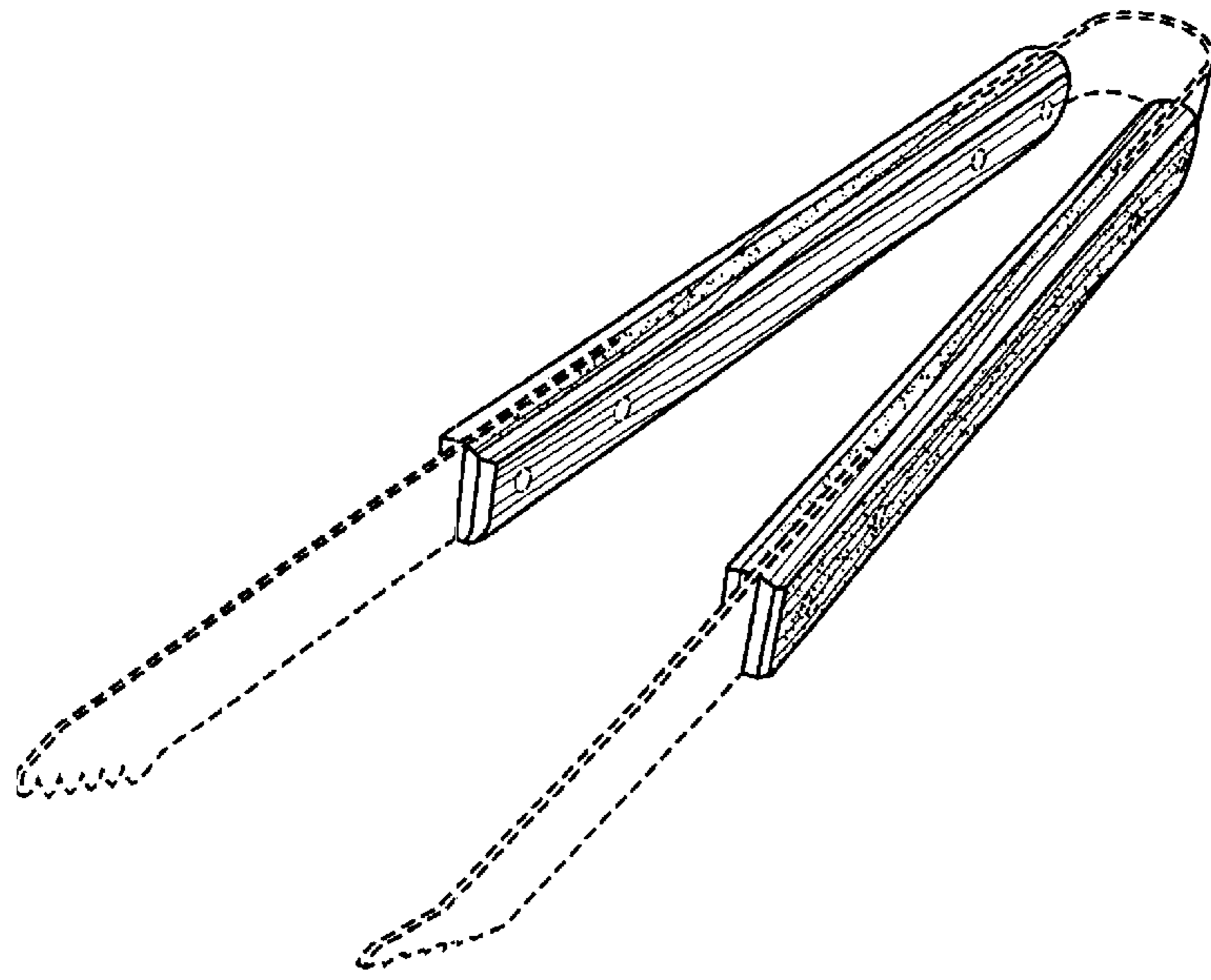


Fig. 2



Fig. 3



Fig. 4

