



US00D535851S

(12) **United States Design Patent**
Vavasseur

(10) **Patent No.:** **US D535,851 S**

(45) **Date of Patent:** **** Jan. 30, 2007**

(54) **MILK SHAKE MIXER**

(75) Inventor: **Paul Le Vavasseur**, New South Wales (AU)

(73) Assignee: **Roband Australia Pty Ltd.**, New South Wales (AU)

(**) Term: **14 Years**

(21) Appl. No.: **29/238,223**

(22) Filed: **Sep. 13, 2005**

(30) **Foreign Application Priority Data**

Mar. 15, 2005 (AU) 11024/2005

(51) **LOC (8) Cl.** **31-00**

(52) **U.S. Cl.** **D7/379**

(58) **Field of Classification Search** D7/306,
D7/309, 311, 376-386, 412, 413, 415, 509,
D7/523, 529, 530, 665, 166-169, 300.1, 673,
D7/678, 693; 99/348, 492, 509-511; 241/30,
241/33, 36, 37.5, 168, 101.01, 101.1, 199,
241/101.2, 279, 282.2, 199.12, 282.1, 291,
241/292.1, 301, 169.1-169.2, 274-278.2,
241/285.1-285.3; 366/64-67, 93, 98, 100,
366/129, 130, 146, 192, 197-214, 241-254,
366/279, 282, 314, 318, 194, 325.3, 325.92,
366/325.93, 327.2, 328.2, 329.1, 330.1, 330.2,
366/330.3-330.5, 219-221, 341-349; D8/1,
D8/16, 20, 9; D9/447; 219/209

See application file for complete search history.

(56) **References Cited**

U.S. PATENT DOCUMENTS

D118,225 S * 12/1939 Barnes et al. D7/379

2,400,773 A * 5/1946 Nelson et al. 165/94
D156,342 S * 12/1949 Iannelli D7/379
D158,947 S * 6/1950 Ernst D7/379
D163,376 S * 5/1951 Ernst D7/379
2,564,887 A * 8/1951 Arthur 366/206
D169,829 S * 6/1953 Seyfried et al. D7/379
D175,338 S * 8/1955 Ernst D7/379
D211,484 S * 6/1968 Le Sueur D7/379
D261,892 S * 11/1981 Huser D7/379
4,339,639 A * 7/1982 Valbona et al. 200/52 R
D509,990 S * 9/2005 Steiner et al. D7/379
D511,270 S * 11/2005 Steiner et al. D7/379

* cited by examiner

Primary Examiner—Cathron C. Brooks

Assistant Examiner—Ricky Pham

(74) *Attorney, Agent, or Firm*—Wood, Herron & Evans, LLP

(57) **CLAIM**

The ornamental design for the milk shake mixer, as shown and described.

DESCRIPTION

FIG. 1 is a perspective view of the front, top, and left side of my new milk shake mixer design;

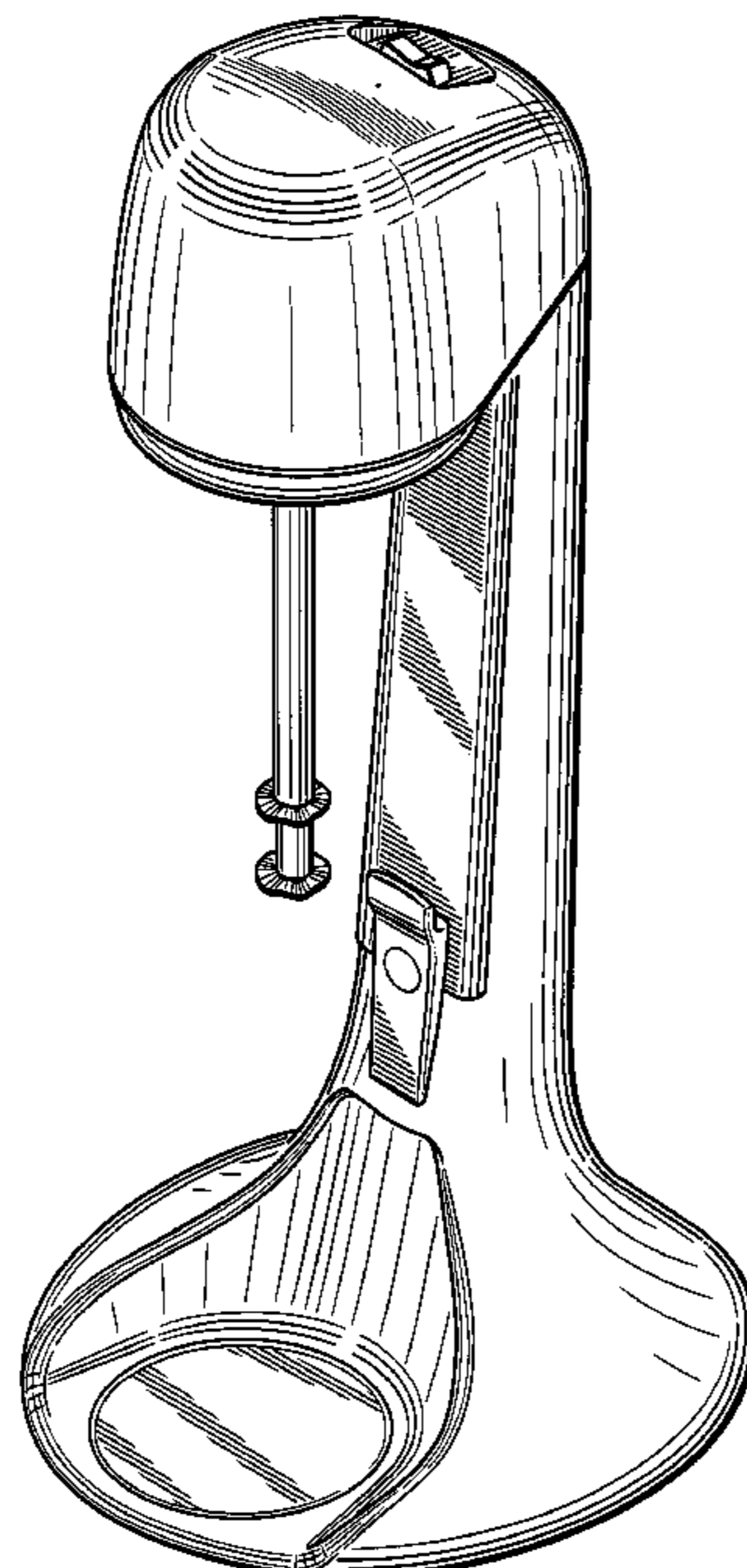
FIG. 2 is a front elevational view thereof;

FIG. 3 is a right side elevational view thereof, the left side being a mirror image of the right side;

FIG. 4 is a rear elevational view thereof; and

FIG. 5 is a top plan view thereof.

1 Claim, 3 Drawing Sheets



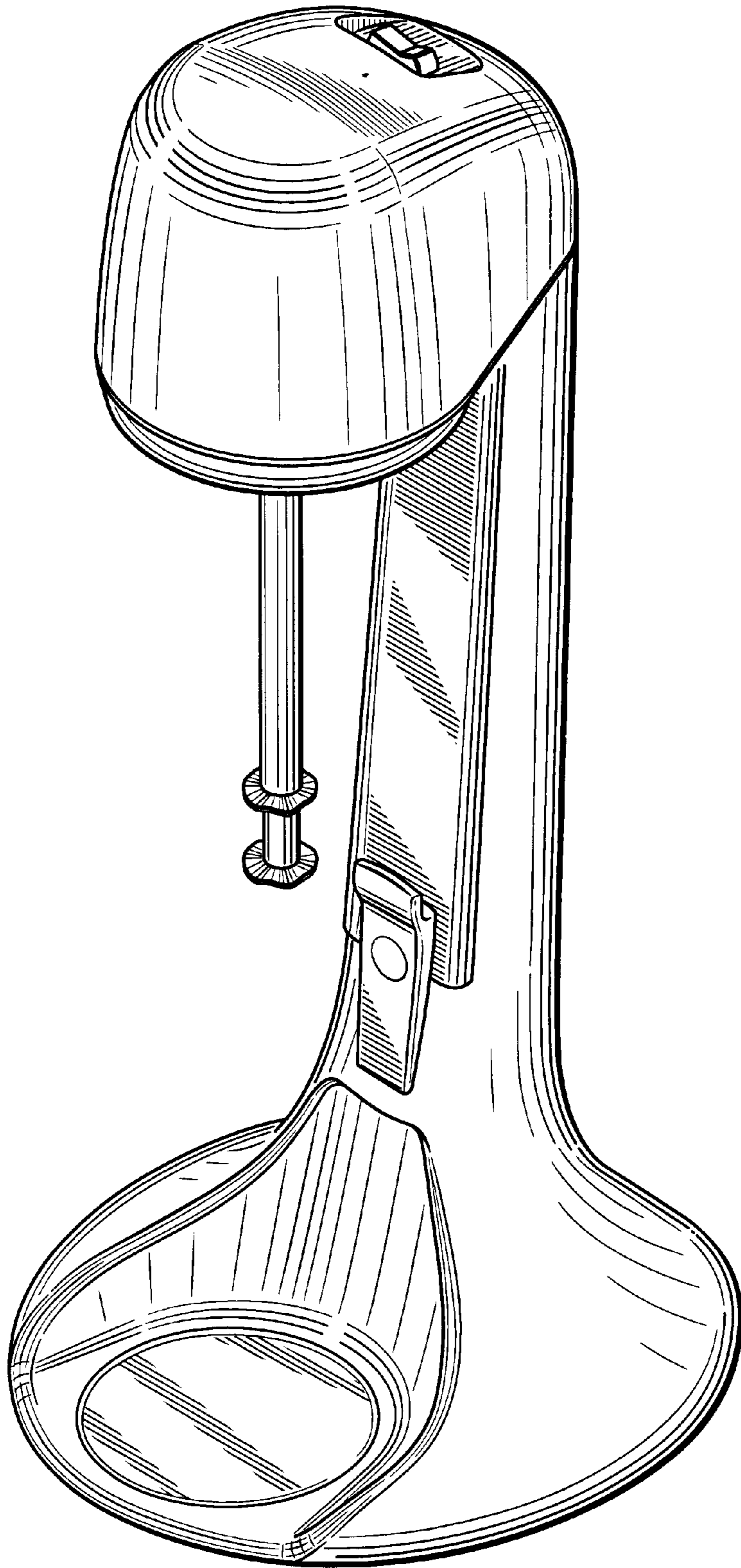


FIG. 1

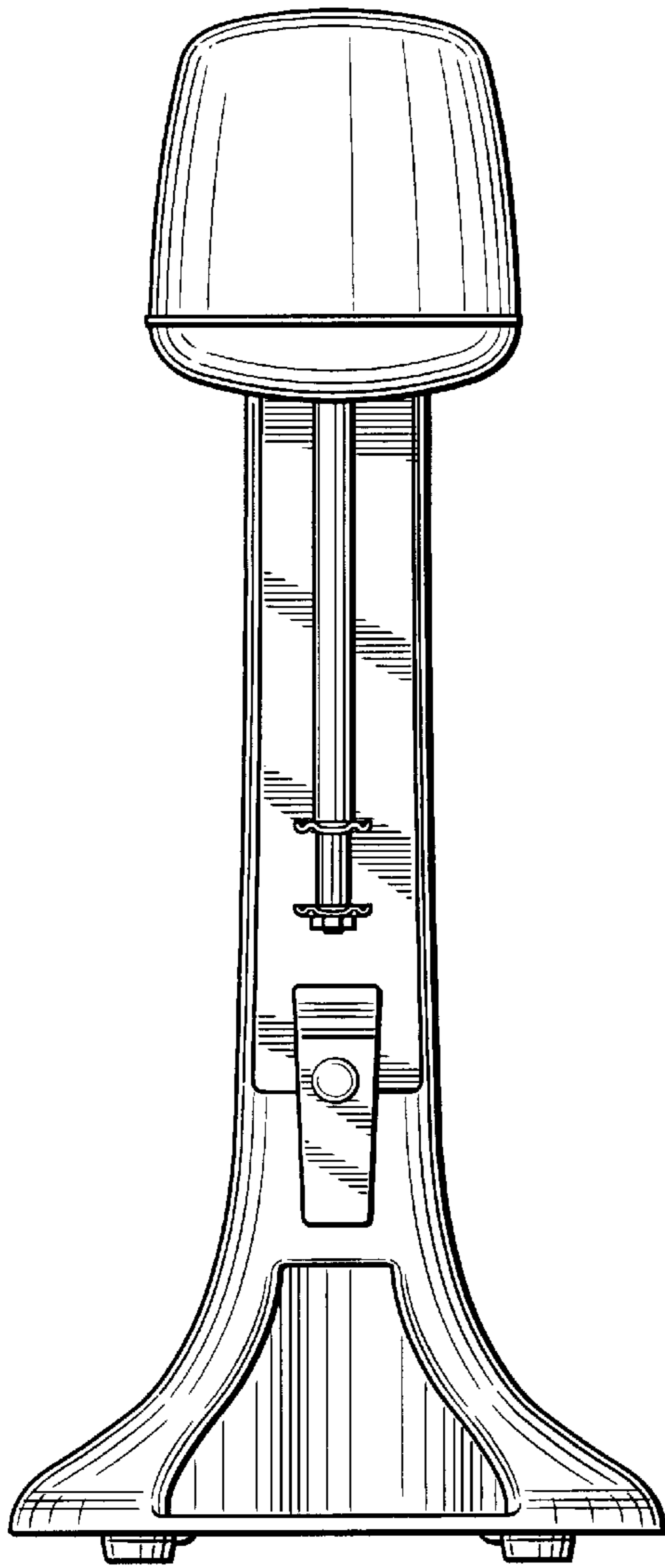


FIG. 2

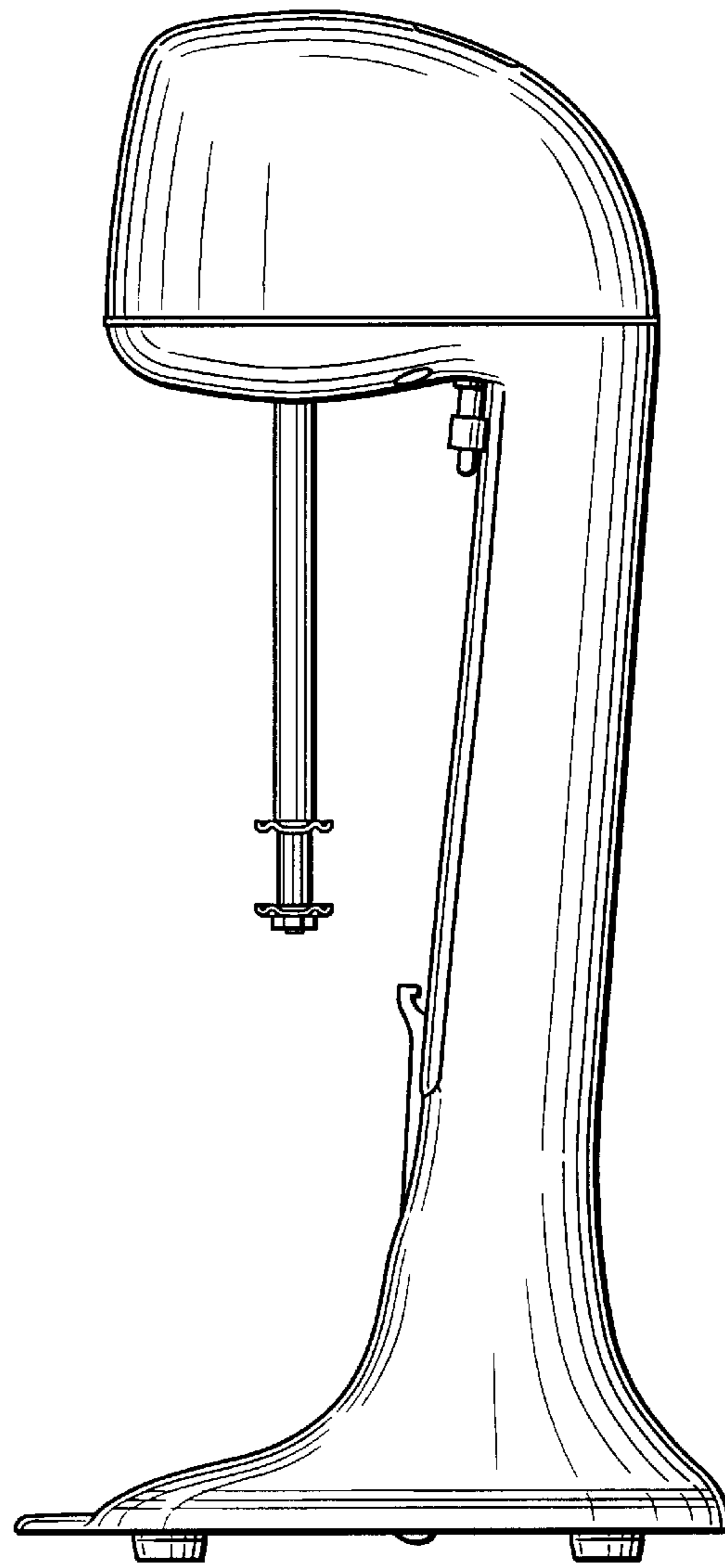


FIG. 3

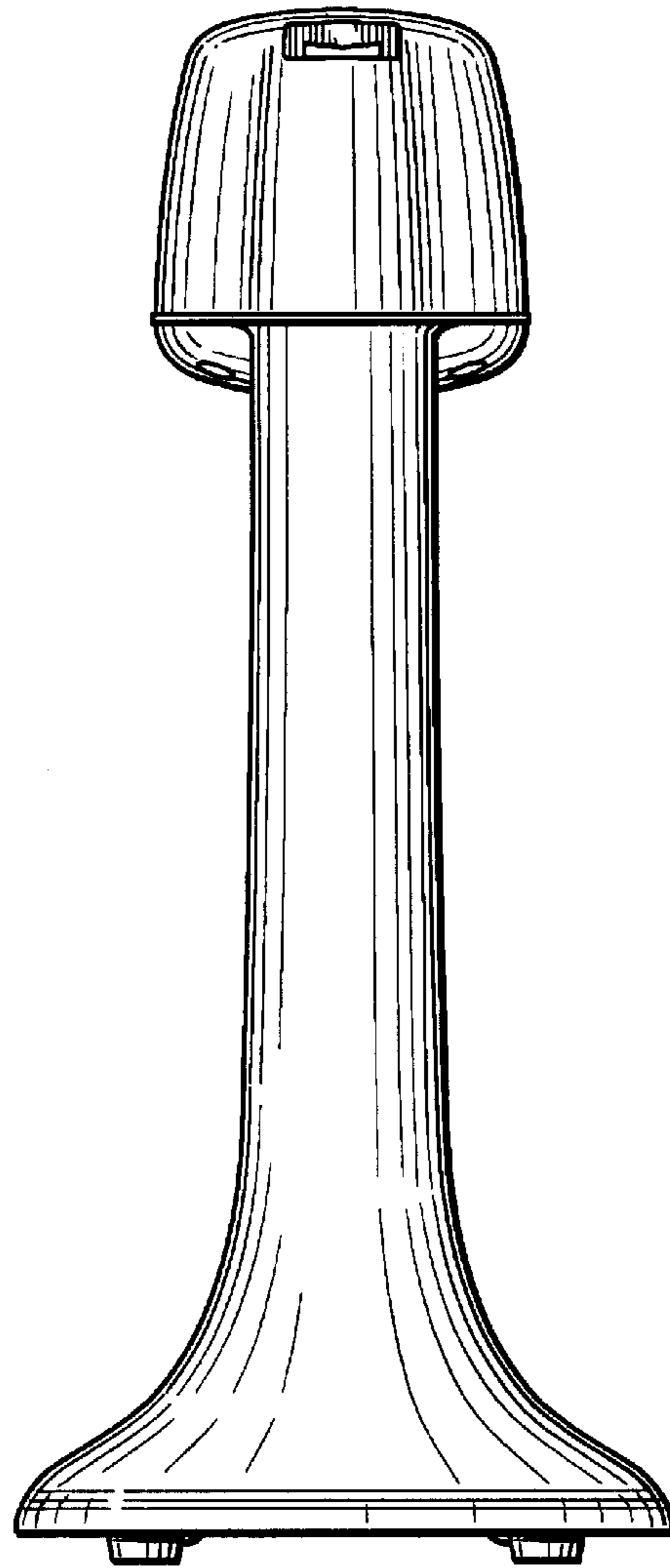


FIG. 4

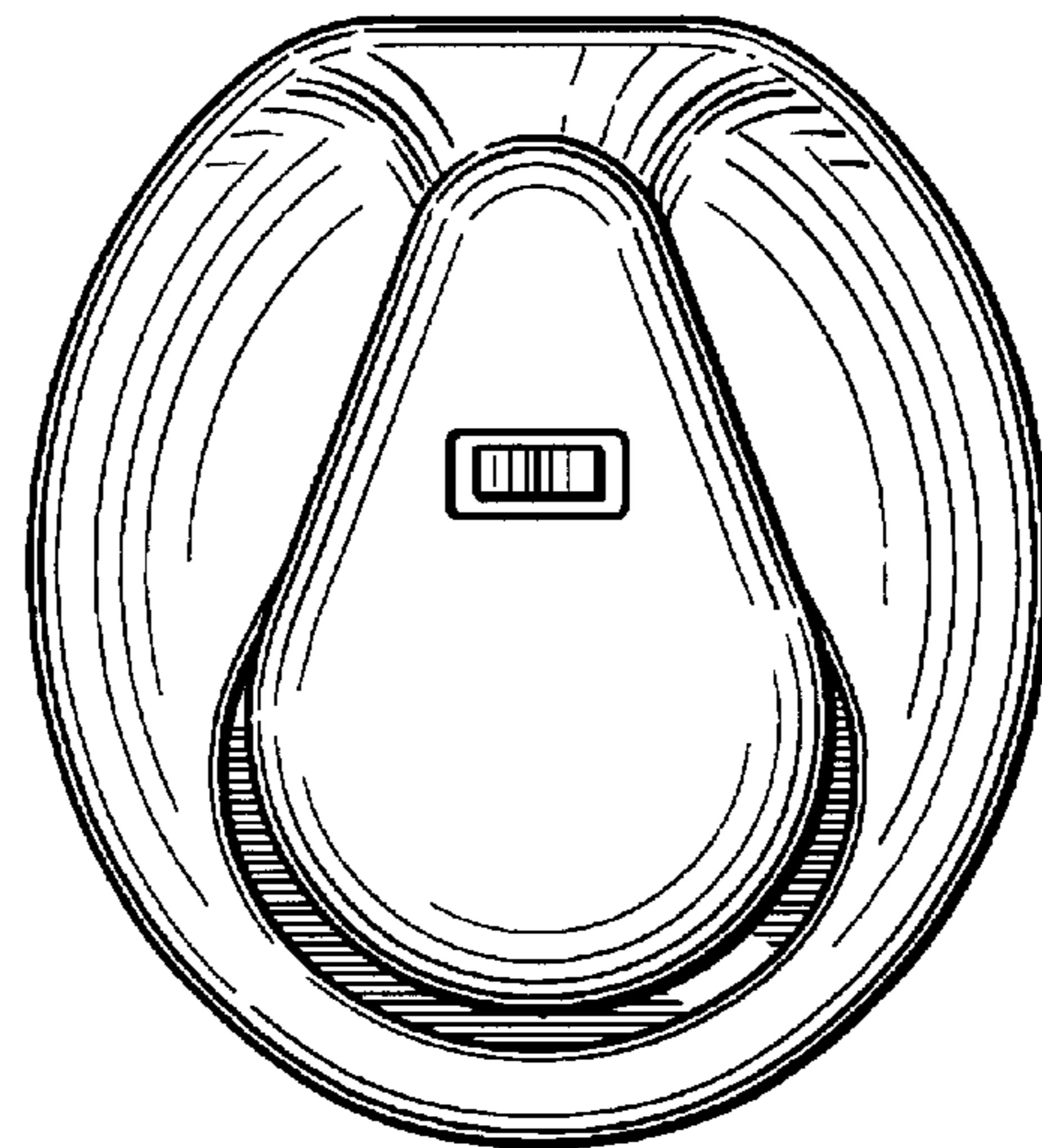


FIG. 5