



US00D535850S

(12) **United States Design Patent**
Patterson et al.

(10) **Patent No.: US D535,850 S**
(45) **Date of Patent: ** Jan. 30, 2007**

(54) **FOOD WASTE DISPOSER TRIM SHELL**

(75) Inventors: **James Robert Patterson**, Oak Creek, WI (US); **Thomas M. Garza, Sr.**, Milwaukee, WI (US); **Scott W Anderson**, Racine, WI (US); **David MacNair**, Libertyville, WI (US); **Joshua P Malik**, Racine, WI (US); **Eric Joseph Schultz**, Thiensville, WI (US); **James Douglas Wilson**, Norwood, MA (US); **Kevin Robert Young**, South Boston, MA (US); **Jo Frances Wollschlaeger**, Portland, OR (US)

(73) Assignee: **Emerson Electric Co.**, St. Louis, MO (US)

(**) Term: **14 Years**

(21) Appl. No.: **29/245,750**

(22) Filed: **Dec. 27, 2005**

(51) **LOC (8) Cl.** **31-00**

(52) **U.S. Cl.** **D7/375**

(58) **Field of Classification Search** D7/375,
D7/372-374, 378-379, 384, 678; 241/36,
241/37.5, 92, 169.1, 199.12, 282.1; 210/532.1,
210/539-540; 4/629, DIG. 4
See application file for complete search history.

(56) **References Cited**

U.S. PATENT DOCUMENTS

D194,128 S	*	11/1962	Hawkins	D7/375
3,801,998 A	*	4/1974	Macias	4/629
4,761,235 A	*	8/1988	Haentjens	210/532.1
D426,421 S		6/2000	Hirsch et al.	D7/375
D430,987 S		9/2000	Brandel et al.	D7/375
D431,153 S		9/2000	Brandel et al.	D7/375
D431,752 S		10/2000	Brandel et al.	D7/375

D444,668 S	*	7/2001	Leung	D7/372
D451,755 S		12/2001	Brandel et al.	D7/375
D452,110 S		12/2001	Brandel et al.	D7/375
D455,603 S		4/2002	Brandel et al.	D7/375
D455,604 S	*	4/2002	Brandel et al.	D7/375

OTHER PUBLICATIONS

U.S. Appl. No. 29/245,756, filed Dec. 27, 2005, Patterson et al.
U.S. Appl. No. 29/245,751, filed Dec. 27, 2005, Patterson et al.
U.S. Appl. No. 29/245,755, filed Dec. 27, 2005, Patterson et al.
U.S. Appl. No. 29/245,759, filed Dec. 27, 2005, Patterson et al.

* cited by examiner

Primary Examiner—Catherine R. Oliver

(74) *Attorney, Agent, or Firm*—Locke Liddell & Sapp LLP

(57) **CLAIM**

The ornamental design for a food waste disposer trim shell, as shown and described.

DESCRIPTION

FIG. 1 is a perspective view of the food waste disposer trim shell.

FIG. 2 is a front view.

FIG. 3 is a rear view.

FIG. 4 is a side view.

FIG. 5 is a side view showing the side opposite that shown in FIG. 4.

FIG. 6 is a top view; and,

FIG. 7 is a bottom view.

The broken line showing of environment in the drawings is included for the purpose of illustrating the article in use and forms no part of the claimed design.

1 Claim, 2 Drawing Sheets

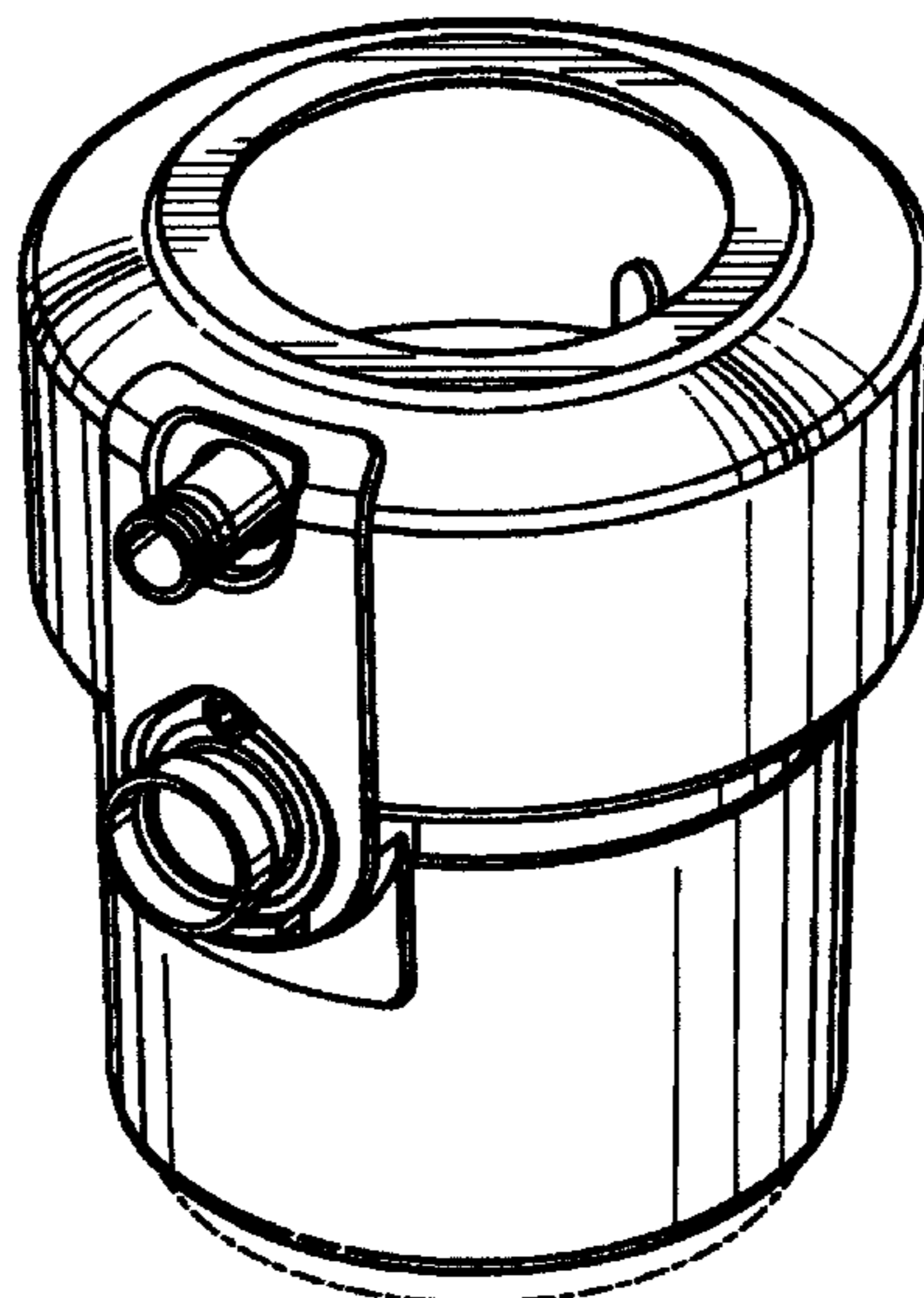


FIG. 1

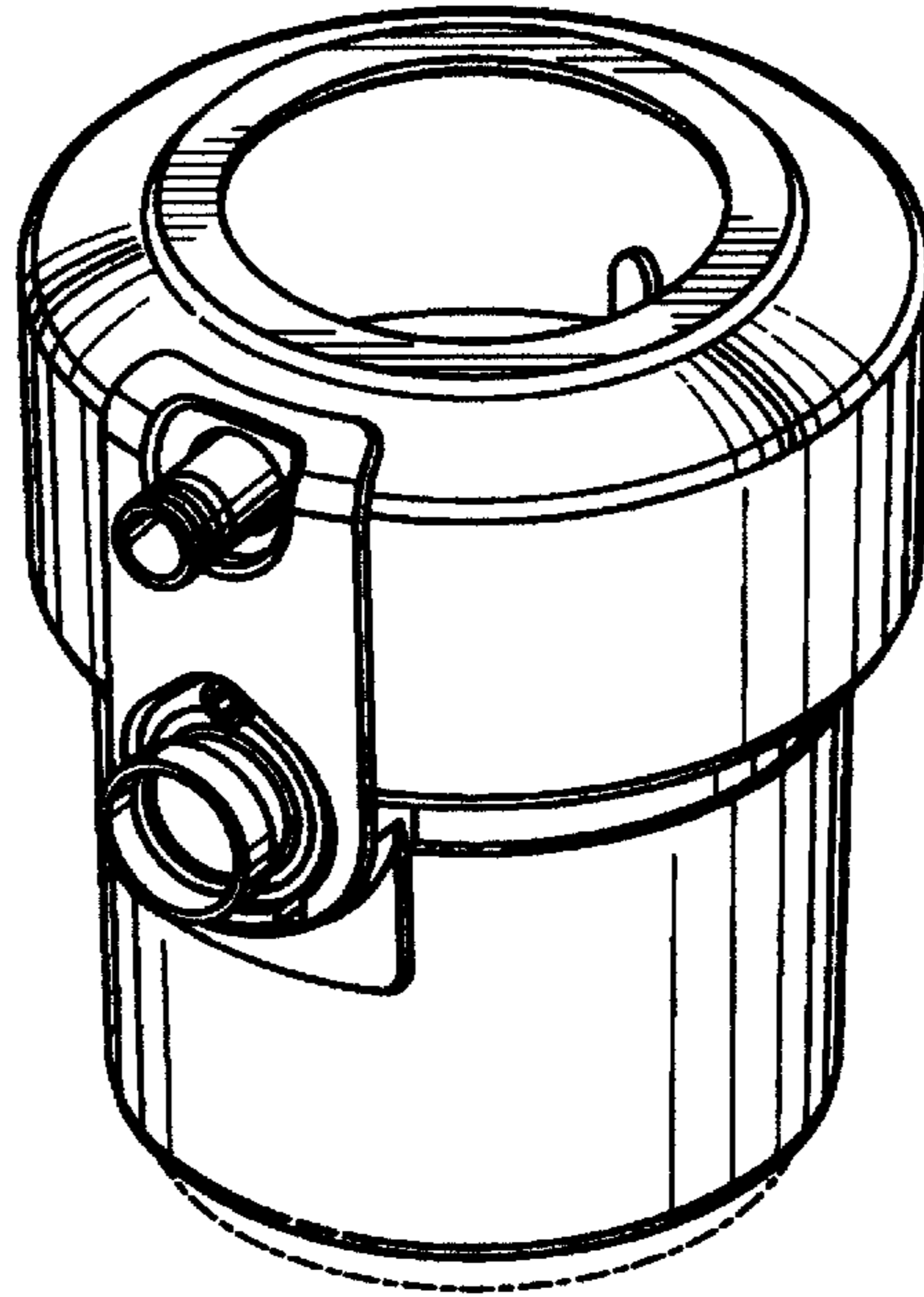


FIG. 2

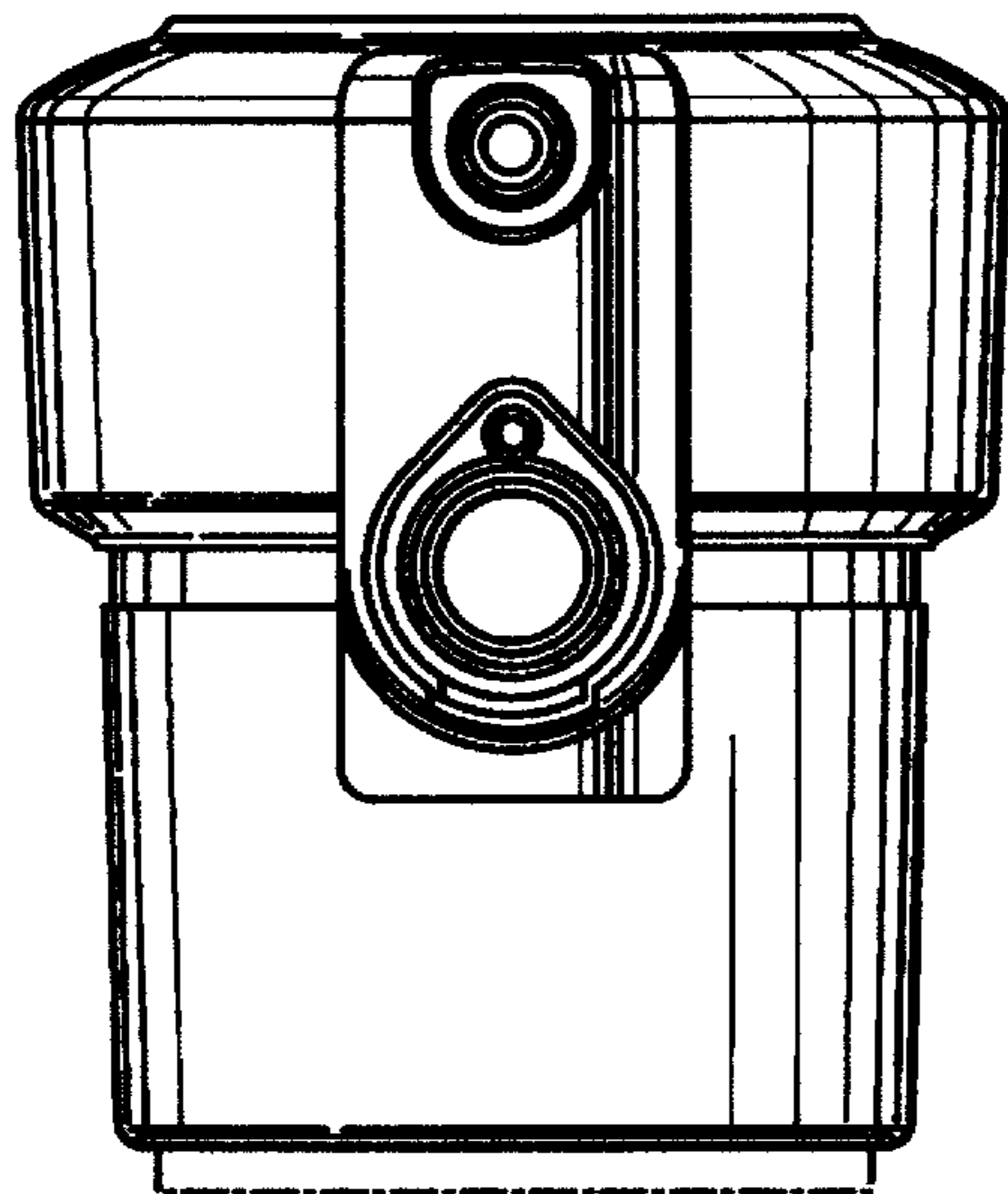


FIG. 3

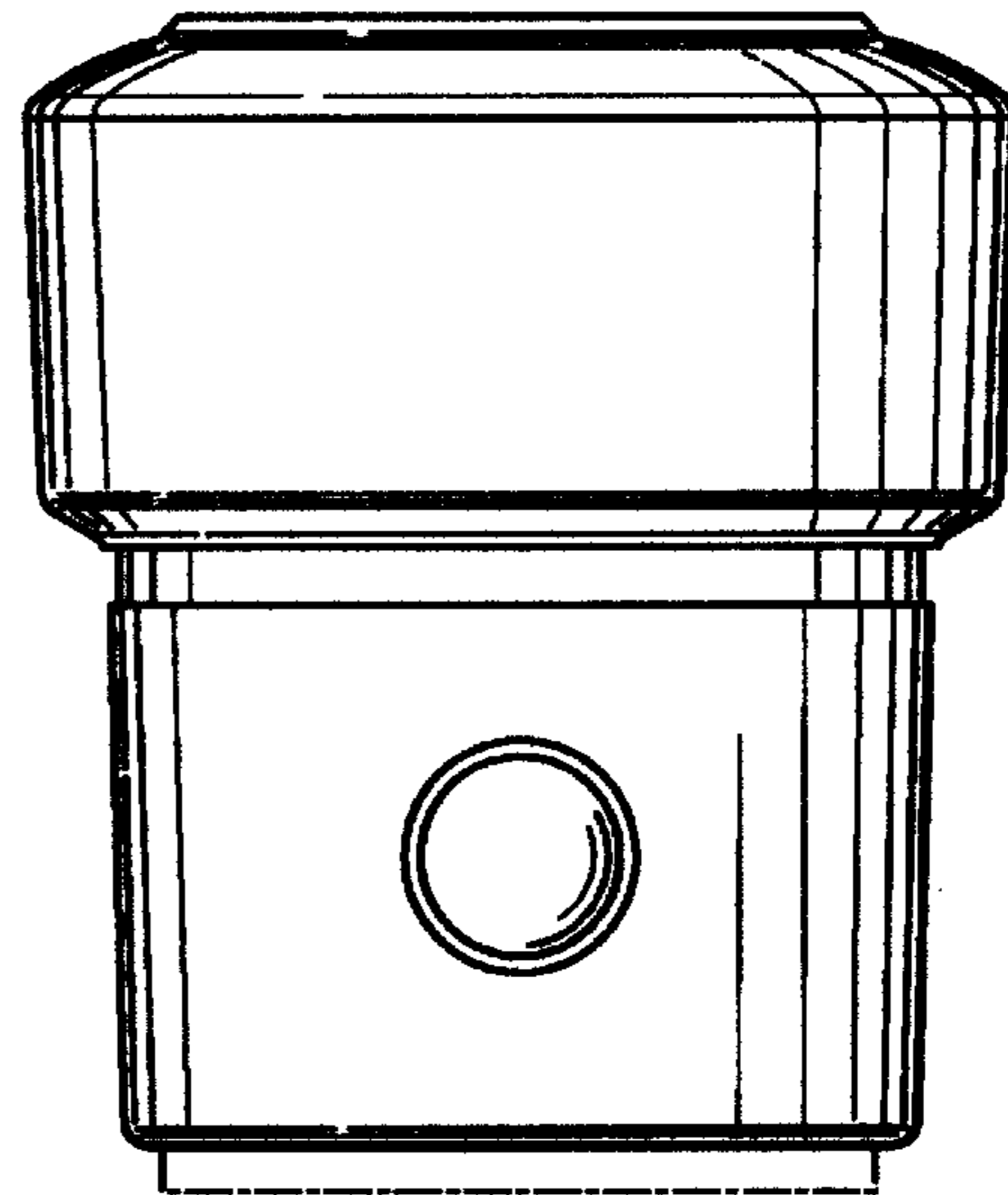


FIG. 4

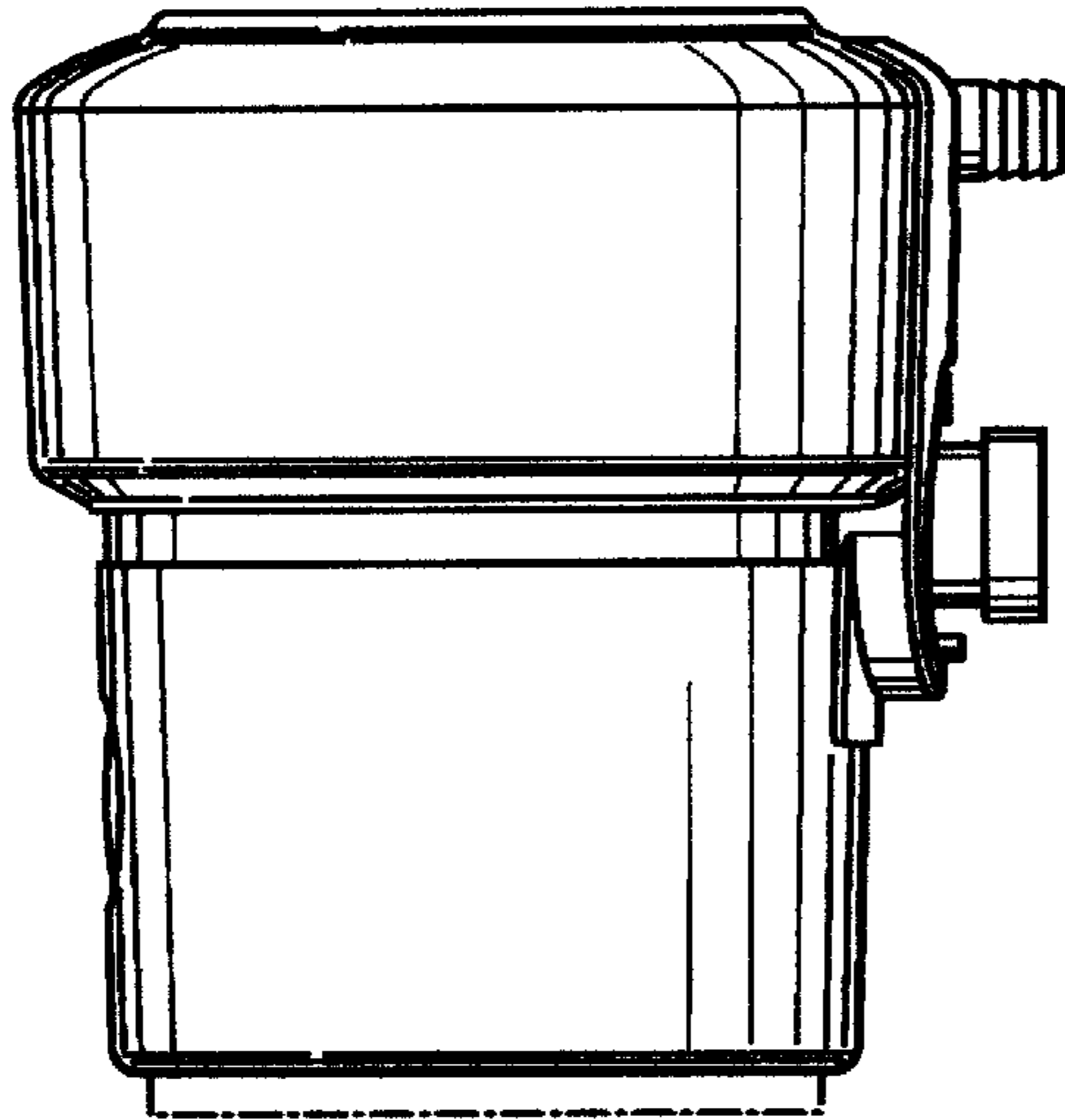


FIG. 5

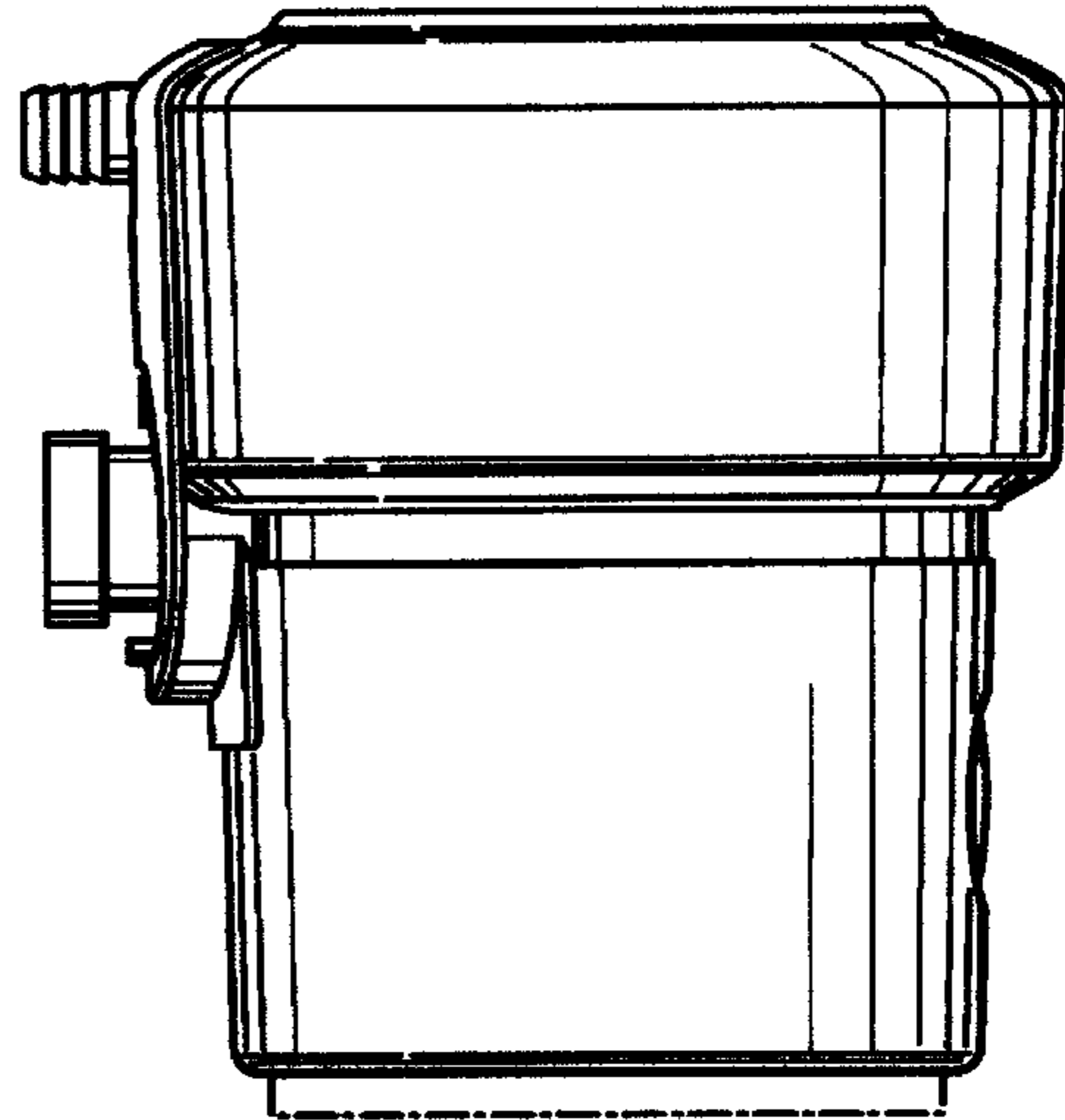


FIG. 6

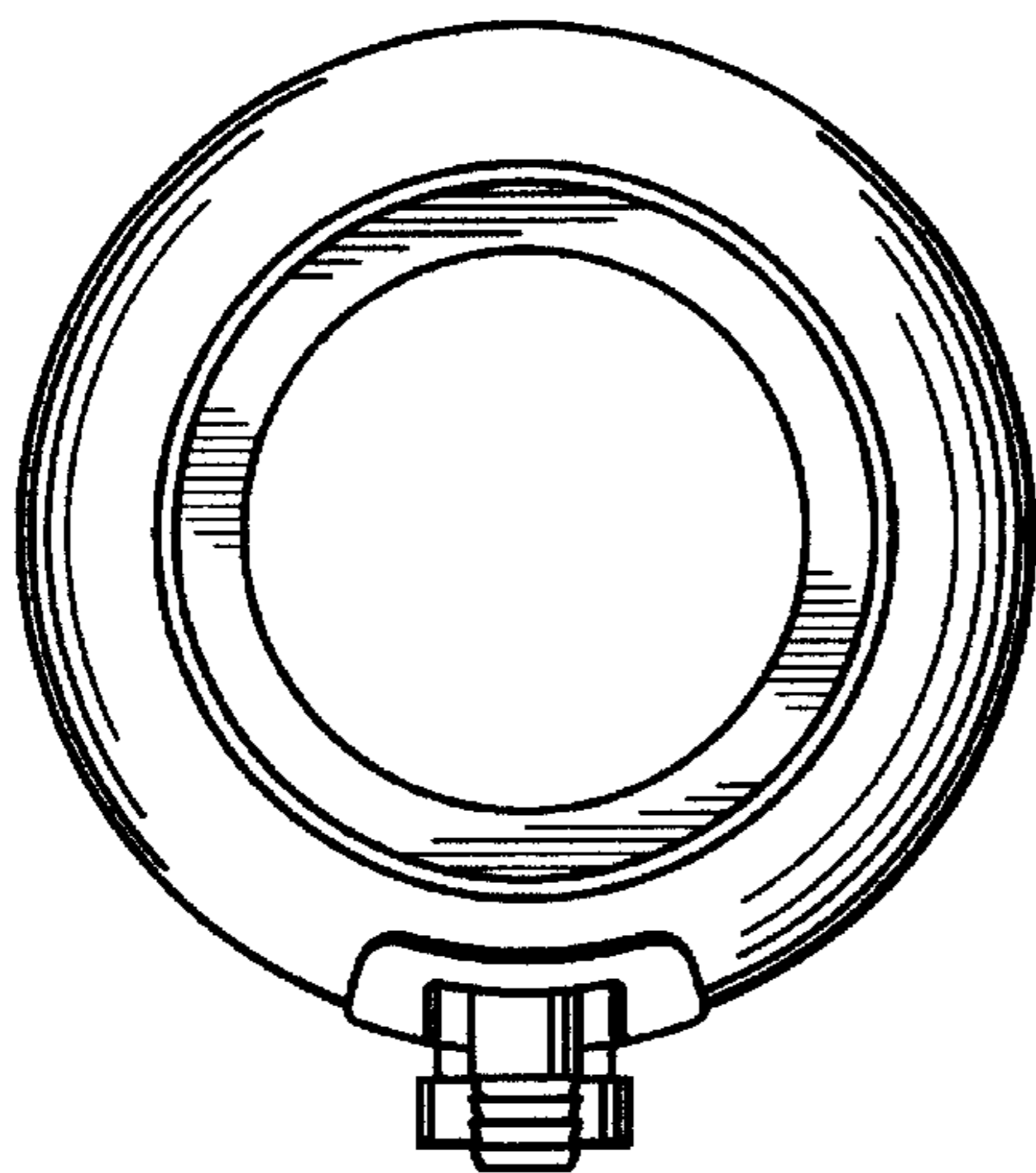
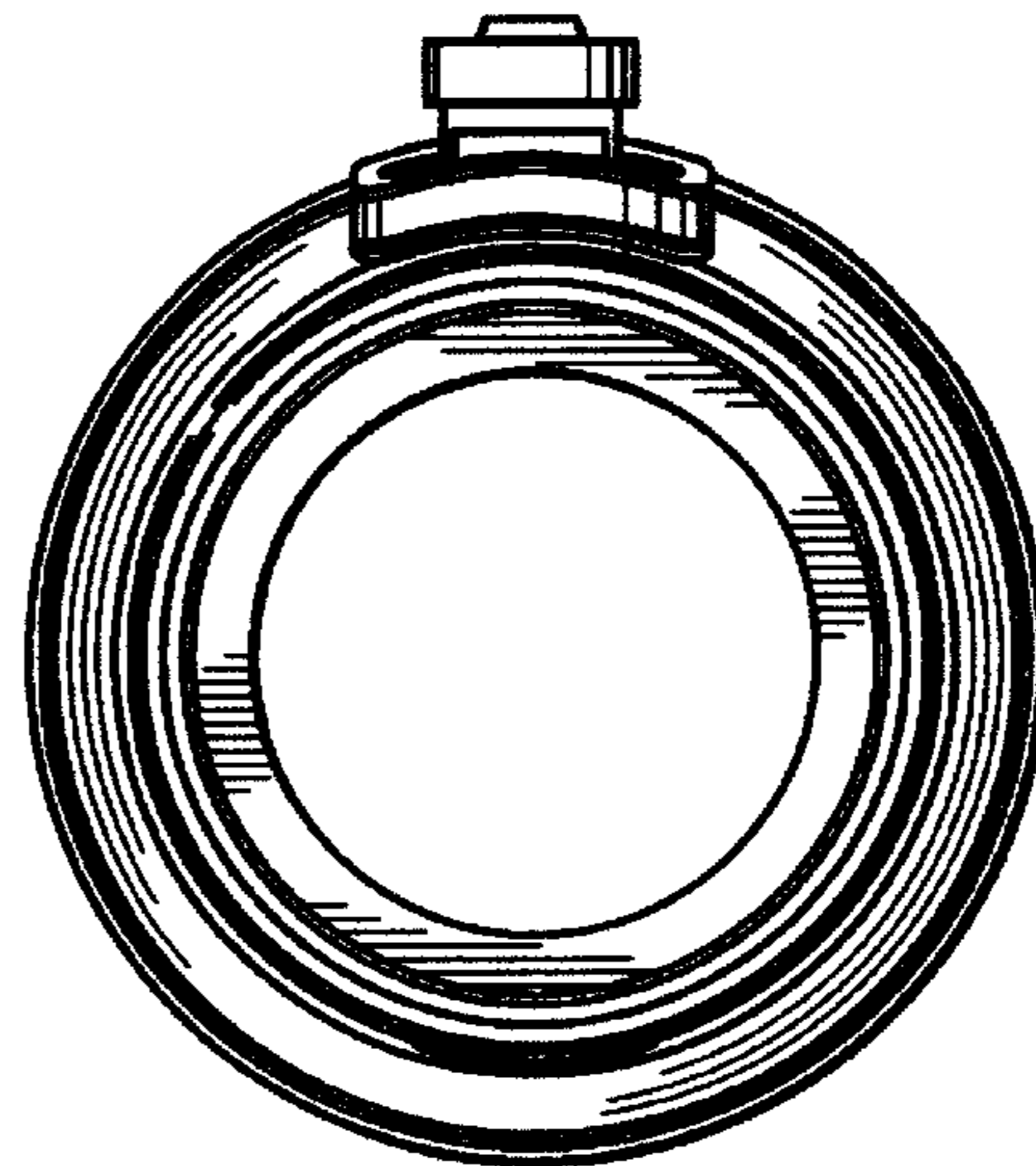


FIG. 7



Disclaimer

D. 535,850 — James Robert Patterson, Oak Creek, WI (US); Thomas M. Garza, Sr., Milwaukee, WI (US); Scott W Anderson, Racine, WI (US); David MacNair, Libertyville, WI (US); Joshua P Malik, Racine, WI (US); Eric Joseph Schultz, Thiensville, WI (US); James Douglas Wilson, Norwood, MA (US); Kevin Robert Young, South Boston, MA (US); and Jo Frances Wollschlaeger, Portland, OR (US). FOOD WASTE DISPOSER TRIM SHELL. Patent dated January 30, 2007. Disclaimer filed November 5, 2012, by the assignee, Emerson Electric Co.

The term of this patent shall not extend beyond the expiration date of Pat. No. D534,760.

(Official Gazette, December 18, 2012)

Disclaimer

D. 535,850—James Robert Patterson, Oak Creek, WI (US); Thomas M. Garza, Sr., Milwaukee, WI (US); Scott W Anderson, Racine, WI (US); David MacNair, Libertyville, WI (US); Joshua P Malik, Racine, WI (US); Eric Joseph Schultz, Thiensville, WI (US); James Douglas Wilson, Norwood, MA (US); Kevin Robert Young, South Boston, MA (US); Jo Frances Wollschlaeger, Portland, OR (US). FOOD WASTE DISPOSER TRIM SHELL. Patent dated January 30, 2007. Disclaimer filed November 5, 2012, by the assignee, Emerson Electric Co.

The term of this patent shall not extend beyond the expiration date of Pat. No. D. 534,760.

(Official Gazette, February 26, 2013)