



US00D535845S

(12) **United States Design Patent**
King

(10) **Patent No.:** **US D535,845 S**

(45) **Date of Patent:** **** Jan. 30, 2007**

(54) **COMBINED BARBEQUE AND ROASTING SPIT**

D430,450 S * 9/2000 Chester D7/334
2005/0155496 A1 * 7/2005 Lu 99/419

(76) Inventor: **Angela King**, Ash Tree Farm, North Green, Pullman St. Mary Suffolk, IP21 4XX (GB)

FOREIGN PATENT DOCUMENTS

DE 40 31 485 2/1992
GB 1 129 239 10/1968

(**) Term: **14 Years**

* cited by examiner

(21) Appl. No.: **29/243,815**

Primary Examiner—Ruth McInroy
(74) *Attorney, Agent, or Firm*—Synnestvedt & Lechner LLP

(22) Filed: **Nov. 30, 2005**

(30) **Foreign Application Priority Data**

(57) **CLAIM**

Jun. 3, 2005 (GB) 3021473

The ornamental design for a combined barbeque and roasting spit, as shown and described.

(51) **LOC (8) Cl.** **07-02**

DESCRIPTION

(52) **U.S. Cl.** **D7/332**

(58) **Field of Classification Search** D7/332, D7/334-337, 402-405, 417; 126/25 R, 25 A, 126/25 AA, 25 B, 41 R, 50, 59, 59.5, 37 R, 126/9 R, 9 B, 29-30, 276, 332, 334; 211/215, 211/134-135, 153; 99/481-482, 444, 419, 99/421 R, 421 H, 421 HV; 426/314; 312/236
See application file for complete search history.

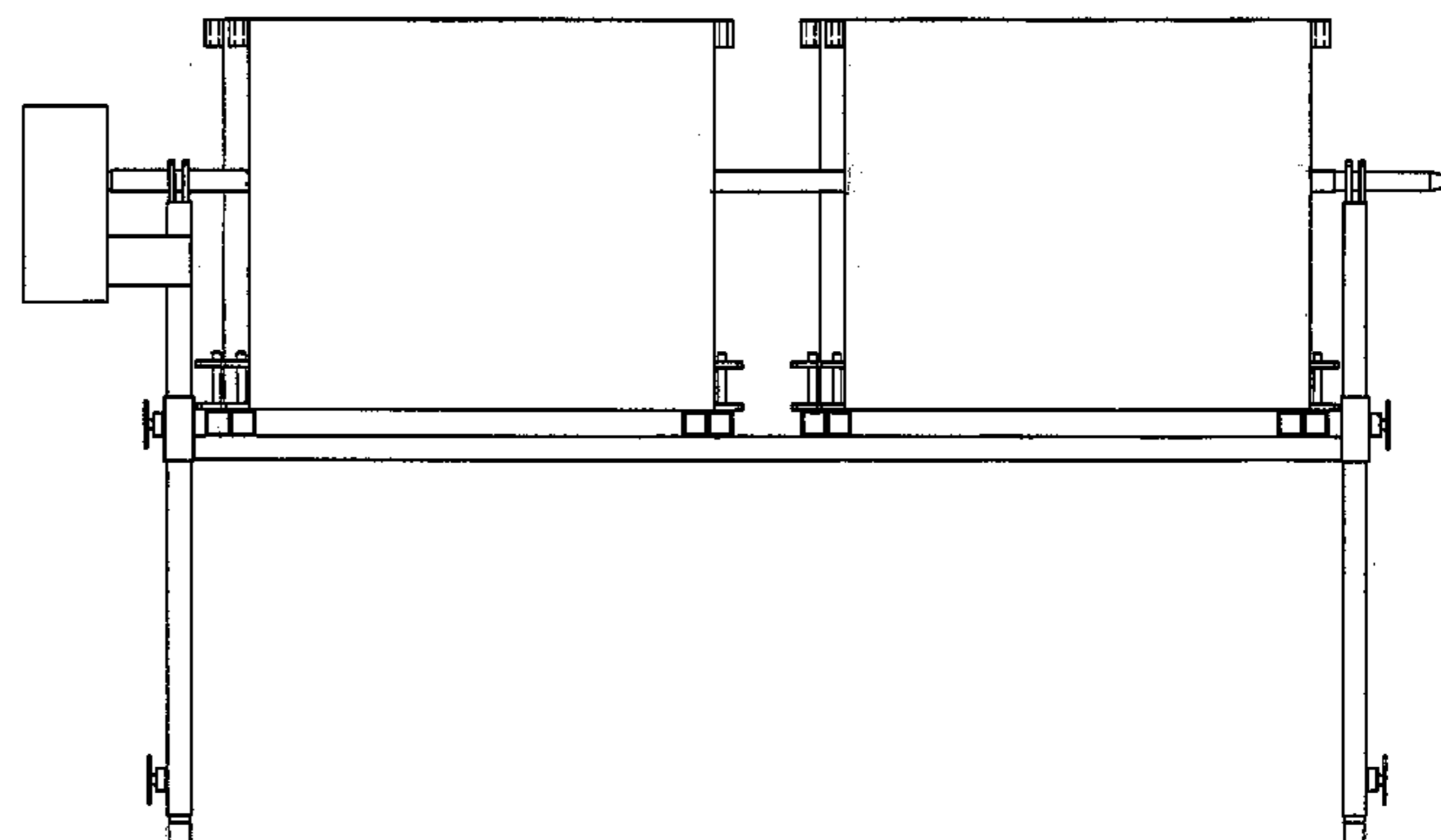
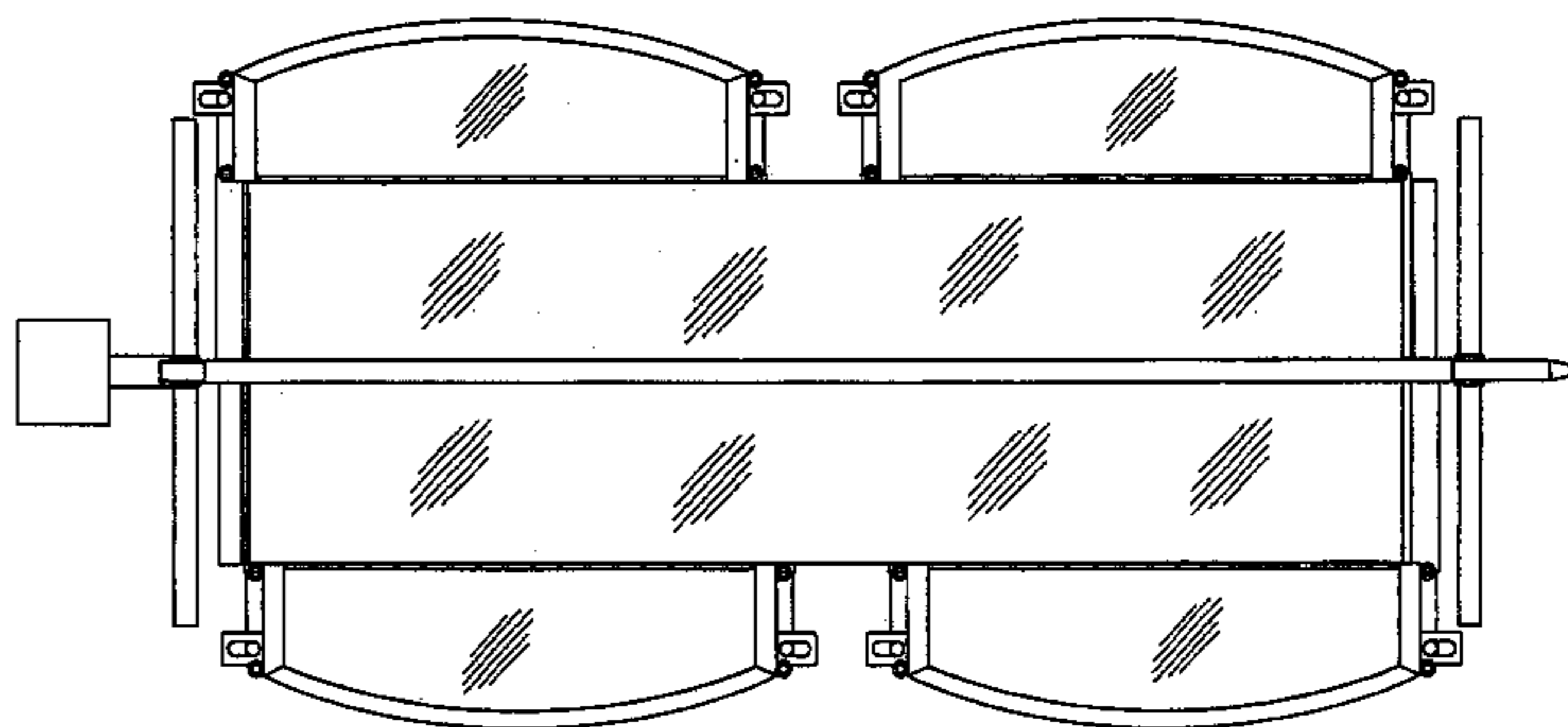
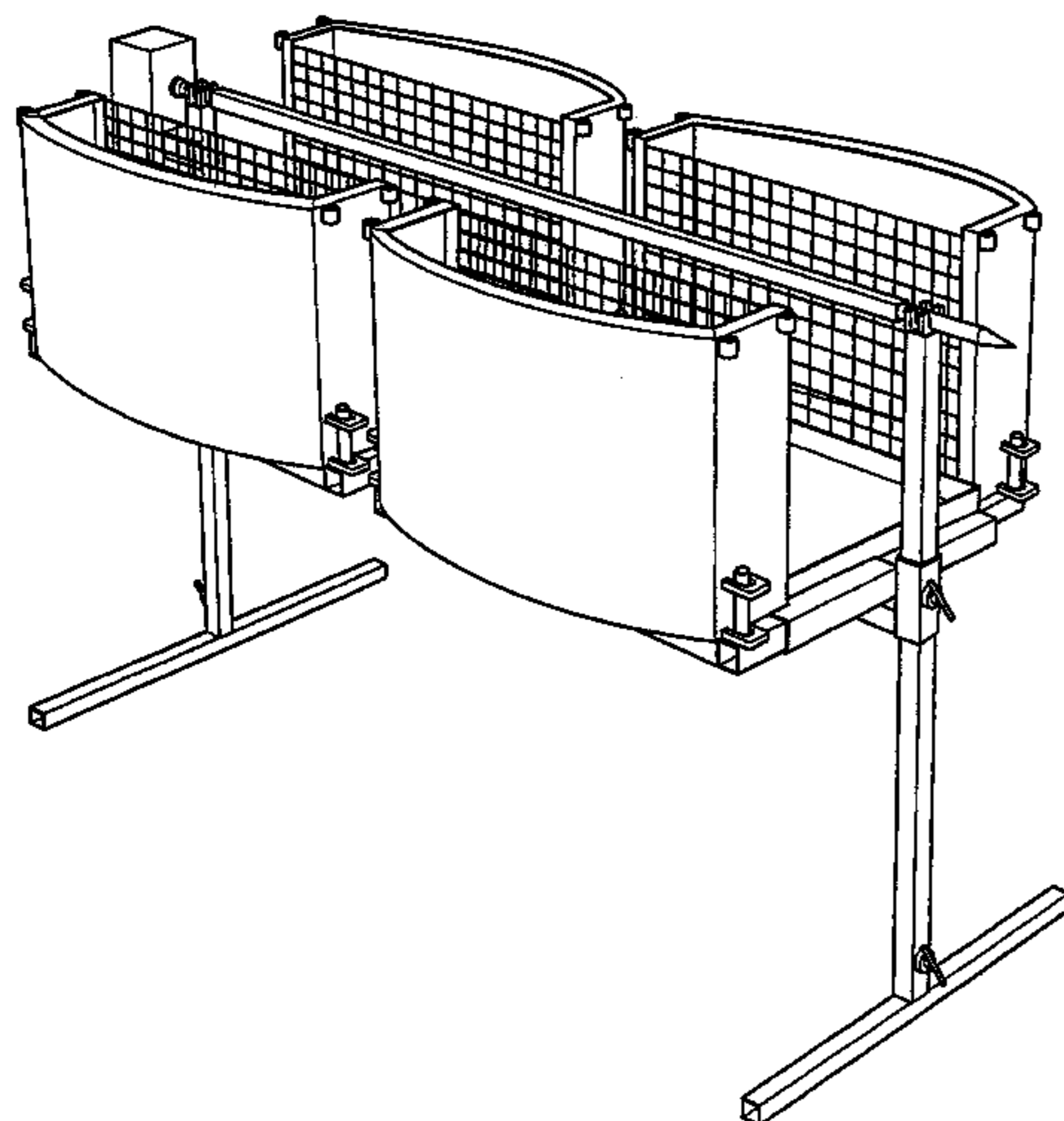
FIG. 1 is a perspective view of my design for a combined barbeque and roasting spit;
FIG. 2 is a top view of my design for the combined barbeque and roasting spit shown in FIG. 1;
FIG. 3 is a left side view of my design for the combined barbeque and roasting spit shown in FIG. 1;
FIG. 4 is a right side view of my design for the combined barbeque and roasting spit shown in FIG. 1;
FIG. 5 is a bottom view of my design for the combined barbeque and roasting spit shown in FIG. 1;
FIG. 6 is a left end view of my design for the combined barbeque and roasting spit shown in FIG. 1; and,
FIG. 7 is a right end view of my design for the combined barbeque and roasting spit shown in FIG. 1.

(56) **References Cited**

U.S. PATENT DOCUMENTS

D155,631 S * 10/1949 Roedfer D7/332
D173,846 S * 1/1955 McQuarrie D7/334
2,821,187 A * 1/1958 Tescula 126/25 A
D286,256 S * 10/1986 Jung D7/334
D381,552 S * 7/1997 Pizzey et al. D7/332

1 Claim, 6 Drawing Sheets



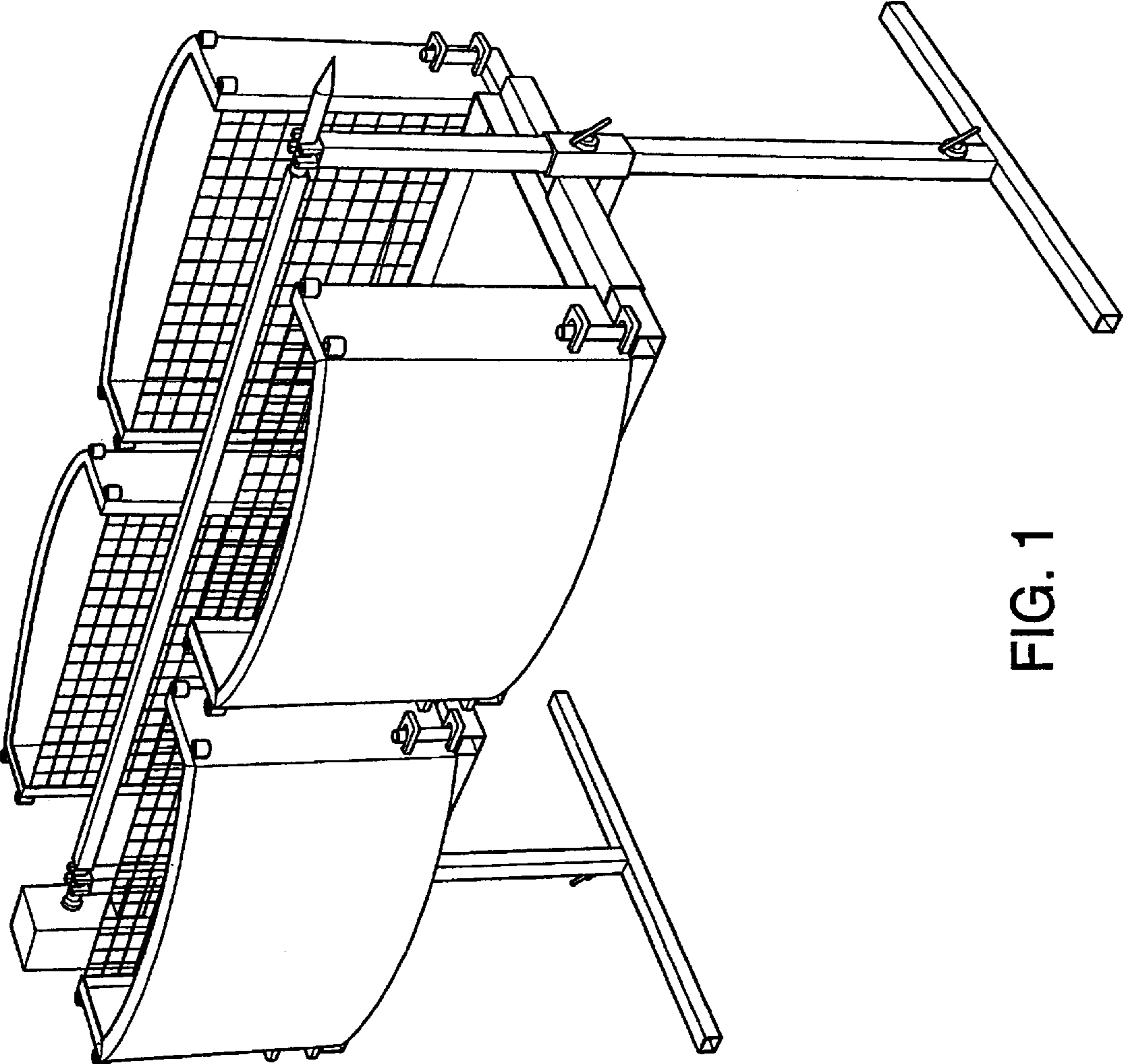


FIG. 1

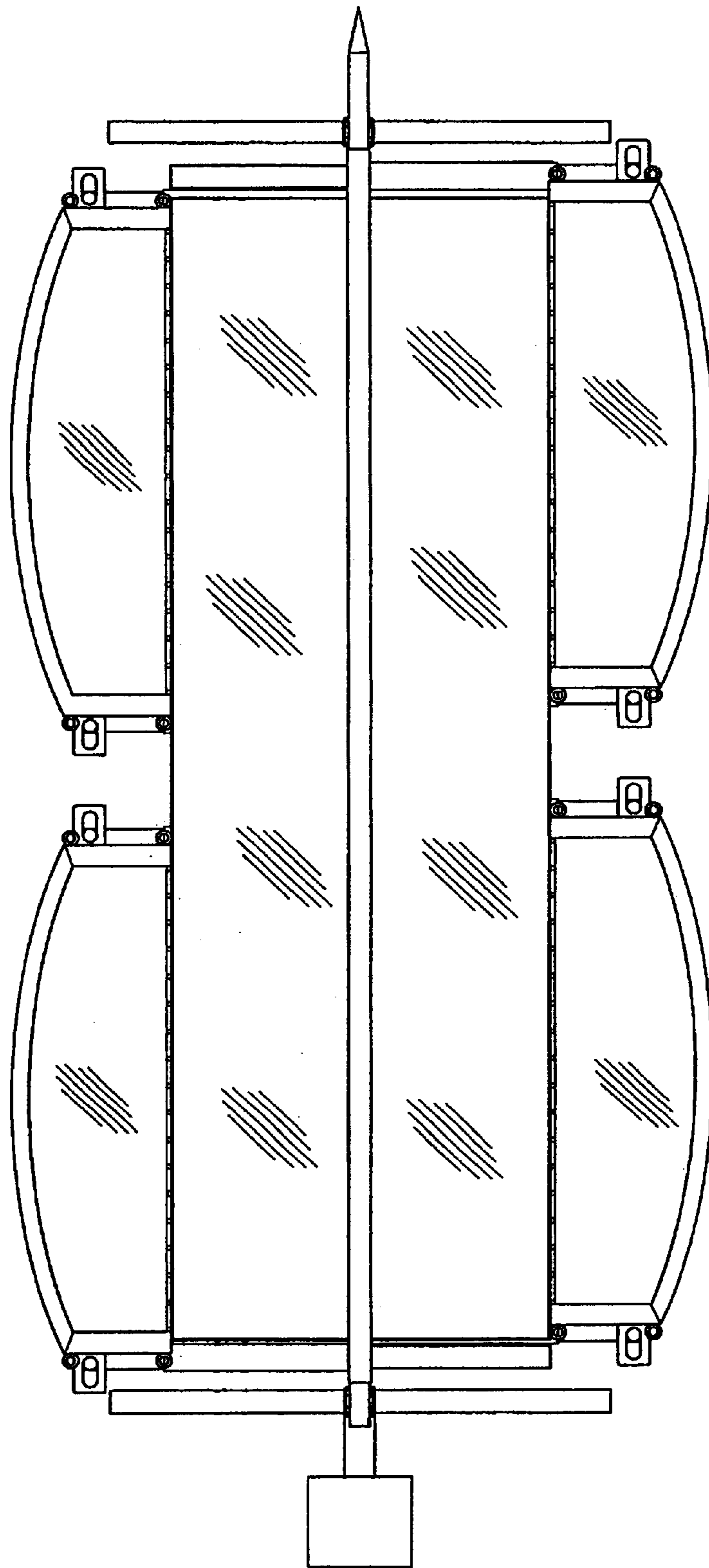


FIG. 2

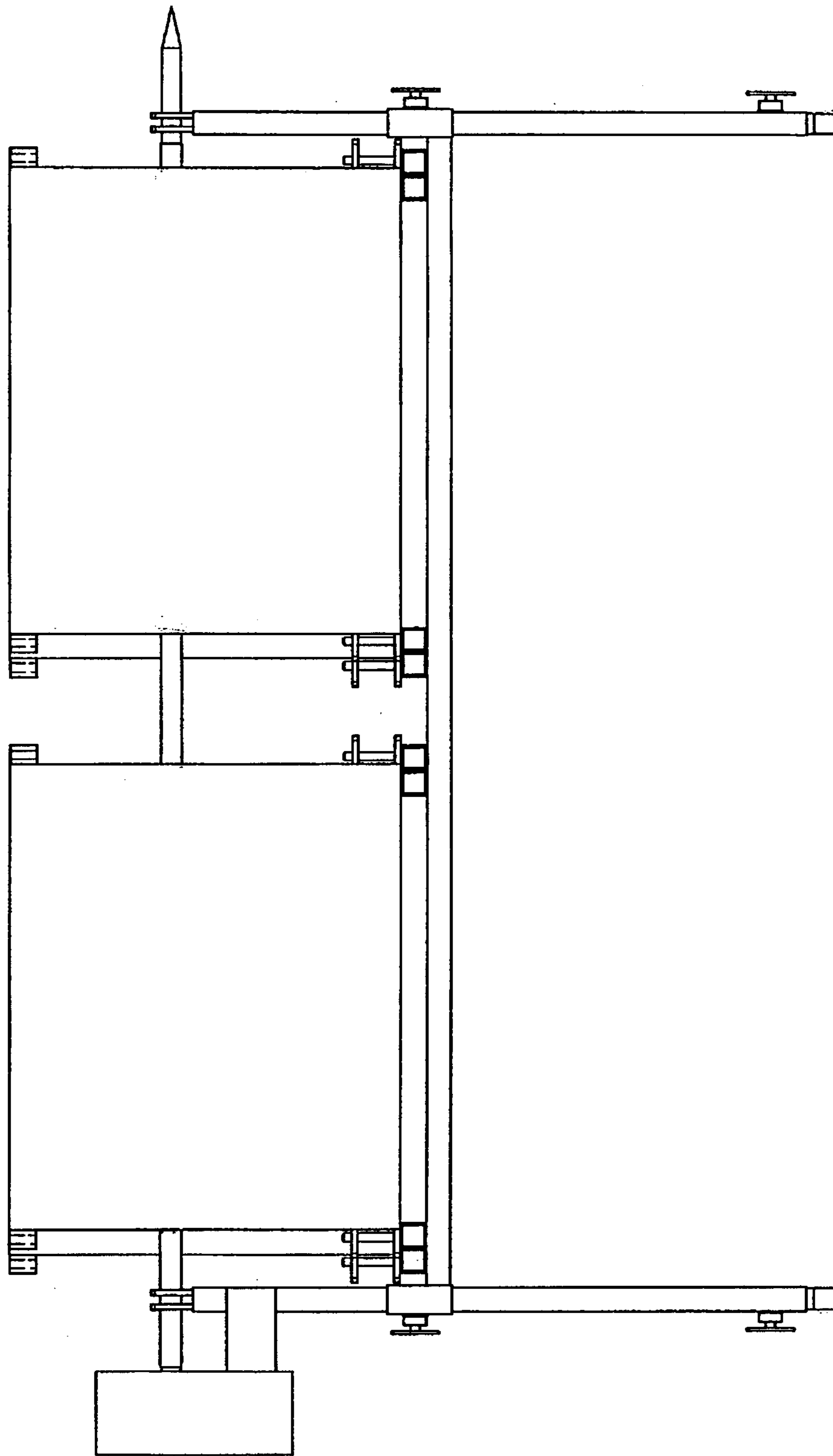


FIG. 3

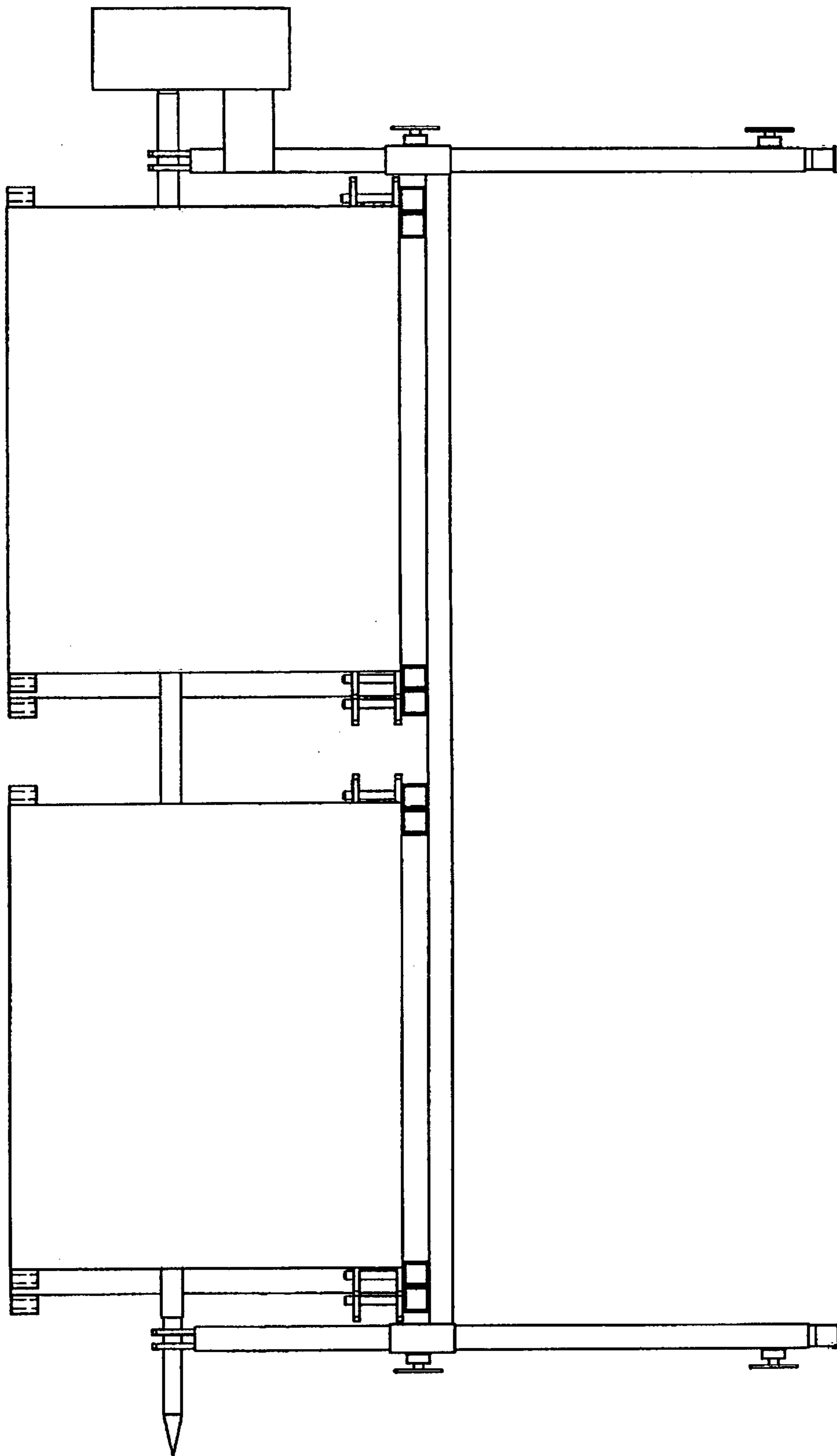


FIG. 4

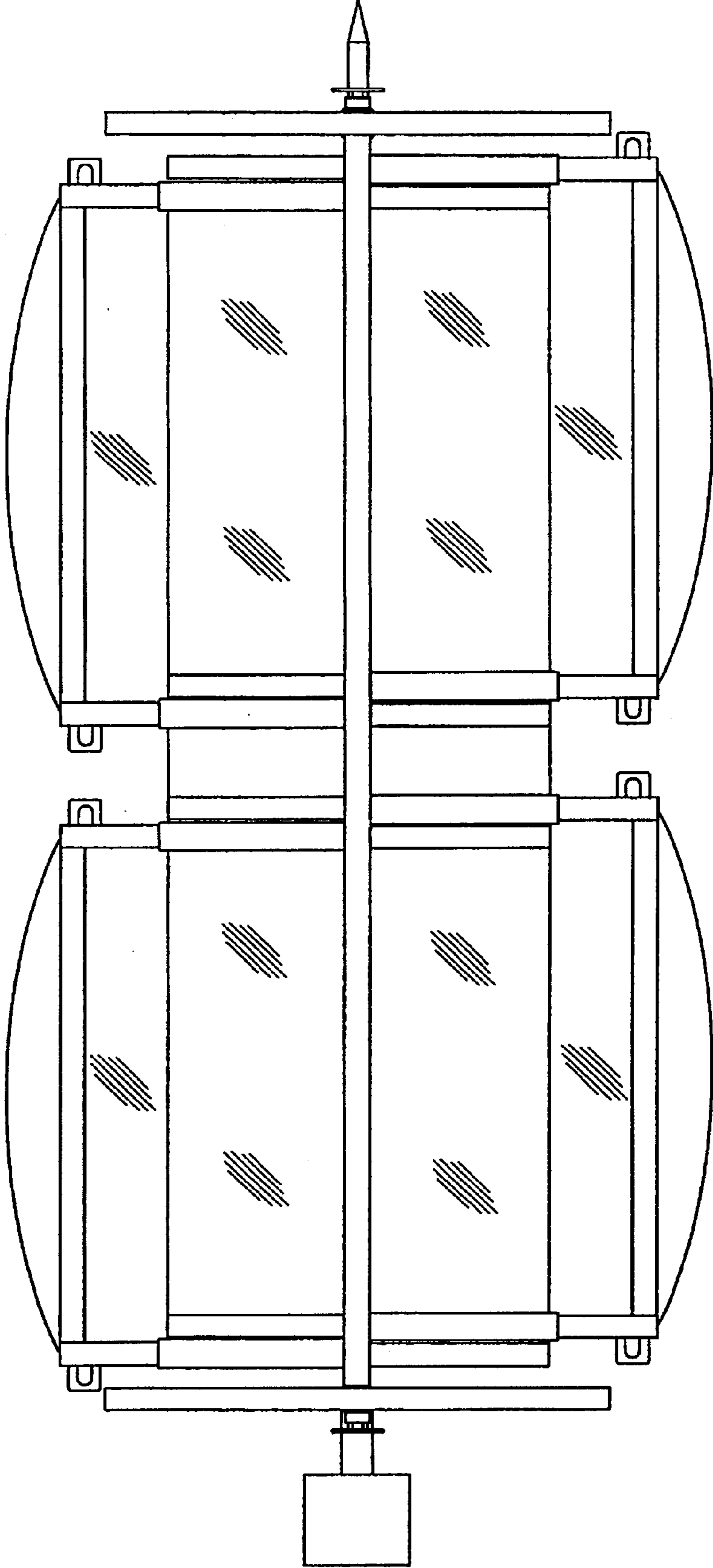


FIG. 5

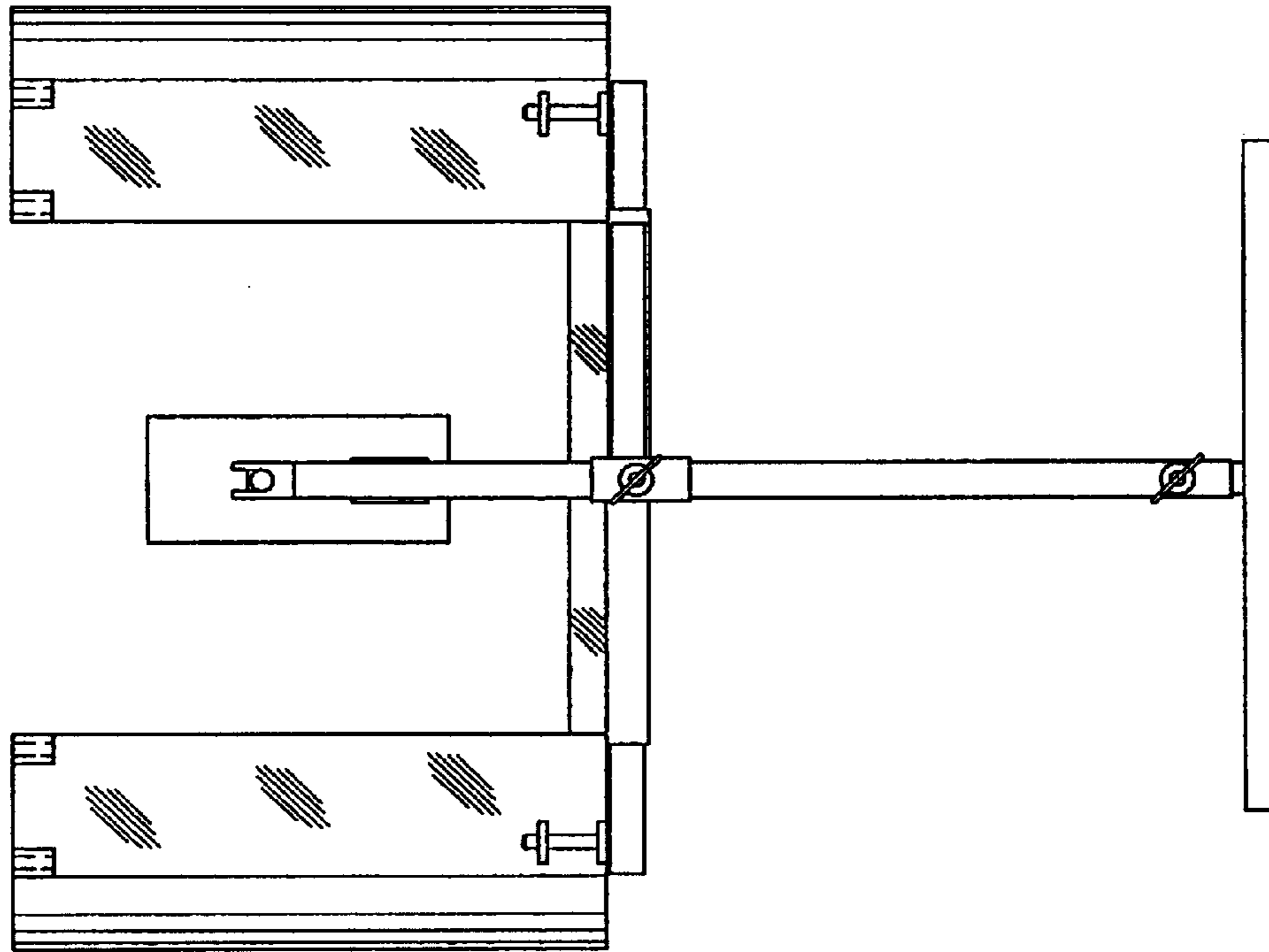


FIG. 7

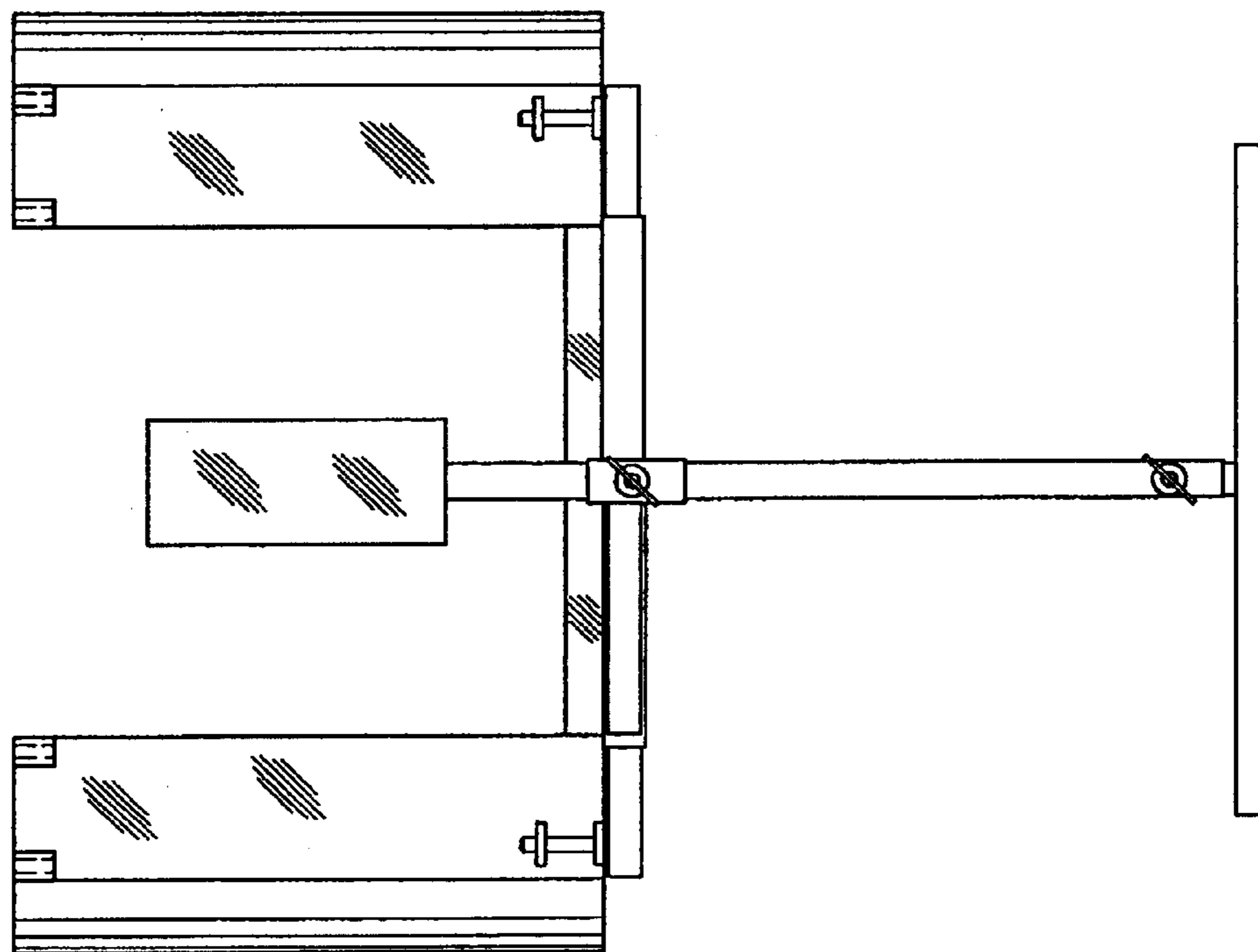


FIG. 6