



US00D535843S

(12) **United States Design Patent**
Miller

(10) **Patent No.:** **US D535,843 S**

(45) **Date of Patent:** **** Jan. 30, 2007**

(54) **ARTICLE HOLDING ASSEMBLY**

(76) **Inventor:** **Jody L. Miller**, 6568 Beachview Dr.
#331, Rancho Palace Verdos, CA (US)
90275

(**) **Term:** **14 Years**

(21) **Appl. No.:** **29/214,297**

(22) **Filed:** **Oct. 1, 2004**

(51) **LOC (8) Cl.** **06-04**

(52) **U.S. Cl.** **D6/570**

(58) **Field of Classification Search** D6/552,
D6/553, 512-514, 570, 572; 211/13.1, 30,
211/32, 59.1, 60.1, 85.15, 86.01, 89.01; 248/200,
248/218.4, 309.1

See application file for complete search history.

(56) **References Cited**

U.S. PATENT DOCUMENTS

D257,709 S	*	12/1980	Lewis	D6/513
4,291,810 A		9/1981	Rubenstein		
4,414,717 A		11/1983	Payne		
D367,574 S	*	3/1996	Werner	D6/514
D378,219 S	*	2/1997	Marshallack	D6/513

5,813,736 A		9/1998	Ballew		
5,921,601 A		7/1999	Buckles		
5,967,341 A	*	10/1999	Werner	211/85.15
6,213,316 B1	*	4/2001	Gretz	211/85.15
6,279,204 B1		8/2001	Gonzalez		
D457,365 S	*	5/2002	Shea	D6/513
6,389,652 B1		5/2002	Williams		
D499,294 S	*	12/2004	Scott	D6/513
2003/0160060 A1		8/2003	Hornblad et al.		

* cited by examiner

Primary Examiner—Brian N Vinson

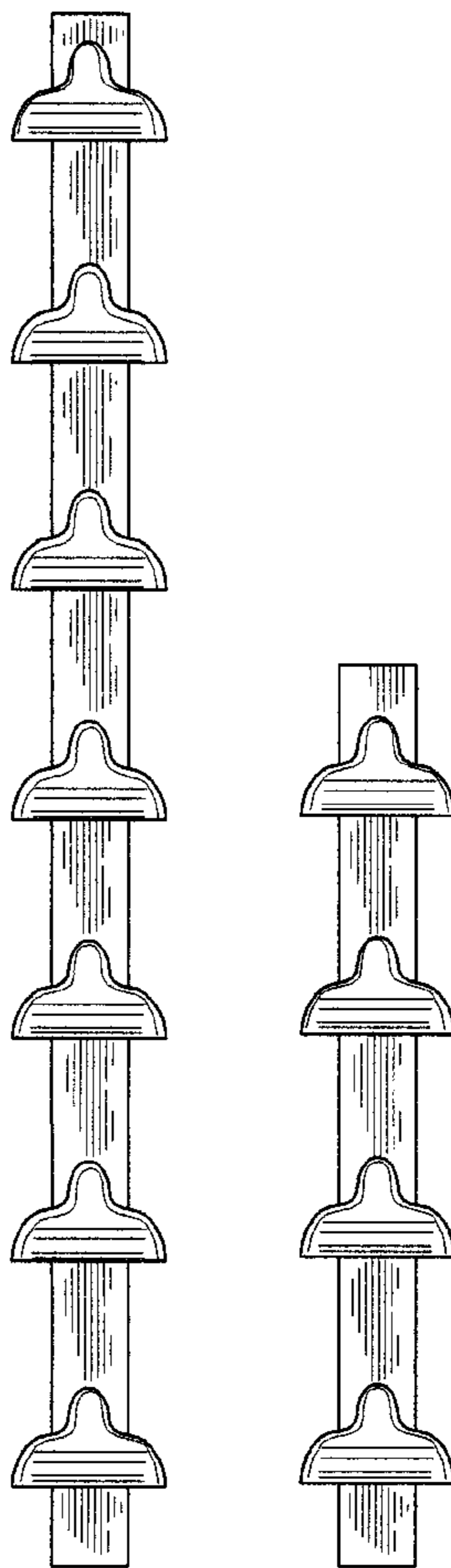
(57) **CLAIM**

The ornamental design for a article holding assembly, as shown and described.

DESCRIPTION

FIG. 1 is a front elevational view of a article holding assembly showing my new design; FIG. 2 is a rear elevational view thereof; FIG. 3 is a side elevational view thereof; FIG. 4 is a top plan view thereof; and, FIG. 5 is a bottom plan view thereof.

1 Claim, 3 Drawing Sheets



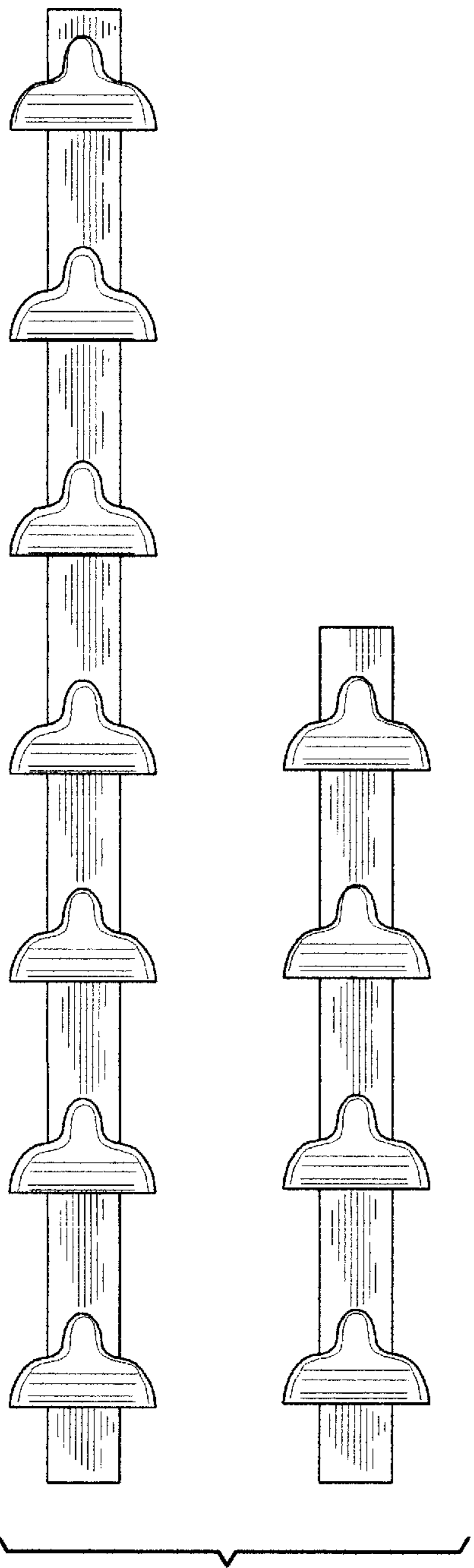


FIG. 1

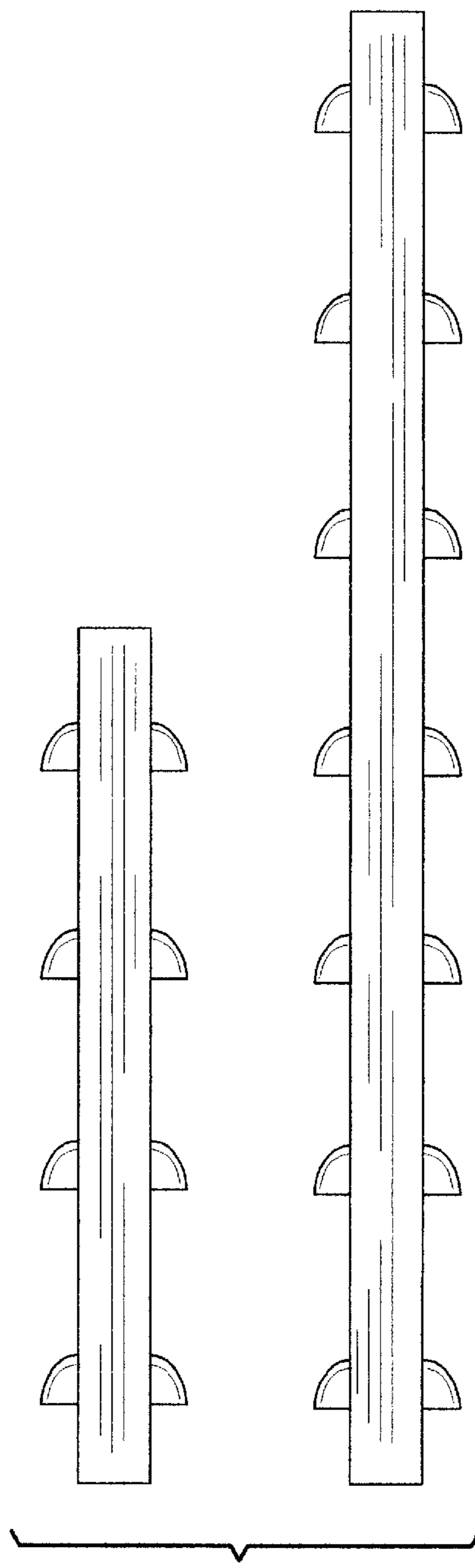


FIG. 2

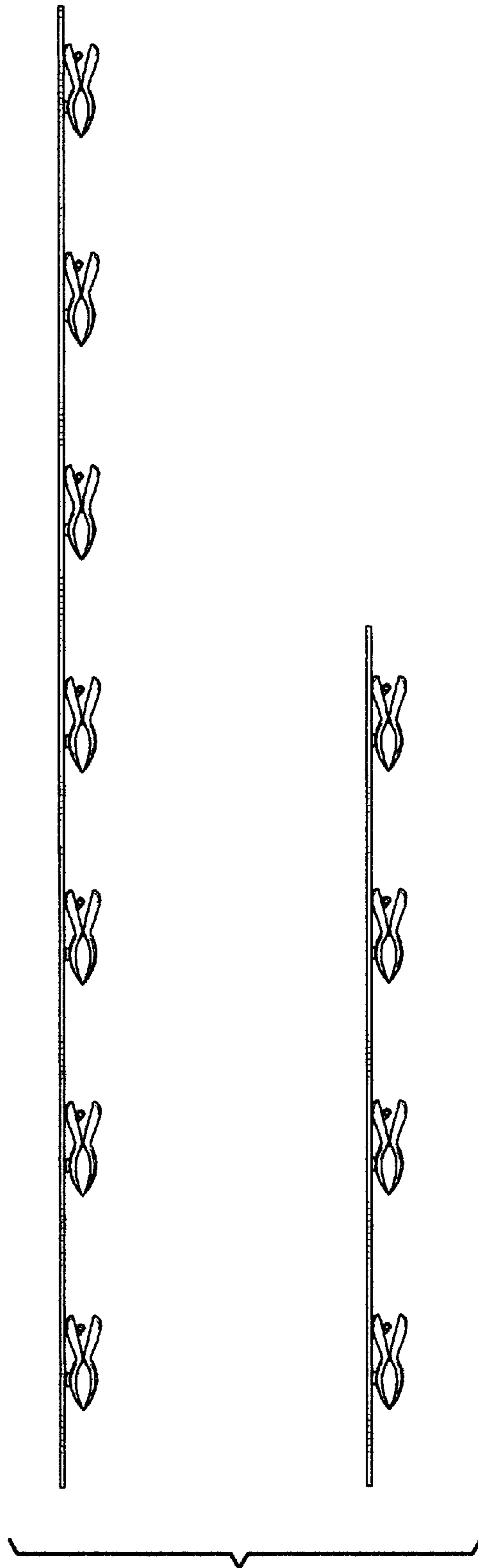


FIG. 3

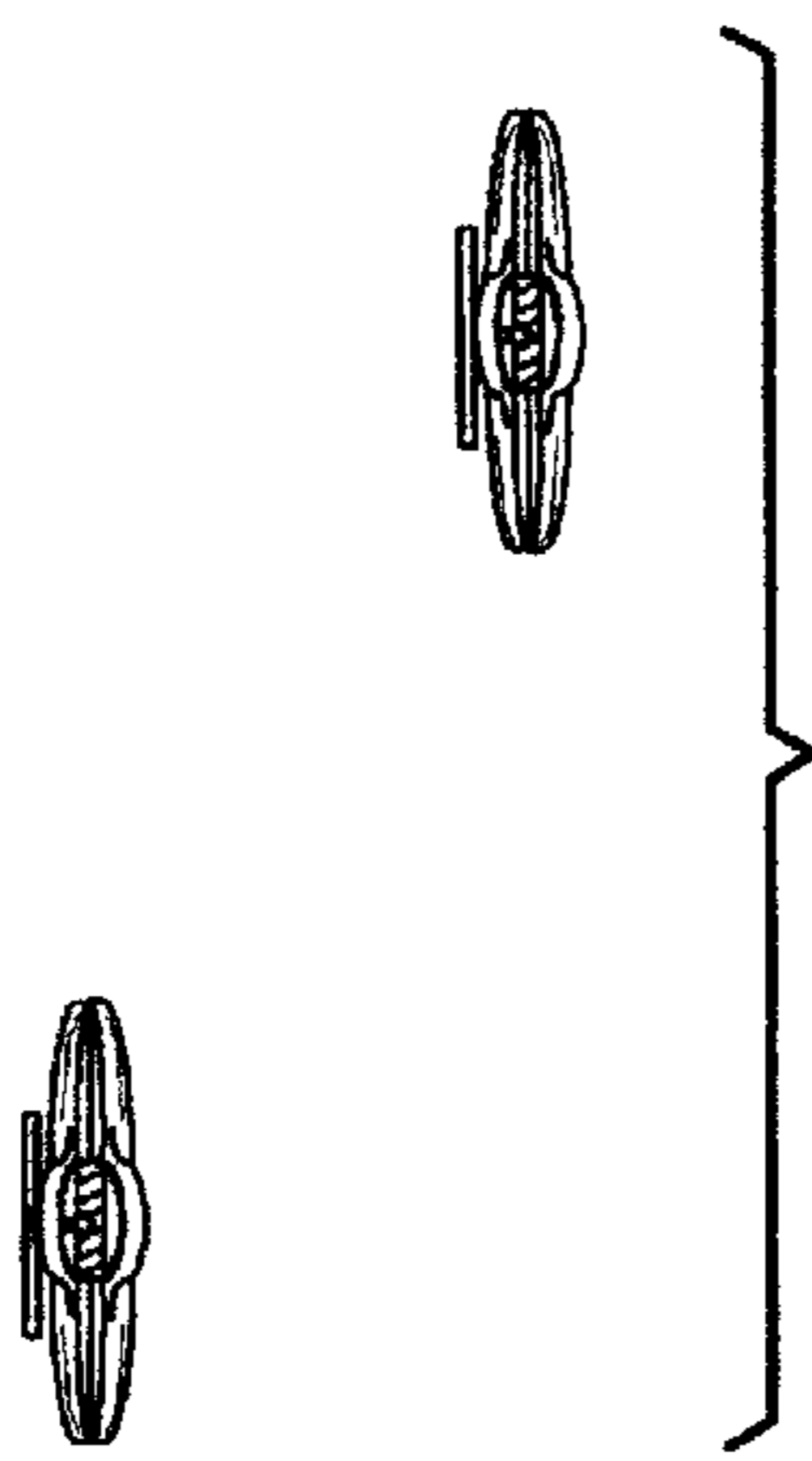


FIG. 4

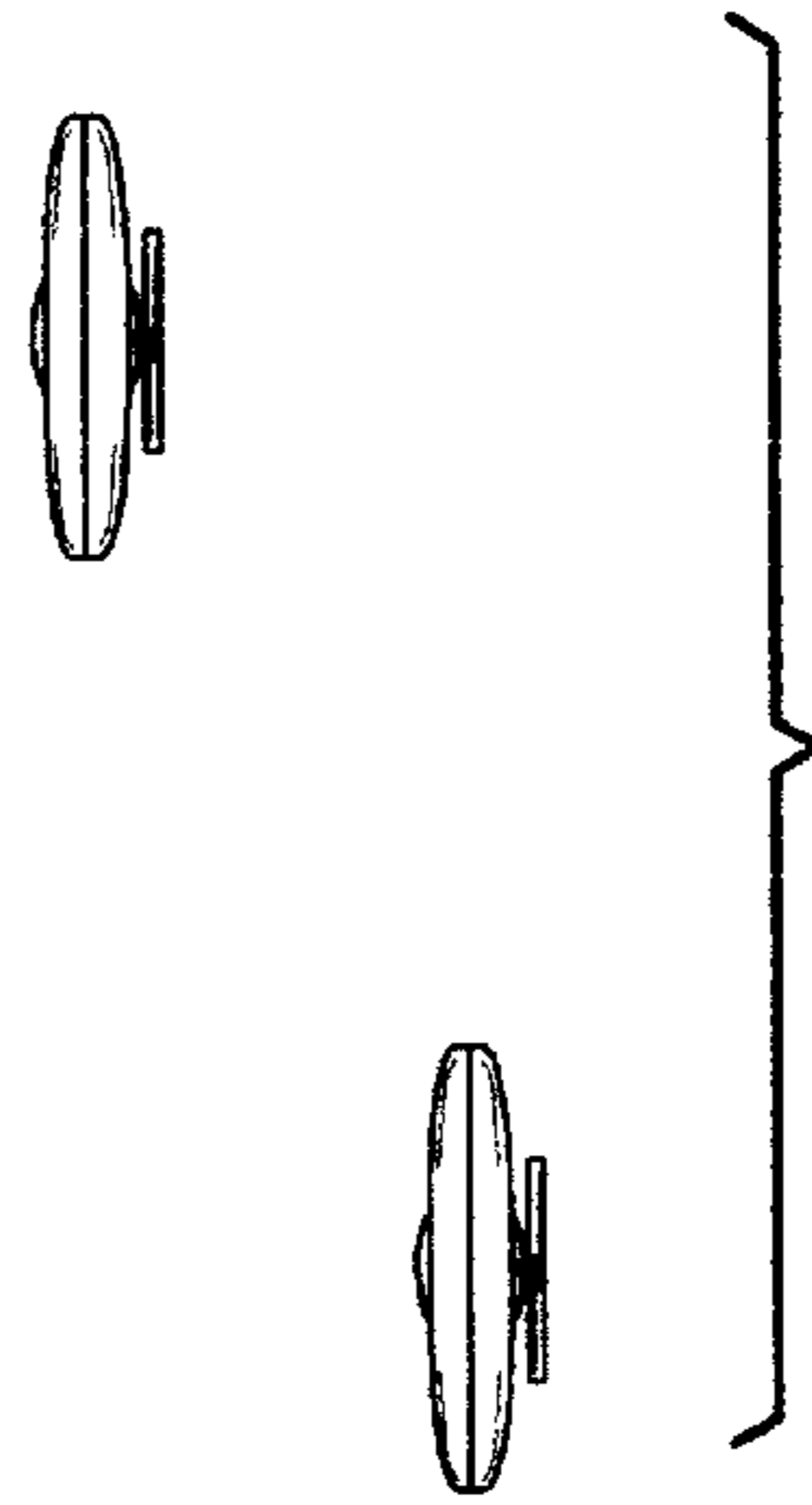


FIG. 5