



US00D535842S

(12) **United States Design Patent**  
**Wood**

(10) **Patent No.:** **US D535,842 S**

(45) **Date of Patent:** **\*\* Jan. 30, 2007**

(54) **OBJECT HOLDER**

(76) Inventor: **George W. Wood**, 1000 Shelard Pkwy.,  
Suite 210, Minneapolis, MN (US)  
55426

(\*\*) Term: **14 Years**

(21) Appl. No.: **29/211,325**

(22) Filed: **Aug. 16, 2004**

(51) **LOC (8) Cl.** ..... **06-04**

(52) **U.S. Cl.** ..... **D6/567**

(58) **Field of Classification Search** ..... D6/553,  
D6/567; D19/75, 78, 86, 90; 211/13.1, 41.1,  
211/41.12, 42, 45

See application file for complete search history.

4,971,278 A	11/1990	Woods	
D316,111 S	4/1991	Hawes, Jr. et al.	
D324,932 S	3/1992	Zingaro et al.	
D353,735 S	* 12/1994	English	..... D6/567
D359,404 S	6/1995	Svee	
D372,146 S	7/1996	Svee	
D383,633 S	9/1997	Schweitzer	
D391,990 S	* 3/1998	Wolff	..... D19/78
5,803,275 A	9/1998	Schweitzer	
D410,164 S	* 5/1999	Rashid	..... D6/567
5,996,821 A	12/1999	Farber et al.	
D419,301 S	* 1/2000	Hampshire	..... D6/567
D422,828 S	* 4/2000	Kanfer et al.	..... D6/567
6,305,656 B1	10/2001	Wemyss	
D497,755 S	11/2004	Wood et al.	

\* cited by examiner

*Primary Examiner*—Brian N Vinson

(74) *Attorney, Agent, or Firm*—Wood, Phillips, Katz, Clark  
& Mortimer

(56) **References Cited**

U.S. PATENT DOCUMENTS

176,341 A	4/1876	Osborn
1,350,118 A	8/1920	Spelling
1,680,668 A	8/1928	De Boer
2,401,318 A	6/1946	Robinson et al.
D162,153 S	2/1951	Gilfert
2,693,370 A	11/1954	Wheatley
3,556,341 A	1/1971	Rains
3,642,122 A	2/1972	Von Ende
3,670,525 A	6/1972	Mulligan
3,986,649 A	10/1976	Heimstra
4,100,684 A	7/1978	Berger
D267,808 S	2/1983	Russo
D271,942 S	12/1983	Goldman
4,535,921 A	8/1985	Sanders
4,660,715 A	4/1987	Anastos
4,678,150 A	7/1987	Newman et al.
D298,639 S	11/1988	Wolff
D299,477 S	1/1989	Klodt
4,895,267 A	1/1990	Karlsson
D308,076 S	5/1990	Gecchelin

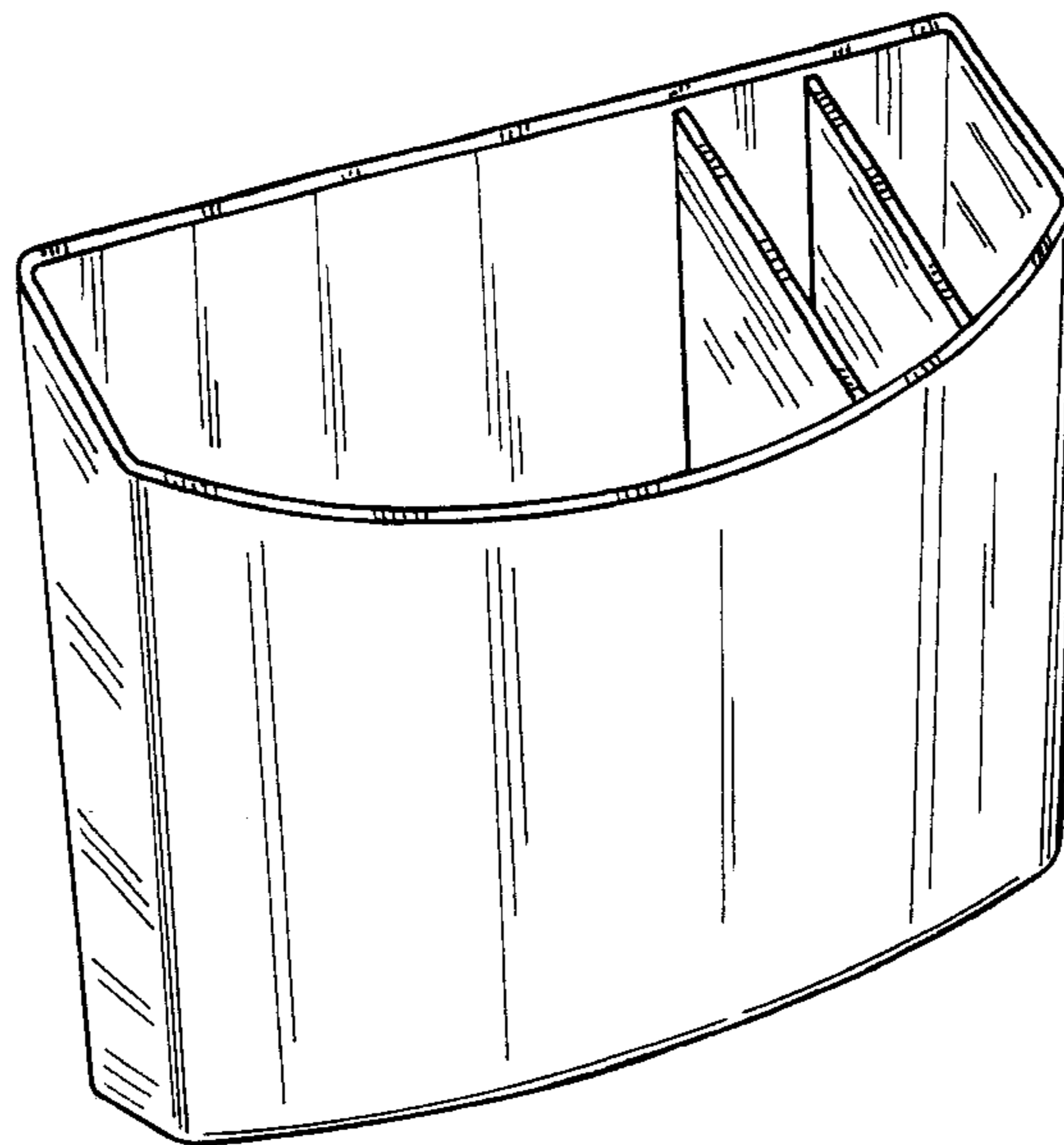
(57) **CLAIM**

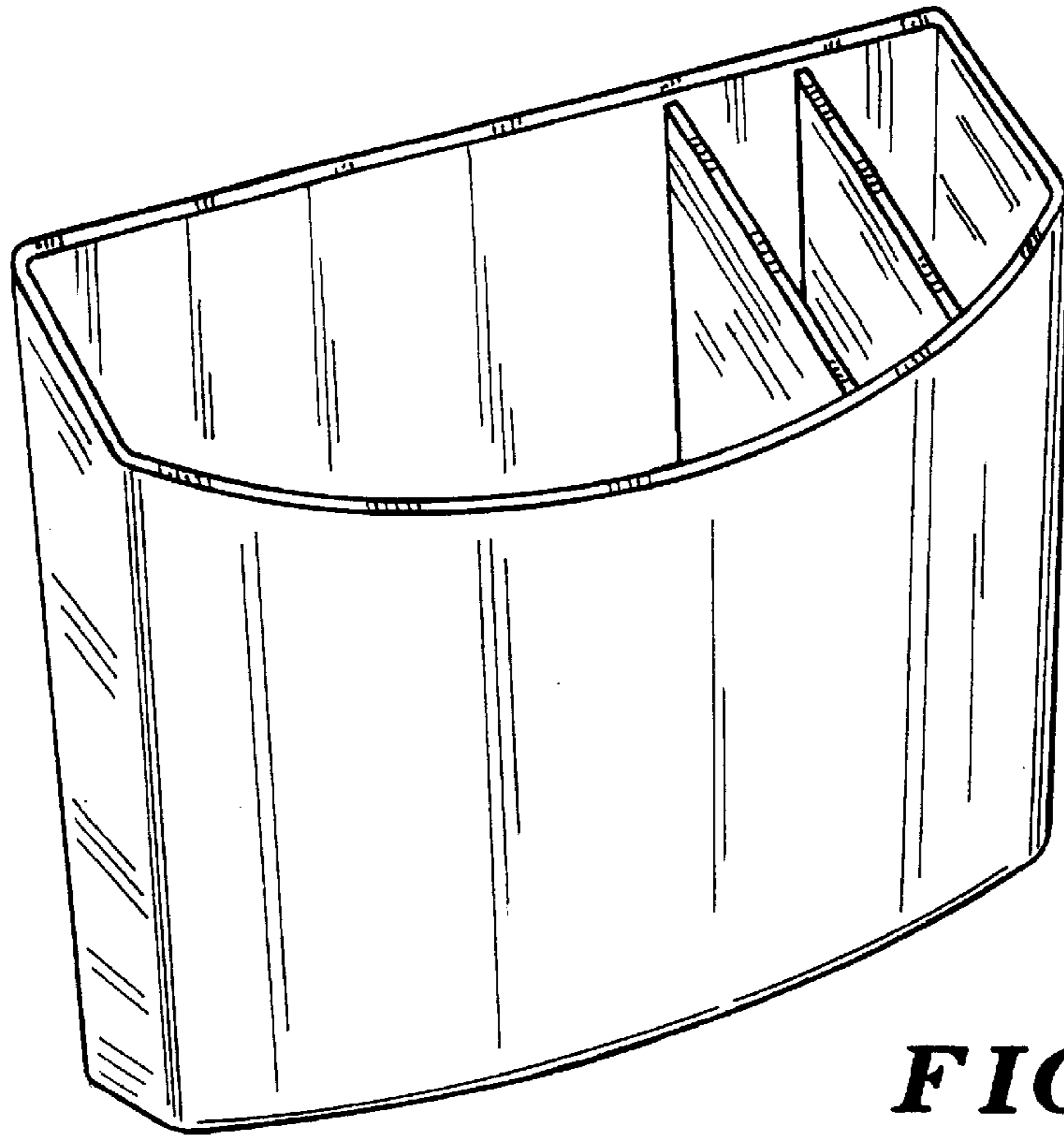
The ornamental design of an object holder, as shown and described.

**DESCRIPTION**

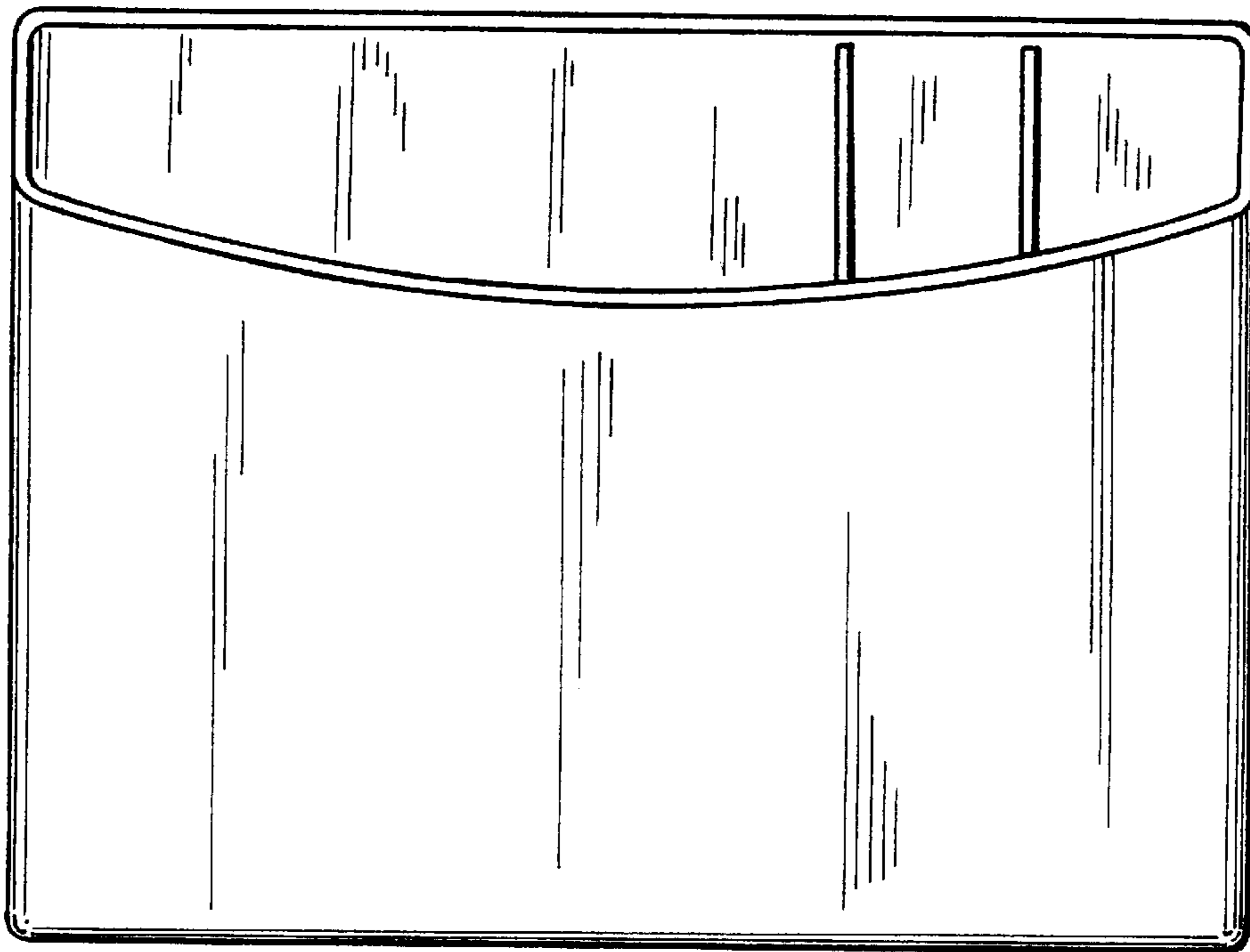
FIG. 1 is a perspective view of the object holder of my new design;  
 FIG. 2 is a front elevational view thereof;  
 FIG. 3 is a side elevational view of the left side thereof;  
 FIG. 4 is a side elevational view of the right side thereof;  
 FIG. 5 is a top plan view thereof;  
 FIG. 6 is a bottom plan view thereof;  
 FIG. 7 is a rear elevational view thereof;  
 FIG. 8 is a sectional view taken along line 8—8 of FIG. 7;  
 and,  
 FIG. 9 is an enlarged sectional view taken along line 9—9  
 of FIG. 8.

**1 Claim, 3 Drawing Sheets**

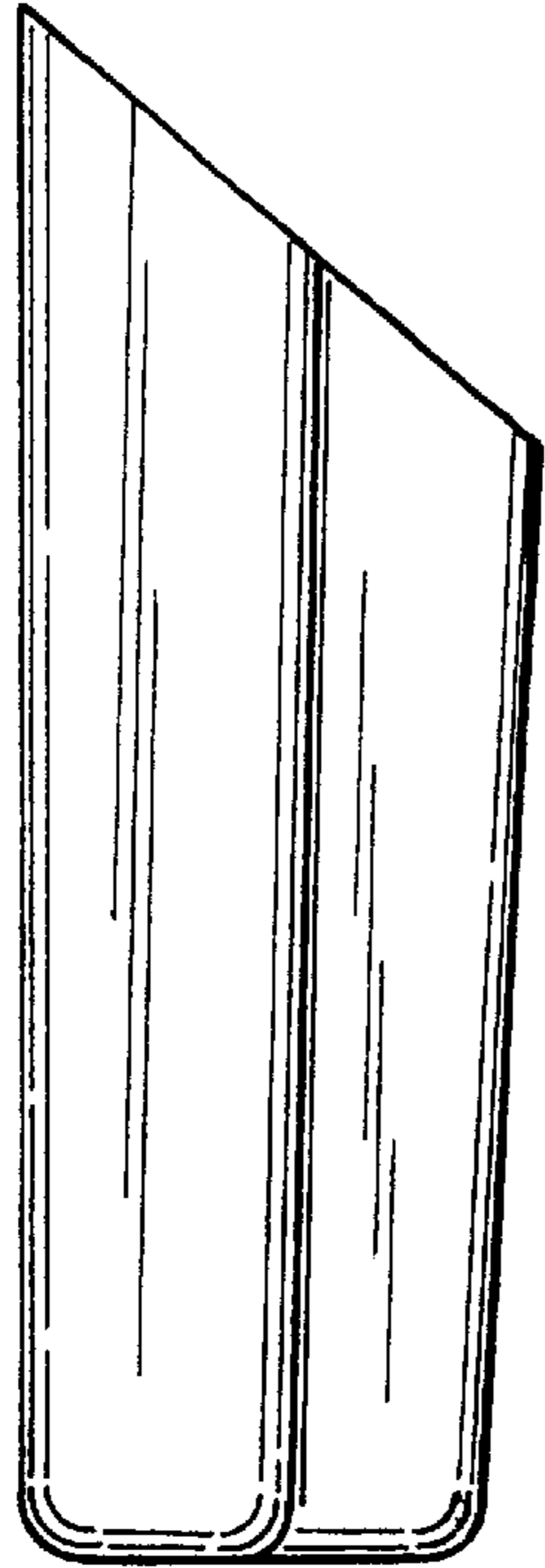




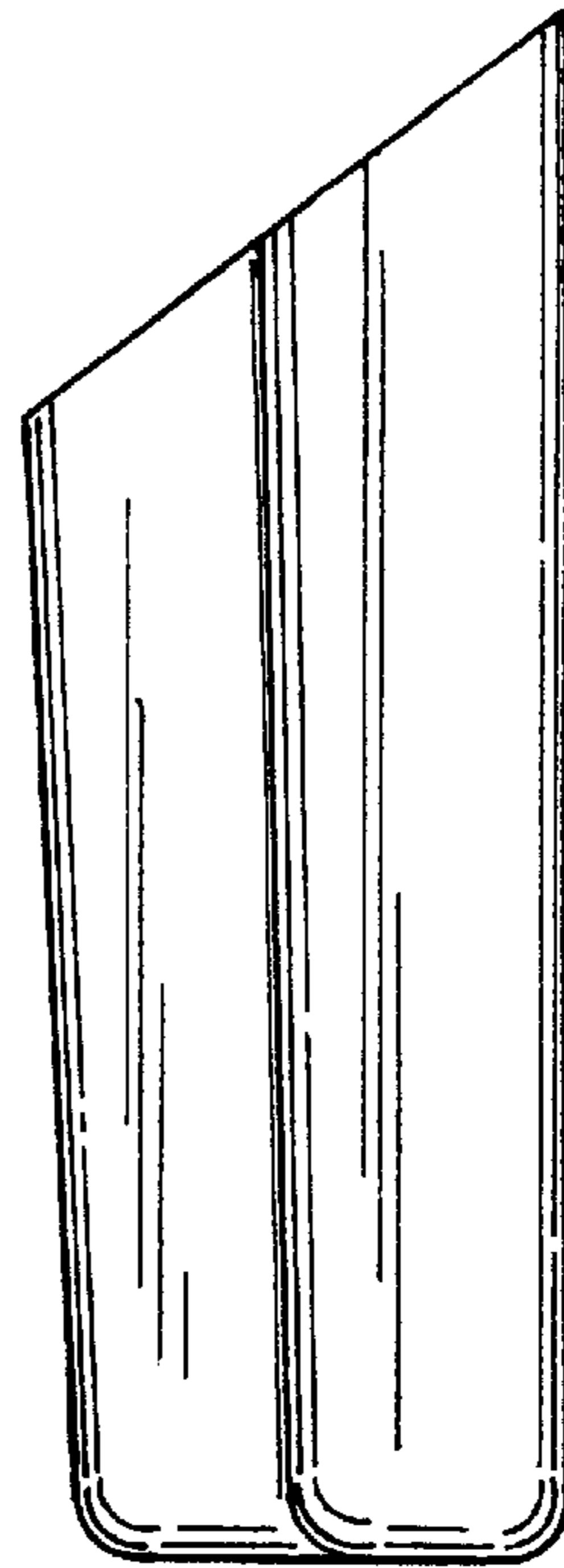
**FIG. 1**



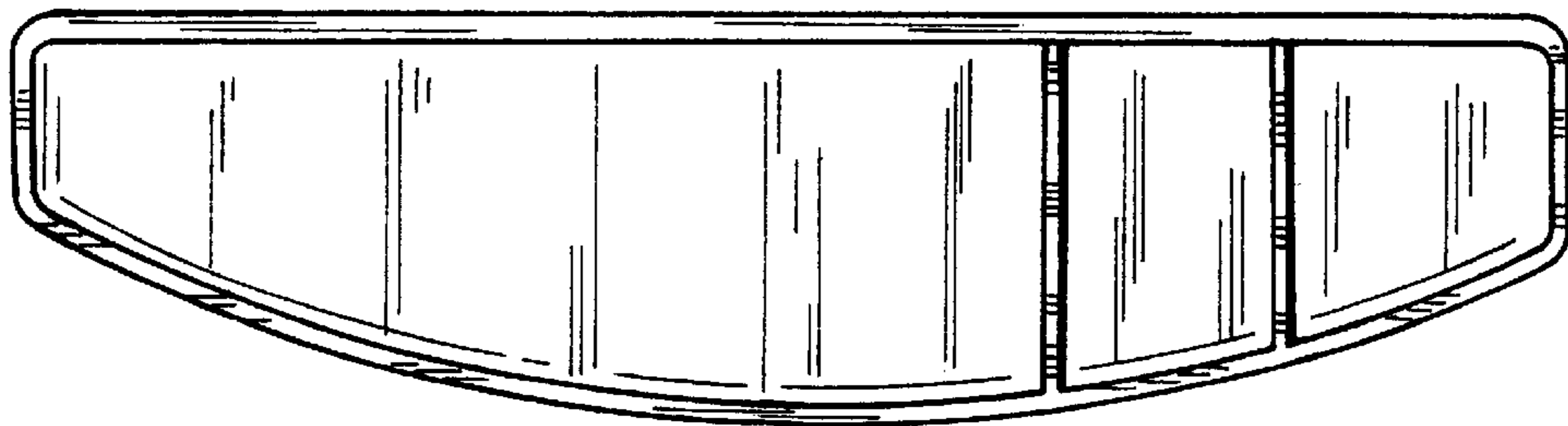
**FIG. 2**



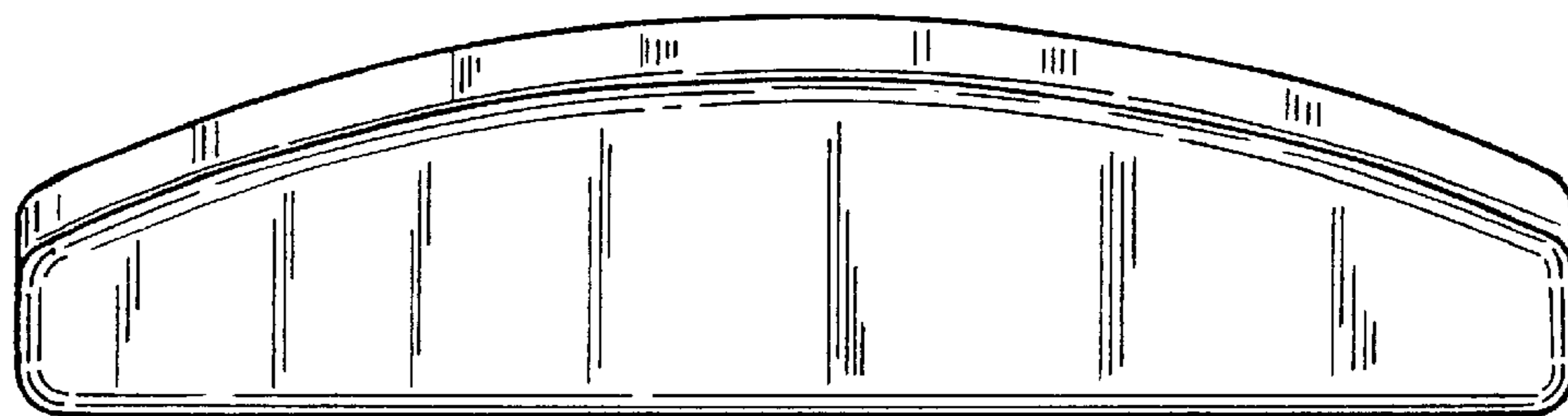
**FIG. 3**



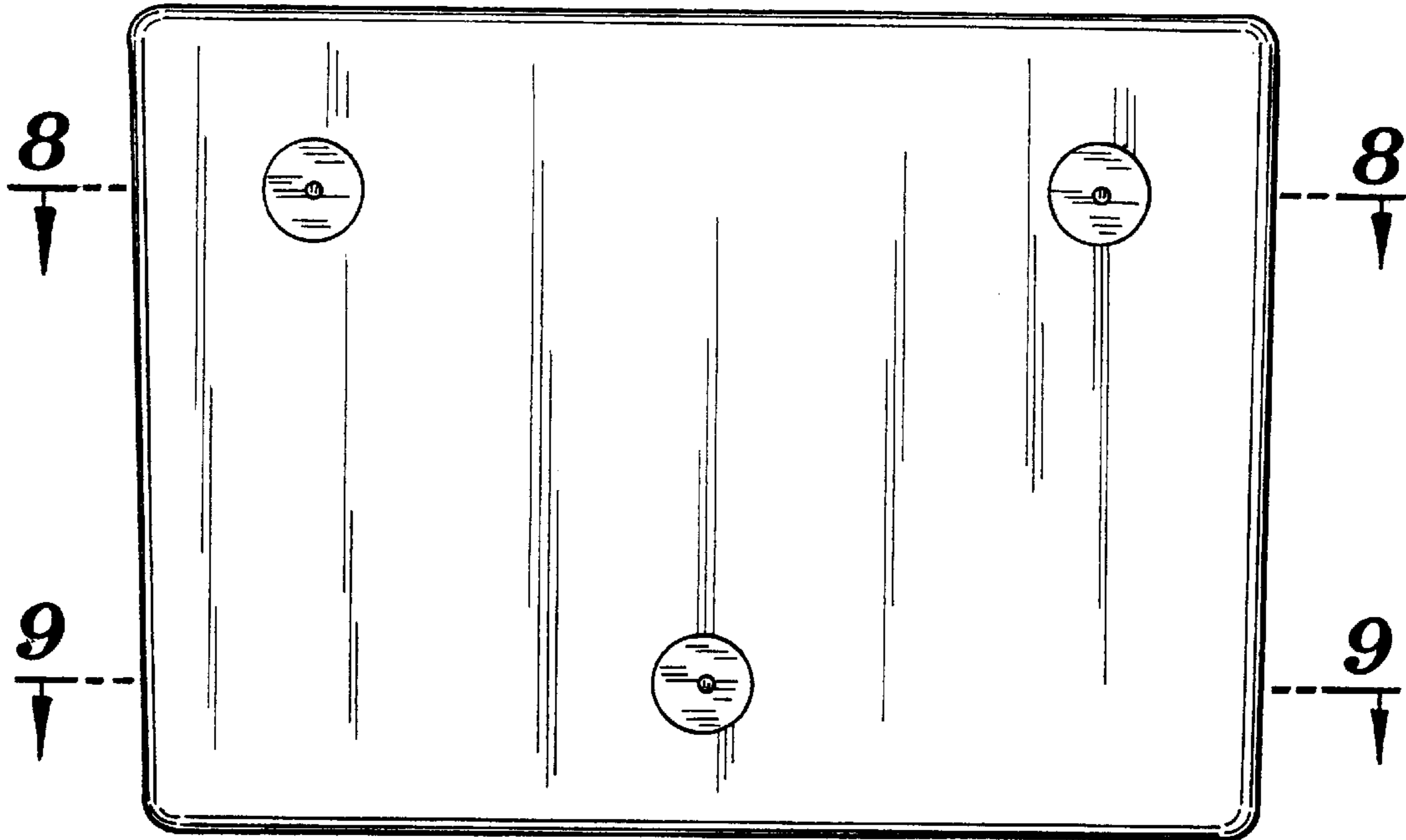
**FIG. 4**



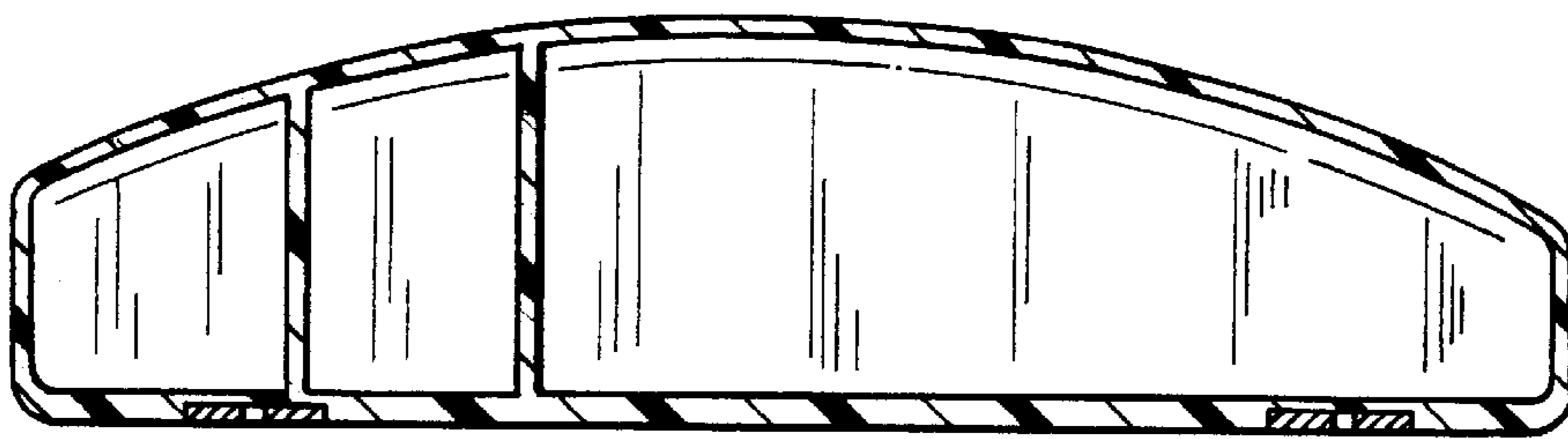
**FIG. 5**



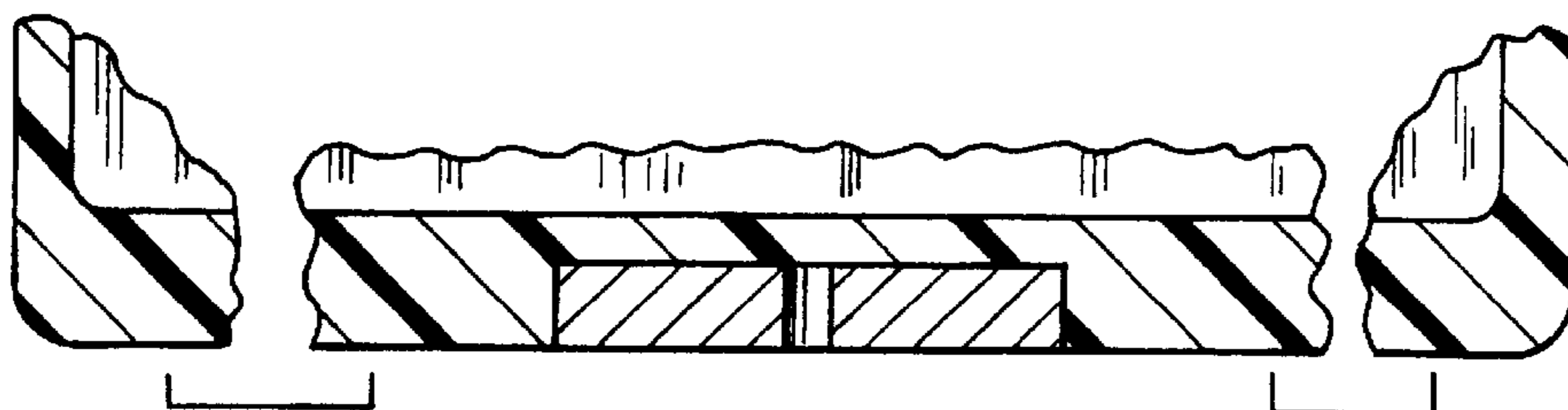
**FIG. 6**



**FIG. 7**



**FIG. 8**



**FIG. 9**