



US00D535841S

(12) **United States Design Patent**  
**Egger**

(10) **Patent No.:** **US D535,841 S**

(45) **Date of Patent:** **\*\* Jan. 30, 2007**

(54) **CHAIR FRAME**

(75) Inventor: **Julien Egger**, Santa Monica, CA (US)

(73) Assignee: **True Seating Concepts, LLC** (MU)

(\*\*) Term: **14 Years**

(21) Appl. No.: **29/243,770**

(22) Filed: **Dec. 1, 2005**

(51) **LOC (8) Cl.** ..... **06-06**

(52) **U.S. Cl.** ..... **D6/501**

(58) **Field of Classification Search** ..... D6/334-336,  
D6/366, 371-376, 379, 380, 492, 500-502;  
297/295, 411.2, 411.29, 445.1, 446.1, 452.18  
See application file for complete search history.

(56) **References Cited**

**U.S. PATENT DOCUMENTS**

2,241,115	A	*	5/1941	Burke	.....	297/295
D132,165	S	*	4/1942	Burke	.....	D6/334
D156,229	S	*	11/1949	Goldberg	.....	D6/373
D225,495	S	*	12/1972	Lamb	.....	D6/372
D274,579	S	*	7/1984	Diffrient	.....	D6/372
D278,195	S	*	4/1985	Tisbo et al.	.....	D6/373
D295,584	S	*	5/1988	Conn	.....	D6/365
D295,586	S	*	5/1988	Conn	.....	D6/373

D301,810	S	*	6/1989	Snodgrass	.....	D6/373
D310,453	S	*	9/1990	Snodgrass	.....	D6/372
D421,684	S	*	3/2000	Saul	.....	D6/373
D427,796	S	*	7/2000	Smith	.....	D6/500

\* cited by examiner

*Primary Examiner*—Mimosa De

(74) *Attorney, Agent, or Firm*—Morland C. Fischer

(57) **CLAIM**

The ornamental design for a chair frame, as shown and described.

**DESCRIPTION**

FIG. 1 is a perspective view showing the top, sides and front of a chair frame which forms my new design, the broken lines in this and other figures showing other parts of the chair being for illustrative purposes only and forming no part of my design;

FIG. 2 is a top plan view thereof;

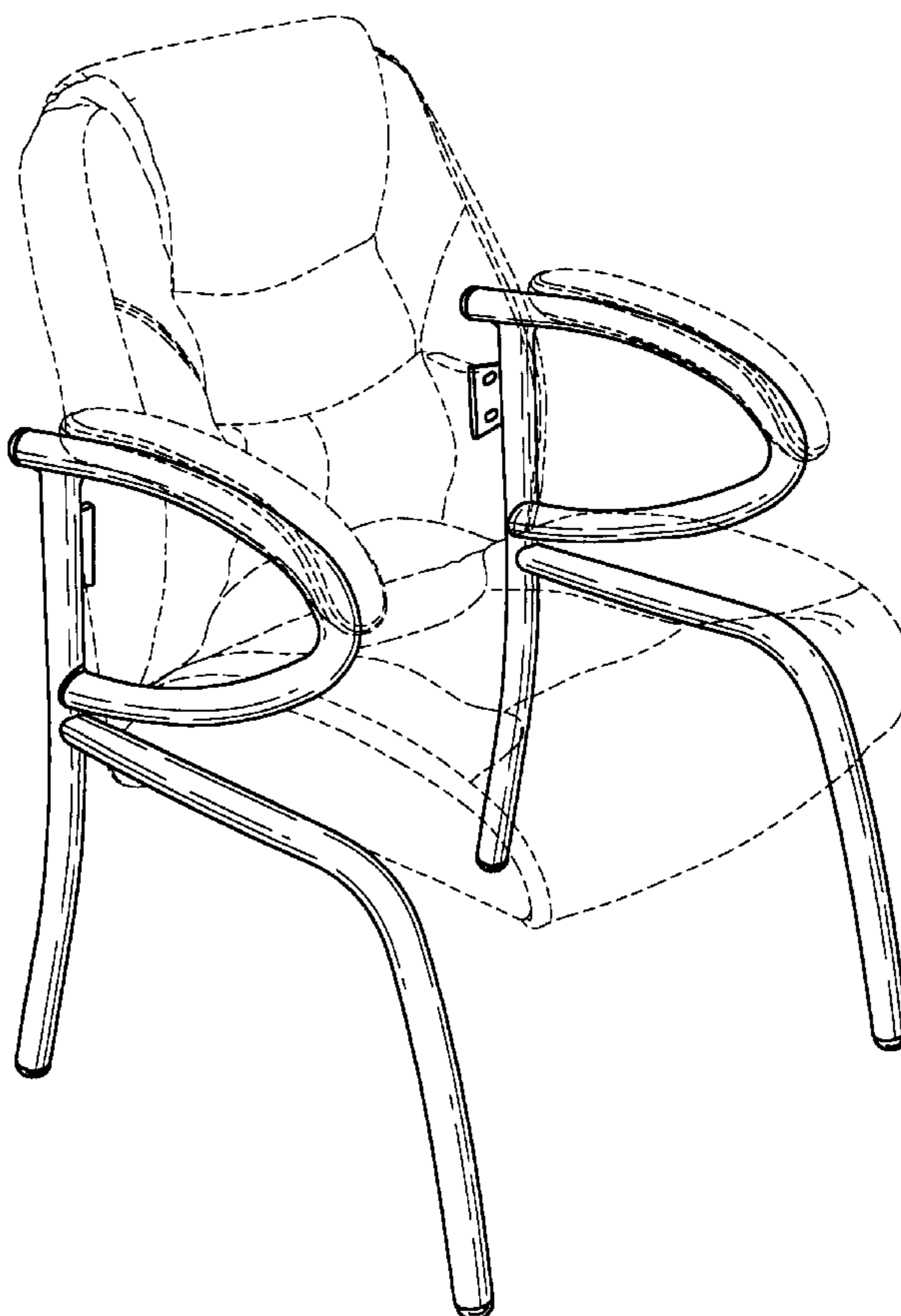
FIG. 3 is a rear elevational view thereof;

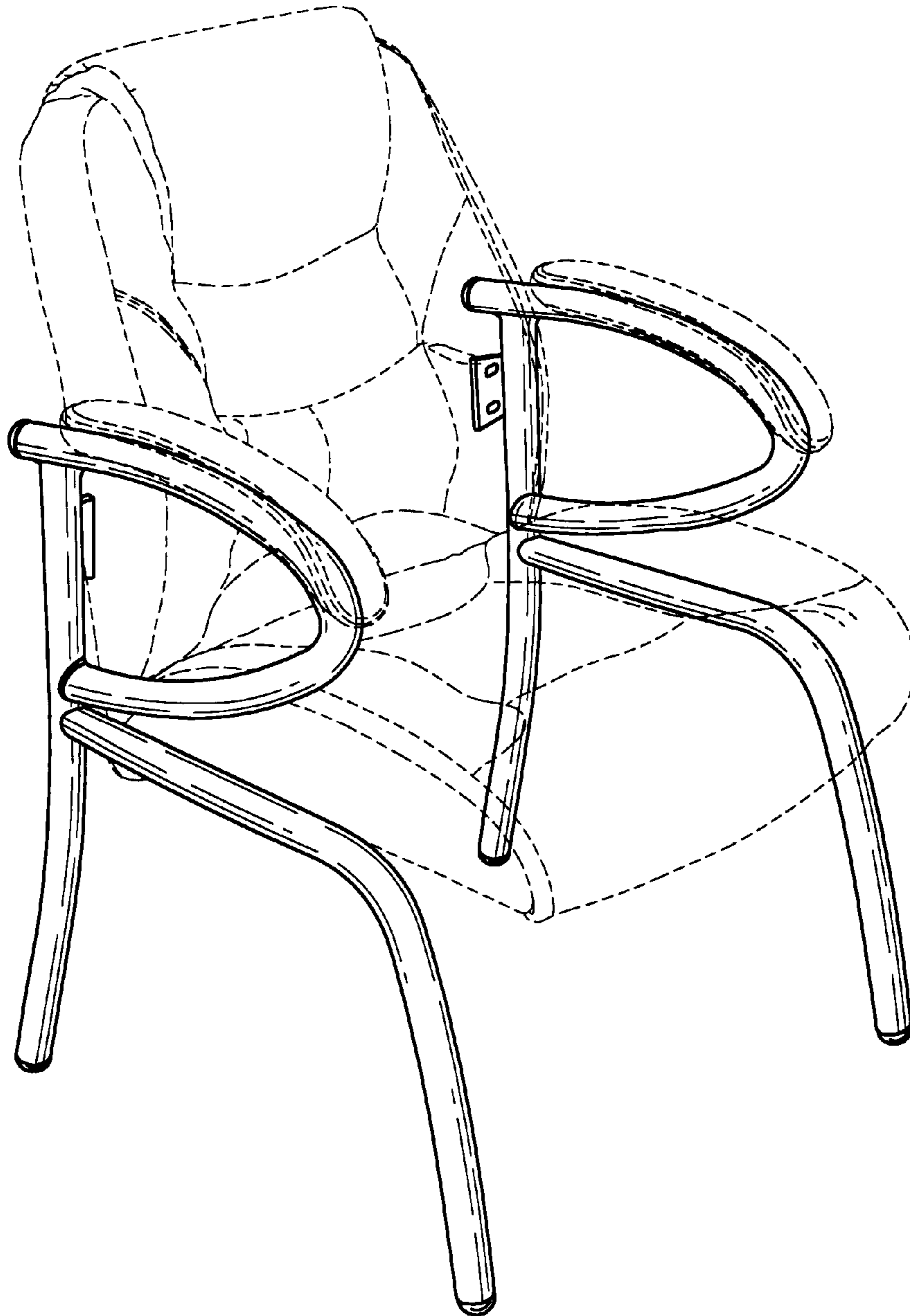
FIG. 4 is a left side elevational view thereof, this side and the opposite right side elevational view being mirror images;

FIG. 5 is a front elevational view thereof; and,

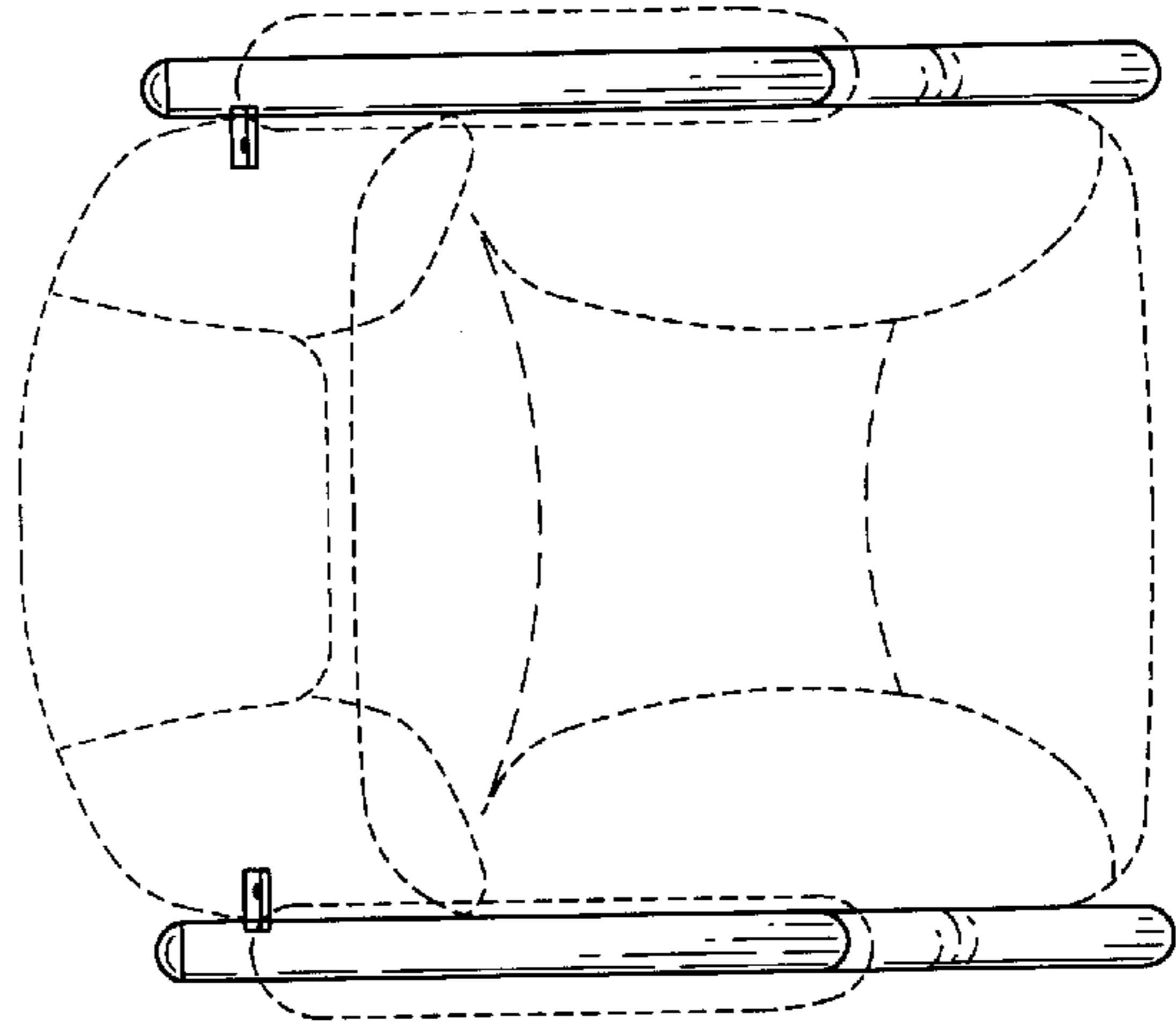
FIG. 6 is a bottom plan view thereof.

**1 Claim, 3 Drawing Sheets**

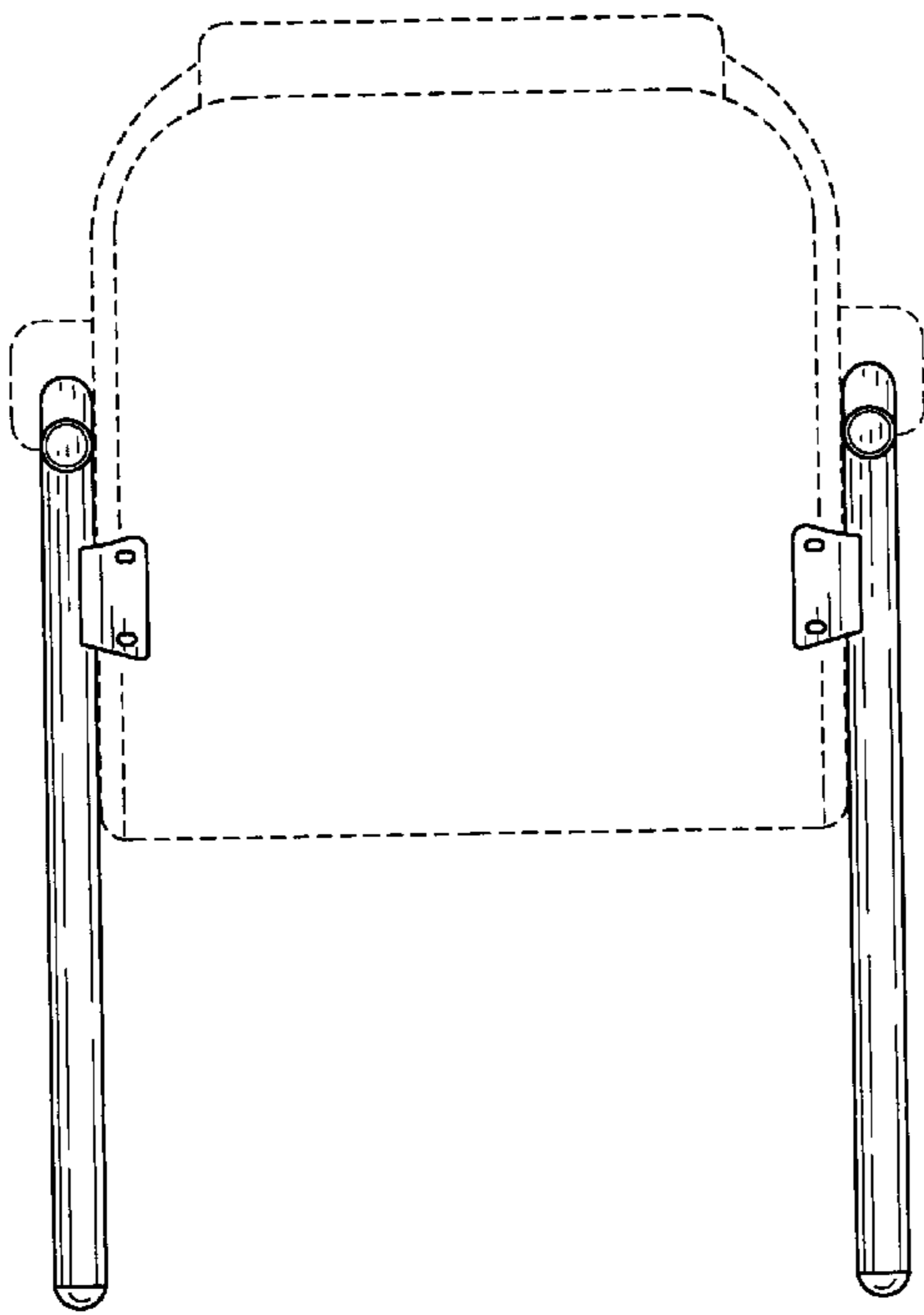




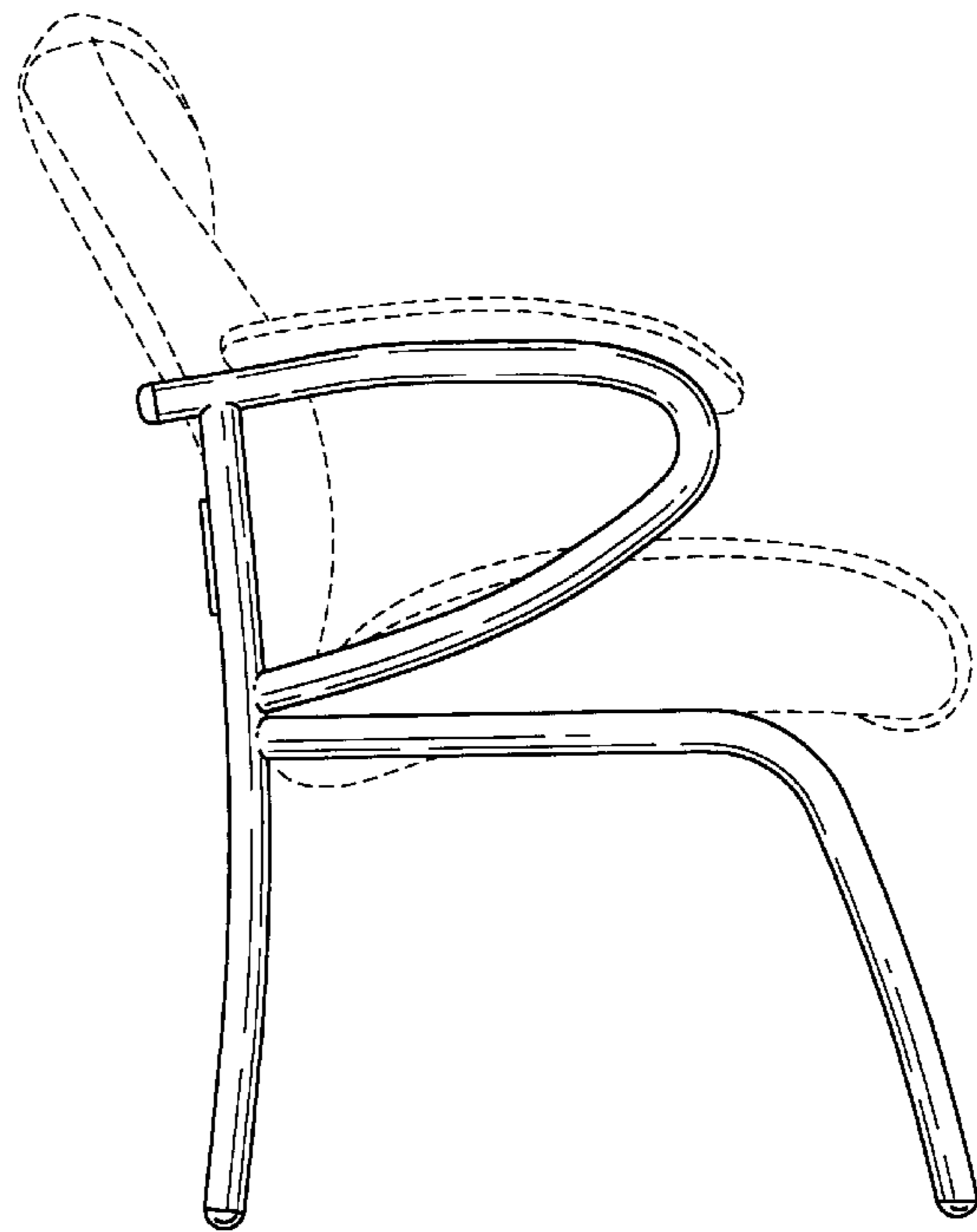
*Fig. 1*



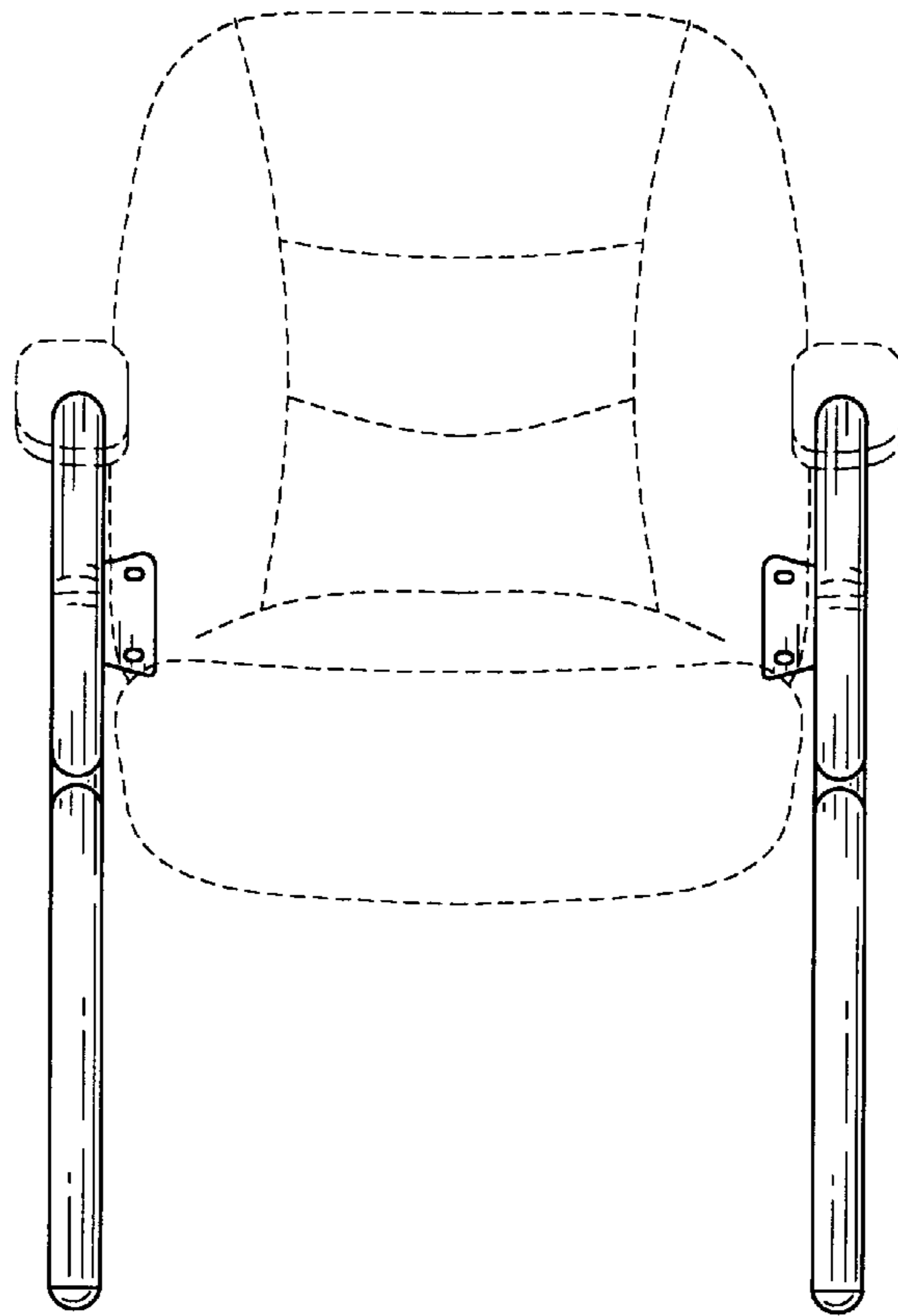
*Fig. 2*



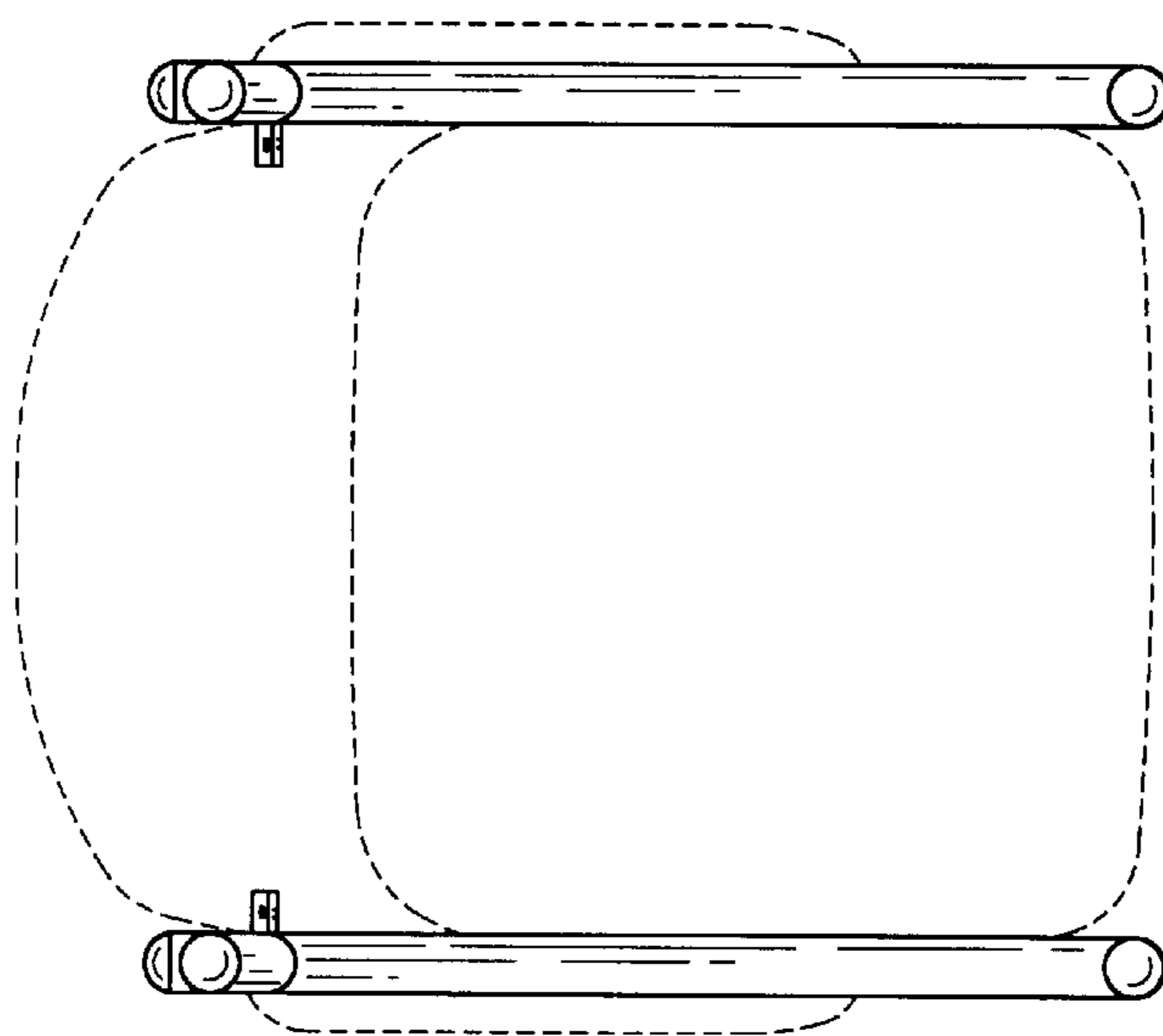
*Fig. 3*



*Fig. 4*



*Fig. 5*



*Fig. 6*