



US00D535839S

(12) **United States Design Patent**
Johnson

(10) **Patent No.:** **US D535,839 S**

(45) **Date of Patent:** **** Jan. 30, 2007**

(54) **SEAT AND BACK REST FOR A CHAIR**

D518,319 S * 4/2006 True D6/500

(75) Inventor: **Scott Johnson**, Los Angeles, CA (US)

* cited by examiner

(73) Assignee: **True Seating Concepts, LLC** (MU)

Primary Examiner—Mimosa De

(**) Term: **14 Years**

(74) *Attorney, Agent, or Firm*—Morland C. Fischer

(21) Appl. No.: **29/253,994**

(22) Filed: **Feb. 16, 2006**

(57) **CLAIM**

The ornamental design for a seat and back rest for a chair, as shown and described.

(51) **LOC (8) Cl.** **06-01**

(52) **U.S. Cl.** **D6/500; D6/366**

(58) **Field of Classification Search** D6/334–335,
D6/356, 364, 365, 366, 367, 368, 374, 500–502;
297/452.21, 452.26, 452.29, 452.32, 452.35,
297/452.37, 452.48

DESCRIPTION

See application file for complete search history.

FIG. 1 is a perspective view showing the top, left side and front of a seat and back rest for a chair which forms my new design, the broken lines in this and of other figures showing other parts of the chair being for illustrative purposes only and forming no part of my design;

FIG. 2 is a left side elevational view thereof;

FIG. 3 is a right side elevational view thereof;

FIG. 4 is a rear elevational view thereof;

FIG. 5 is a top plan view thereof; and,

FIG. 6 is a front elevational view thereof.

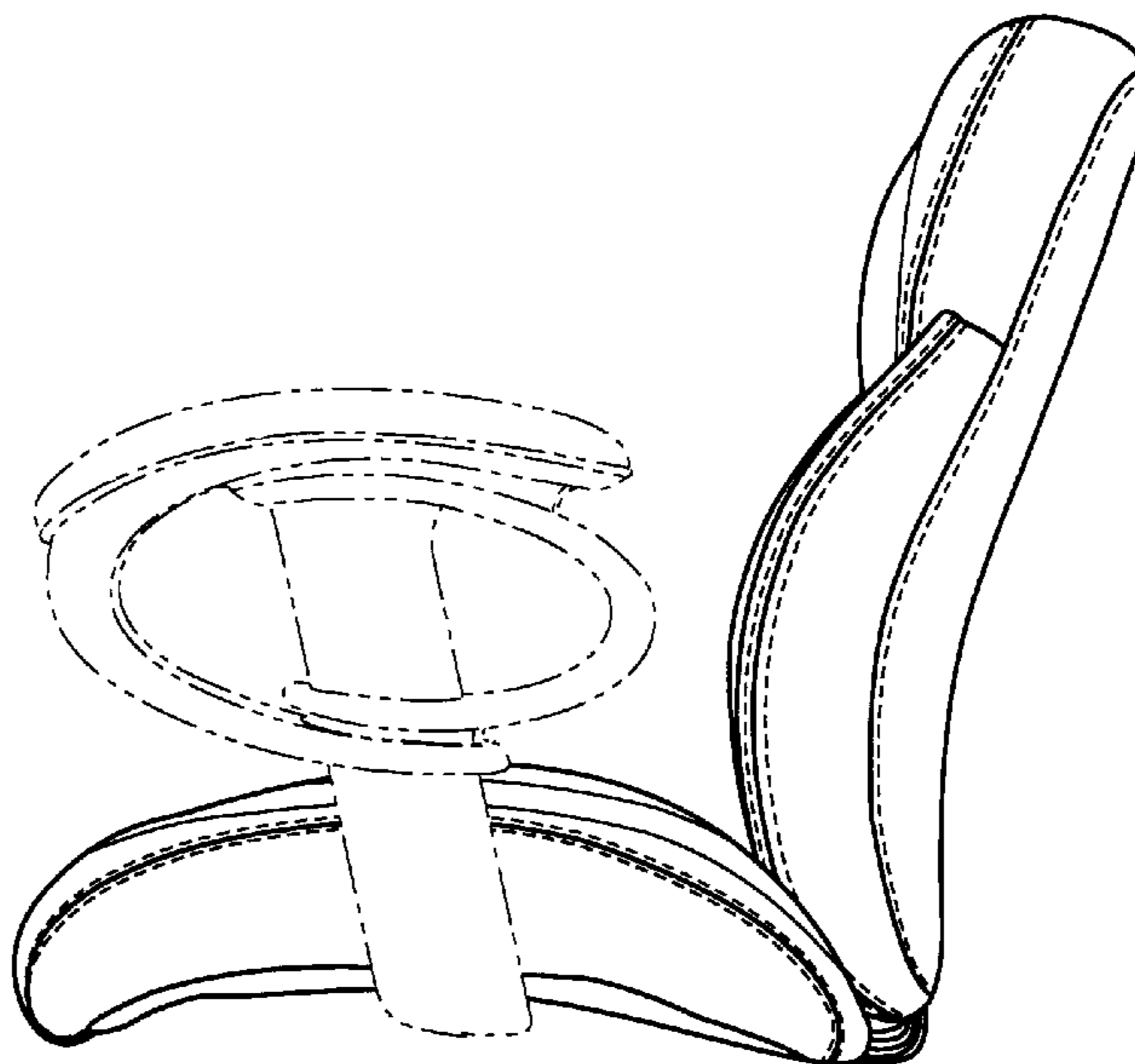
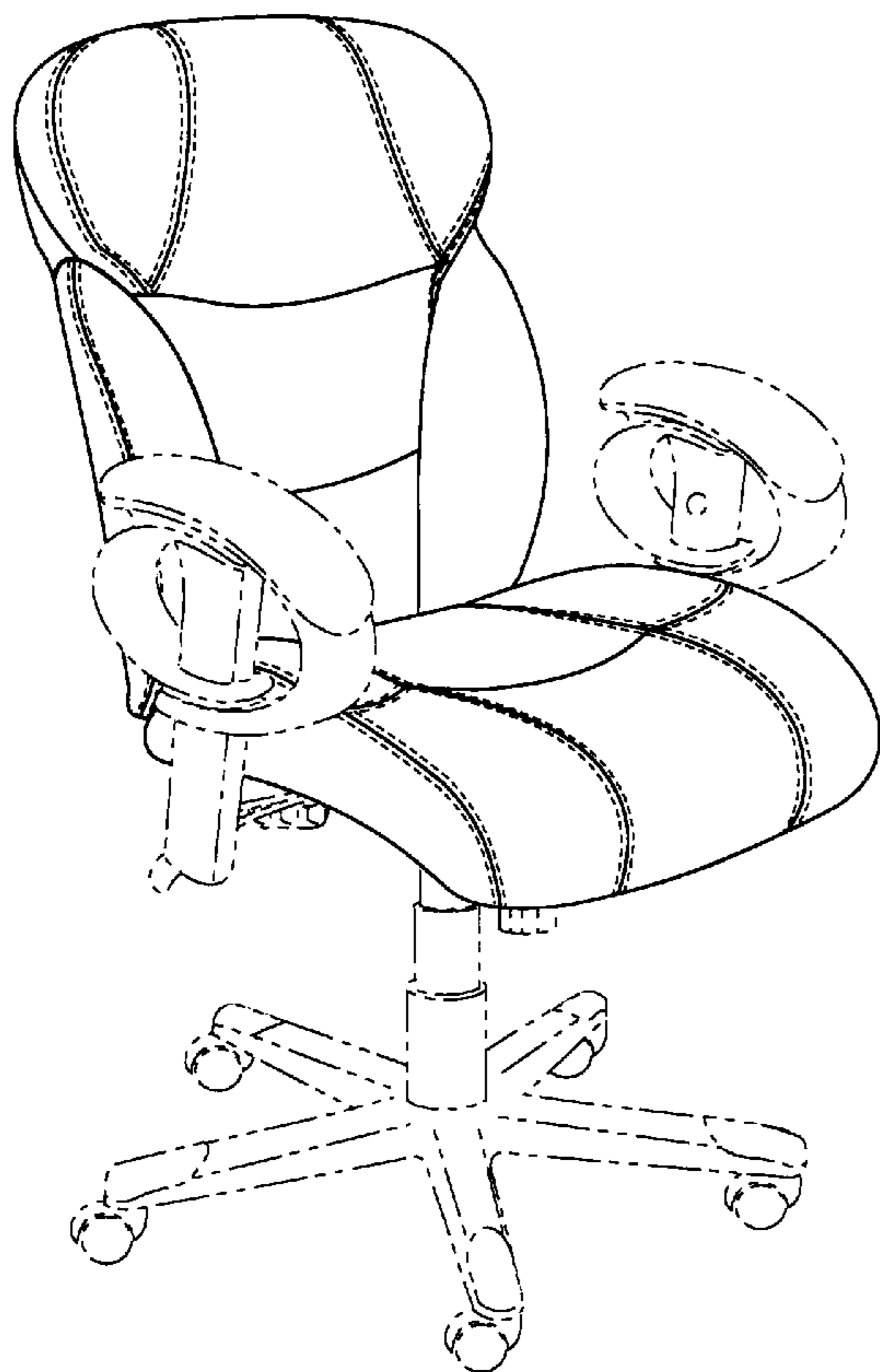
The short, broken lines on the chair in FIGS. 1–6 are understood to represent stitching.

(56) **References Cited**

U.S. PATENT DOCUMENTS

D491,398 S	*	6/2004	True	D6/500
D494,391 S	*	8/2004	True	D6/500
D494,788 S	*	8/2004	True	D6/500
D508,352 S	*	8/2005	True	D6/500
D511,260 S	*	11/2005	True	D6/366

1 Claim, 6 Drawing Sheets



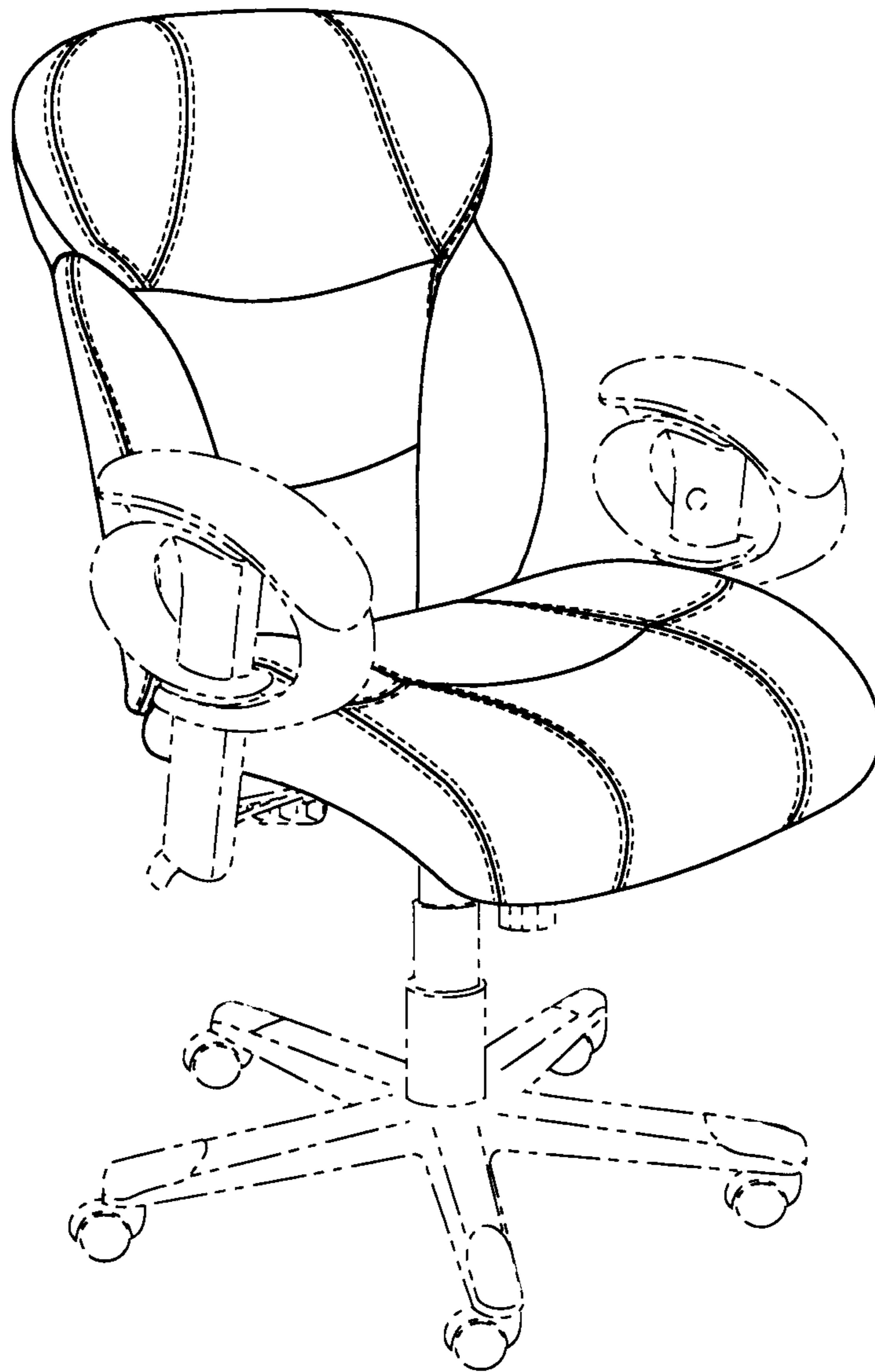


FIG. 1

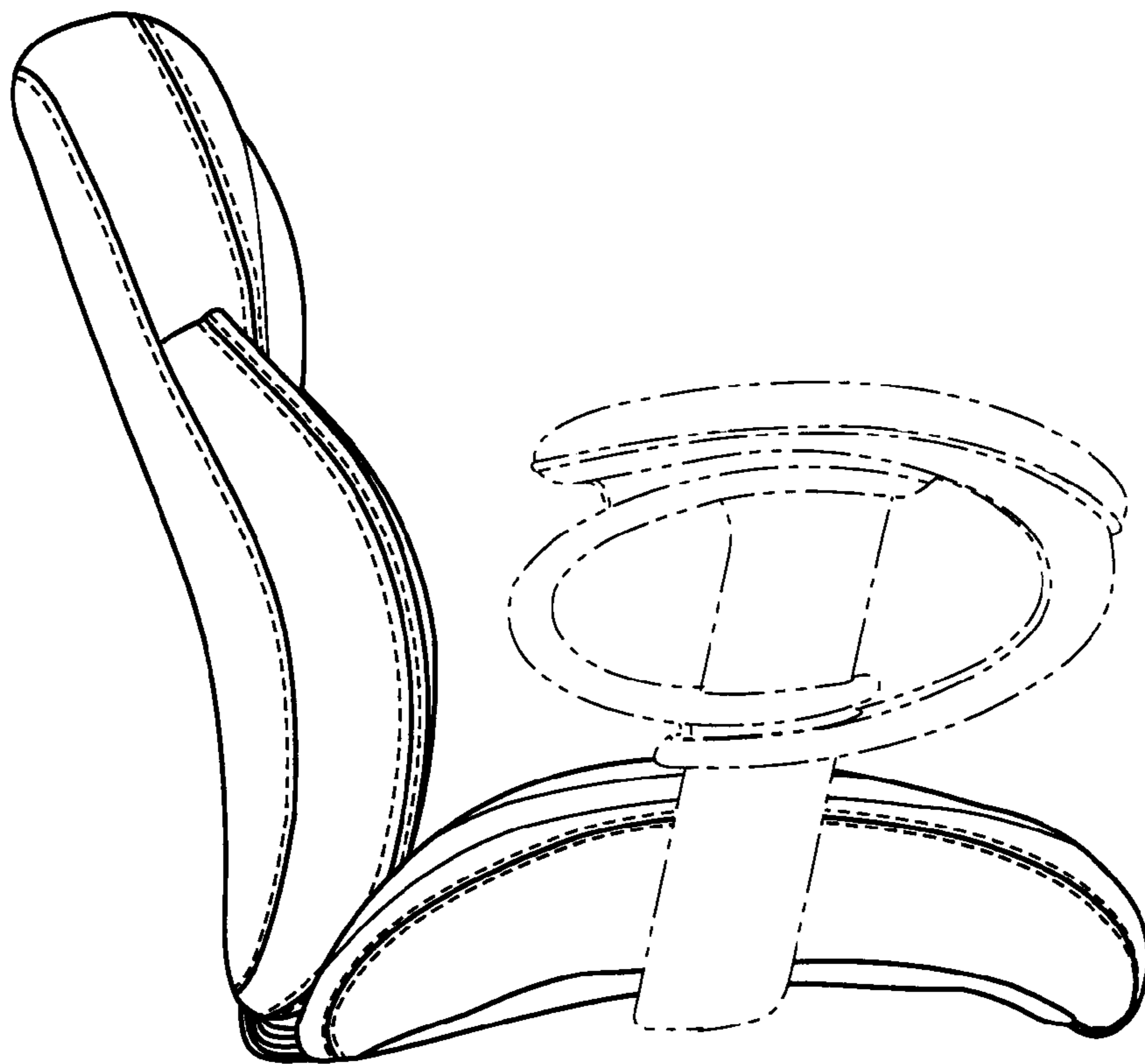


FIG. 2

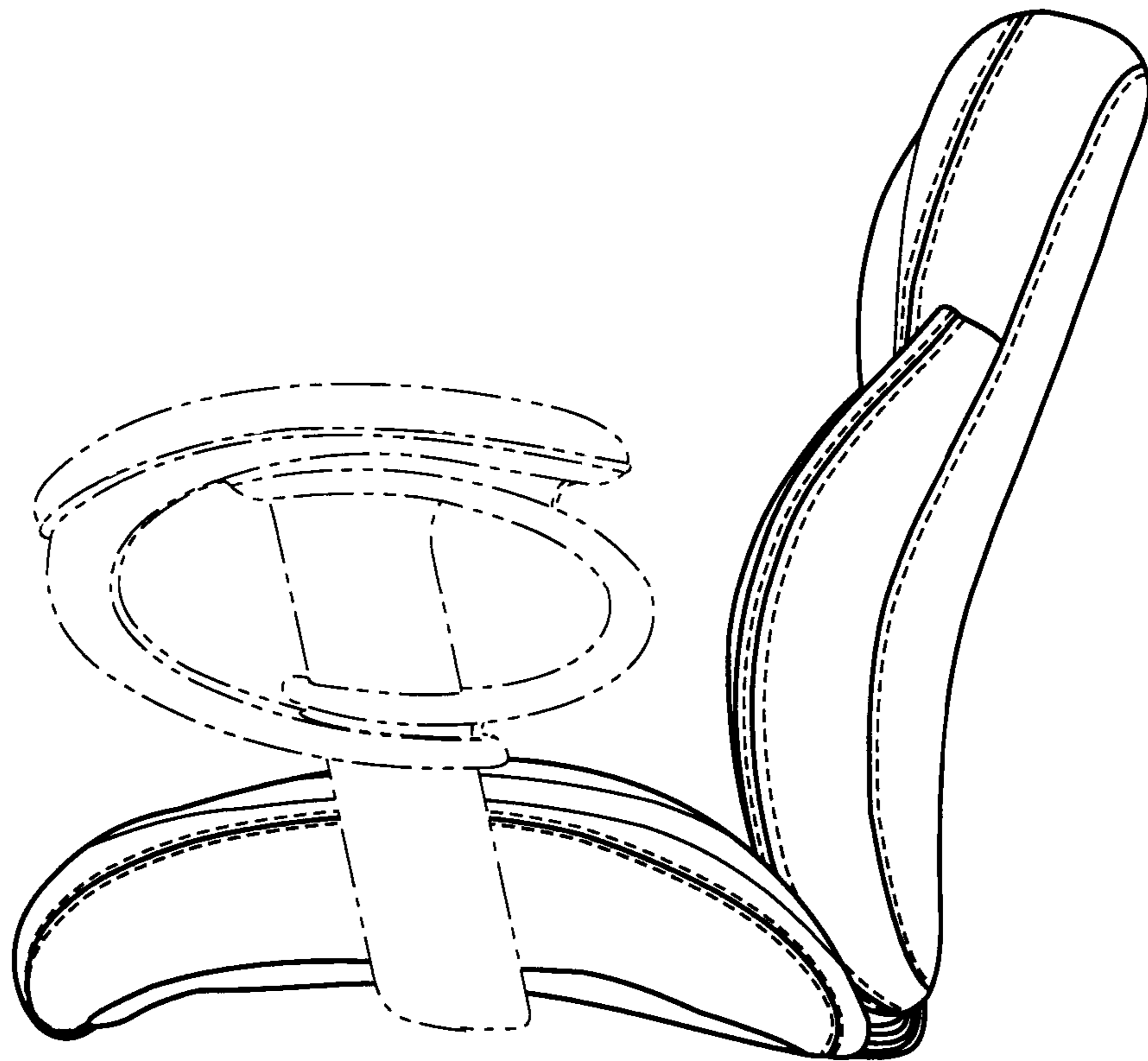


FIG. 3

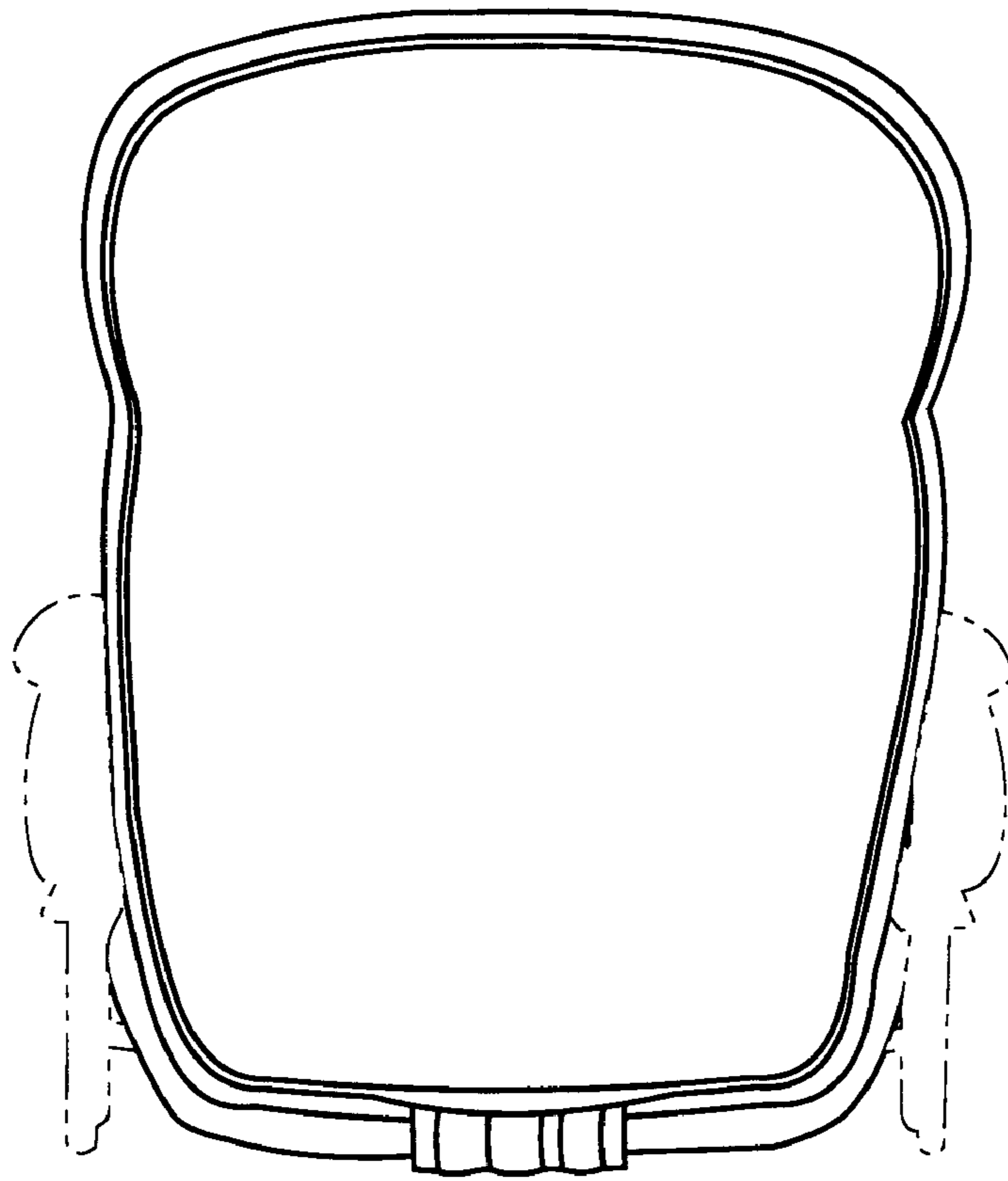


FIG. 4

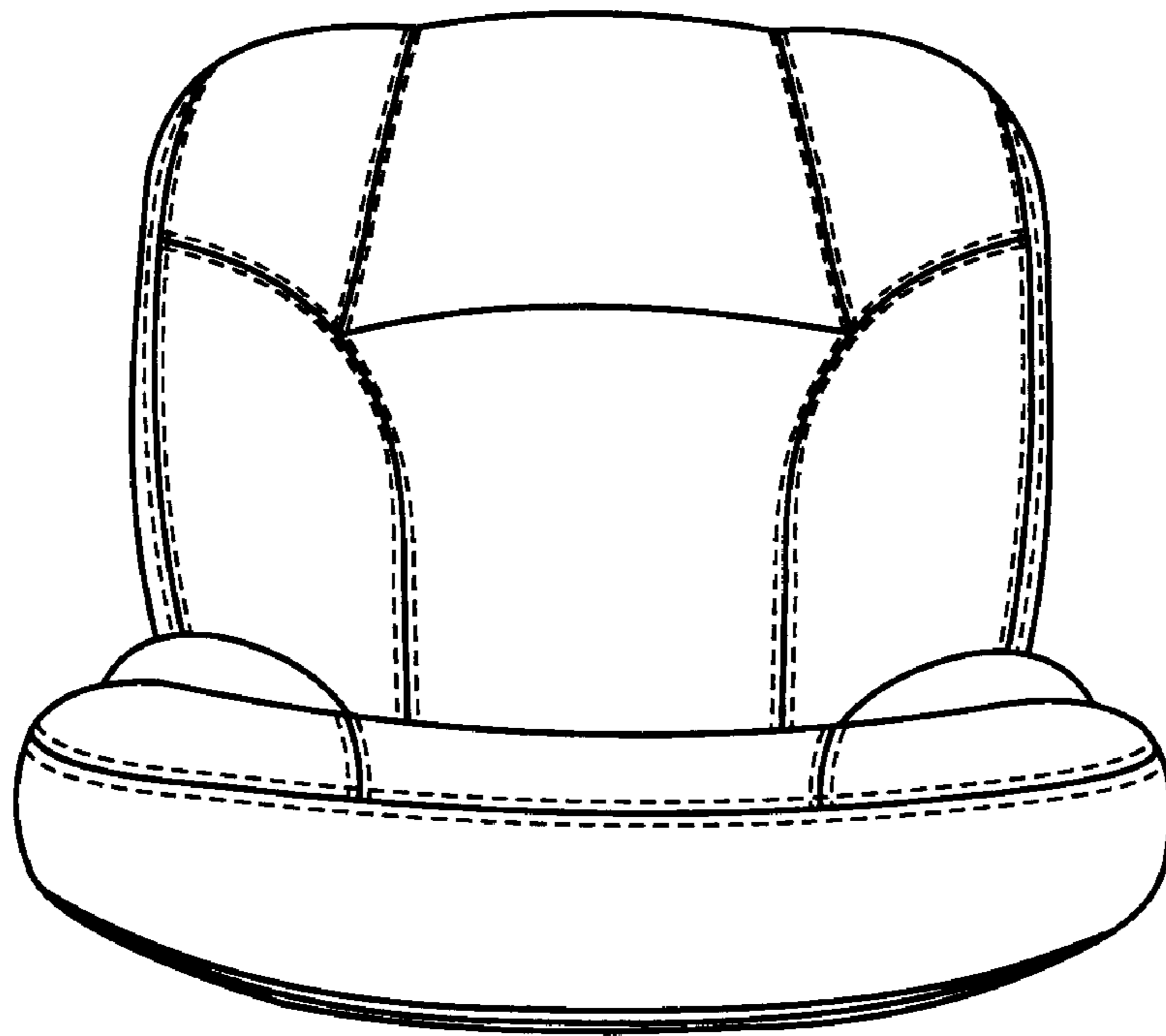


FIG. 5

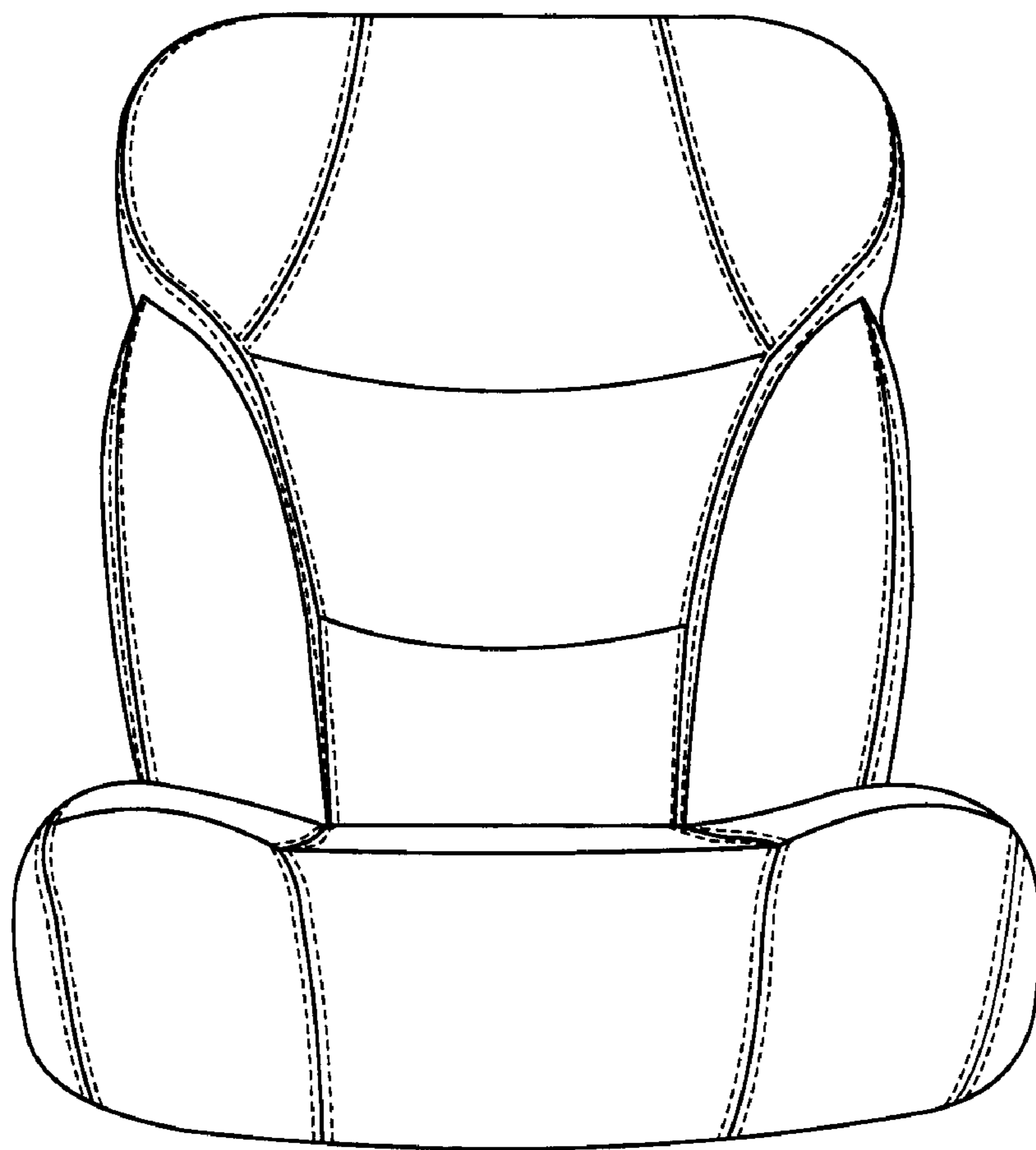


FIG. 6