



US00D535838S

(12) **United States Design Patent**
Ritch et al.

(10) **Patent No.:** **US D535,838 S**

(45) **Date of Patent:** **** Jan. 30, 2007**

(54) **SEATING UNIT**

(75) Inventors: **David J. Ritch**, Malibu, CA (US);
Mark B. Saffell, Manhattan Beach, CA
(US)

(73) Assignee: **Steelcase Development Corporation**,
Caledonia, MI (US)

(**) Term: **14 Years**

(21) Appl. No.: **29/205,494**

(22) Filed: **May 14, 2004**

(51) **LOC (8) Cl.** **06-06**

(52) **U.S. Cl.** **D6/500; D6/366**

(58) **Field of Classification Search** D6/334-336,
D6/366, 367, 368, 374, 375, 376, 379, 380,
D6/500-502; 297/239, 445.1, 446.1, 353,
297/354.1, 301.1, 313, 451.1

See application file for complete search history.

(56) **References Cited**

U.S. PATENT DOCUMENTS

1,737 A * 8/1840 King 297/313
3,361,472 A * 1/1968 Hassbrouck 297/313
D386,320 S * 11/1997 King D6/368

D411,928 S * 7/1999 Ritch et al. D6/500
6,030,037 A * 2/2000 Ritch et al. 297/239
6,196,632 B1 * 3/2001 De Lucchi et al. 297/451.1
D443,991 S * 6/2001 Picotti D6/366
D526,145 S * 8/2006 Kita D6/500

* cited by examiner

Primary Examiner—Mimosa De

(74) *Attorney, Agent, or Firm*—Price, Heneveld, Cooper,
DeWitt, & Litton LLP

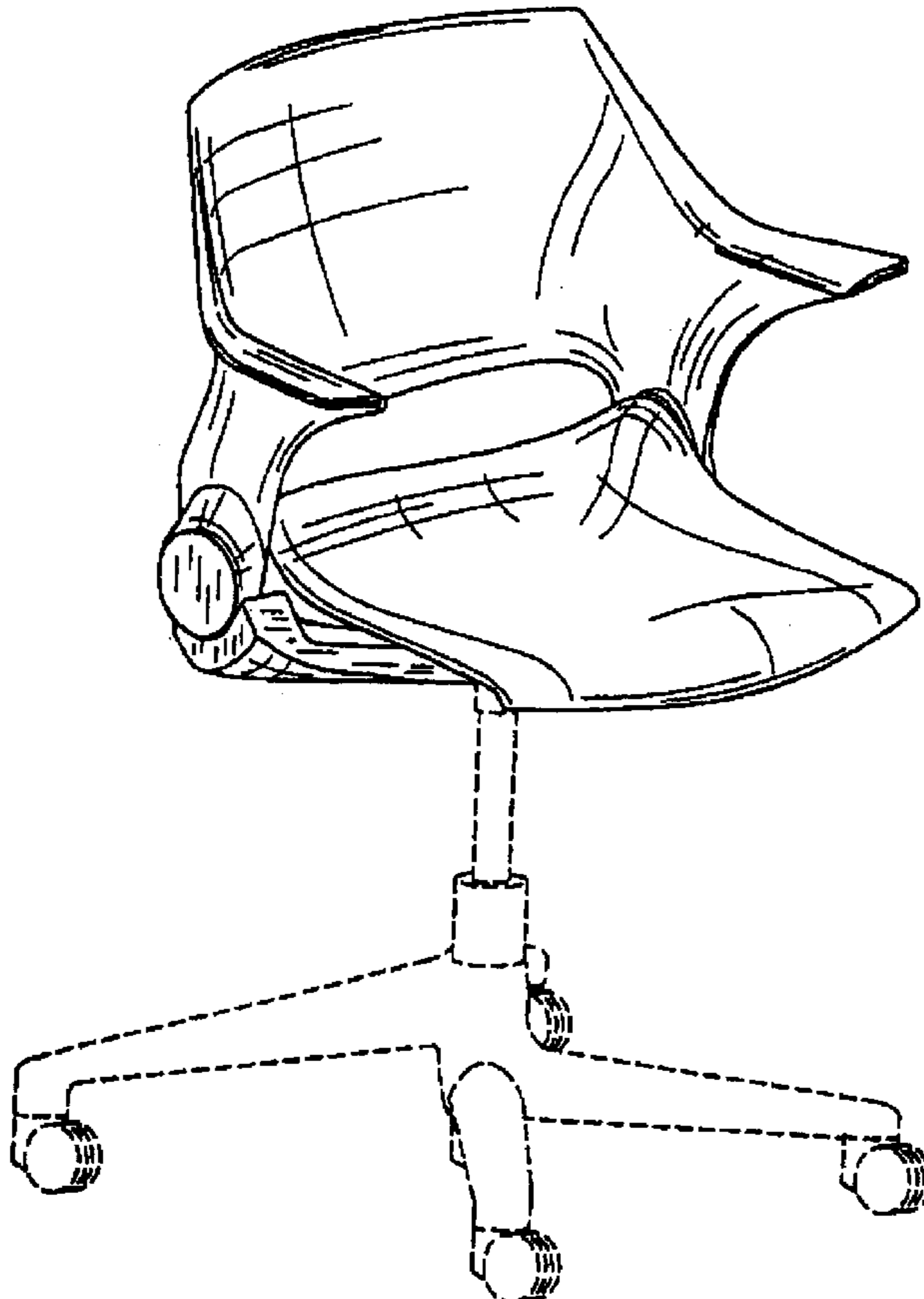
(57) **CLAIM**

We claim the ornamental design for a seating unit, as shown
and described.

DESCRIPTION

FIG. 1 is a perspective view of a seating unit embodying the
present invention;
FIG. 2 is a right side view of FIG. 1, the left side being a
mirror image of the right side;
FIG. 3 is a front view of FIG. 1;
FIG. 4 is a rear view of FIG. 1;
FIG. 5 is a top view of FIG. 1; and,
FIG. 6 is a bottom view of FIG. 1.
The dashed lines in FIGS. 1-6 are for environment only, and
do not form a part of the present invention.

1 Claim, 4 Drawing Sheets



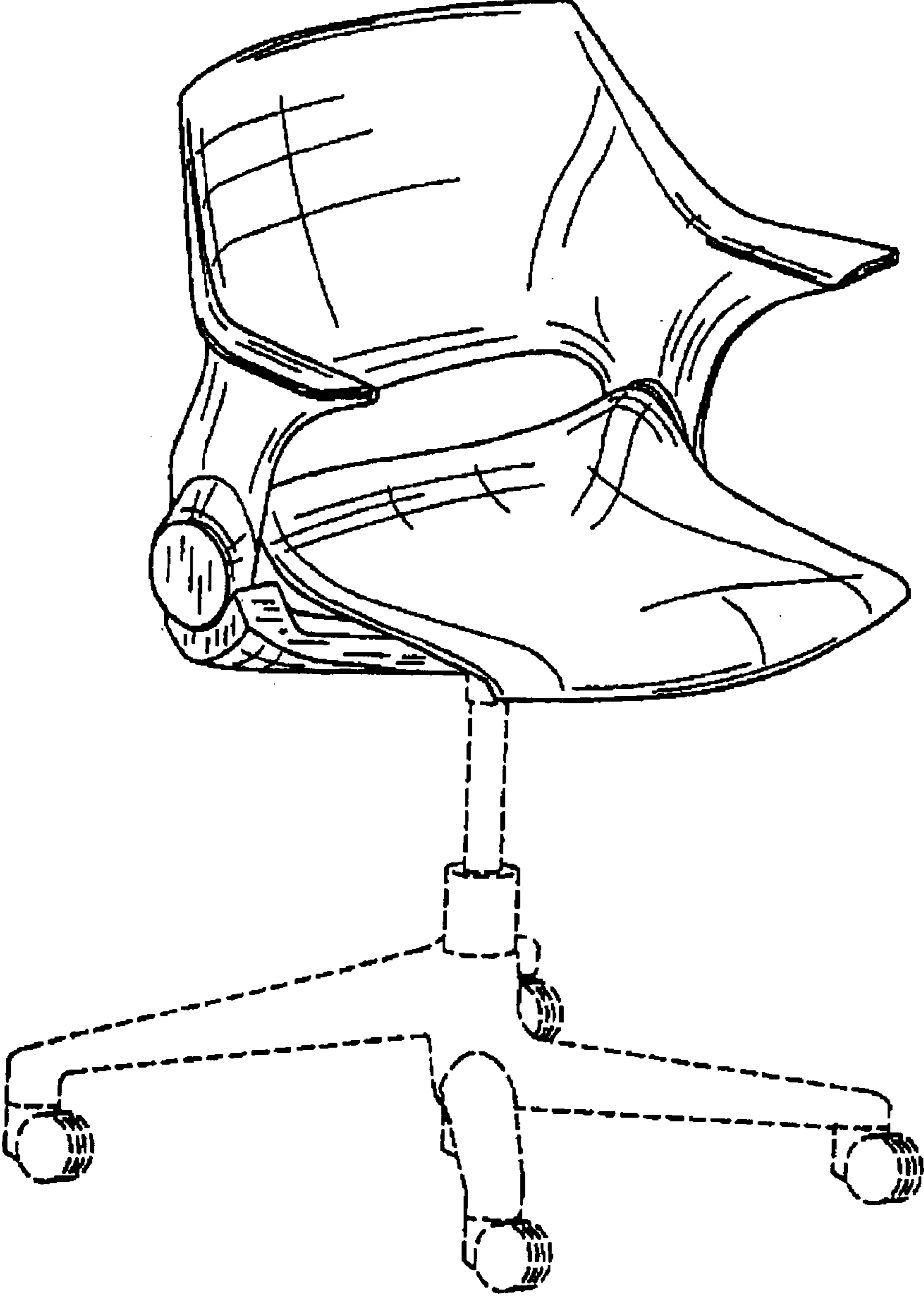


FIG. 1

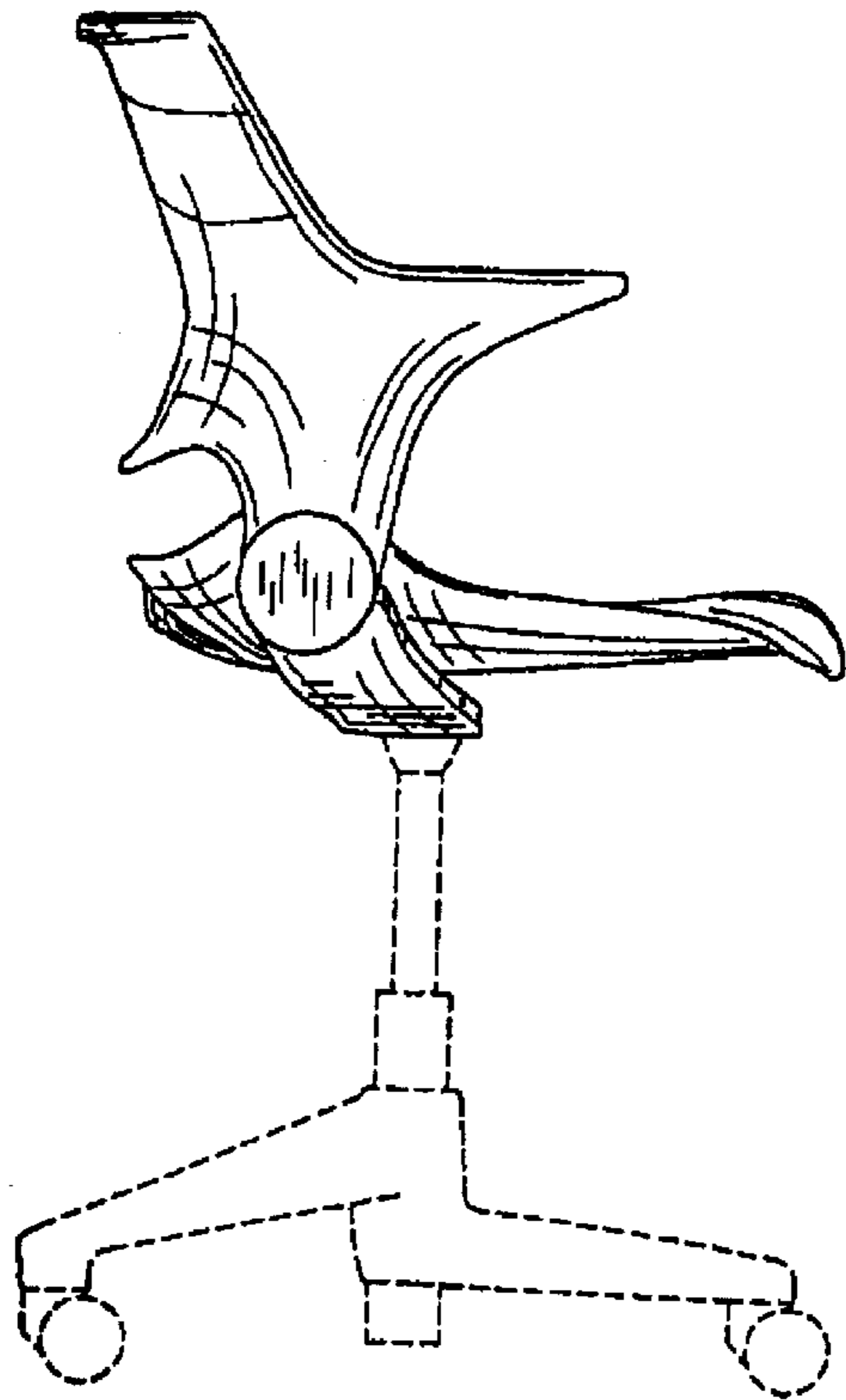


FIG. 2

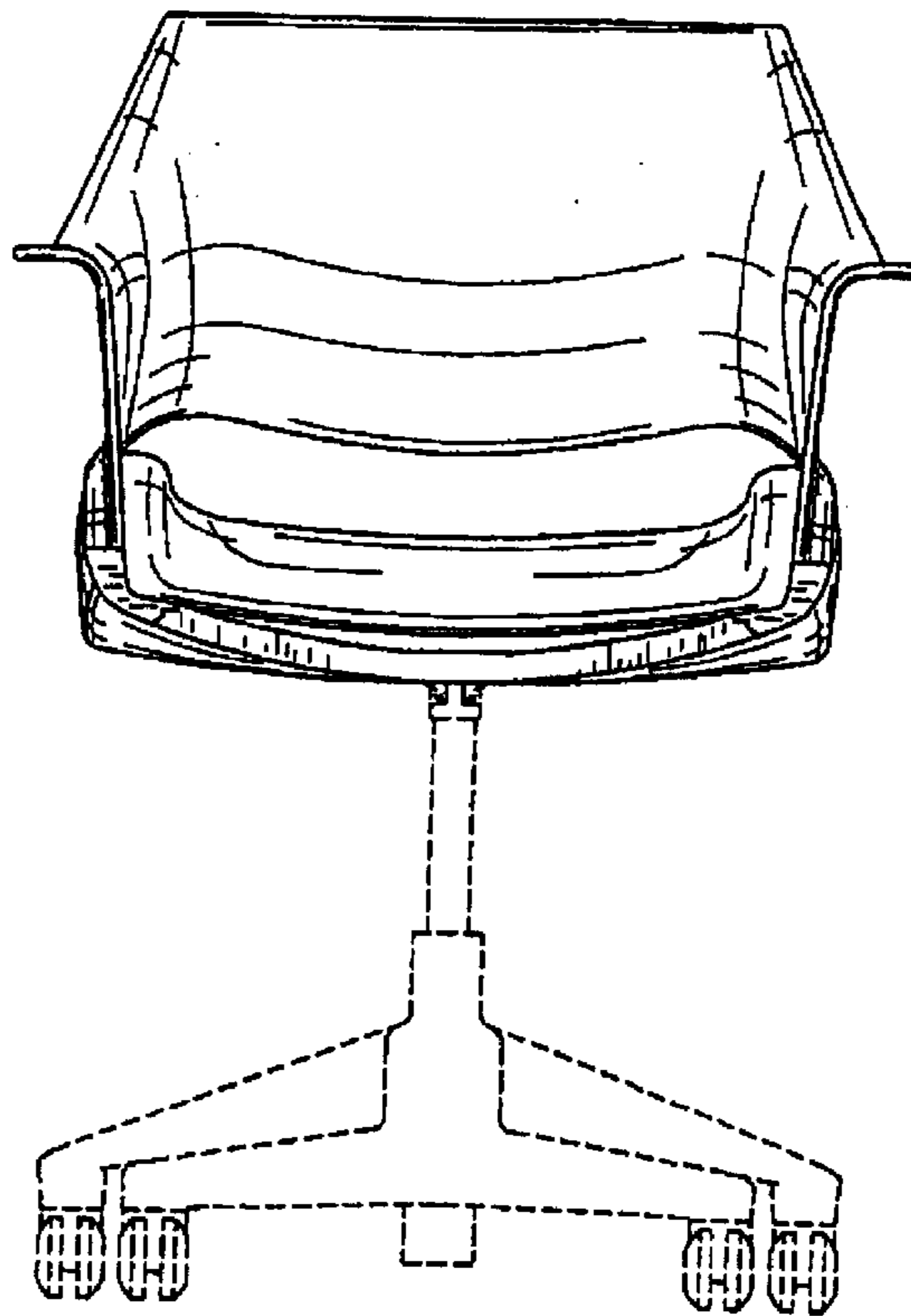


FIG. 3

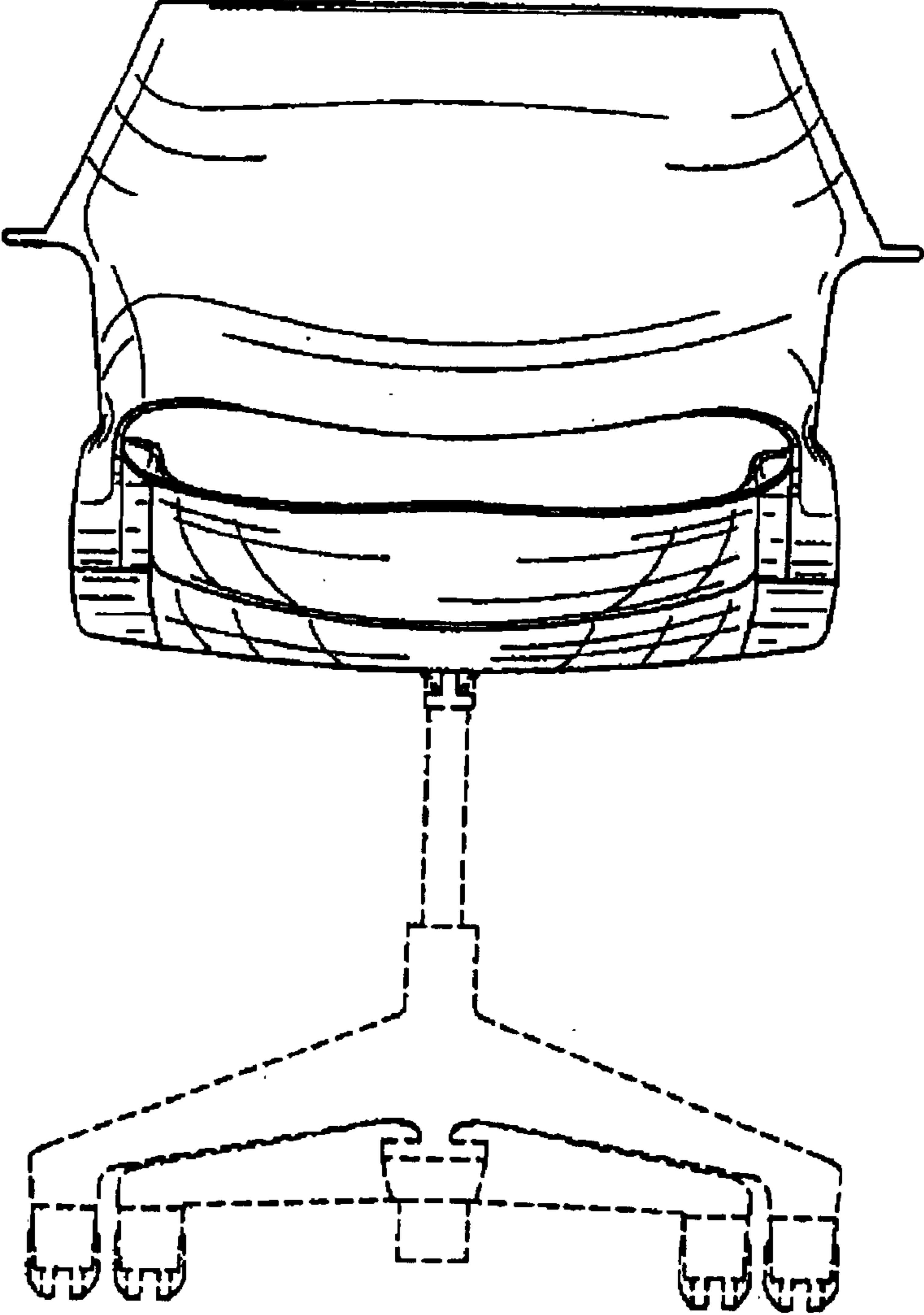


FIG. 4

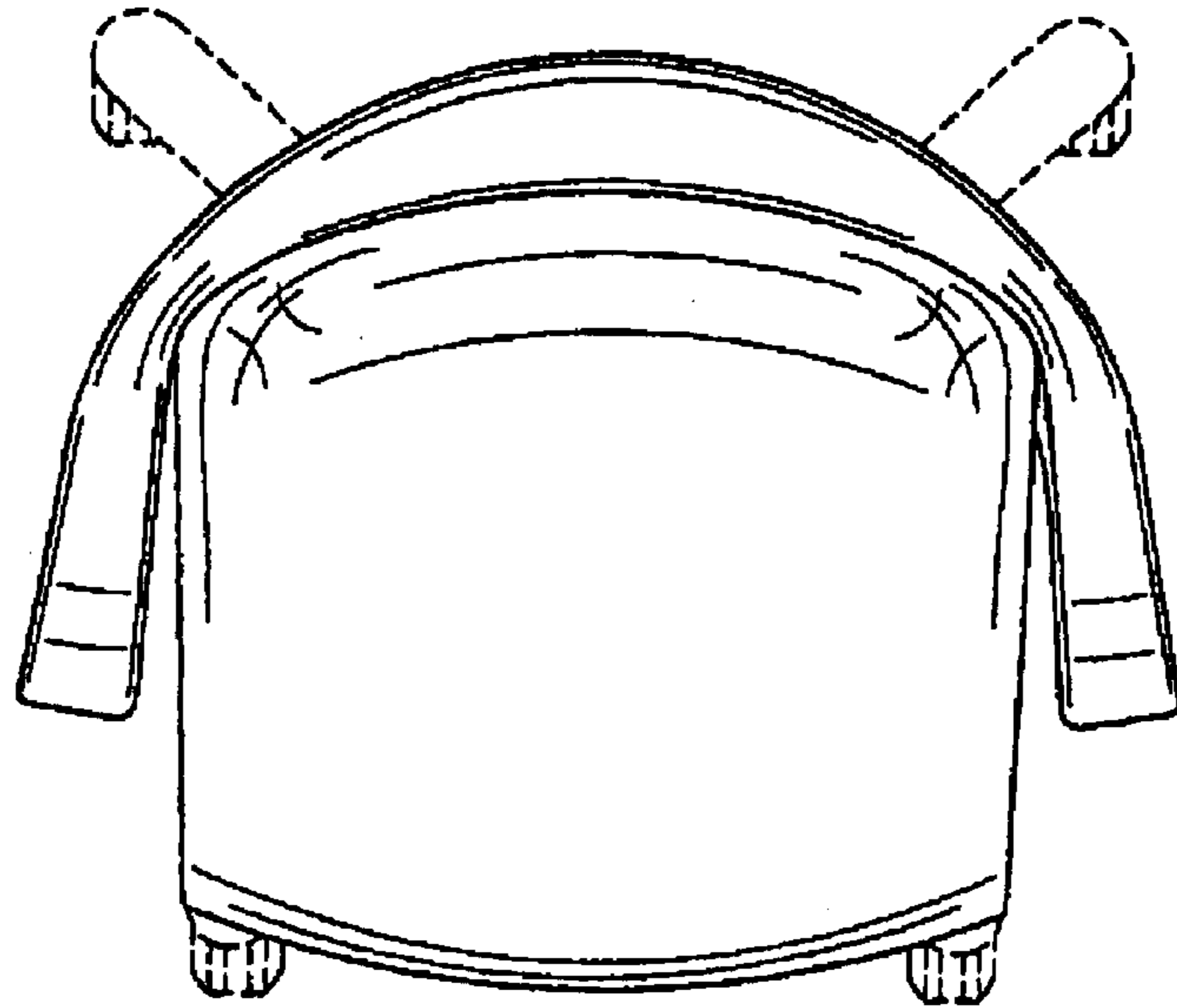


FIG. 5

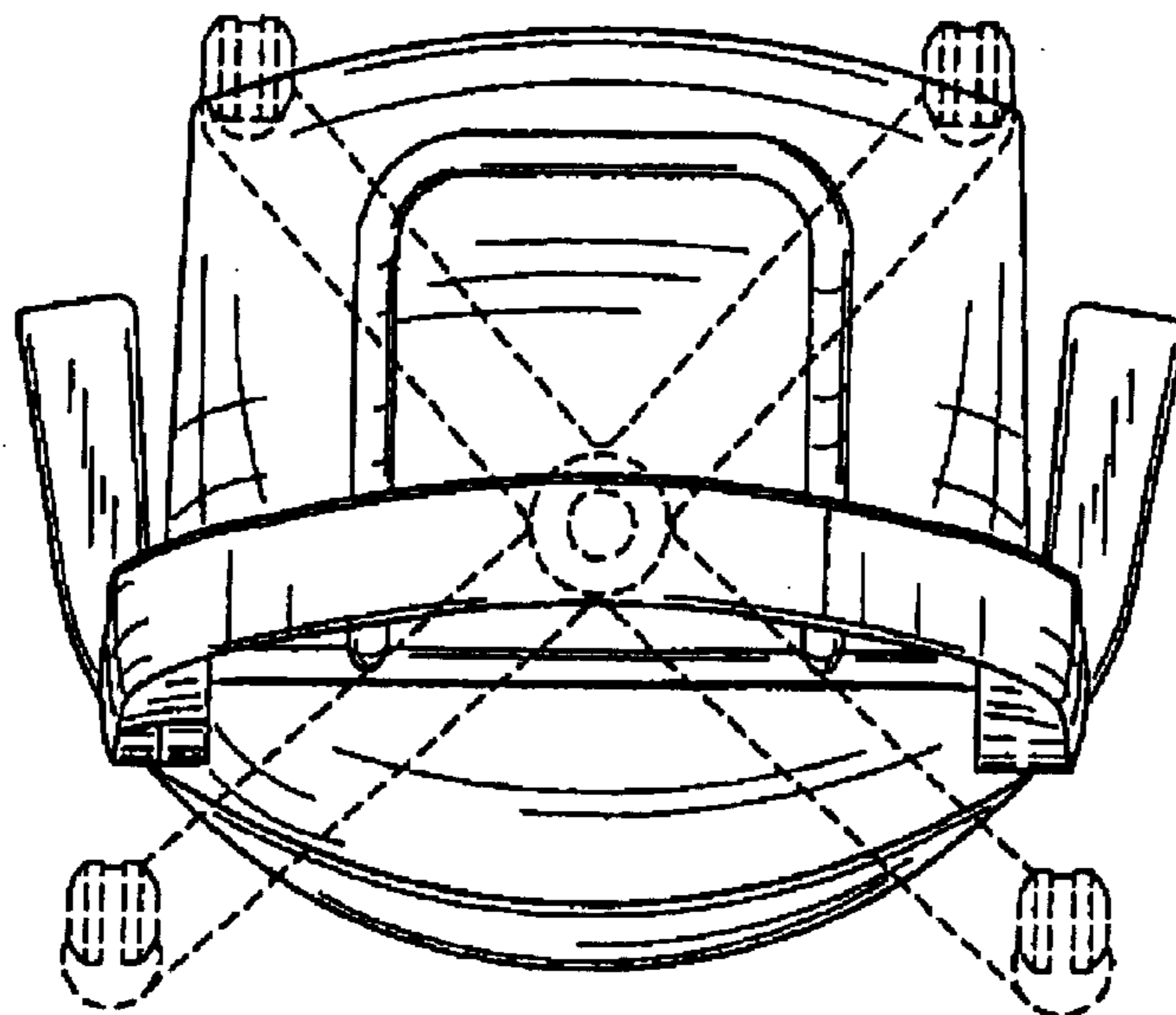


FIG. 6