

US00D535837S

(12) **United States Design Patent**
Lowsky

(10) **Patent No.:** **US D535,837 S**

(45) **Date of Patent:** **** Jan. 30, 2007**

(54) **TABLE**

(75) **Inventor:** **Jamie Lowsky**, 2800 Island Blvd., Apt.,
405, Aventura, FL (US) 33160

(73) **Assignee:** **Jamie Lowsky**, Aventura, FL (US)

(**) **Term:** **14 Years**

(21) **Appl. No.:** **29/231,002**

(22) **Filed:** **May 31, 2005**

(51) **LOC (8) Cl.** **06-03**

(52) **U.S. Cl.** **D6/484**

(58) **Field of Classification Search** D6/480-489,
D6/495-499; 108/153.1, 155, 156, 161, 50.01,
108/50.02; 248/188, 188.1, 188.8
See application file for complete search history.

(56) **References Cited**

U.S. PATENT DOCUMENTS

D255,004 S * 5/1980 Thorpe D6/499
D270,591 S * 9/1983 Harper et al. D6/484

D274,965 S * 8/1984 Thorpe D6/484
D374,138 S * 10/1996 Paus D6/484
D432,335 S * 10/2000 Wistehuff, Sr. D6/495
D510,221 S * 10/2005 Lowsky D6/511
D521,278 S * 5/2006 Lowsky D6/488

* cited by examiner

Primary Examiner—Janice E. Seeger

(74) *Attorney, Agent, or Firm*—Akerman Senterfitt; Peter
A. Chiabotti

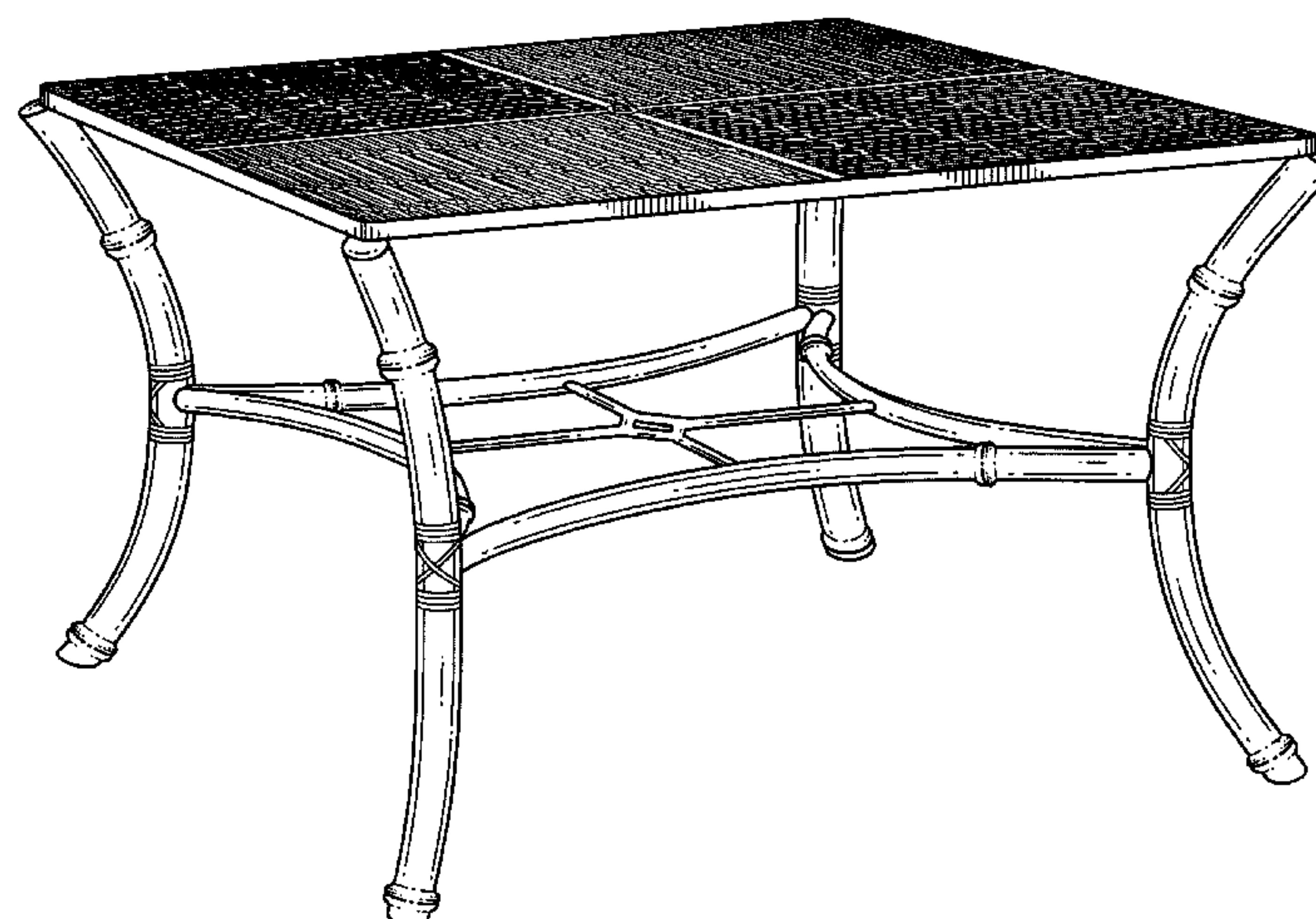
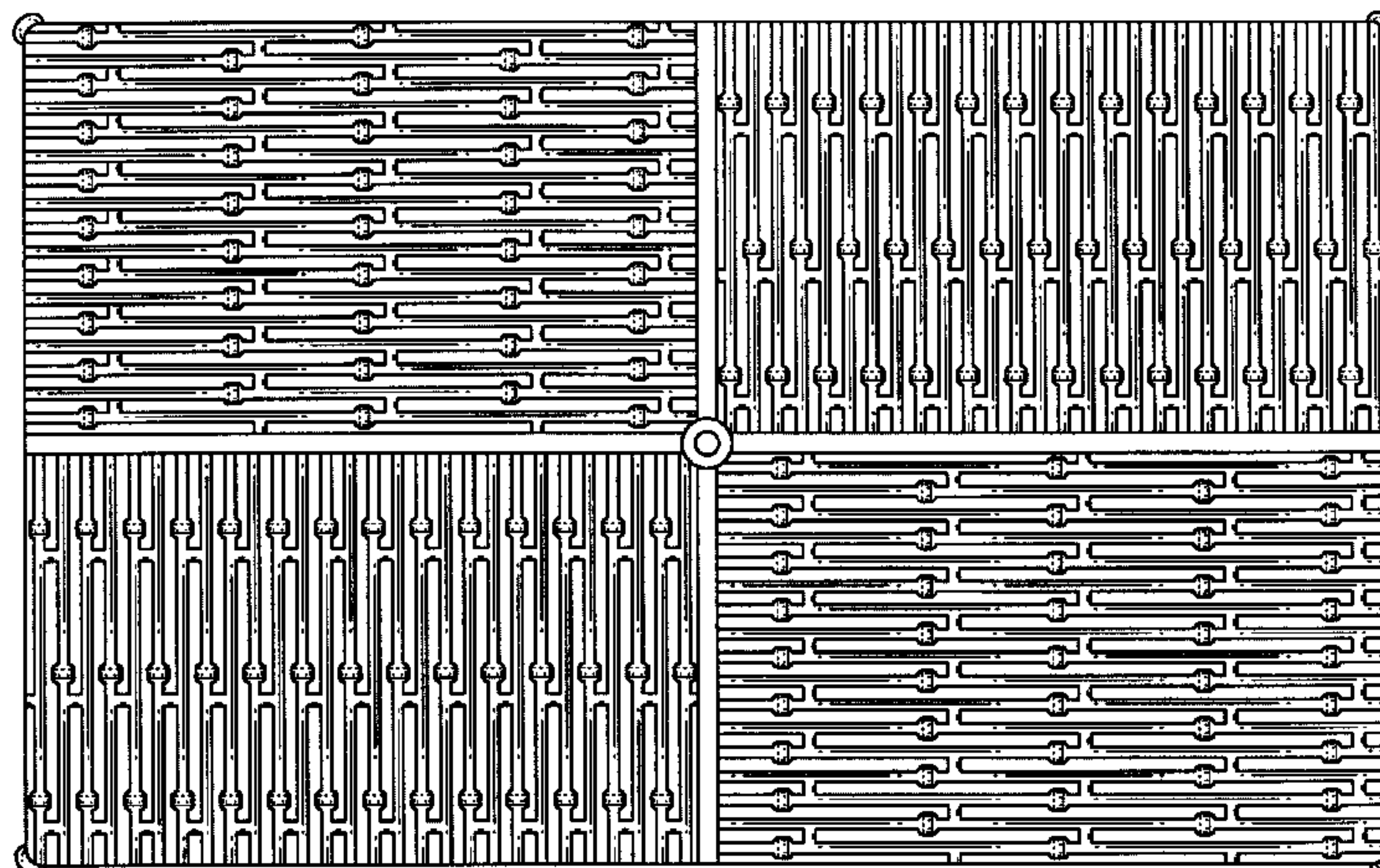
(57) **CLAIM**

The ornamental design for a table, as shown and described.

DESCRIPTION

FIG. 1 is a top elevation view;
FIG. 2 is a front side view;
FIG. 3 is a back side view;
FIG. 4 is a right side view;
FIG. 5 is a left side view;
FIG. 6 is a bottom elevation view; and,
FIG. 7 is a perspective view of my new ornamental design.

1 Claim, 6 Drawing Sheets



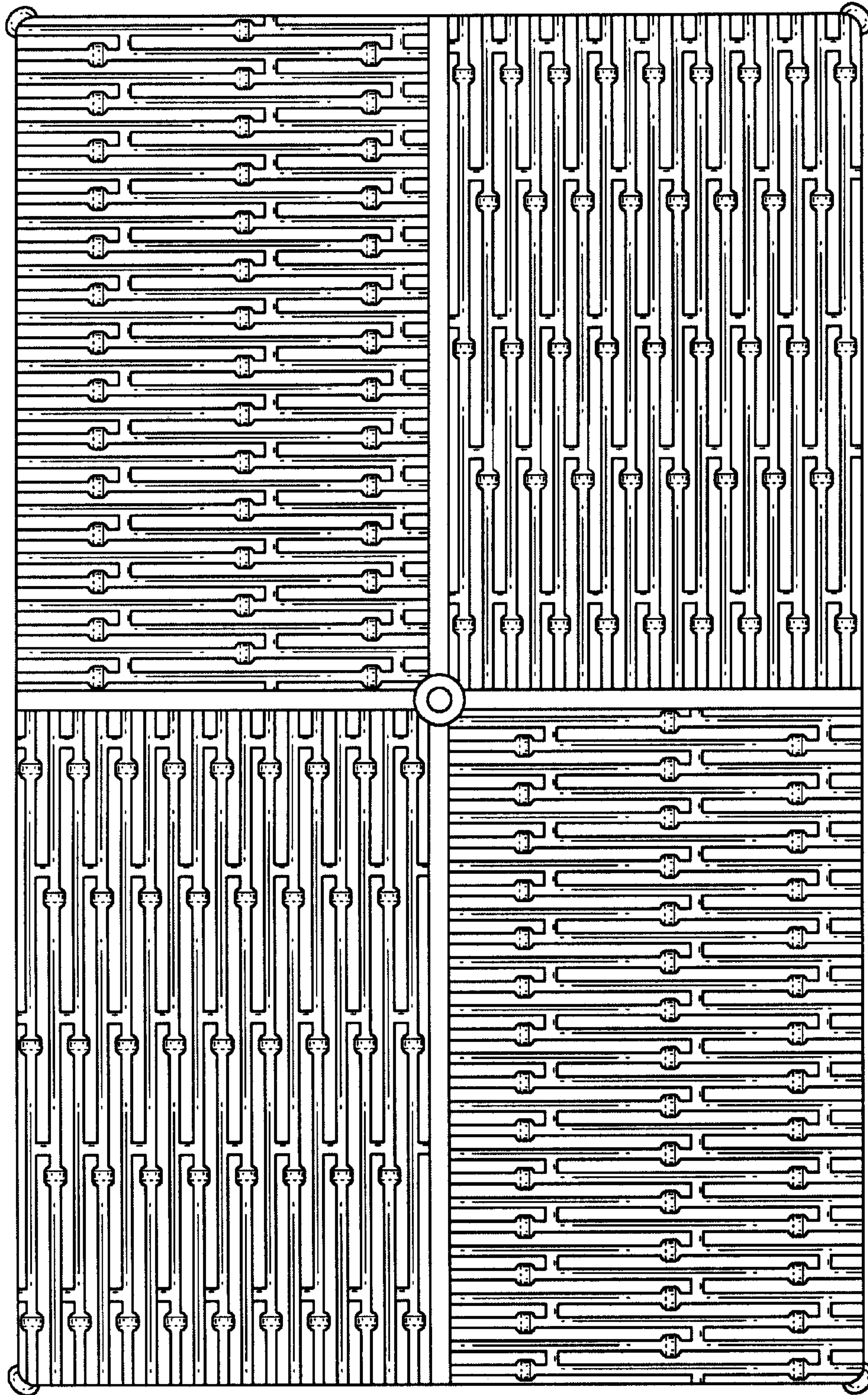


FIG. 1

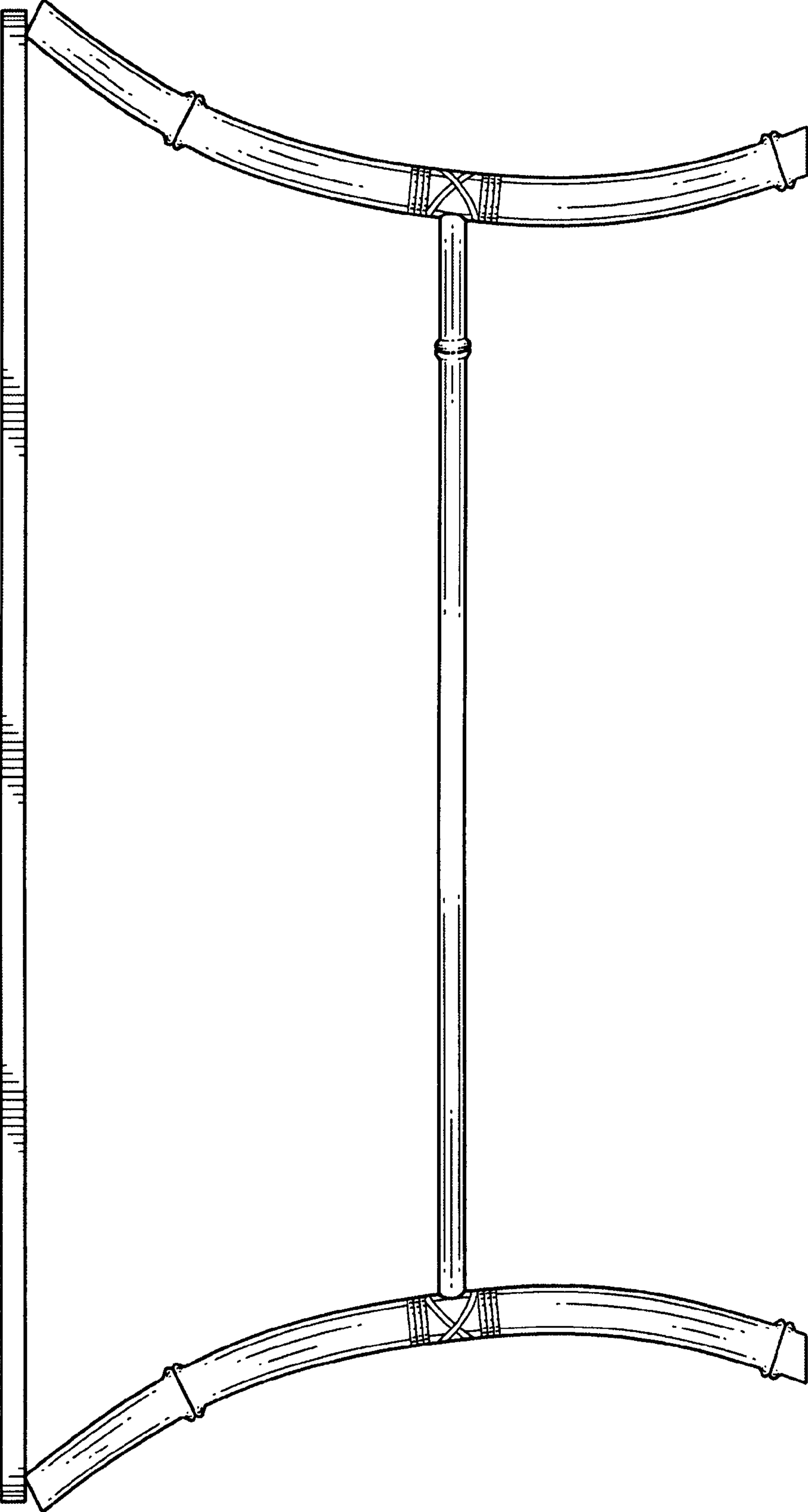


FIG. 2

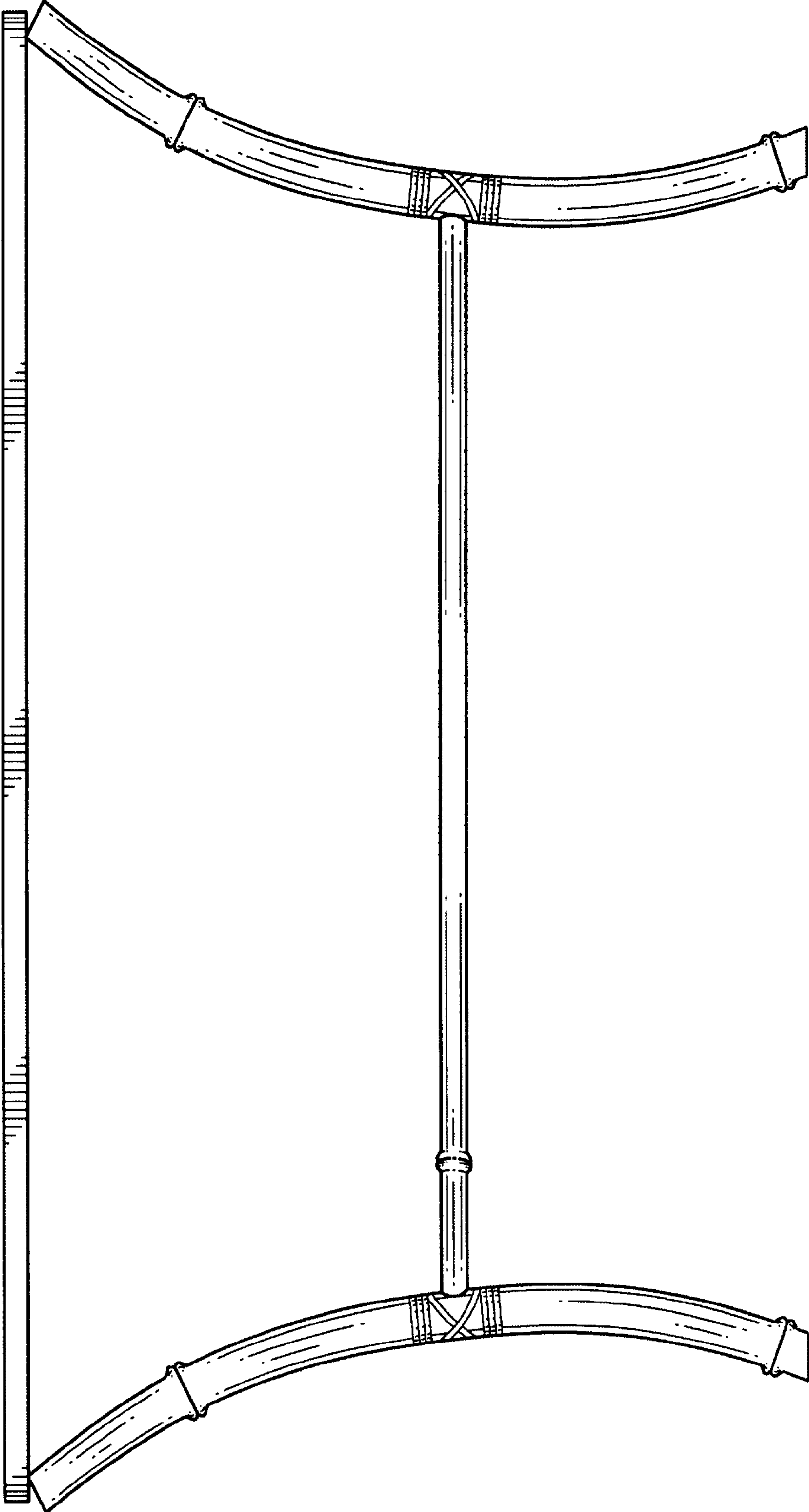


FIG. 3

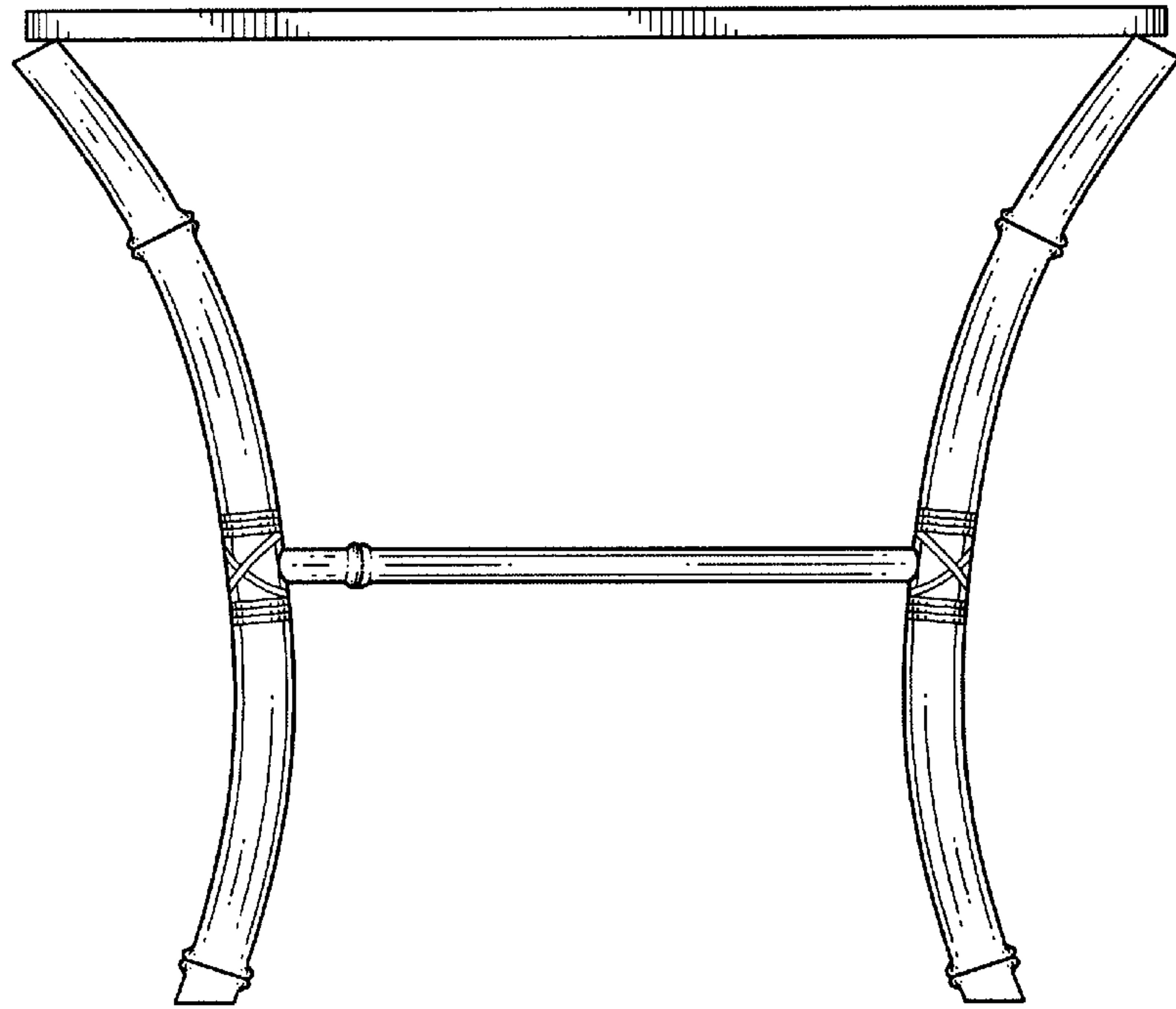


FIG. 4

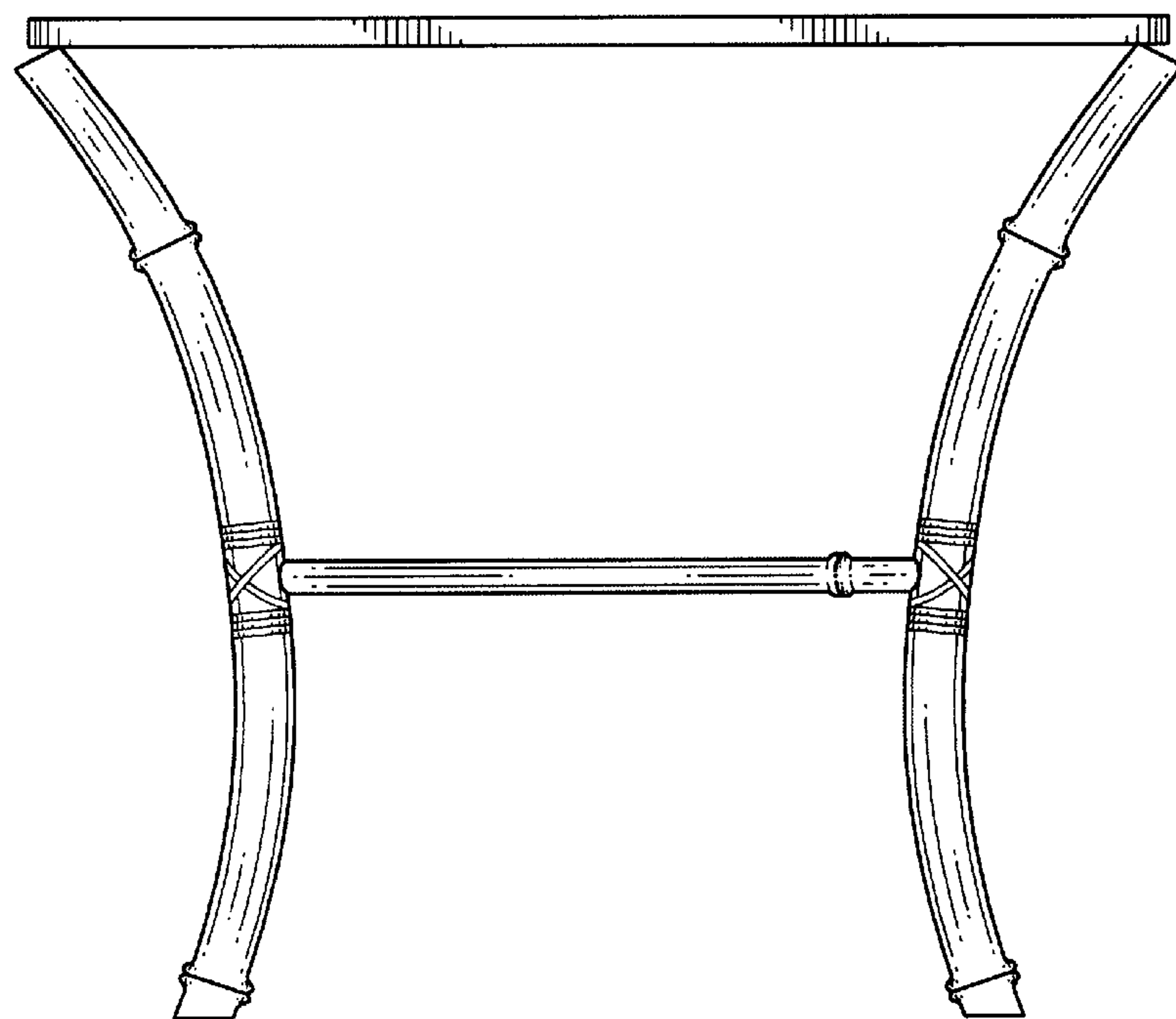


FIG. 5

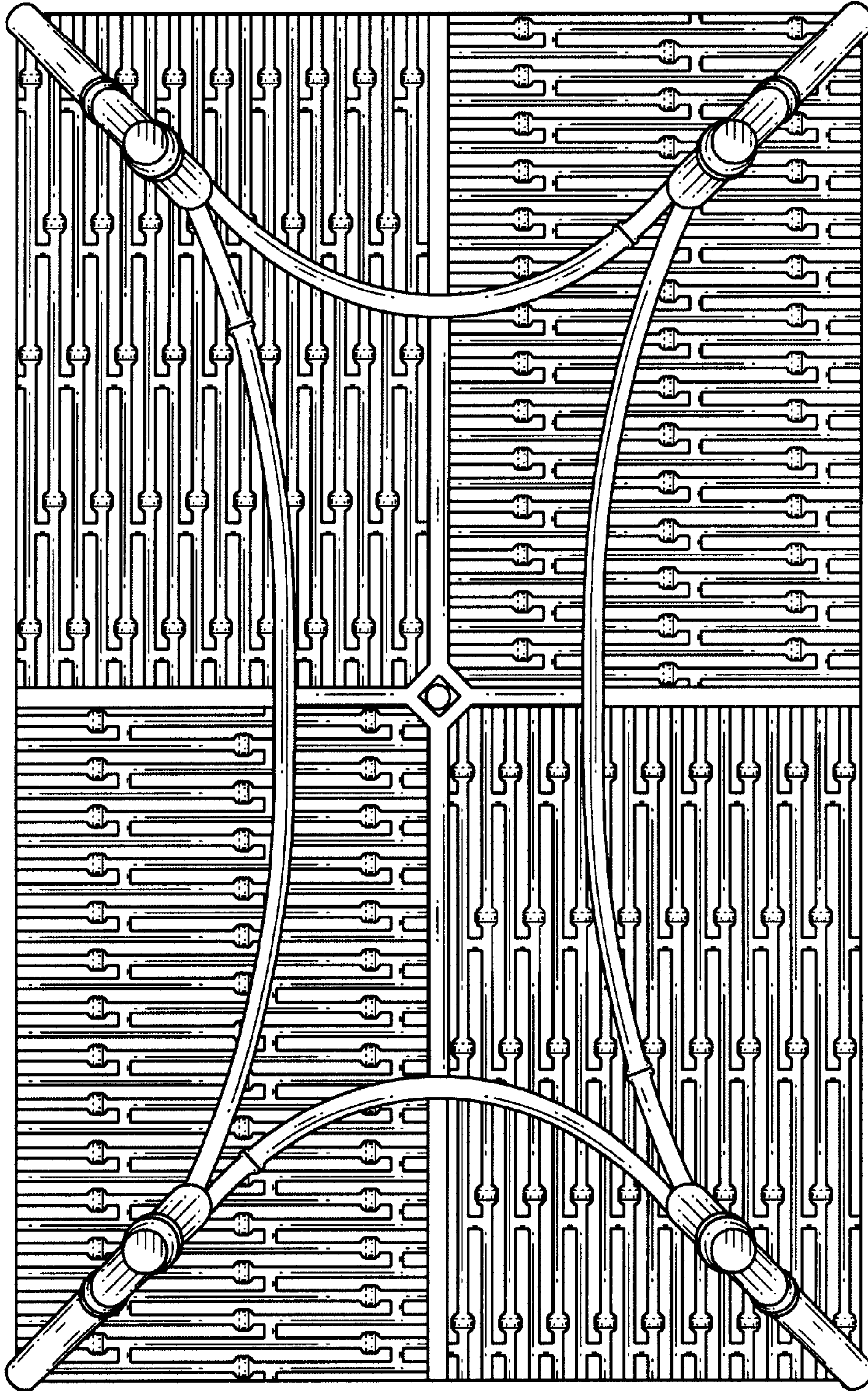


FIG. 6

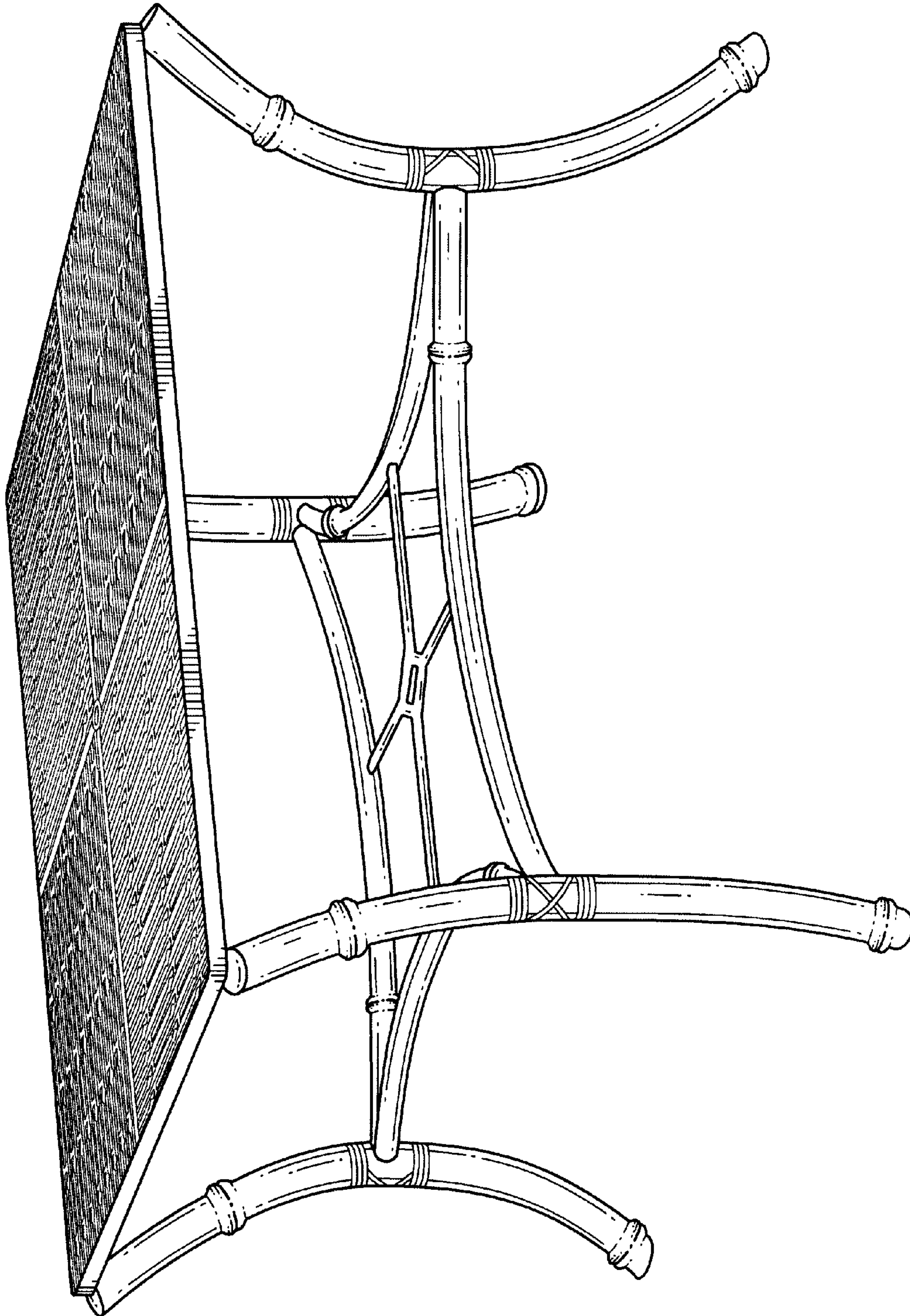


FIG. 7