



US00D535831S

(12) **United States Design Patent**
Huang

(10) **Patent No.:** **US D535,831 S**

(45) **Date of Patent:** **** Jan. 30, 2007**

(54) **CHAIR**

(76) **Inventor:** **William Huang**, 5353 Jillson St.,
Commerce, CA (US) 90040

(**) **Term:** **14 Years**

(21) **Appl. No.:** **29/231,854**

(22) **Filed:** **Jun. 13, 2005**

(51) **LOC (8) Cl.** **06-01**

(52) **U.S. Cl.** **D6/366**

(58) **Field of Classification Search** D6/334-335,
D6/364, 365, 366, 367, 368, 374, 498, 500-502;
297/452.21, 452.24, 452.26, 452.32, 452.33,
297/452.37, 452.48

See application file for complete search history.

(56) **References Cited**

U.S. PATENT DOCUMENTS

D390,712 S	*	2/1998	Koepke et al.	D6/366
D407,911 S	*	4/1999	Brauning	D6/366
D418,316 S	*	1/2000	Vogtherr	D6/366
D429,584 S	*	8/2000	Brettschneider et al.	D6/500
D442,401 S	*	5/2001	Su	D6/501

D444,327 S	*	7/2001	Tseng	D6/501
D444,637 S	*	7/2001	Tseng	D6/366
D445,579 S	*	7/2001	Olson	D6/366
D446,033 S	*	8/2001	Koepke et al.	D6/366
D446,396 S	*	8/2001	Phillips et al.	D6/366
D447,367 S	*	9/2001	Lee	D6/501
D447,370 S	*	9/2001	Ho	D6/501
D457,760 S	*	5/2002	De Lucchi et al.	D6/500

* cited by examiner

Primary Examiner—Mimosa De

(74) *Attorney, Agent, or Firm*—Raymond Y. Chan; David
and Raymond Patent Group

(57) **CLAIM**

The ornamental design for a chair, as shown.

DESCRIPTION

FIG. 1 is a perspective view showing my new design.

FIG. 2 is a front view thereof.

FIG. 3 is a rear view thereof.

FIG. 4 is a right end view thereof.

FIG. 5 is a left end view thereof; and,

FIG. 6 is a top view thereof.

1 Claim, 6 Drawing Sheets

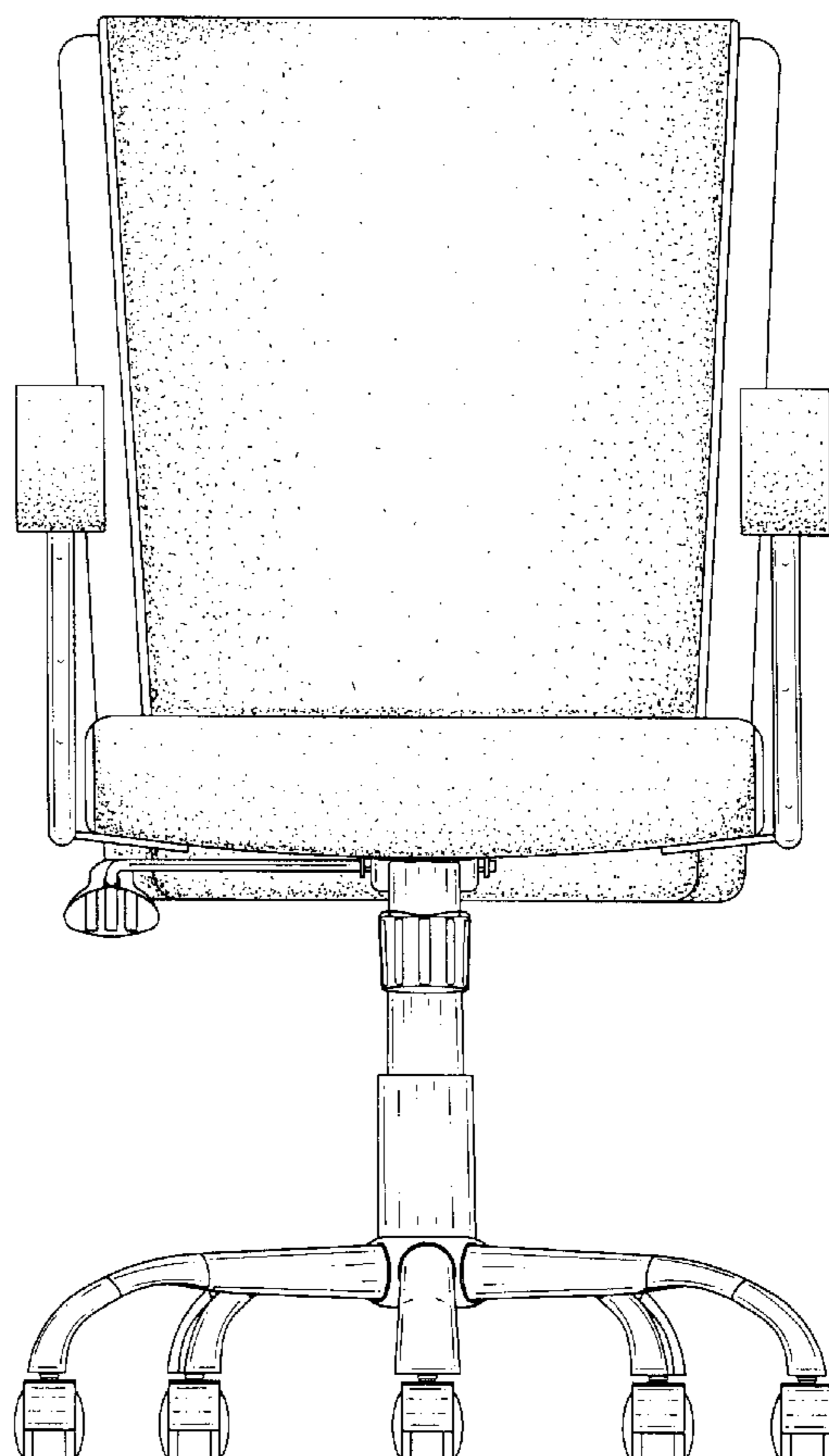
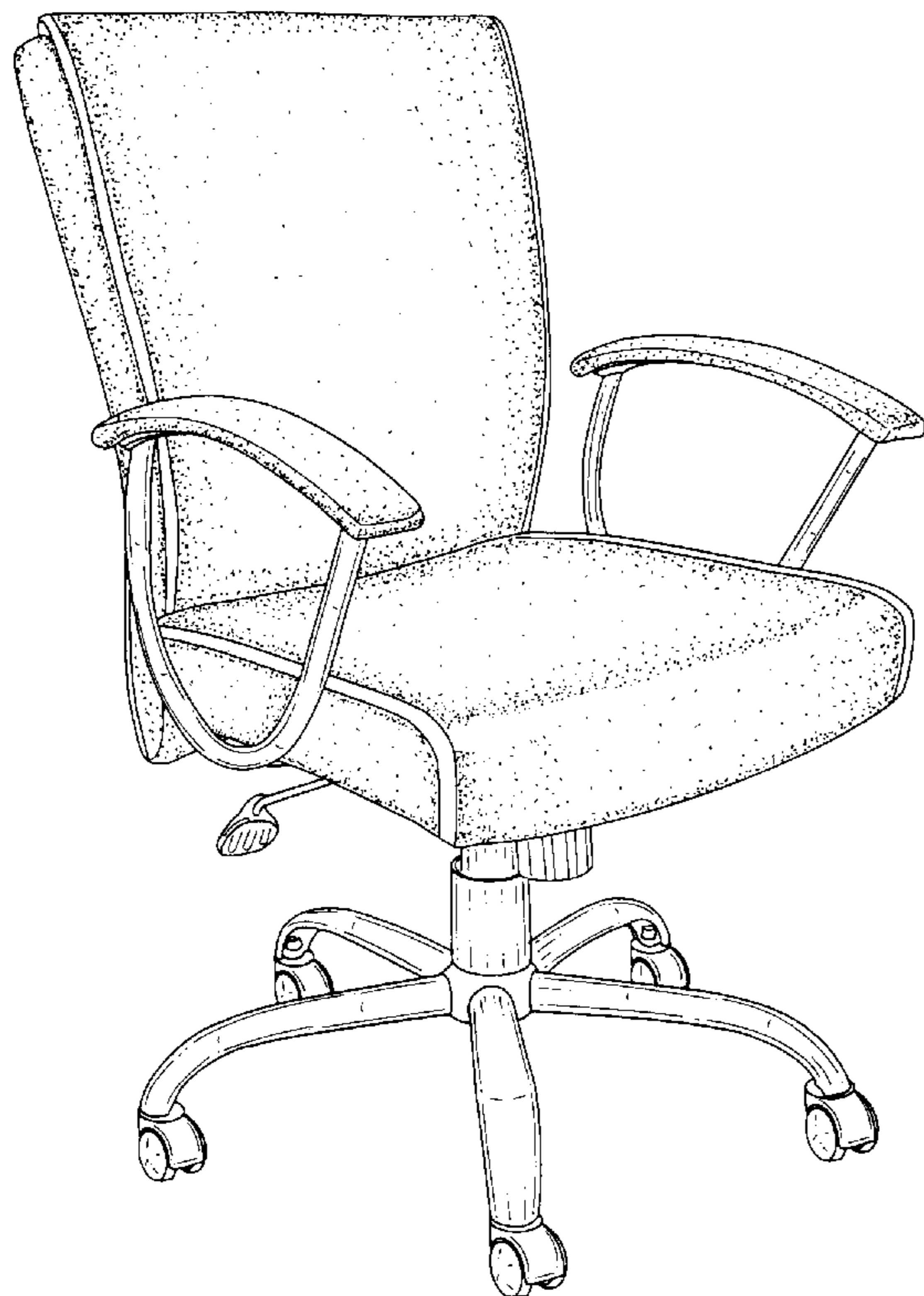




FIG. 1

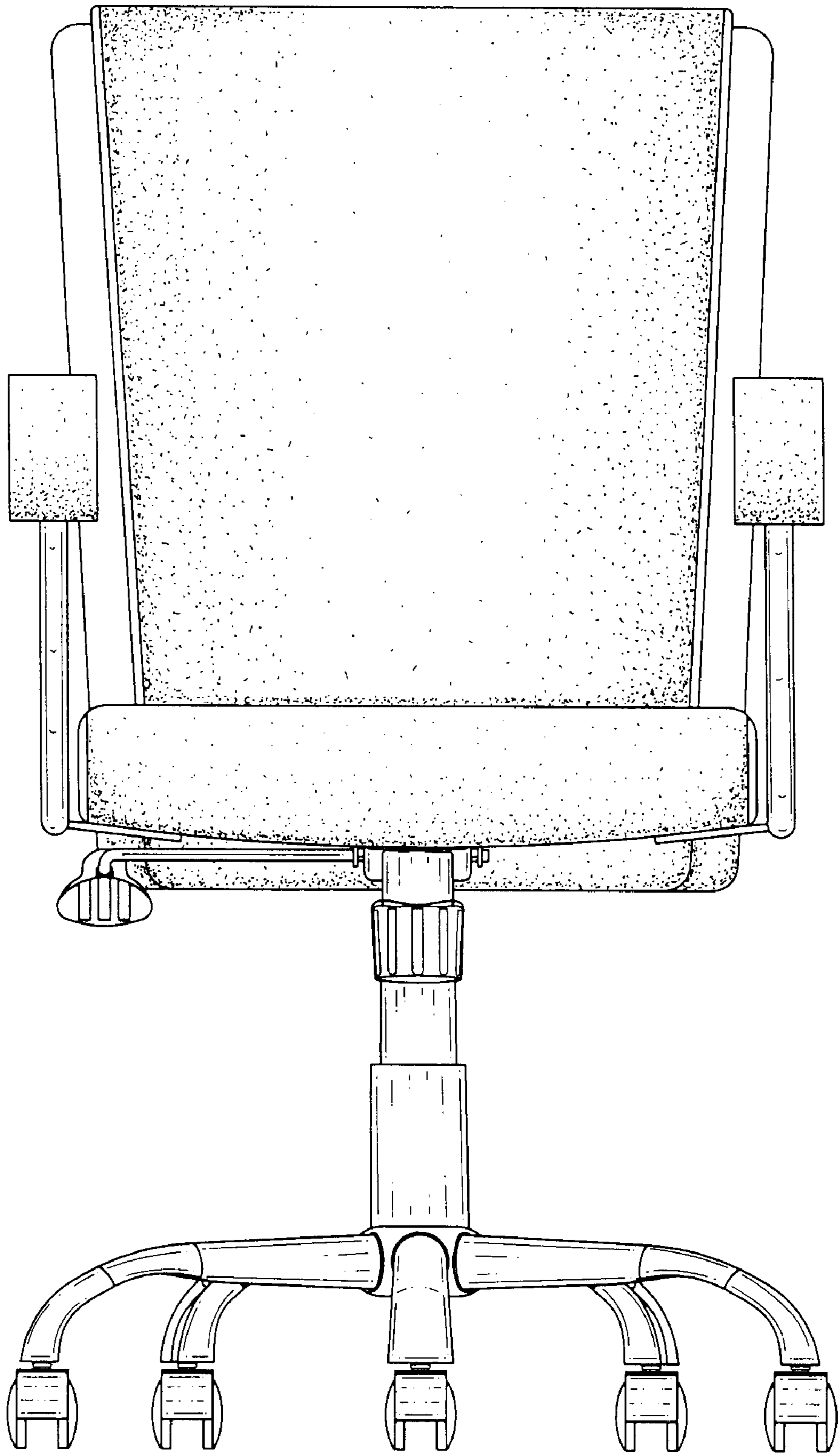


FIG. 2

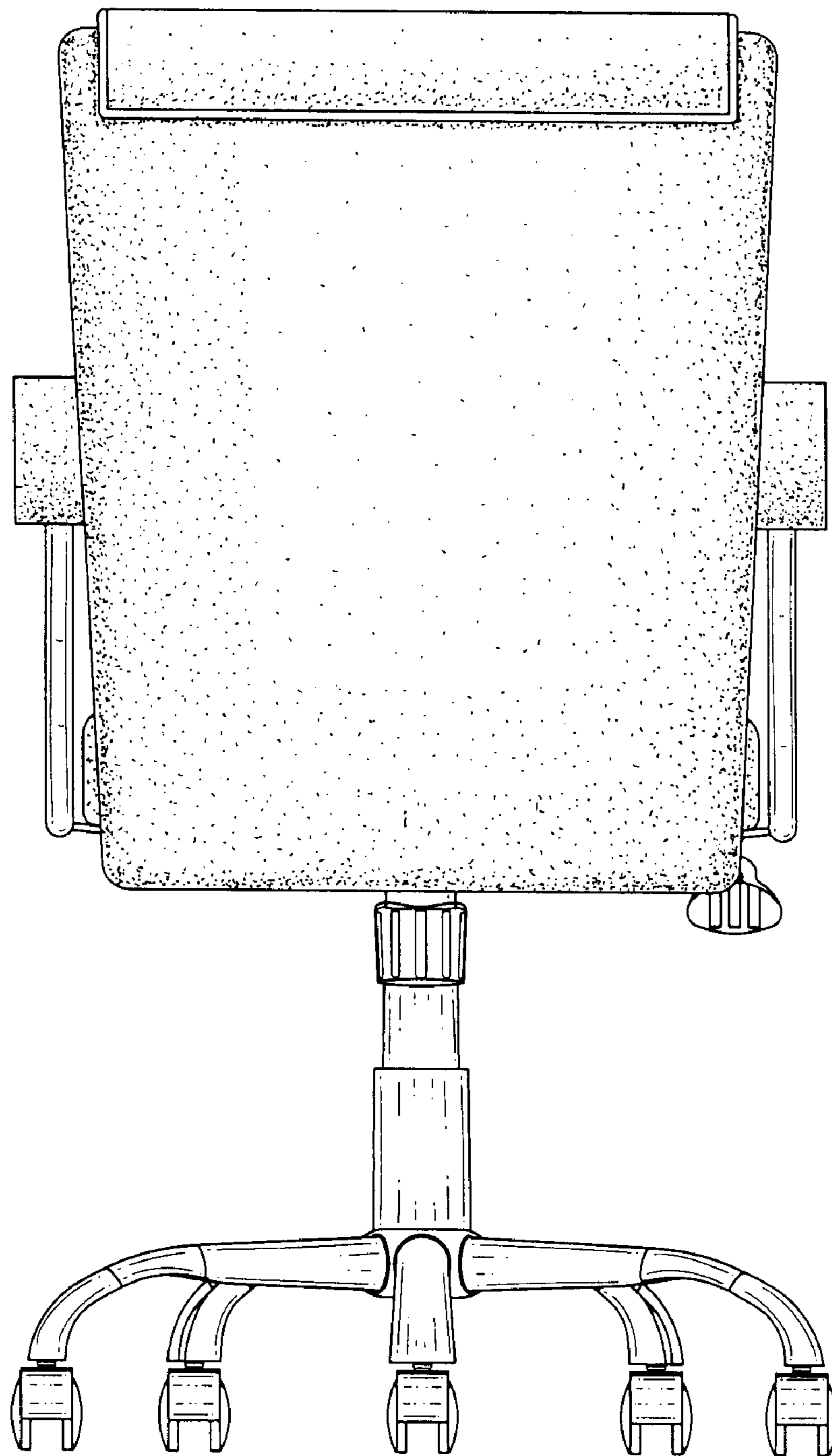


FIG. 3

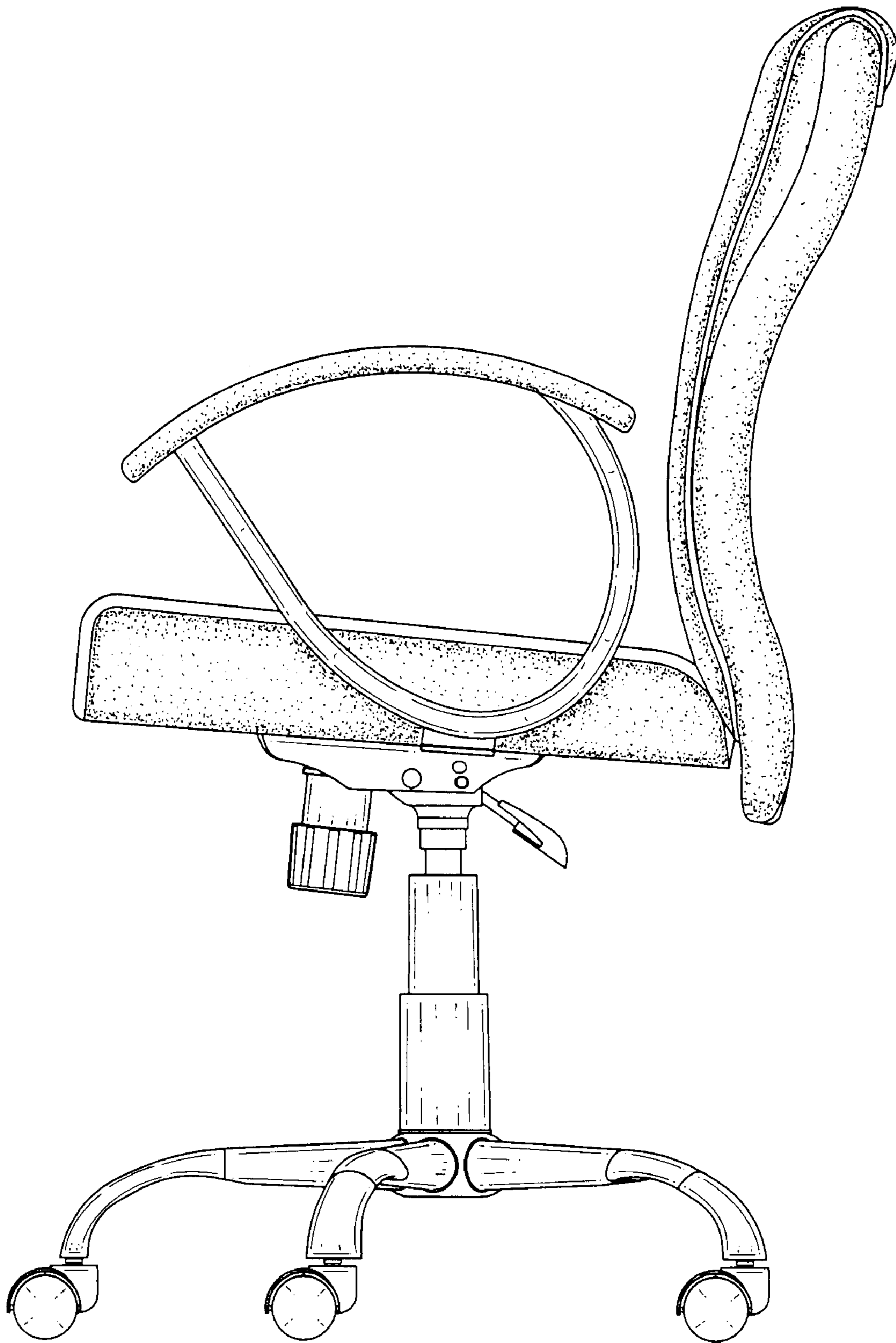


FIG. 4

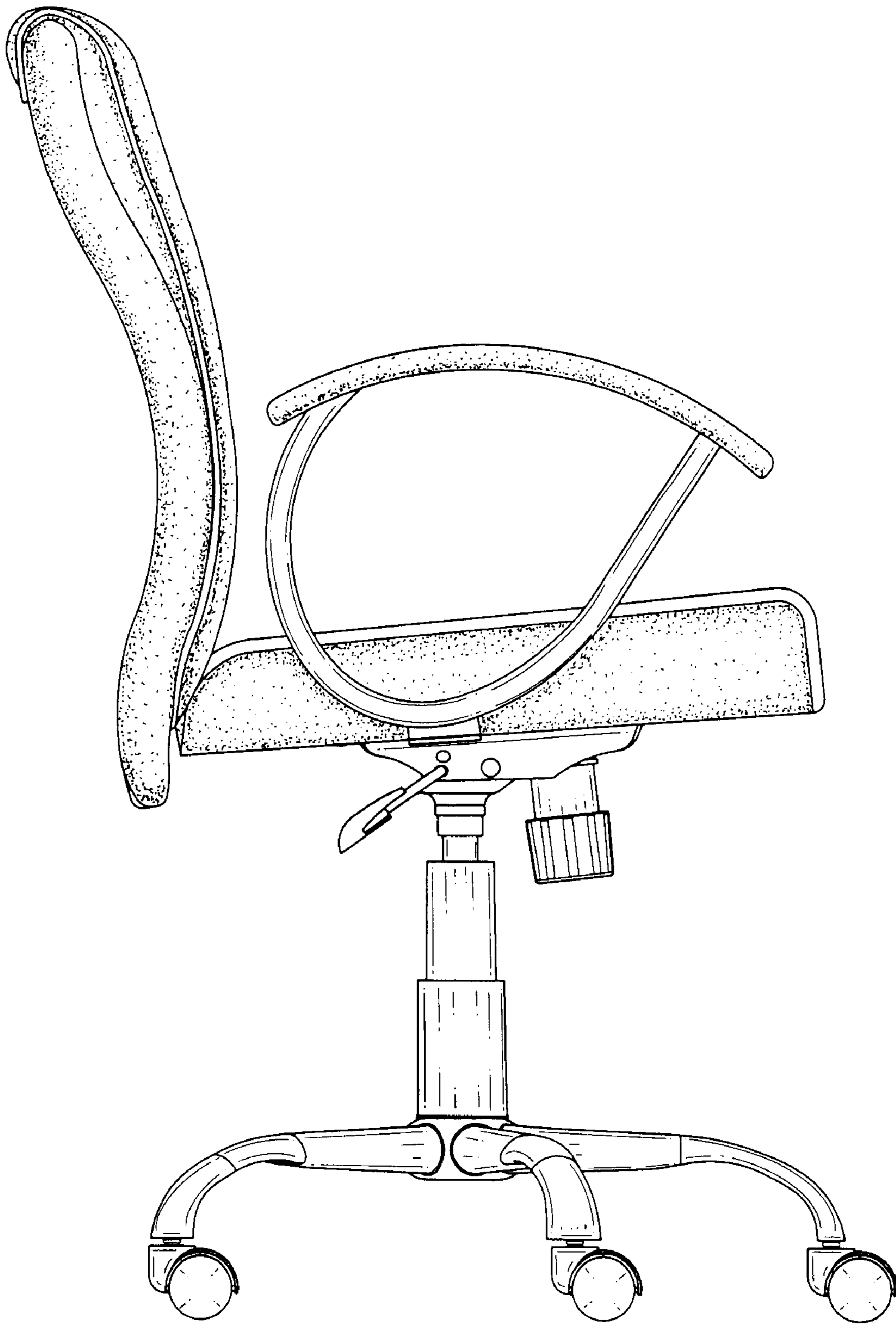


FIG. 5

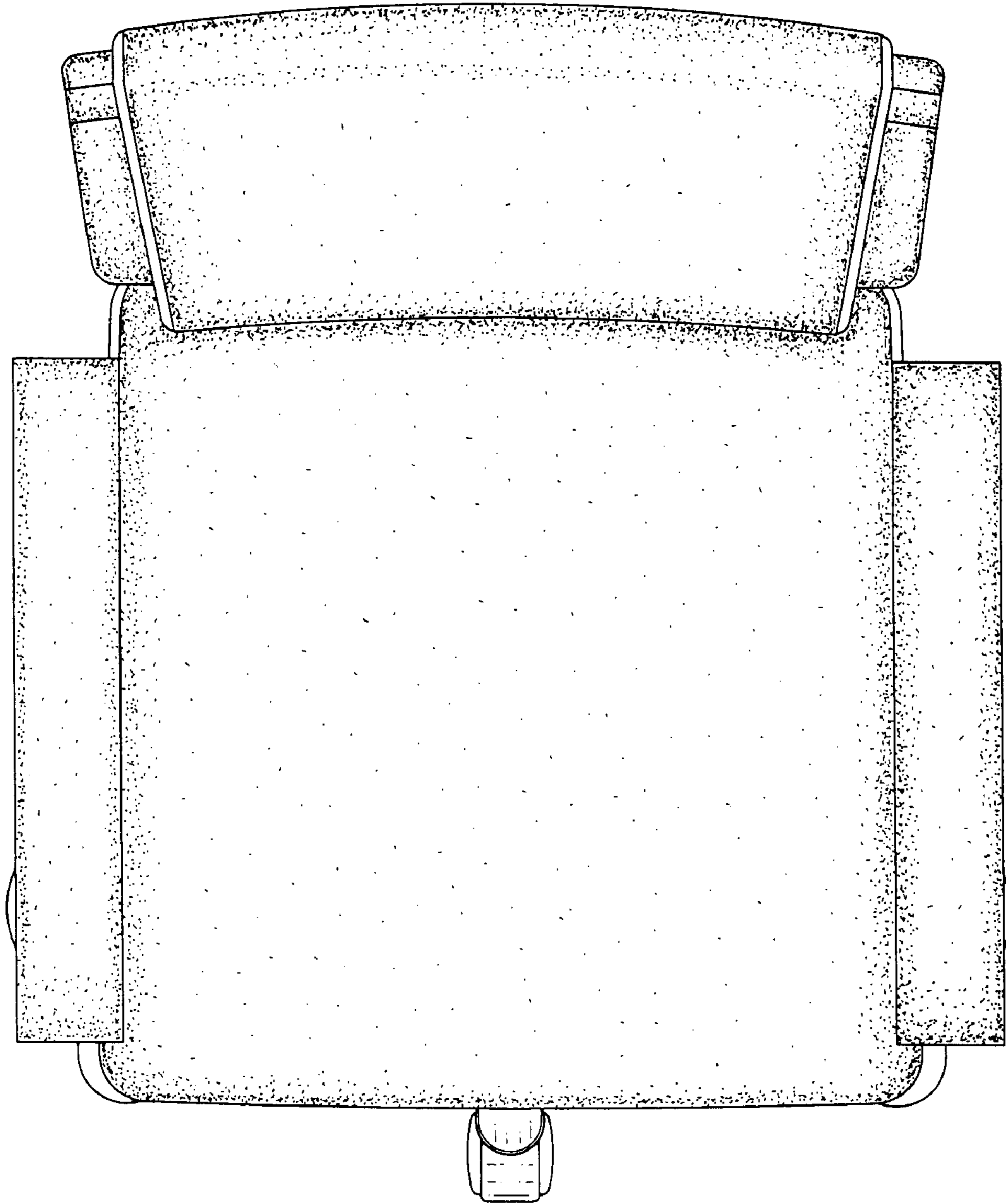


FIG.6