



US00D535829S

(12) **United States Design Patent**
Goldstein

(10) **Patent No.:** **US D535,829 S**

(45) **Date of Patent:** **** Jan. 30, 2007**

(54) **OTTOMAN**

(75) **Inventor:** **Barbara Goldstein**, Germantown, MD
(US)

(73) **Assignee:** **Country Casual, Inc.**, Gaithersburg,
MD (US)

(**) **Term:** **14 Years**

(21) **Appl. No.:** **29/252,934**

(22) **Filed:** **Jan. 31, 2006**

(51) **LOC (8) Cl.** **06-01**

(52) **U.S. Cl.** **D6/349**

(58) **Field of Classification Search** D6/332,
D6/335-337, 340, 349, 355, 352-353, 369-370,
D6/381, 495, 499-502, 488, 484; 5/12.1;
108/118, 119, 137; 297/16.1-16.2, 451.9,
297/452.11, 452.63, 217.1, 31, 175, 423.1,
297/423.16, 461, 232

See application file for complete search history.

(56) **References Cited**

U.S. PATENT DOCUMENTS

D249,312 S * 9/1978 Taber D6/484

D287,677 S * 1/1987 Pomeroy et al. D6/449

D394,361 S * 5/1998 Adams et al. D6/429

D414,354 S * 9/1999 Gower D6/484

D415,909 S * 11/1999 Valderen D6/480

D503,298 S * 3/2005 Juneau D6/480

* cited by examiner

Primary Examiner—Sandra S. Snapp

(74) *Attorney, Agent, or Firm*—Rosenberg, Klein & Lee

(57) **CLAIM**

The ornamental design for a ottoman, as shown and described.

DESCRIPTION

FIG. 1 is a perspective view of the ottoman showing my new design;

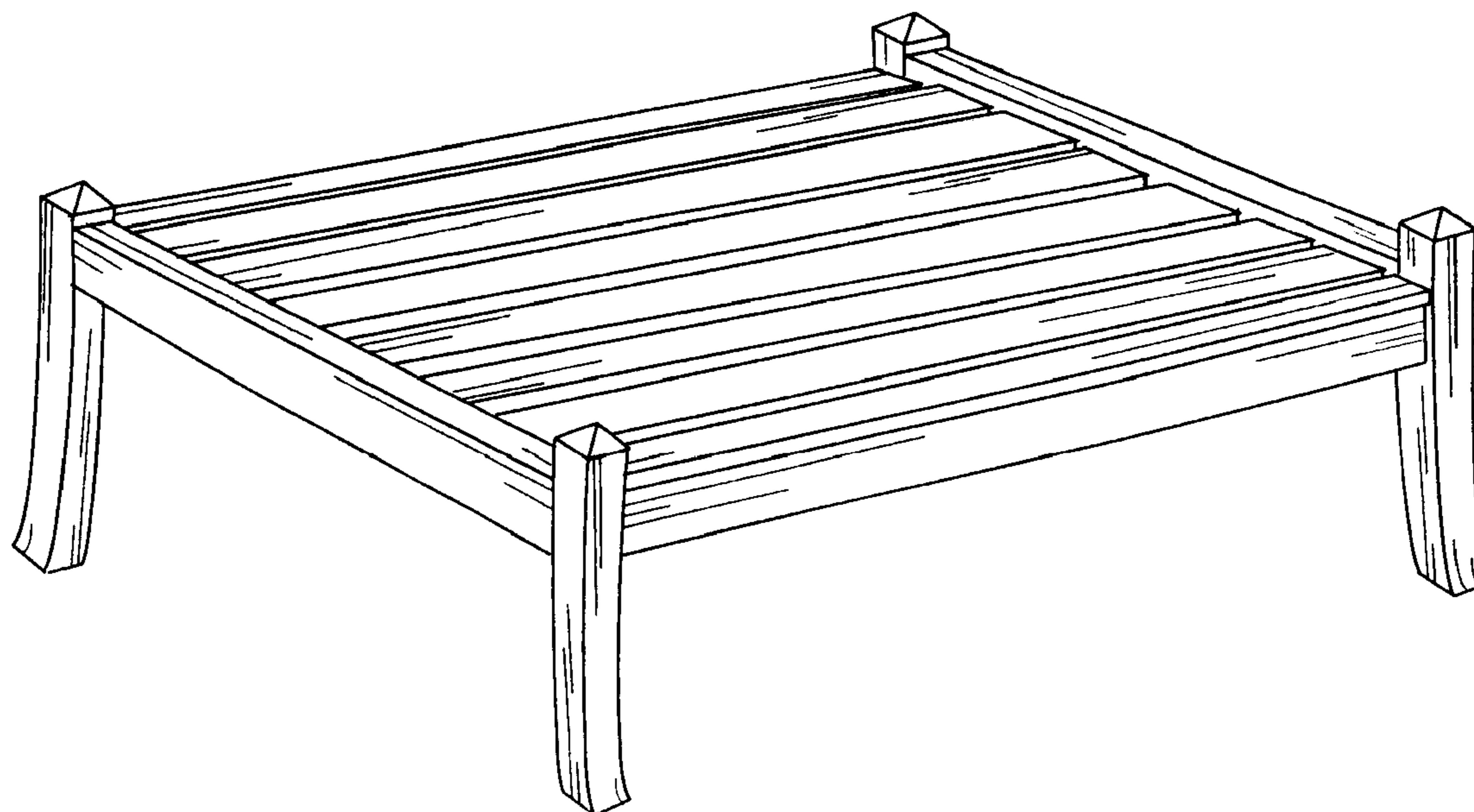
FIG. 2 is a right elevational view thereof, the left elevational view being a mirror image of the right elevational view;

FIG. 3 is a rear elevational view thereof;

FIG. 4 is a top plan view thereof; and,

FIG. 5 is a bottom plan view thereof.

1 Claim, 5 Drawing Sheets



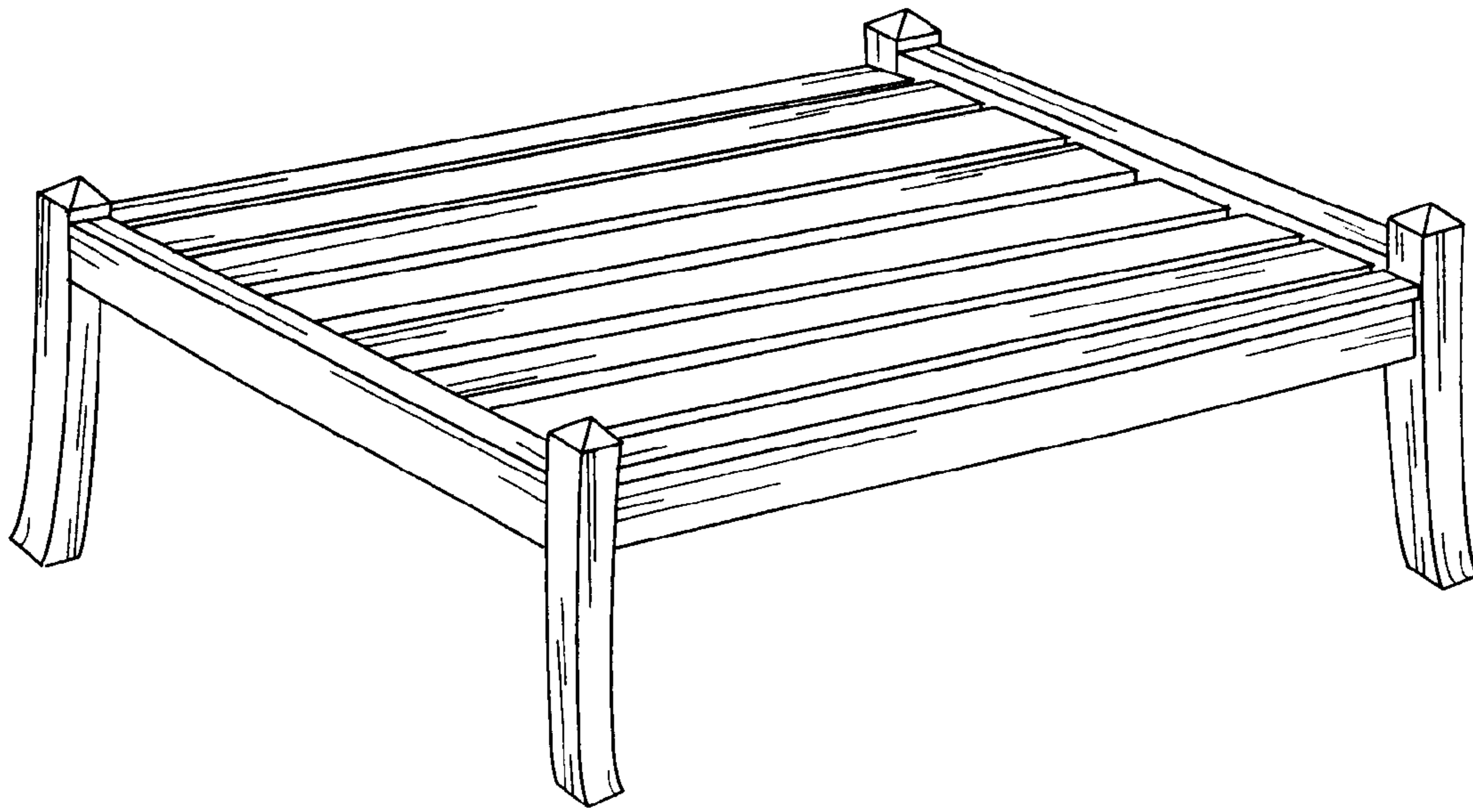


FIG. 1

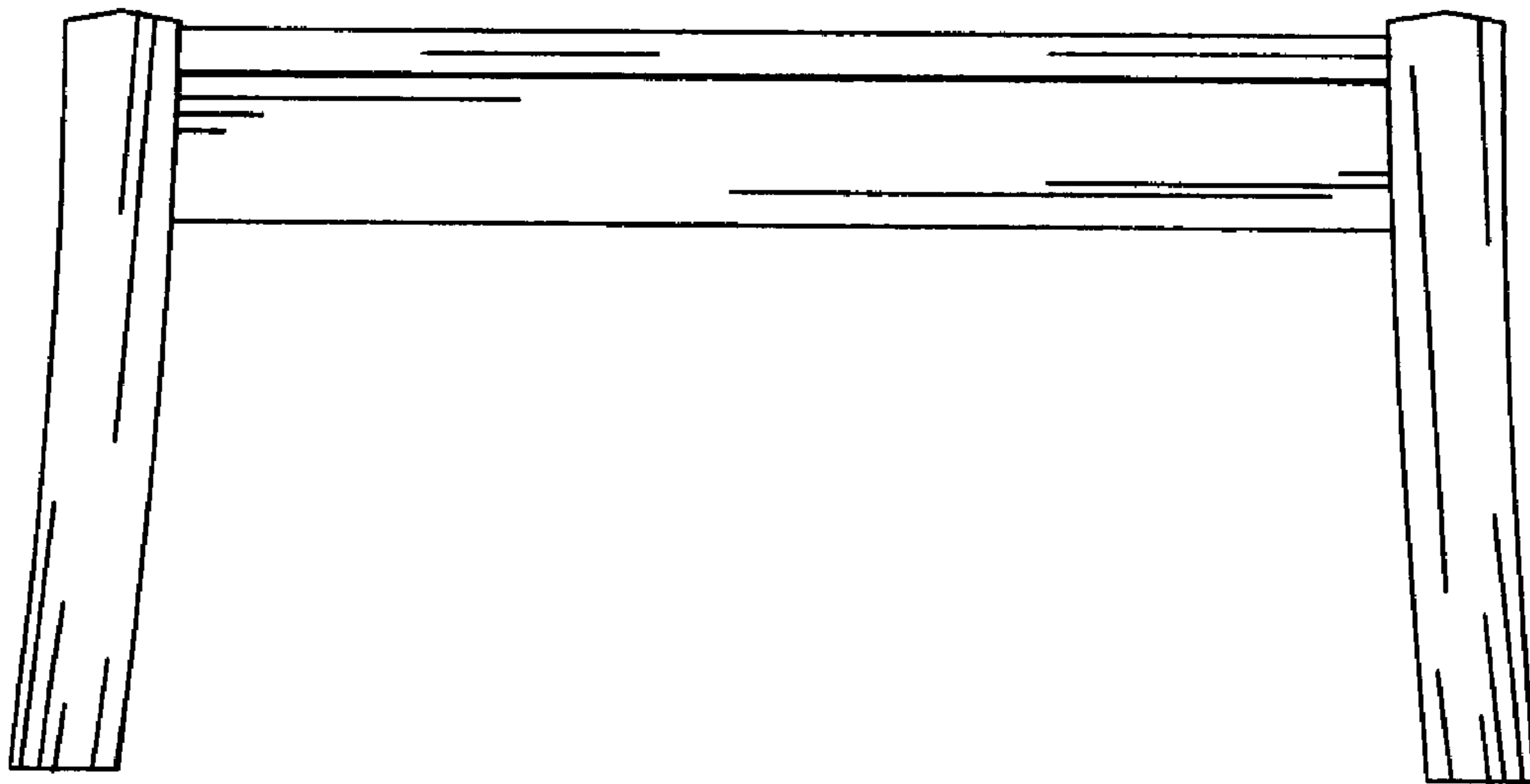


FIG. 2

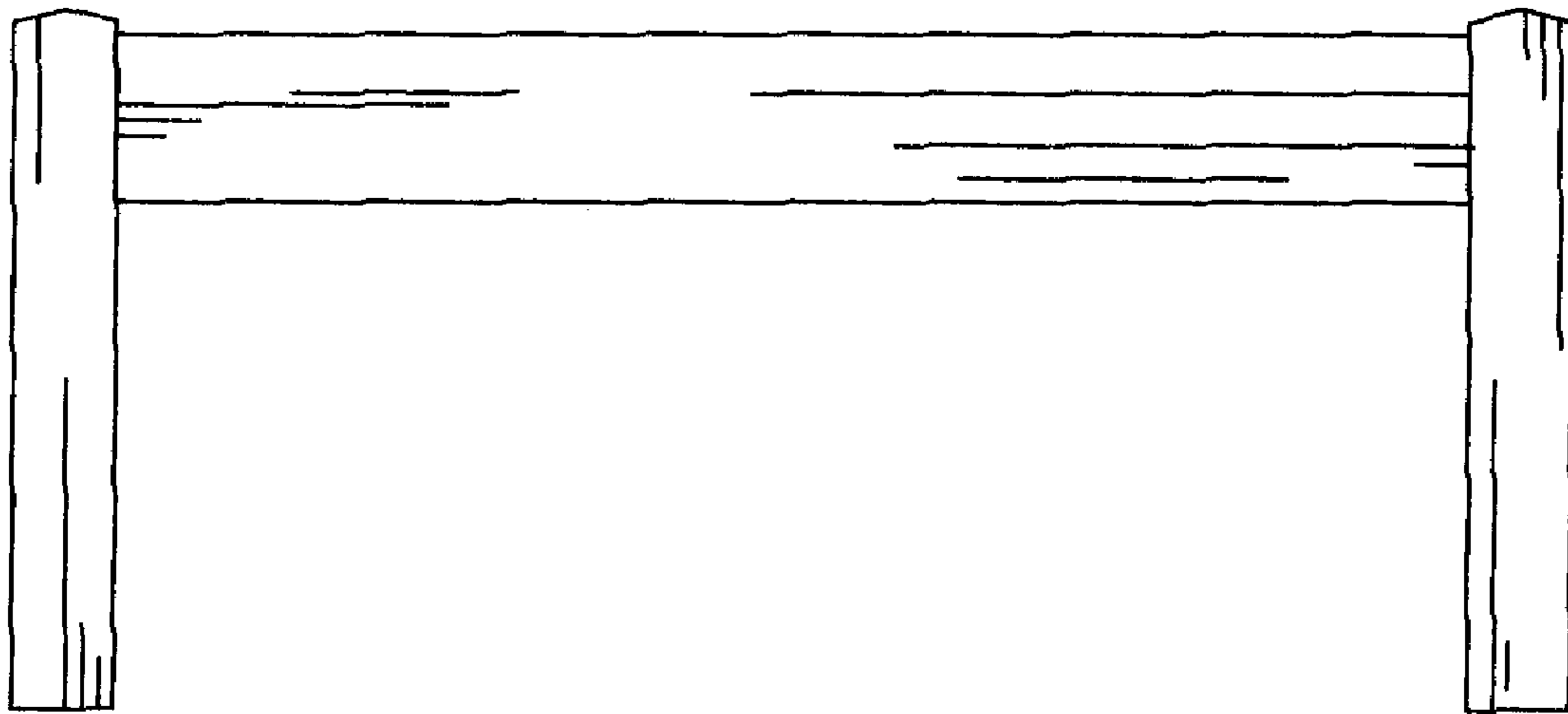


FIG. 3

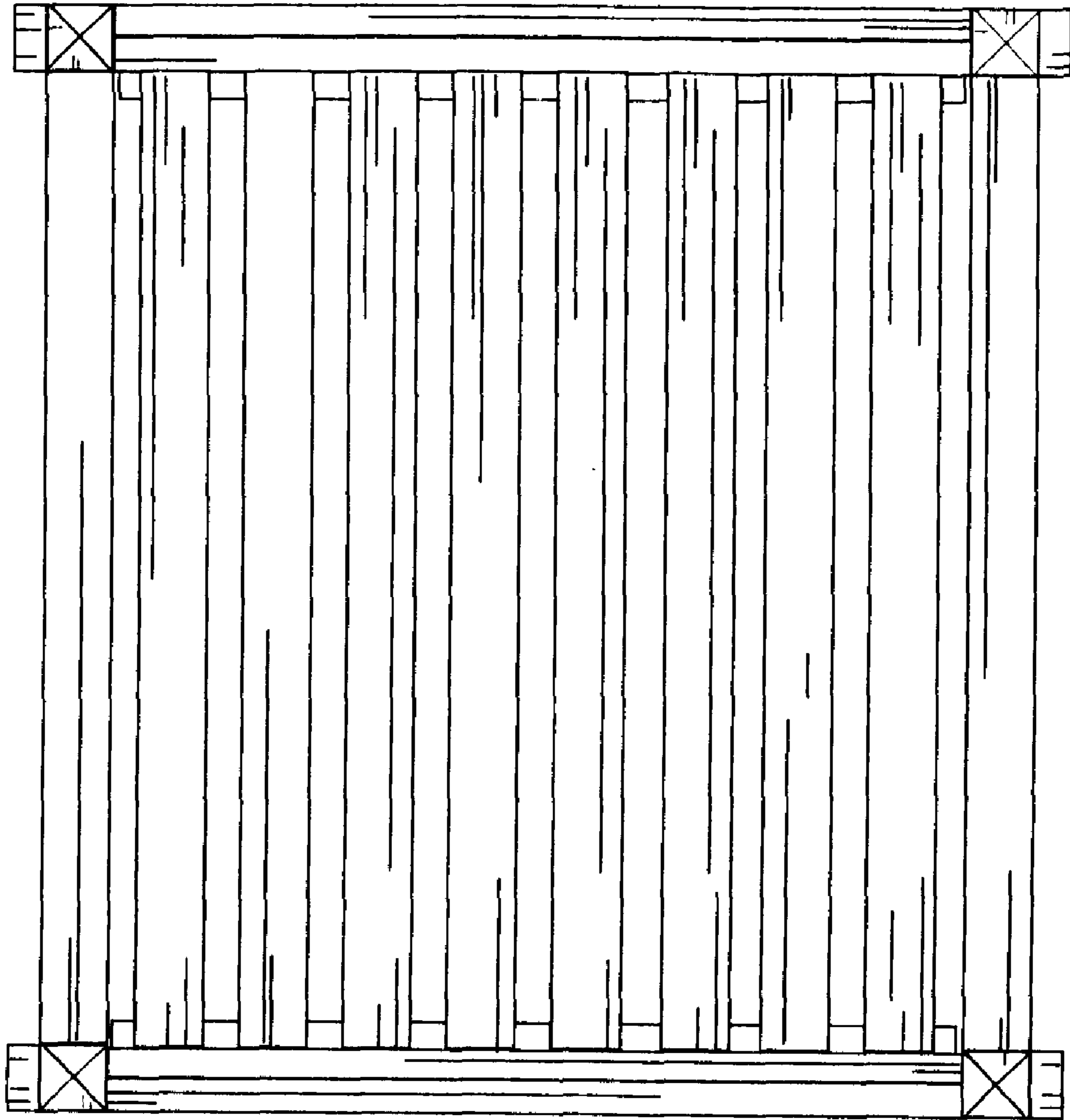


FIG. 4

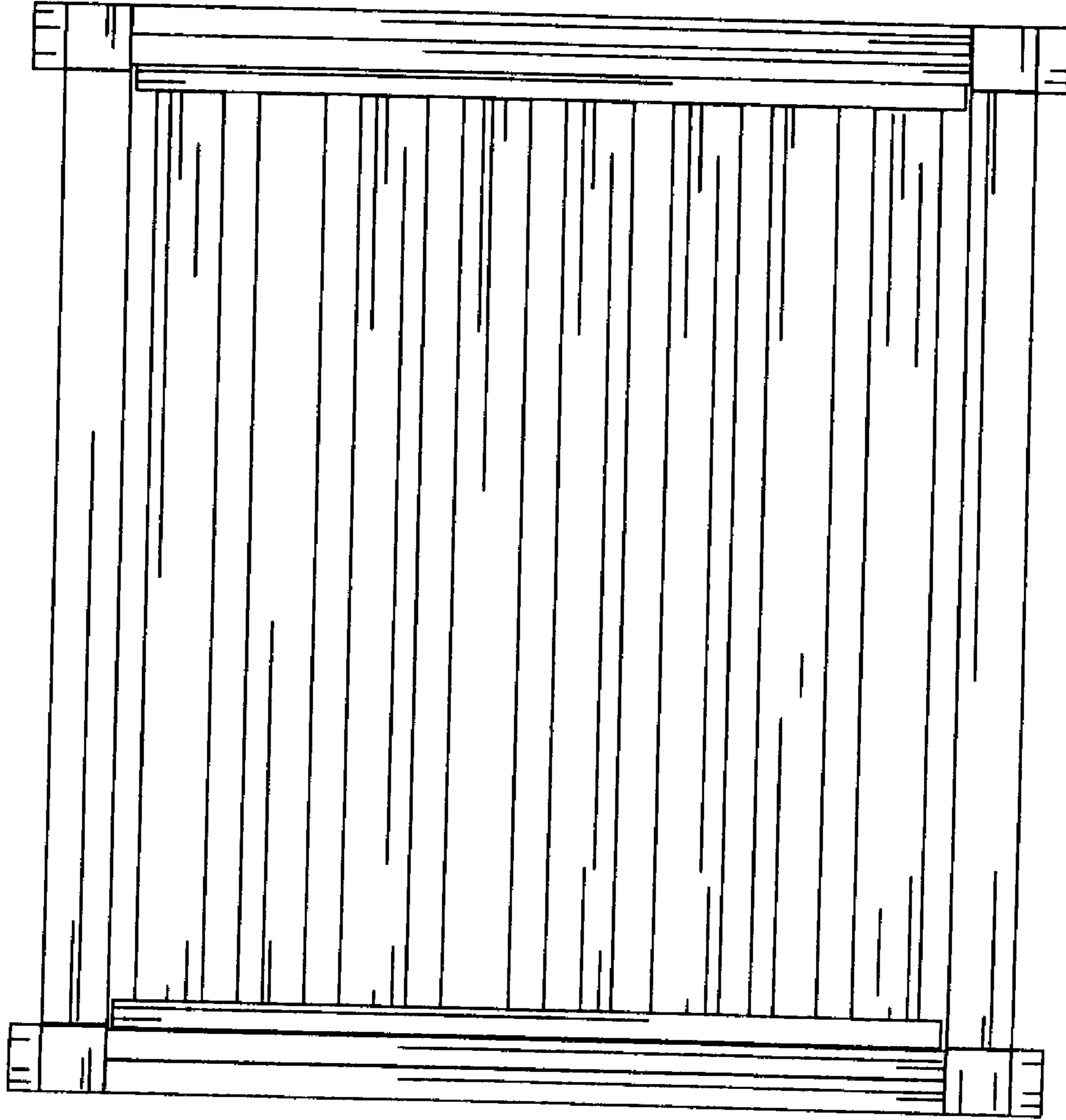


FIG. 5