



US00D535828S

(12) **United States Design Patent**  
**Gasca Burges**

(10) **Patent No.:** **US D535,828 S**

(45) **Date of Patent:** **\*\* Jan. 30, 2007**

(54) **TABOURET**

(76) **Inventor:** **Jesus Gasca Burges**, Poligono  
26.-20115, Astigarraga (Guipúcoa) (ES),  
20115

(\*\*) **Term:** **14 Years**

(21) **Appl. No.:** **29/235,881**

(22) **Filed:** **Aug. 8, 2005**

(51) **LOC (8) Cl.** ..... **06-01**

(52) **U.S. Cl.** ..... **D6/349; D6/360**

(58) **Field of Classification Search** ..... D6/334-336,  
D6/340, 349, 351-355, 356, 360, 364, 365,  
D6/366, 374, 375, 500-502; 297/156, 195.1,  
297/195.11, 344.18, 445.1  
See application file for complete search history.

(56) **References Cited**

**U.S. PATENT DOCUMENTS**

- D184,360 S \* 2/1959 Leja ..... D6/356
- D232,880 S \* 9/1974 Samhammer ..... D6/352
- D396,565 S \* 8/1998 Gager et al. .... D6/349

- D458,765 S \* 6/2002 Barbieri ..... D6/367
- D488,630 S \* 4/2004 McCann ..... D6/366
- D493,967 S \* 8/2004 Barbieri ..... D6/349
- D493,968 S \* 8/2004 Barbieri ..... D6/349
- D496,813 S \* 10/2004 Nakajima ..... D6/502

\* cited by examiner

*Primary Examiner*—Mimosa De

(74) *Attorney, Agent, or Firm*—Lucas & Mercanti, LLP

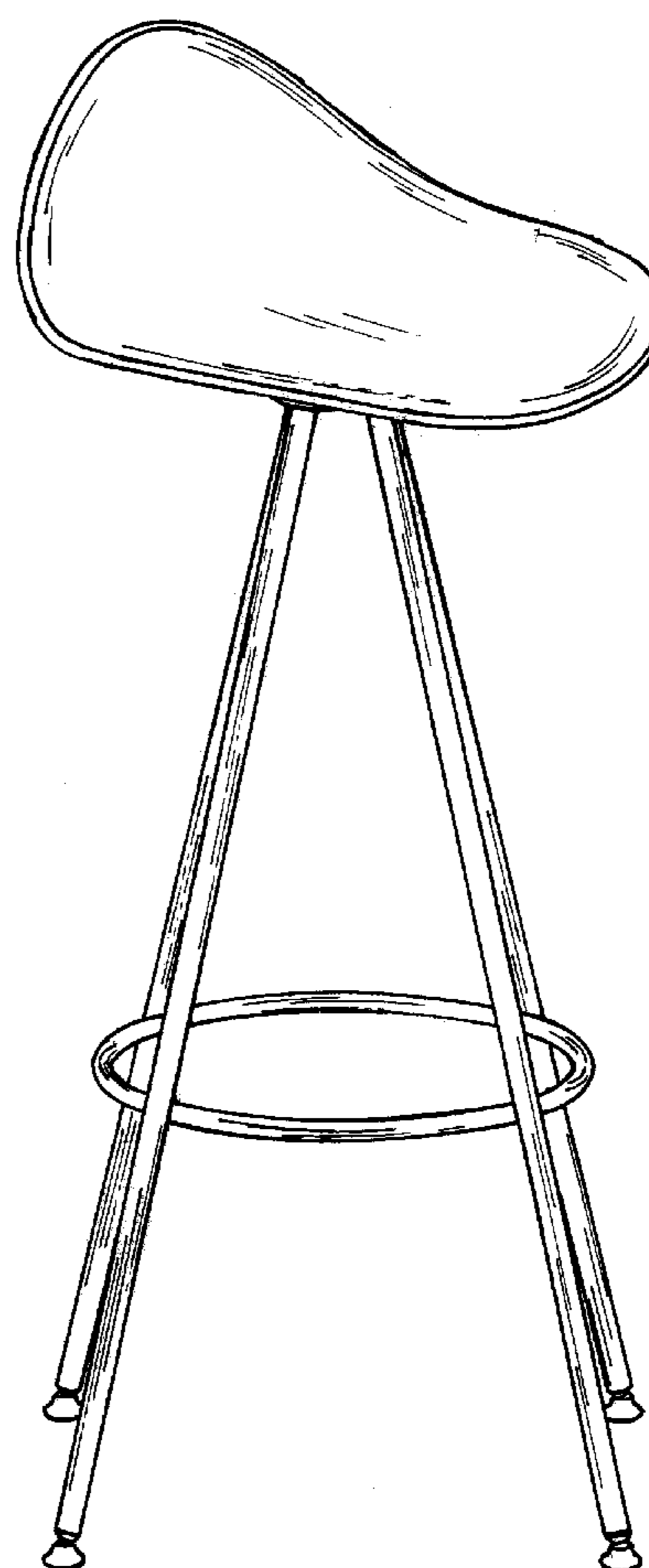
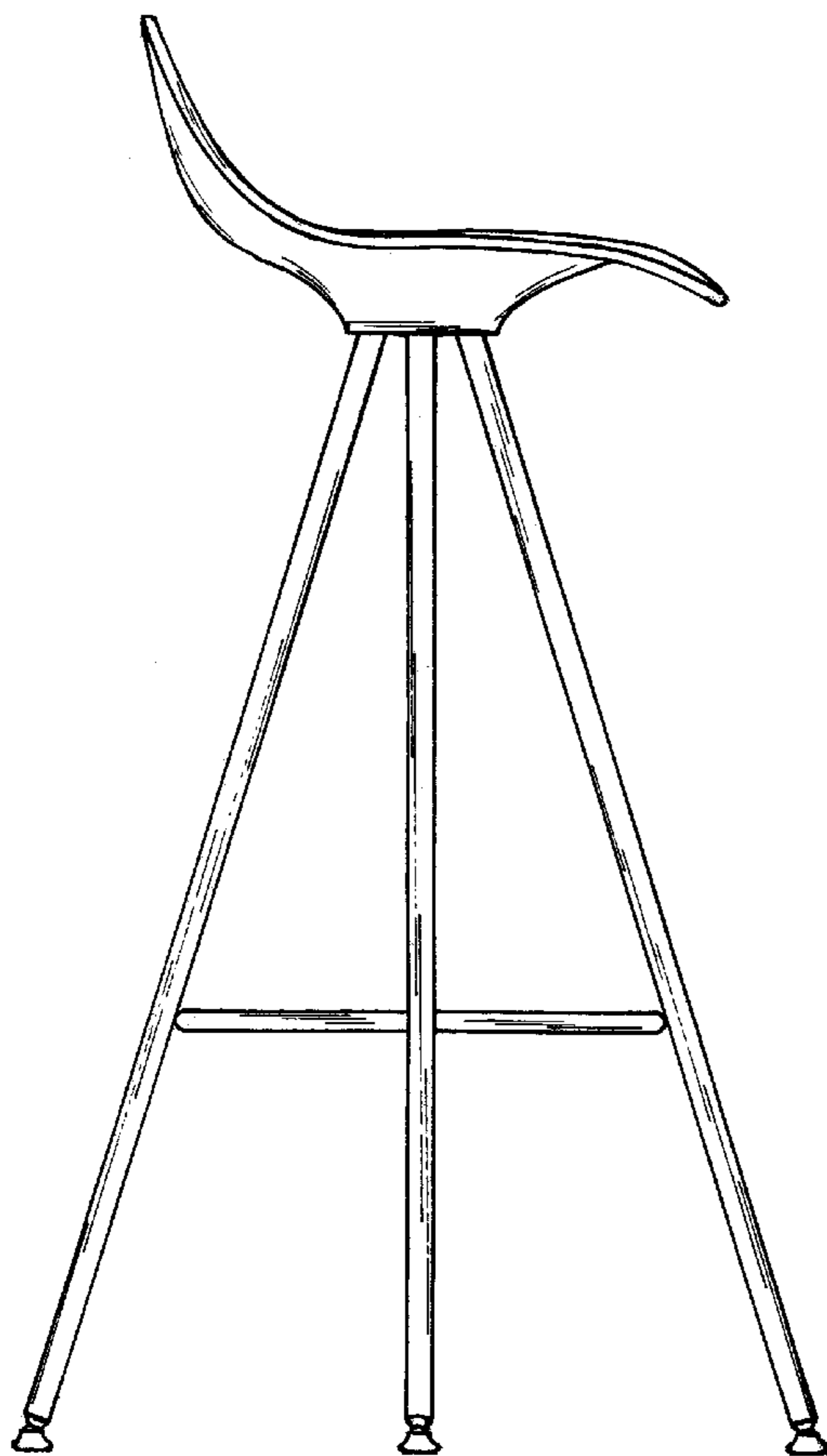
(57) **CLAIM**

The ornamental design for a tabouret, substantially as shown and described.

**DESCRIPTION**

FIG. 1 is a front view of my tabouret design;  
FIG. 2 is a back view of my tabouret design;  
FIG. 3 is a left-side view of my tabouret design;  
FIG. 4 is a right-side view of my tabouret design;  
FIG. 5 is a top view of my tabouret design;  
FIG. 6 is a bottom view of my tabouret design; and,  
FIG. 7 is a perspective view of my tabouret design.

**1 Claim, 7 Drawing Sheets**



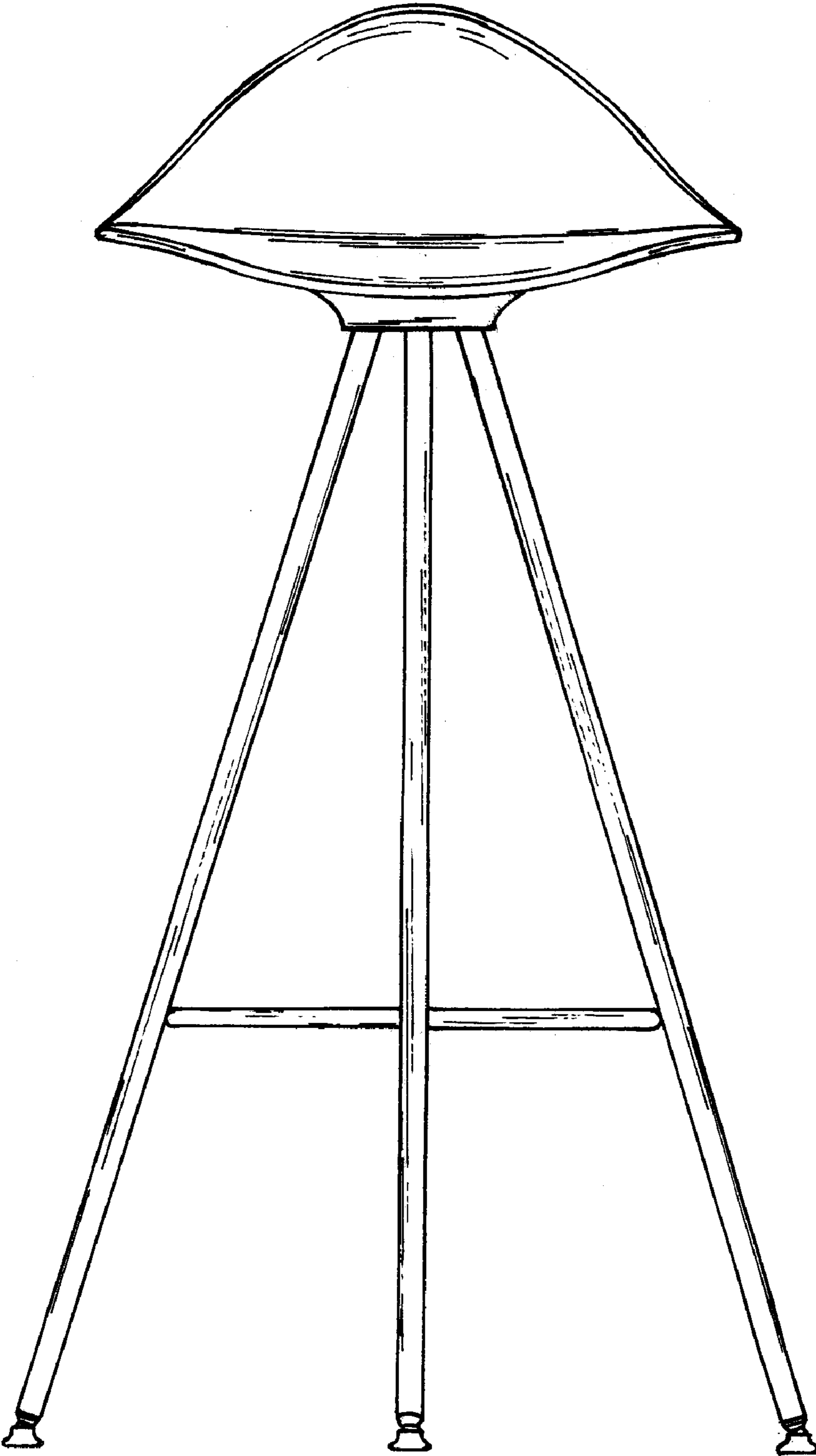


Fig. 1

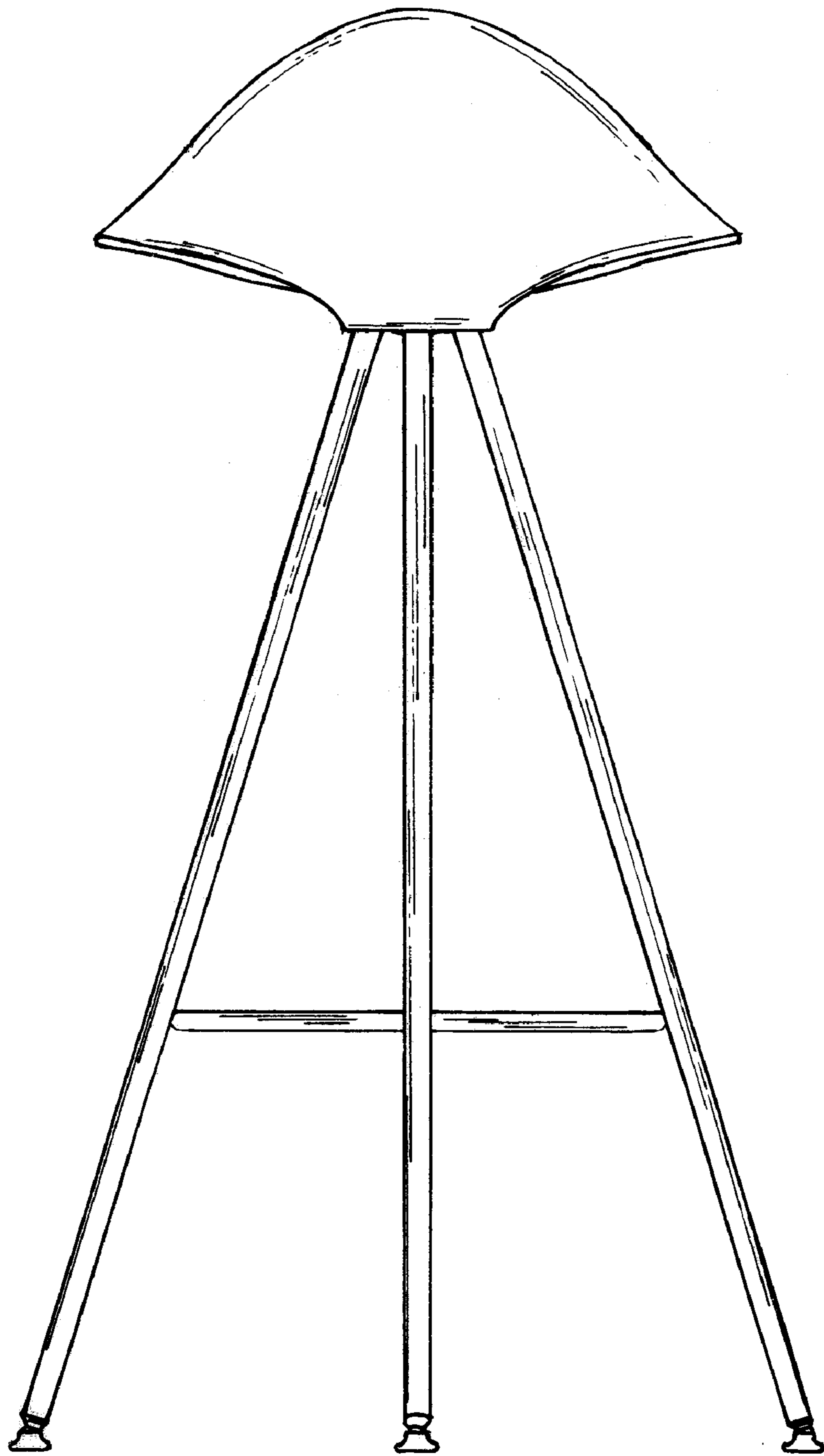


Fig. 2

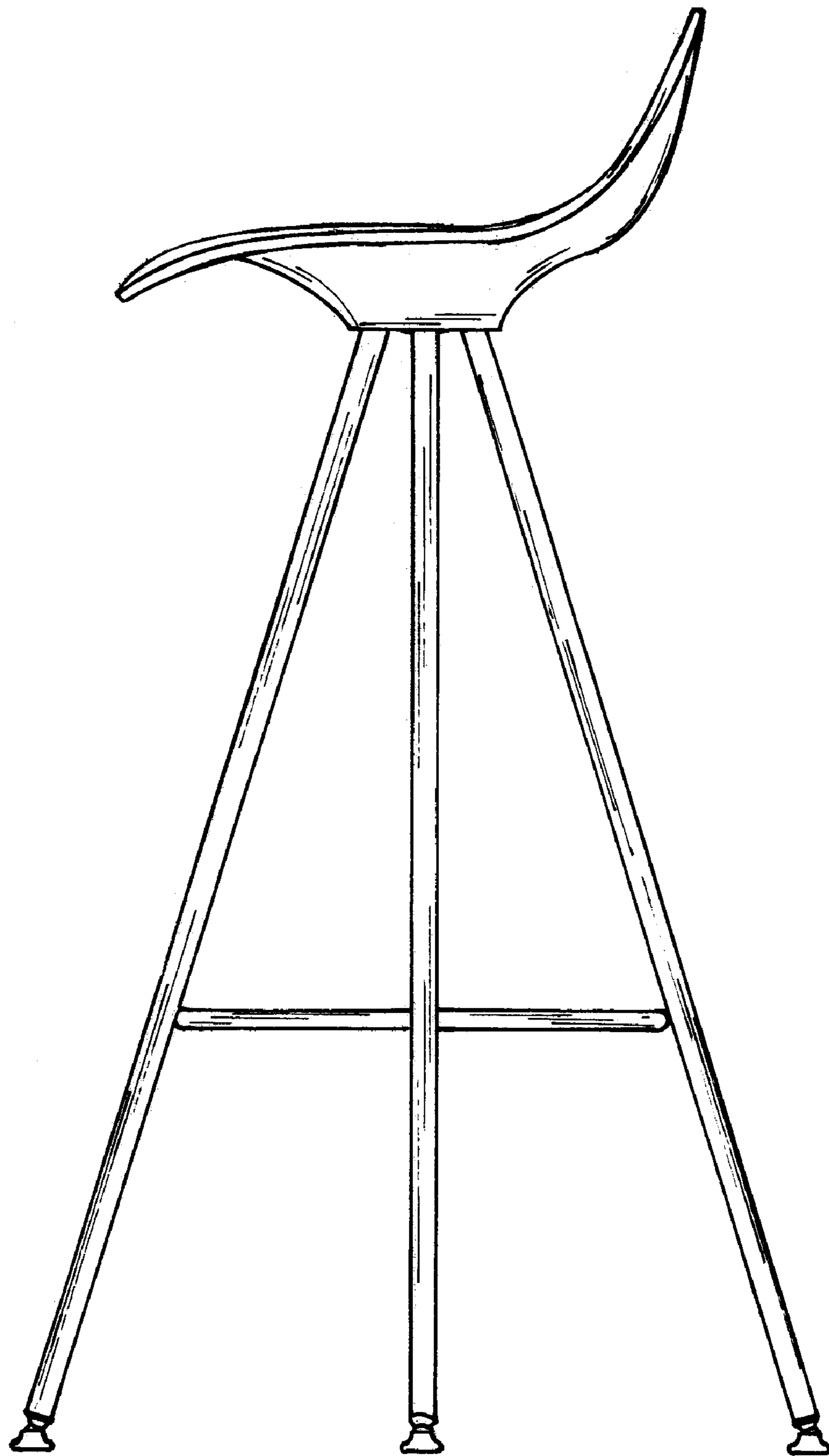


Fig. 3

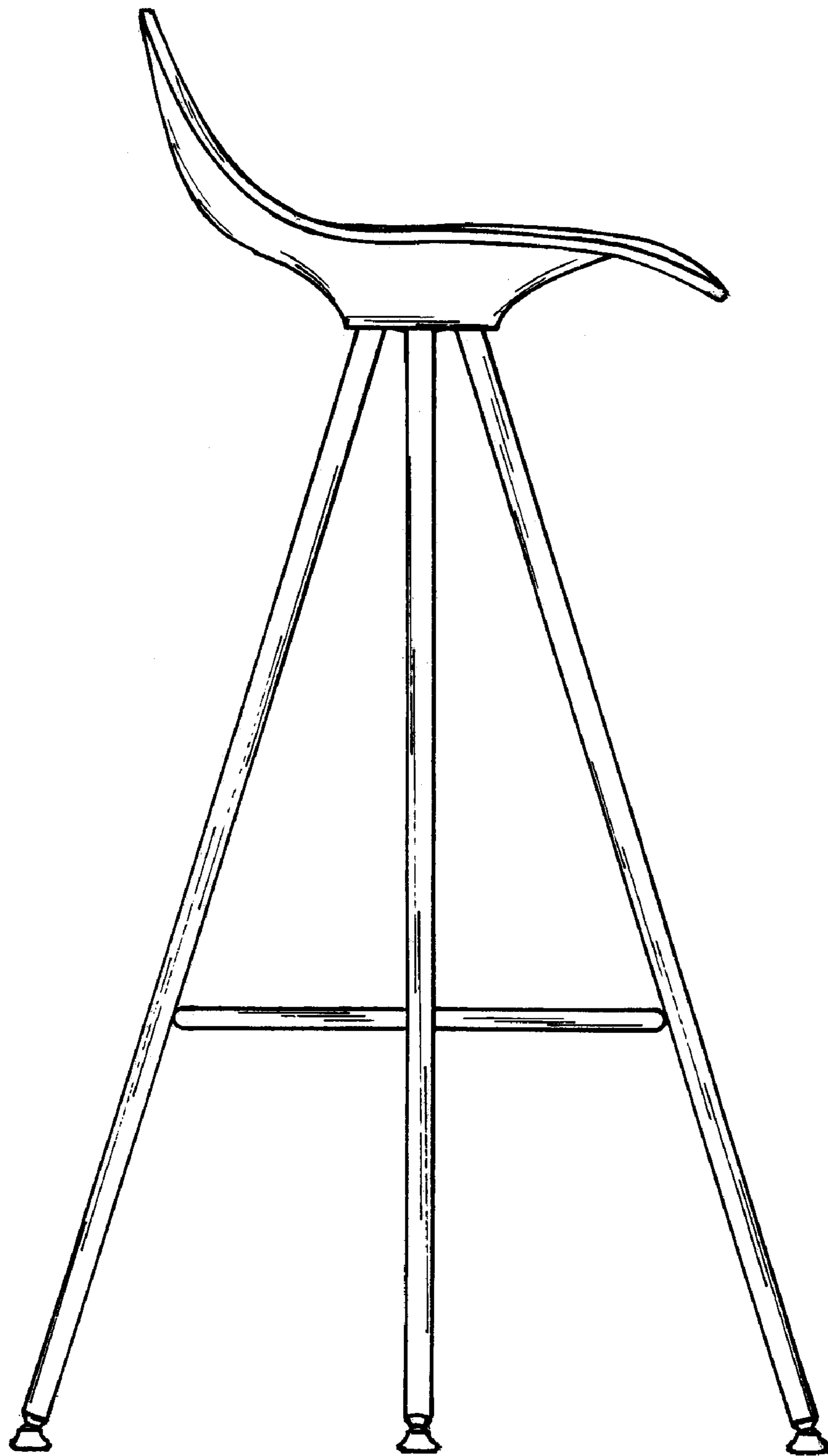


Fig. 4

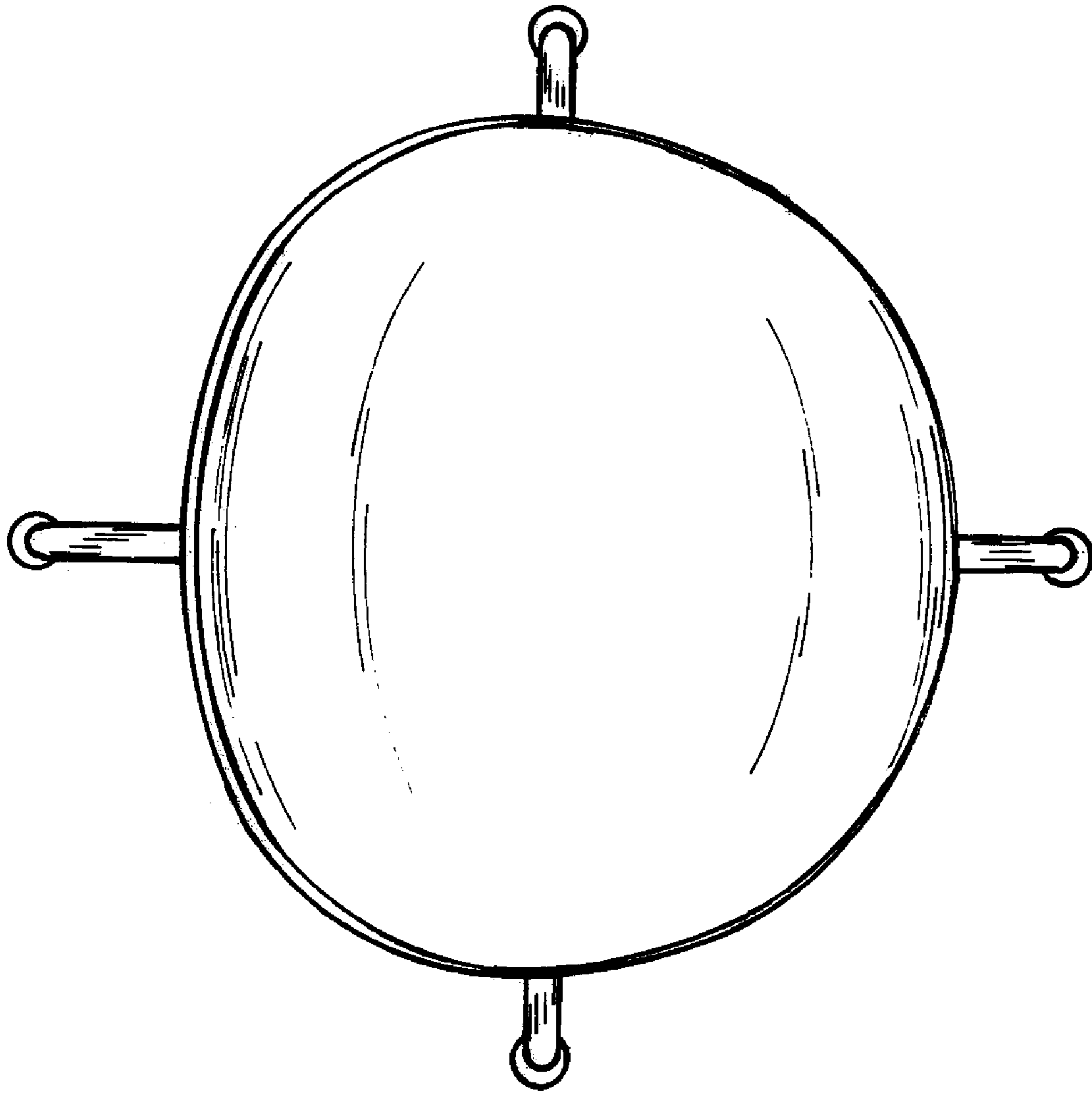


Fig. 5

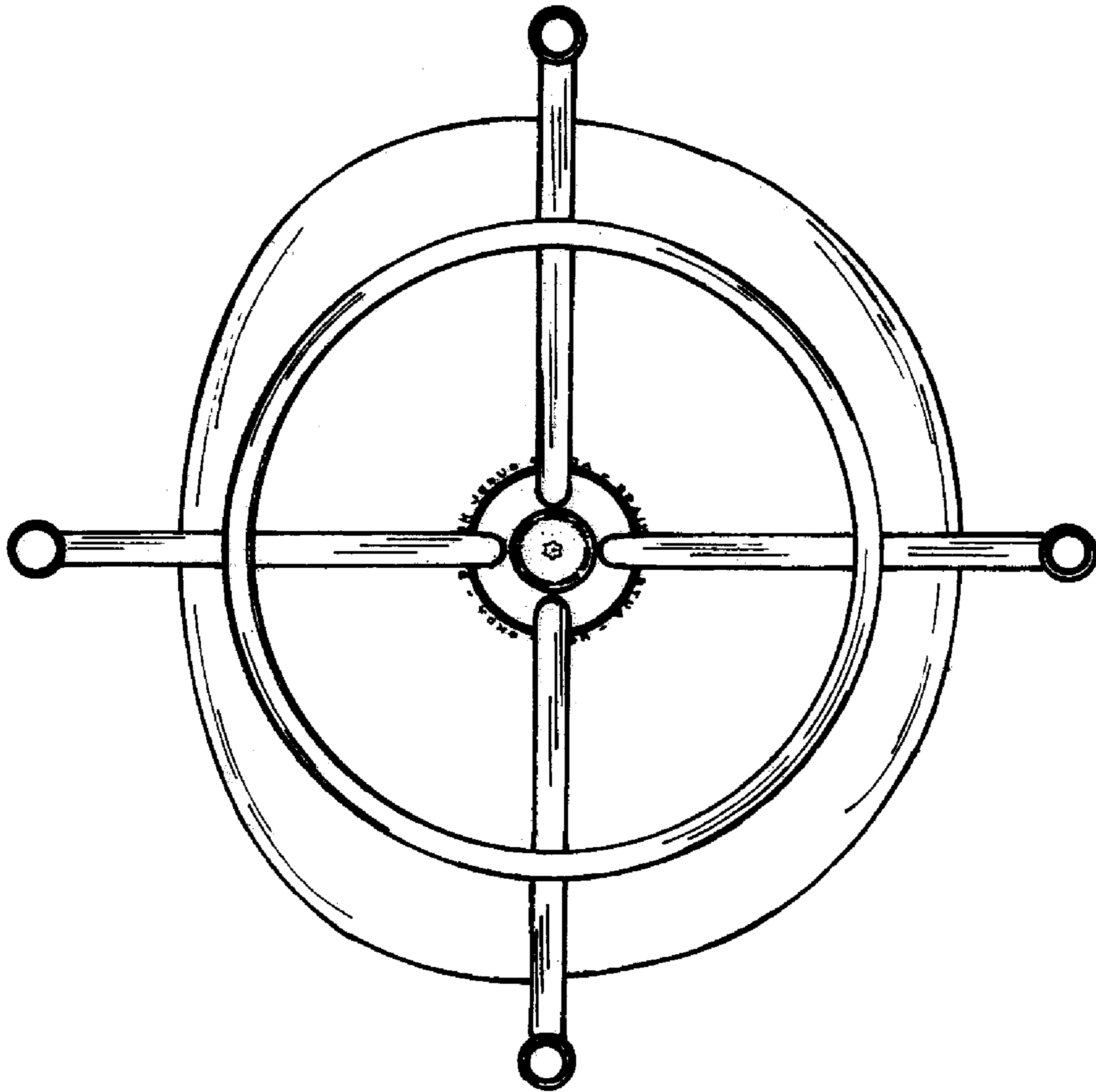


Fig. 6

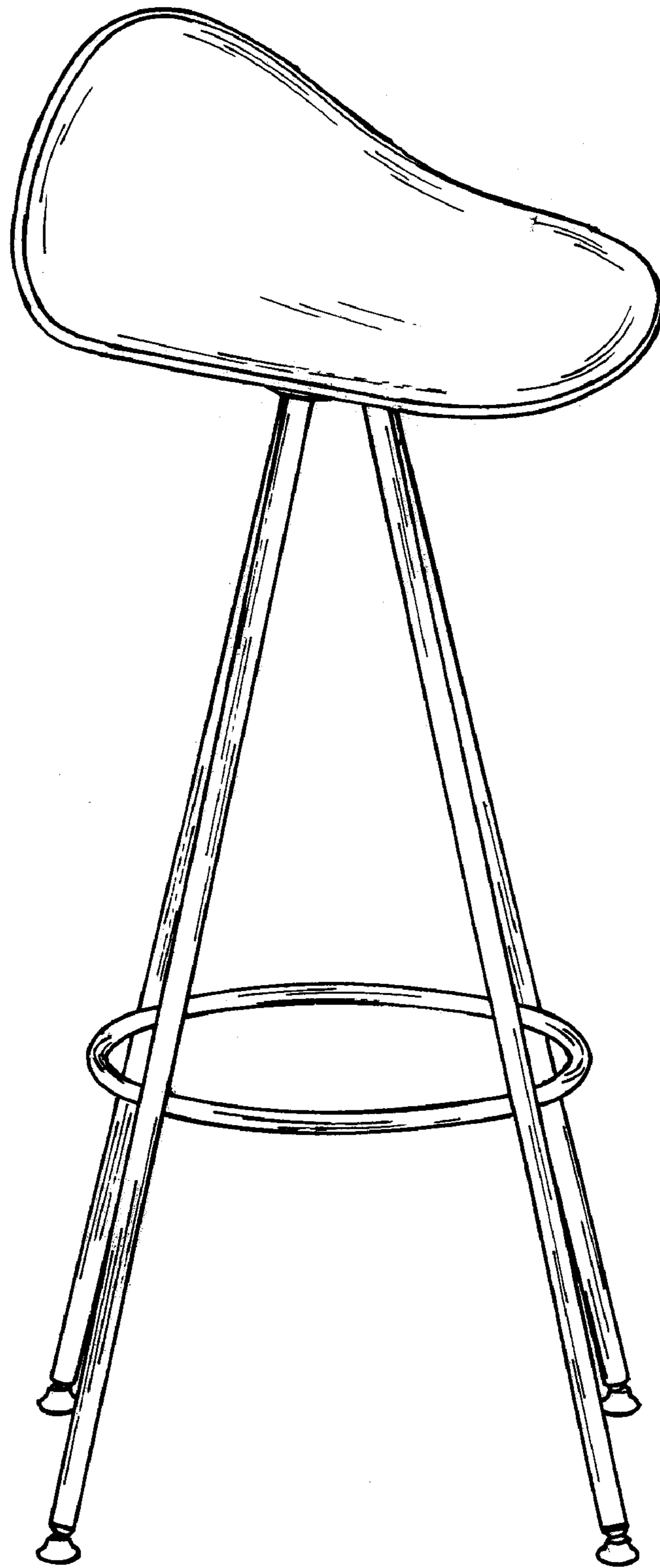


Fig. 7