

US00D535826S

(12) **United States Design Patent**
Toghianian

(10) **Patent No.:** **US D535,826 S**

(45) **Date of Patent:** **** Jan. 30, 2007**

(54) **PAINTING EASEL**

(76) Inventor: **Johnny Toghianian**, 1021 6th St., #203,
Santa Monica, CA (US) 90403

(**) Term: **14 Years**

(21) Appl. No.: **29/241,777**

(22) Filed: **Oct. 31, 2005**

(51) **LOC (8) Cl.** **06-07**

(52) **U.S. Cl.** **D6/300**

(58) **Field of Classification Search** D6/300,
D6/310, 312; 248/448, 449, 456, 454, 455,
248/441.1; D19/52

See application file for complete search history.

(56) **References Cited**

U.S. PATENT DOCUMENTS

2,059,525	A *	11/1936	Huelsdonk	248/449
3,006,107	A *	10/1961	Tolegian	248/449
D271,454	S *	11/1983	Forte	D6/312
4,610,414	A *	9/1986	Schuck	248/449
D296,160	S *	6/1988	Rhodes	D6/300
5,004,204	A *	4/1991	Cook	248/449
5,494,251	A *	2/1996	Katz	248/449
D367,767	S *	3/1996	Rhodes	D6/312
6,745,988	B2 *	6/2004	Gelfand	248/460

* cited by examiner

Primary Examiner—Caron D. Veynar

Assistant Examiner—Sydney R. Buffalow

(74) *Attorney, Agent, or Firm*—Kelly Lowry & Kelley, LLP

(57) **CLAIM**

The ornamental design for a painting easel, as shown and described.

DESCRIPTION

FIG. 1 is a front and right side perspective view of a painting easel embodying my new design;
 FIG. 2 is a front elevational view thereof;
 FIG. 3 is a rear elevational view thereof;
 FIG. 4 is a right side elevational view thereof;
 FIG. 5 is a left side elevational view thereof;
 FIG. 6 is a top plan view thereof;
 FIG. 7 is a bottom plan view thereof;
 FIG. 8 is a front and right side perspective view similar to FIG. 1 illustrating an alternate configuration thereof;
 FIG. 9 is a perspective view similar to FIGS. 1 and 8, illustrating another perspective view thereof; and,
 FIG. 10 is a perspective view similar to FIGS. 1, 8 and 9 illustrating yet another alternative configuration thereof.

1 Claim, 7 Drawing Sheets

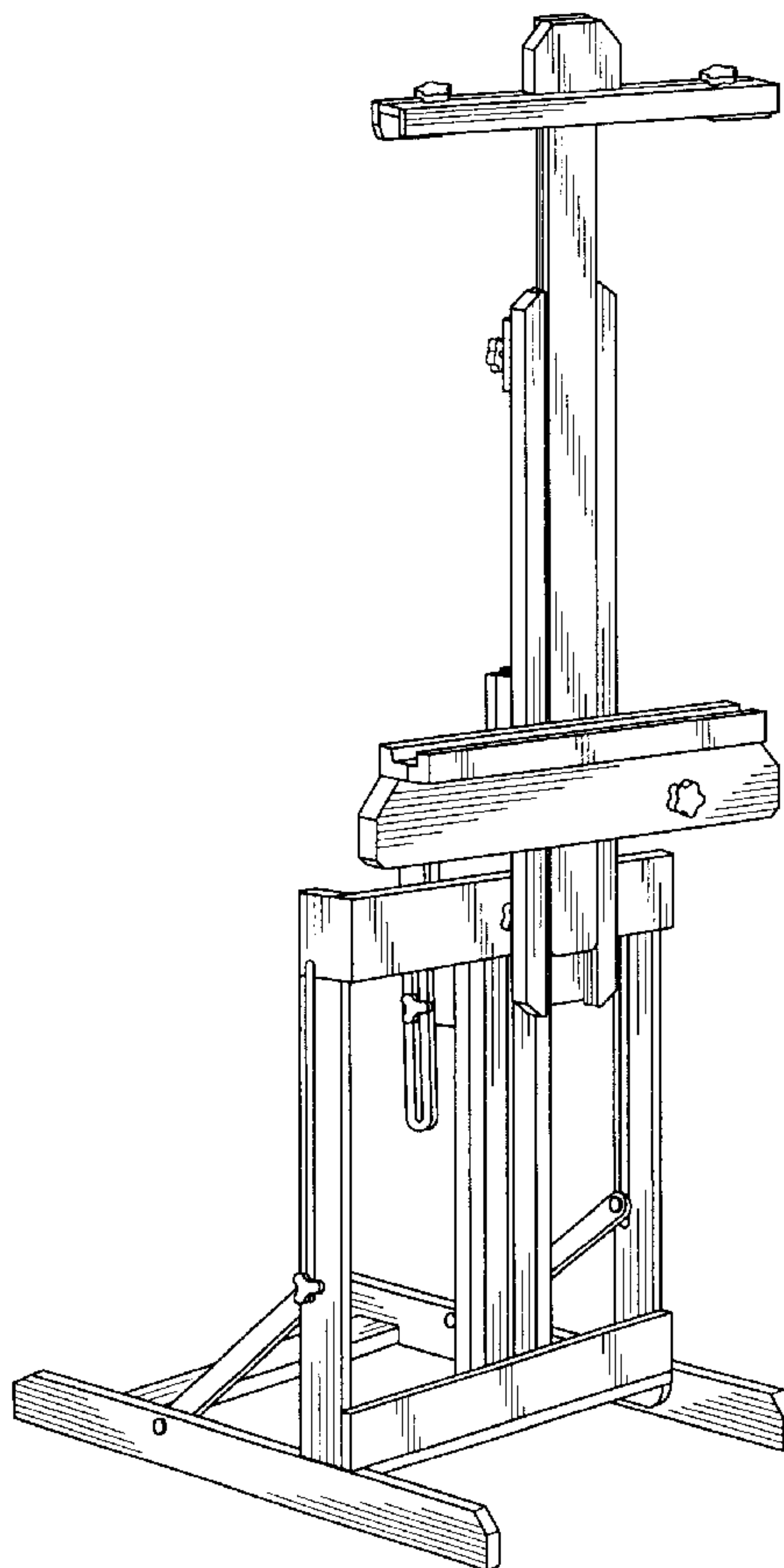
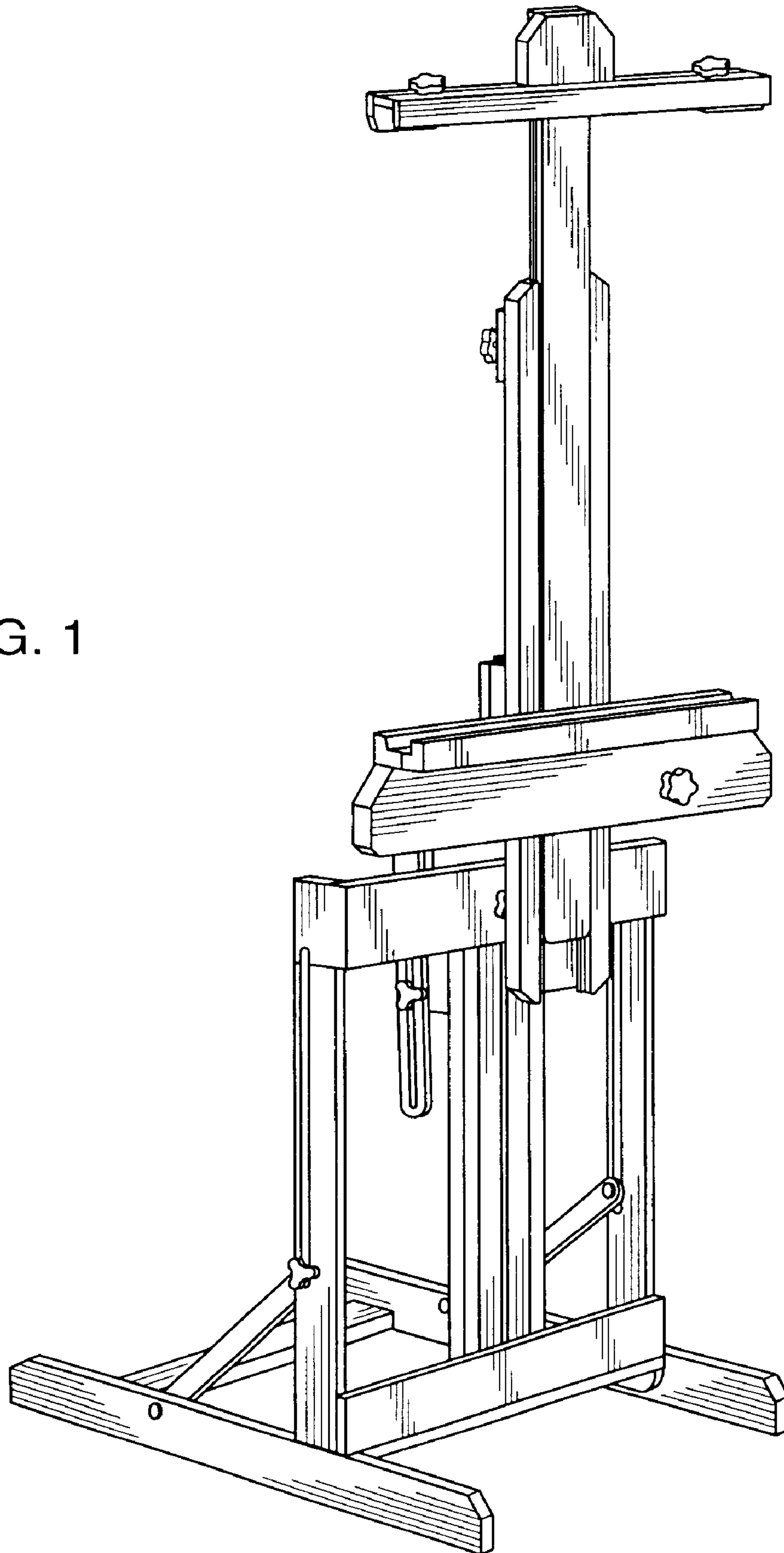


FIG. 1



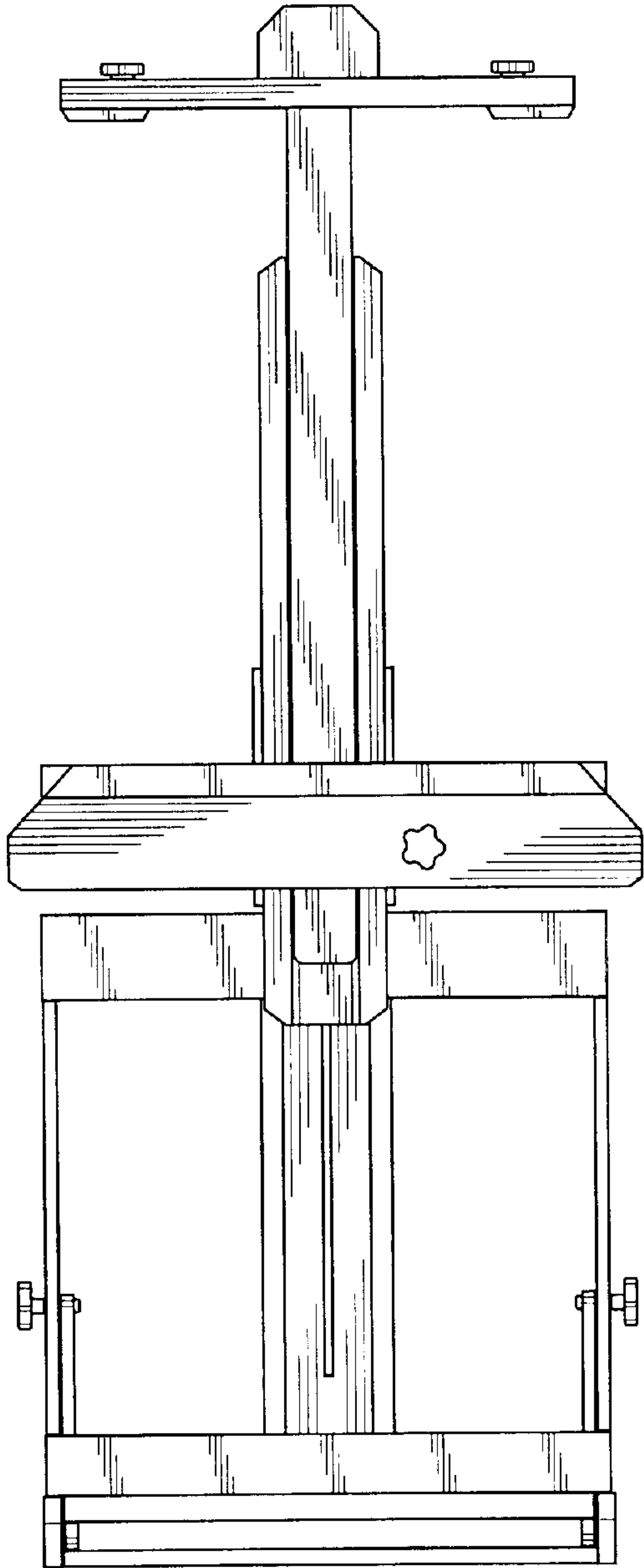


FIG. 2

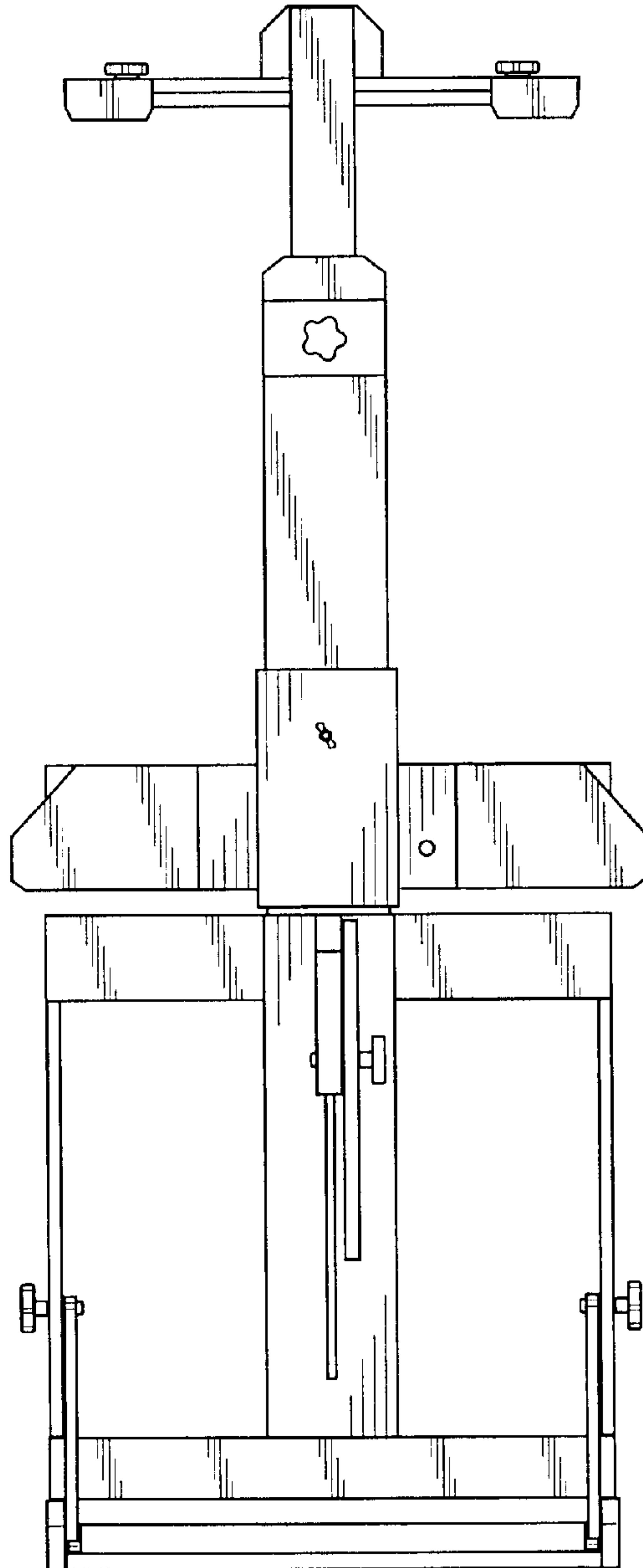


FIG. 3

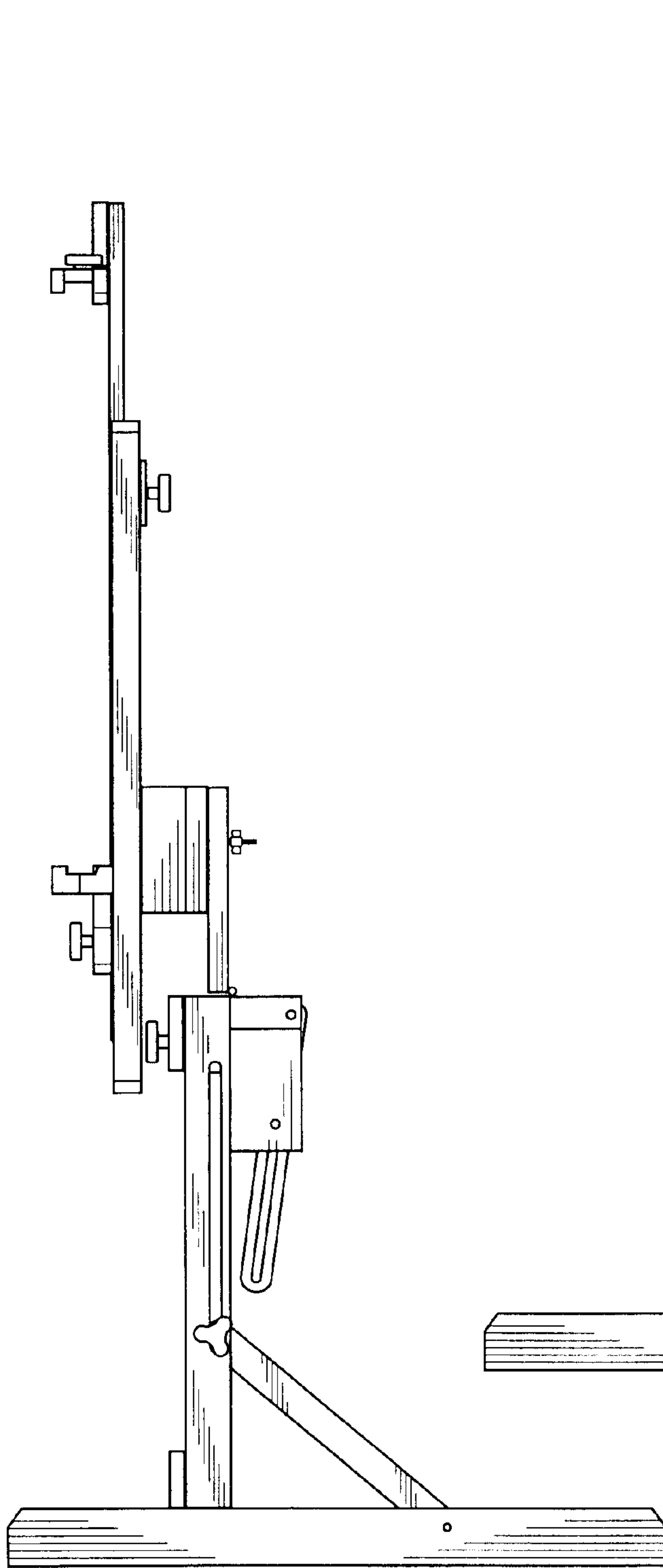


FIG. 5

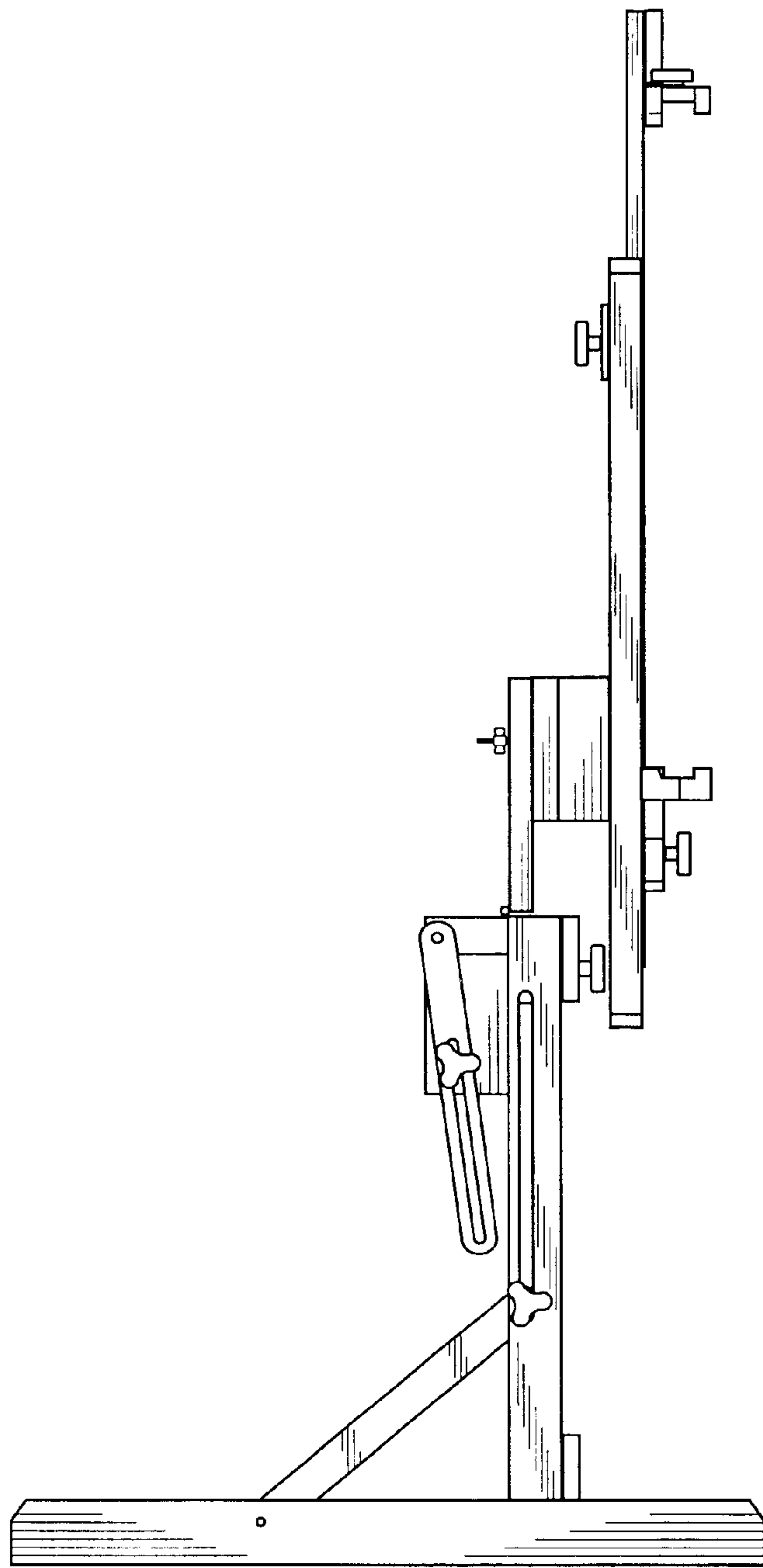


FIG. 4

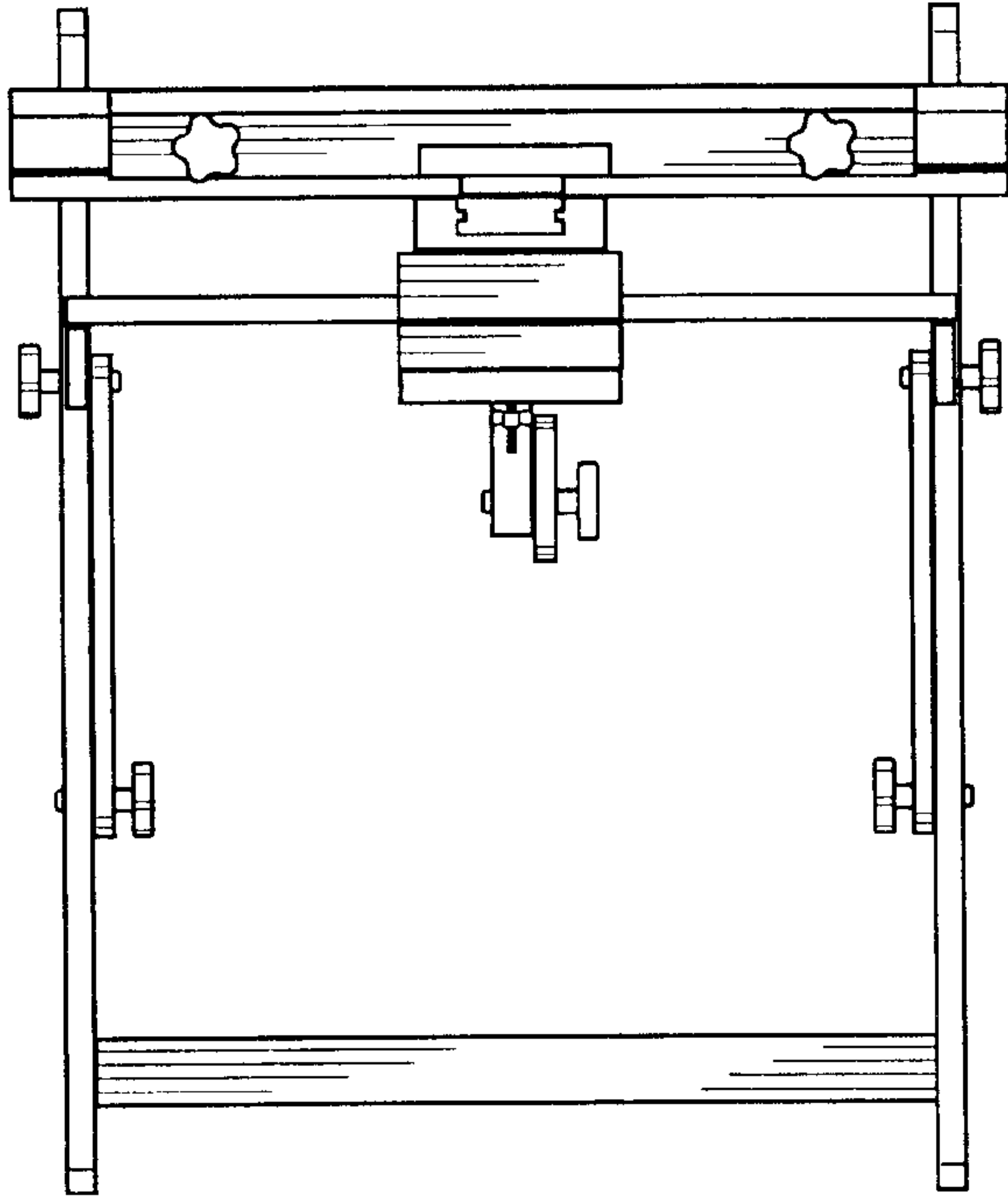


FIG. 6

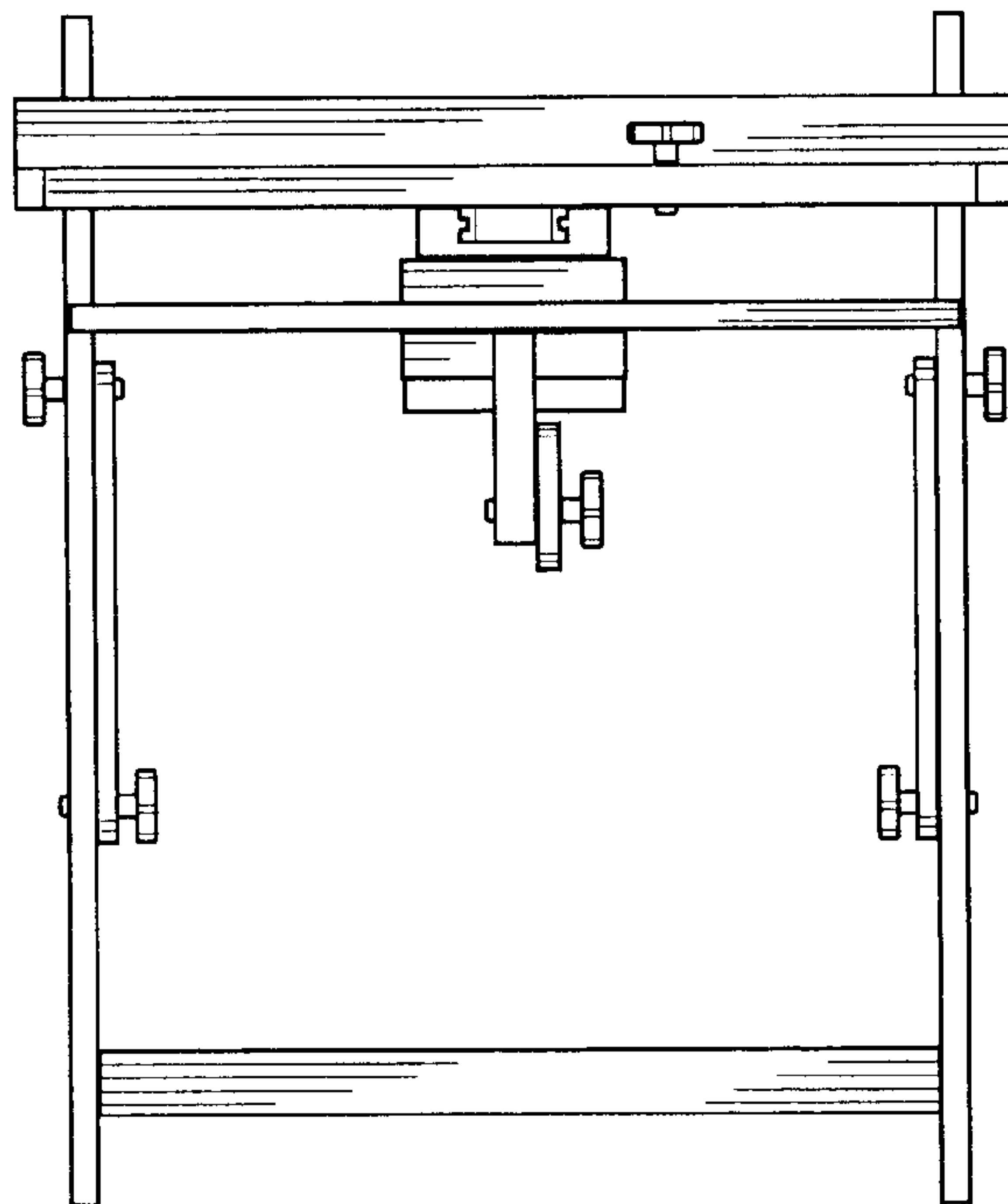


FIG. 7

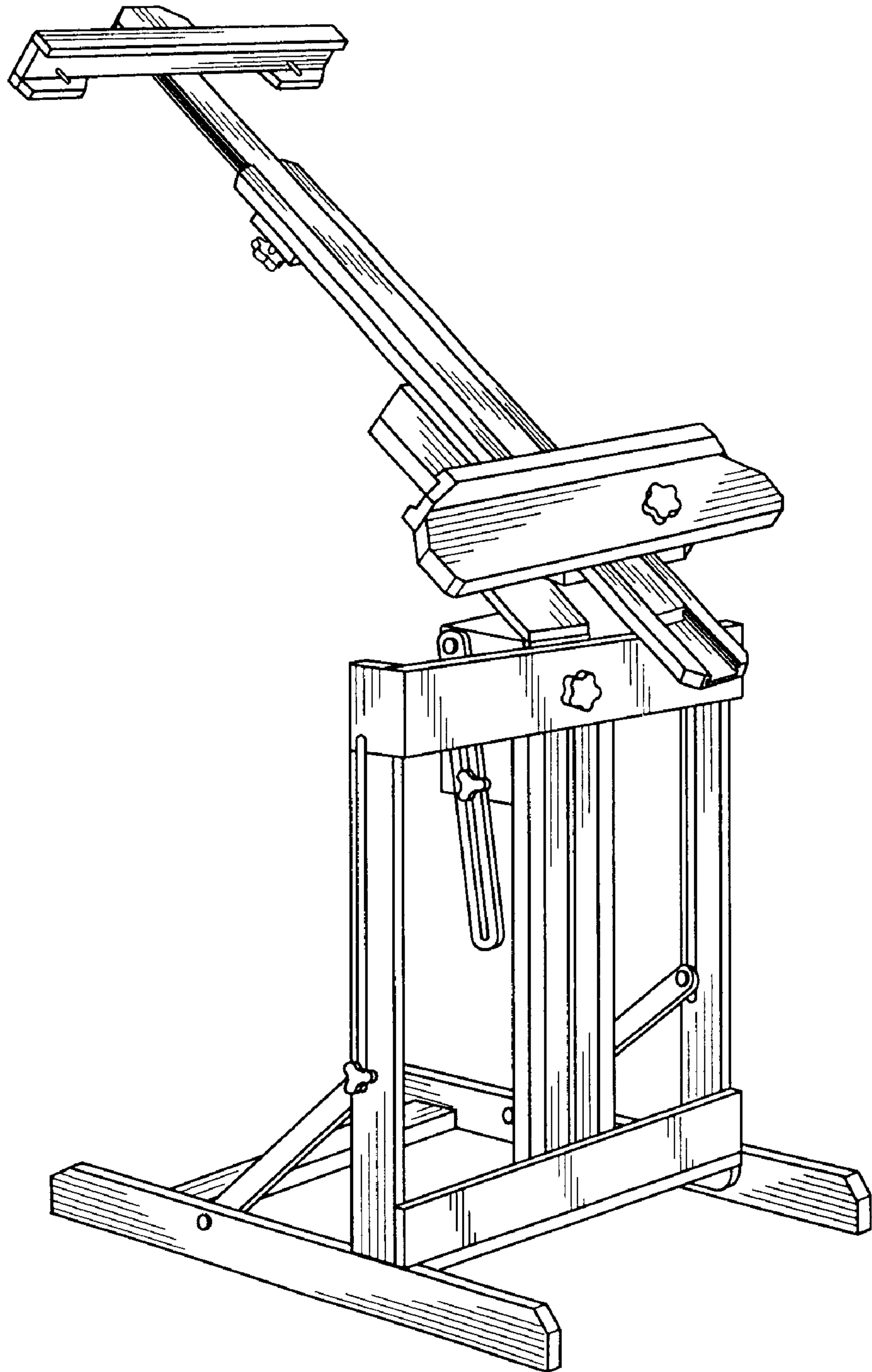


FIG. 8

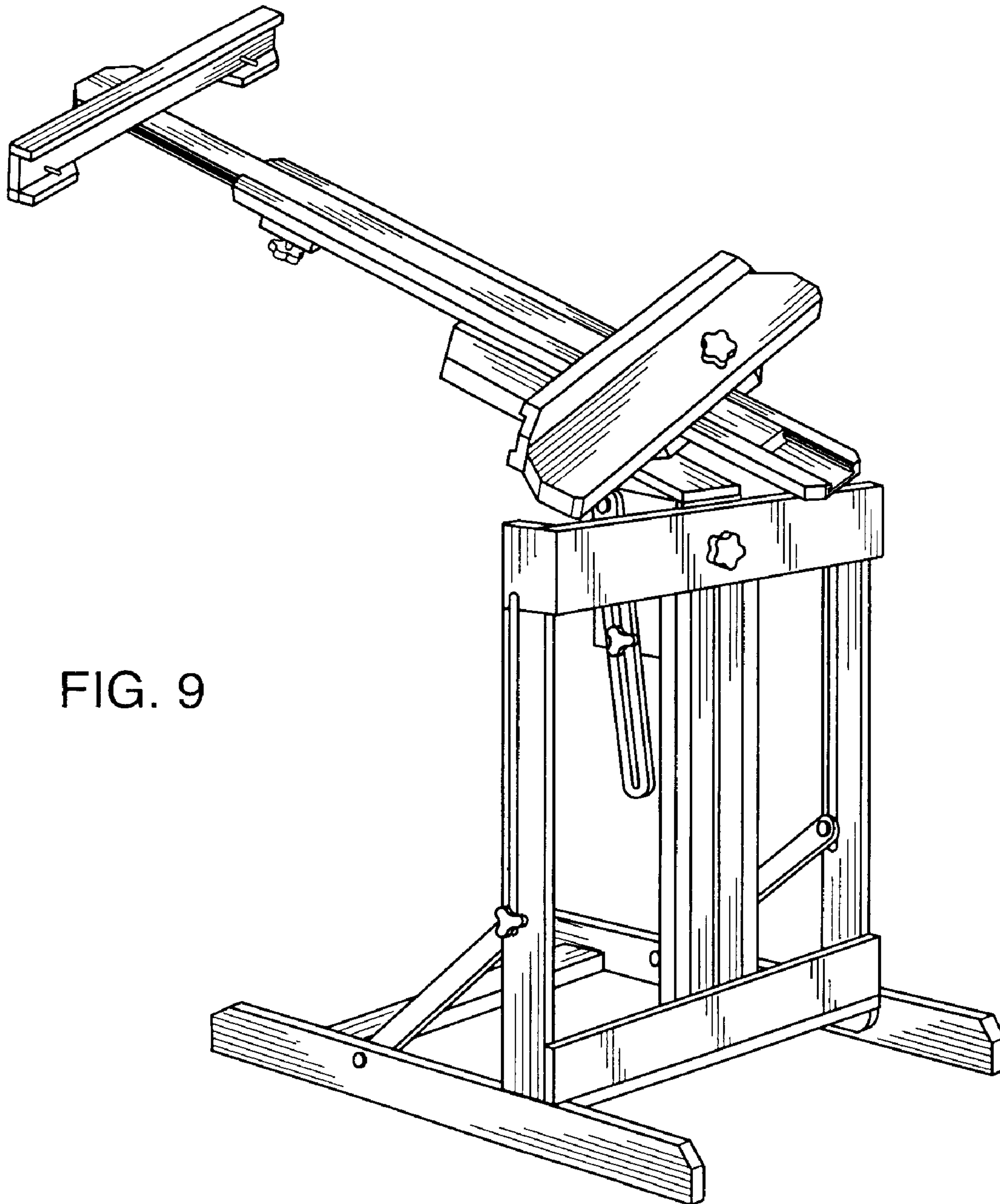


FIG. 9

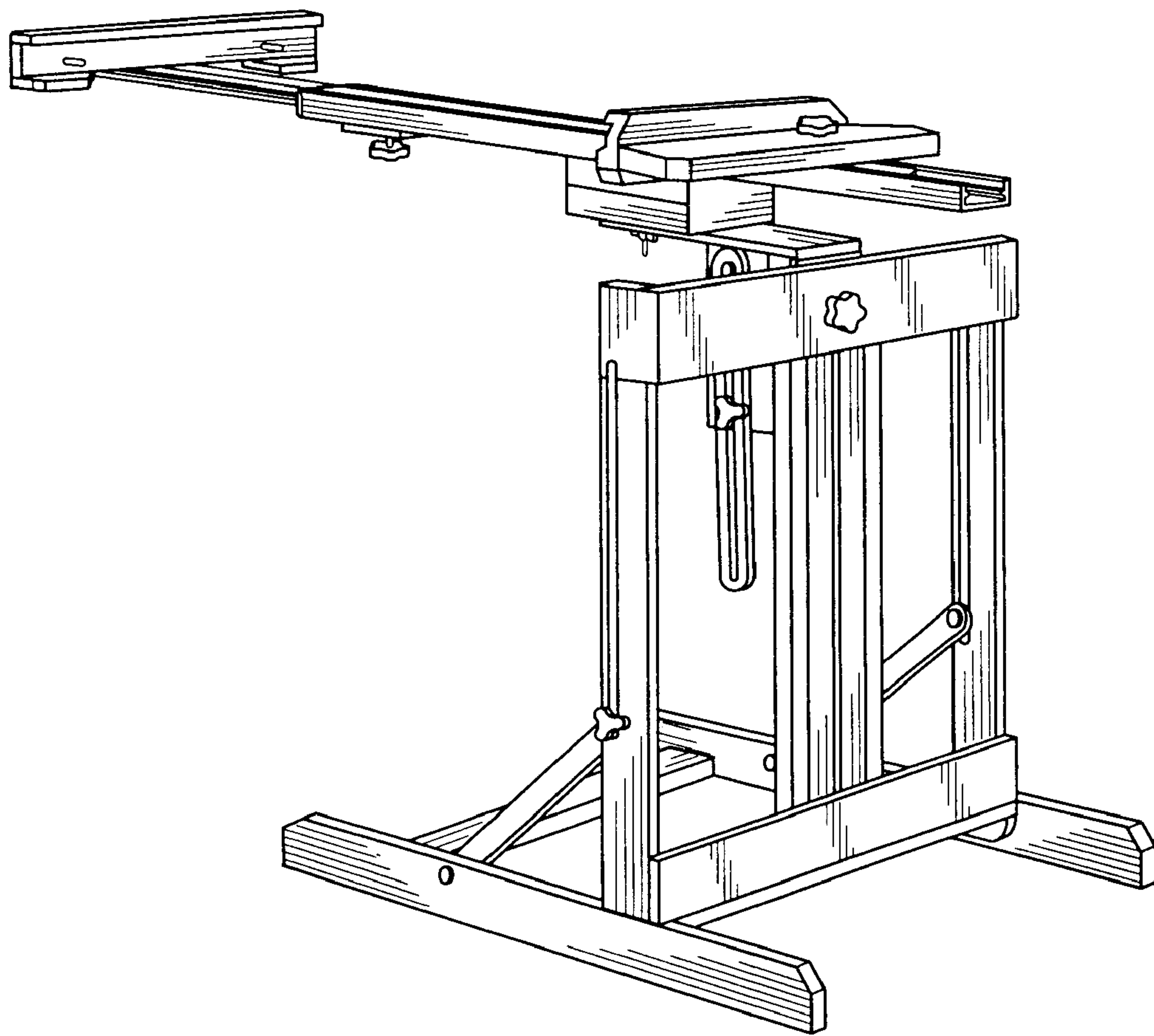


FIG. 10