



US00D535821S

(12) **United States Design Patent**
Chen et al.

(10) **Patent No.:** **US D535,821 S**
(45) **Date of Patent:** **** Jan. 30, 2007**

(54) **TOOL HOLDER**

(75) Inventors: **Peter Chen**, West Windsor, NJ (US);
Kevin Hui-Lien Lee, East Brunswick,
NJ (US); **Jungkun Lee**, Edison, NJ
(US)

(73) Assignee: **Officemate International Corp.**,
Edison, NJ (US)

(**) Term: **14 Years**

(21) Appl. No.: **29/205,142**

(22) Filed: **May 10, 2004**

(51) **LOC (8) Cl.** **03-01**

(52) **U.S. Cl.** **D3/304**; D19/85

(58) **Field of Classification Search** D3/316,
D3/315, 293, 304; D34/7, 1; D7/509; D6/553,
D6/525; D19/85

See application file for complete search history.

(56) **References Cited**

U.S. PATENT DOCUMENTS

D326,754 S	*	6/1992	Hradisky	D34/7
D333,196 S	*	2/1993	Dziersk et al.	D34/1
D333,369 S	*	2/1993	Breen et al.	D34/10
D362,525 S	*	9/1995	Kruger	D34/1
D417,573 S	*	12/1999	Hampshire	D6/525
D419,808 S	*	2/2000	Hampshire	D6/553

D452,356 S	*	12/2001	Zimmerman	D34/7
D462,838 S	*	9/2002	Van Landingham	D3/304
D462,902 S	*	9/2002	Gittins et al.	D9/430
D463,085 S	*	9/2002	Sofy	D34/7
D501,886 S	*	2/2005	Chen et al.	D19/85
D516,996 S	*	3/2006	Andrews	D12/420
D524,692 S	*	7/2006	Brandstatter	D11/155

* cited by examiner

Primary Examiner—Louis S. Zarfaz

Assistant Examiner—Eric L Goodman

(74) *Attorney, Agent, or Firm*—Daniel Kirshner

(57) **CLAIM**

The ornamental design for a tool holder, as shown and described.

DESCRIPTION

FIG. 1 is a front perspective view of the tool holder showing the design;

FIG. 2 is a front elevational view thereof;

FIG. 3 is a back elevational view thereof;

FIG. 4 is top plan view thereof;

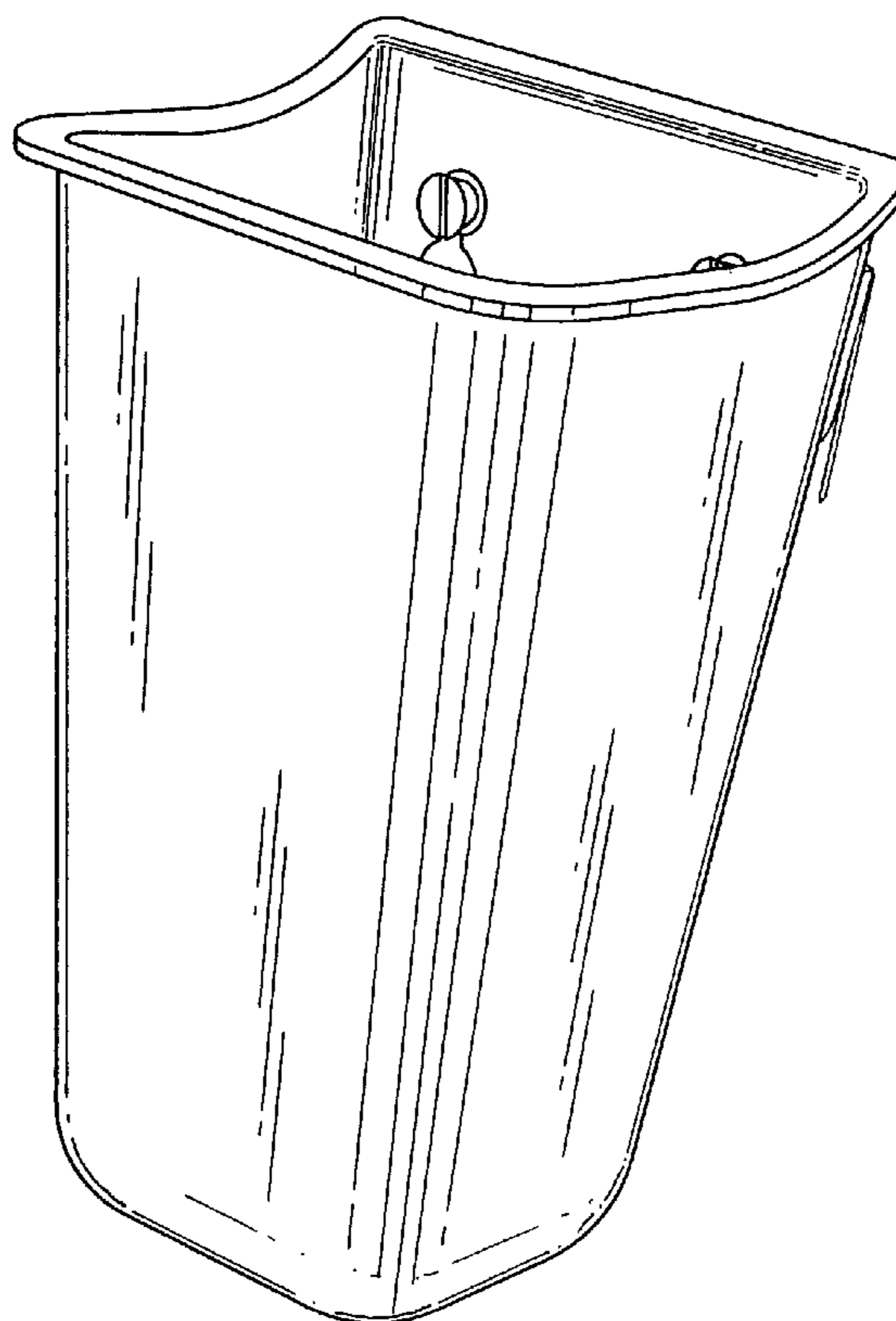
FIG. 5 is a bottom plan view thereof;

FIG. 6 is a left side elevational view thereof;

FIG. 7 is a right side elevational view thereof; and,

FIG. 8 is a front perspective view thereof showing the attachment devices detached.

1 Claim, 5 Drawing Sheets



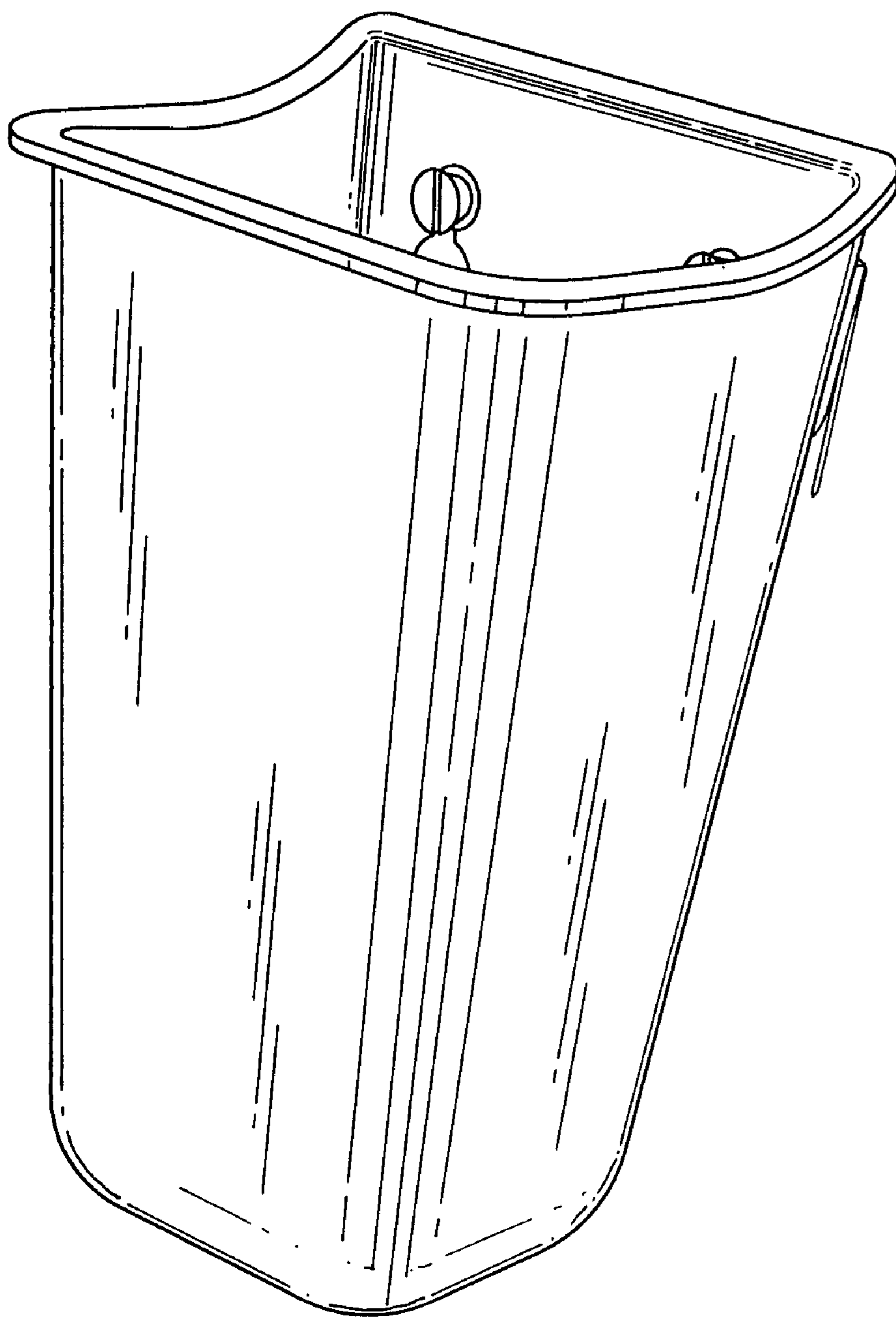


FIG. 1

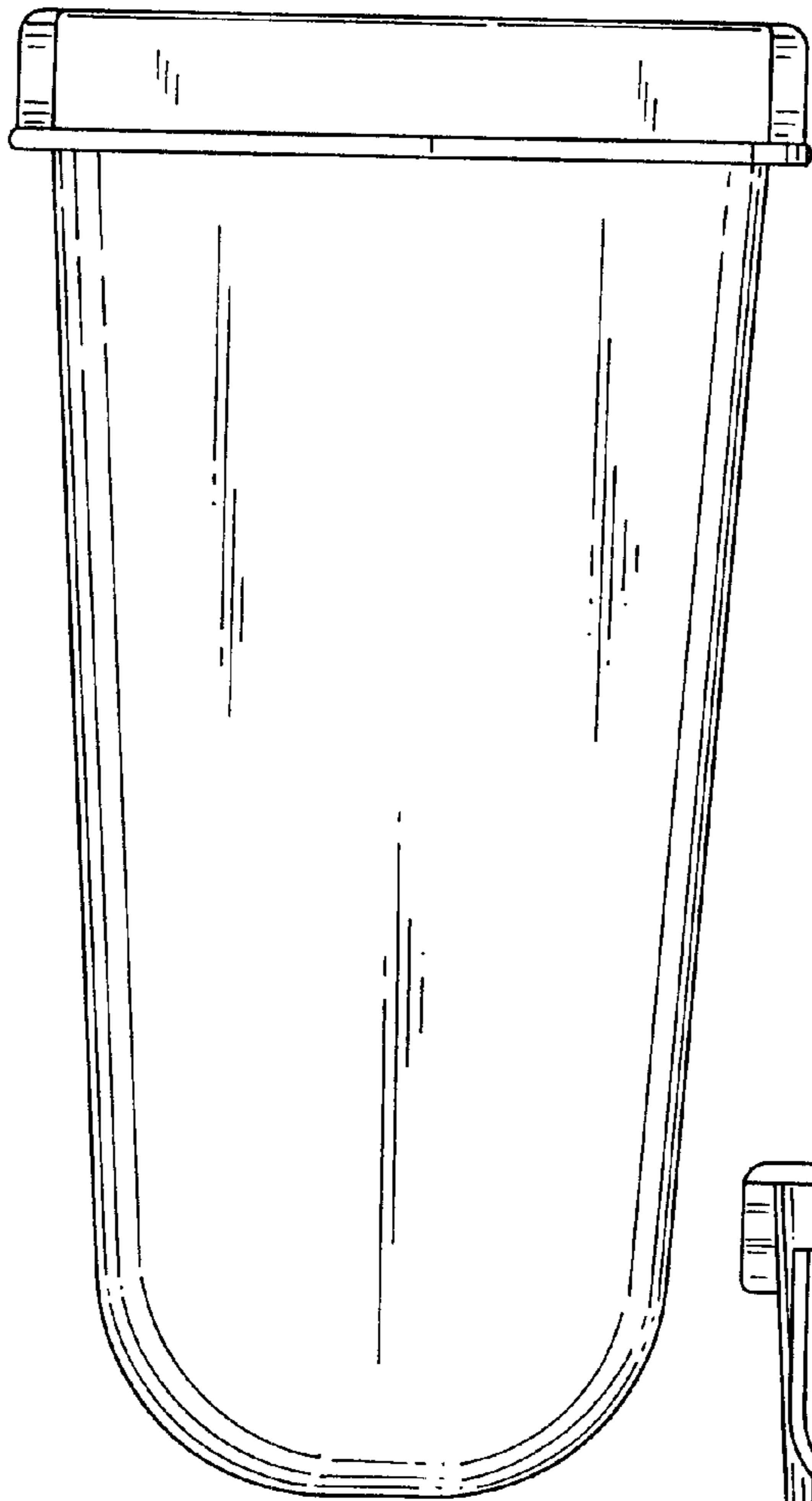


FIG. 2

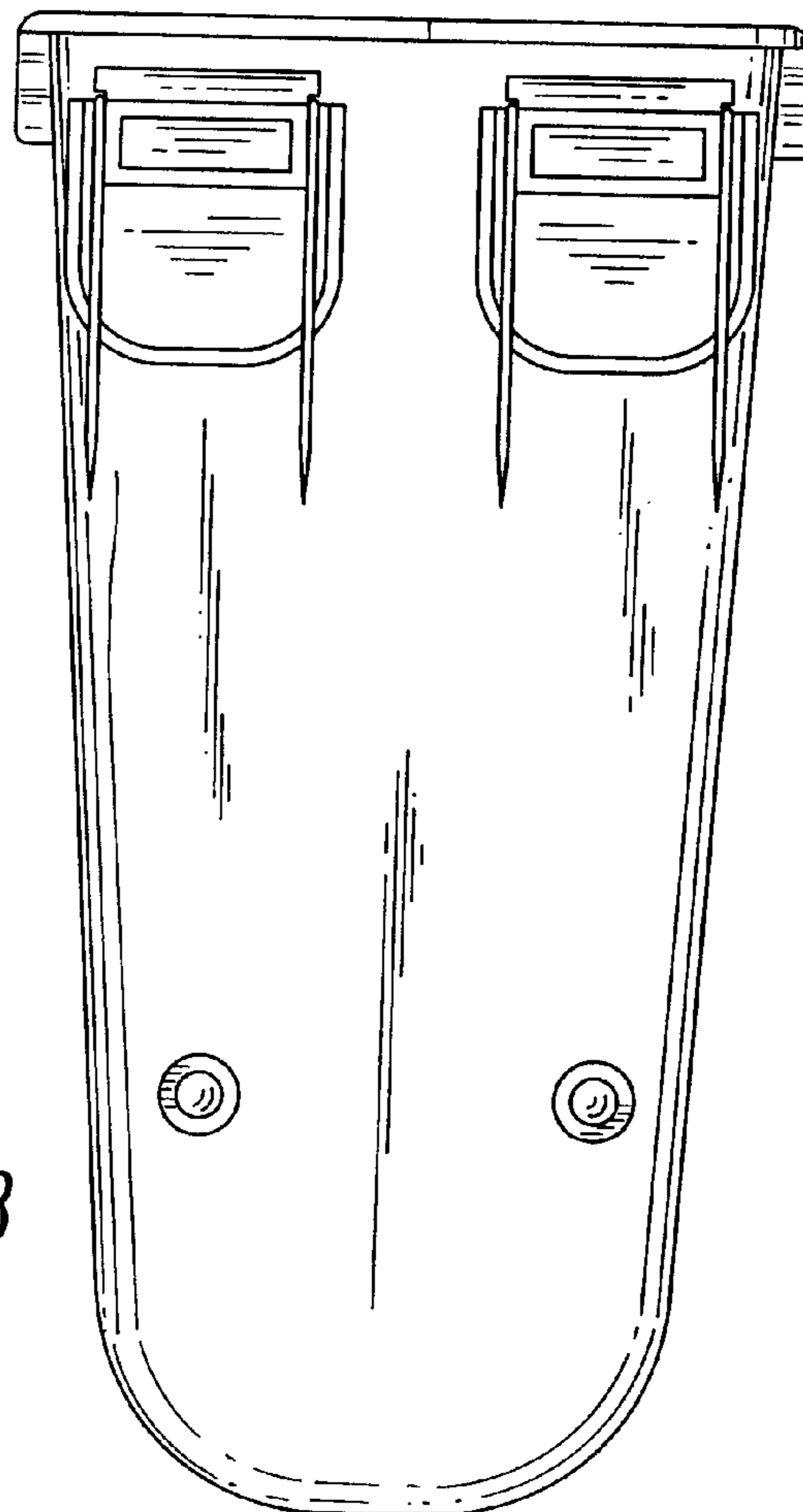


FIG. 3

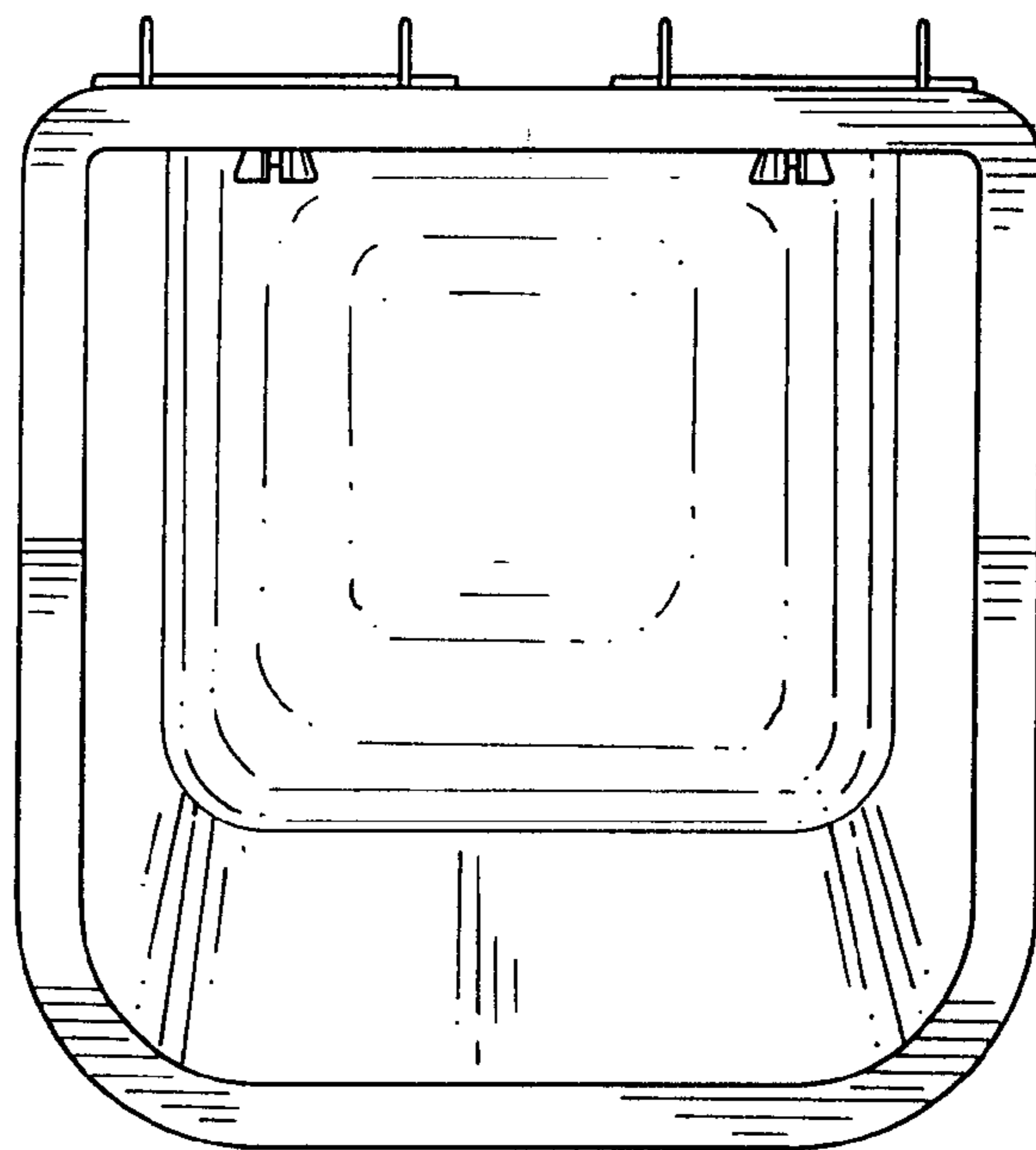


FIG. 4

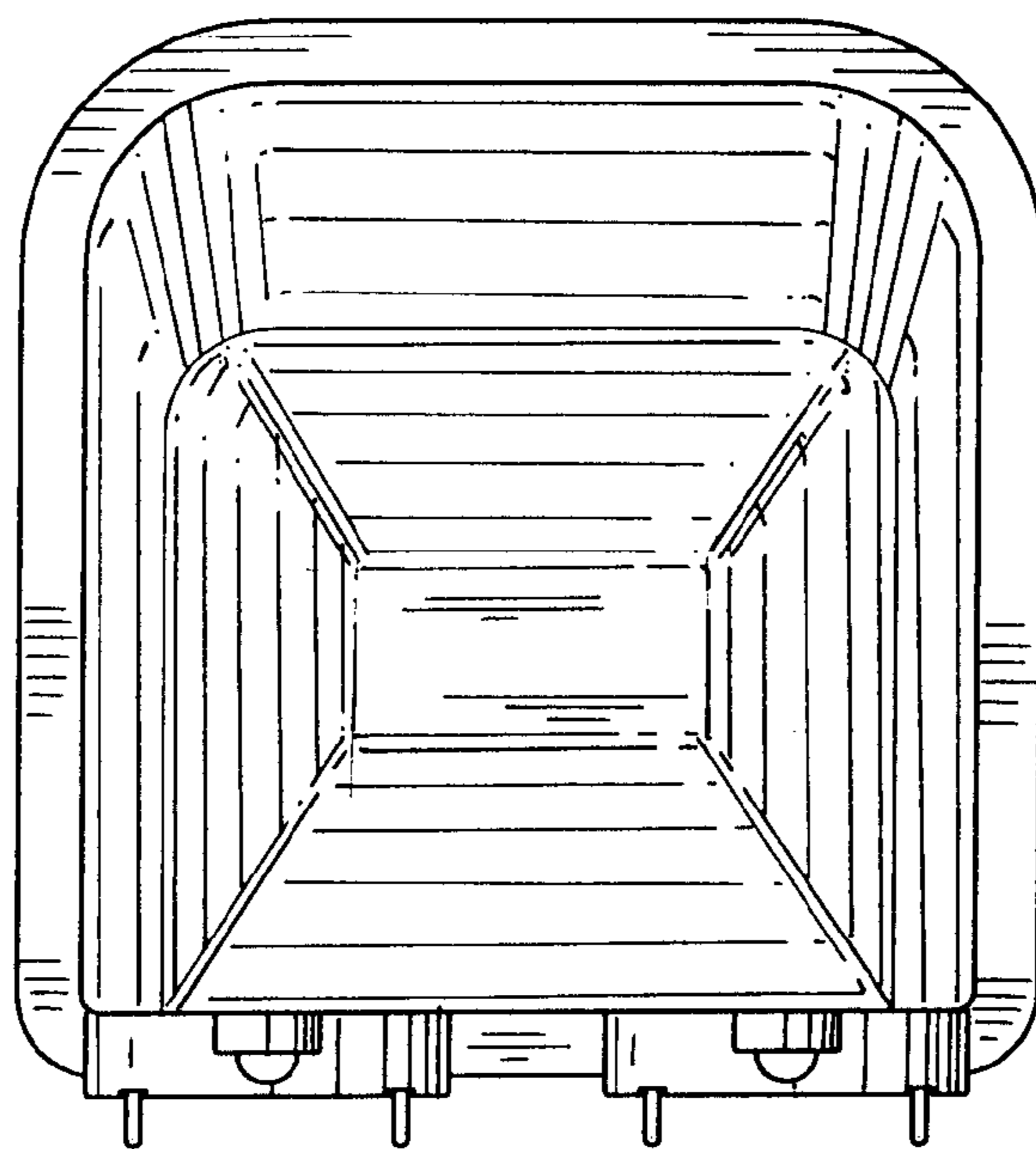


FIG. 5

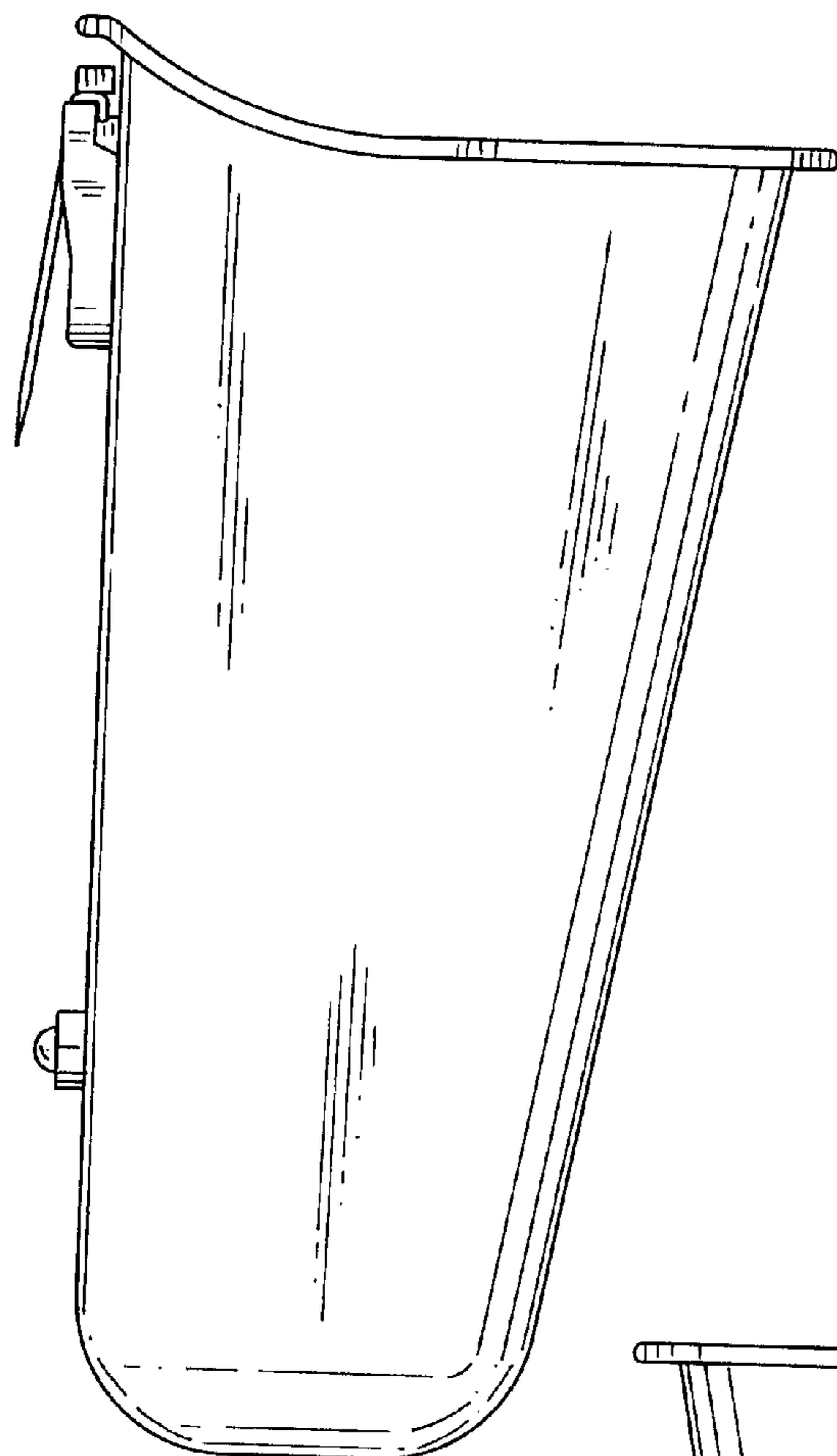


FIG. 6

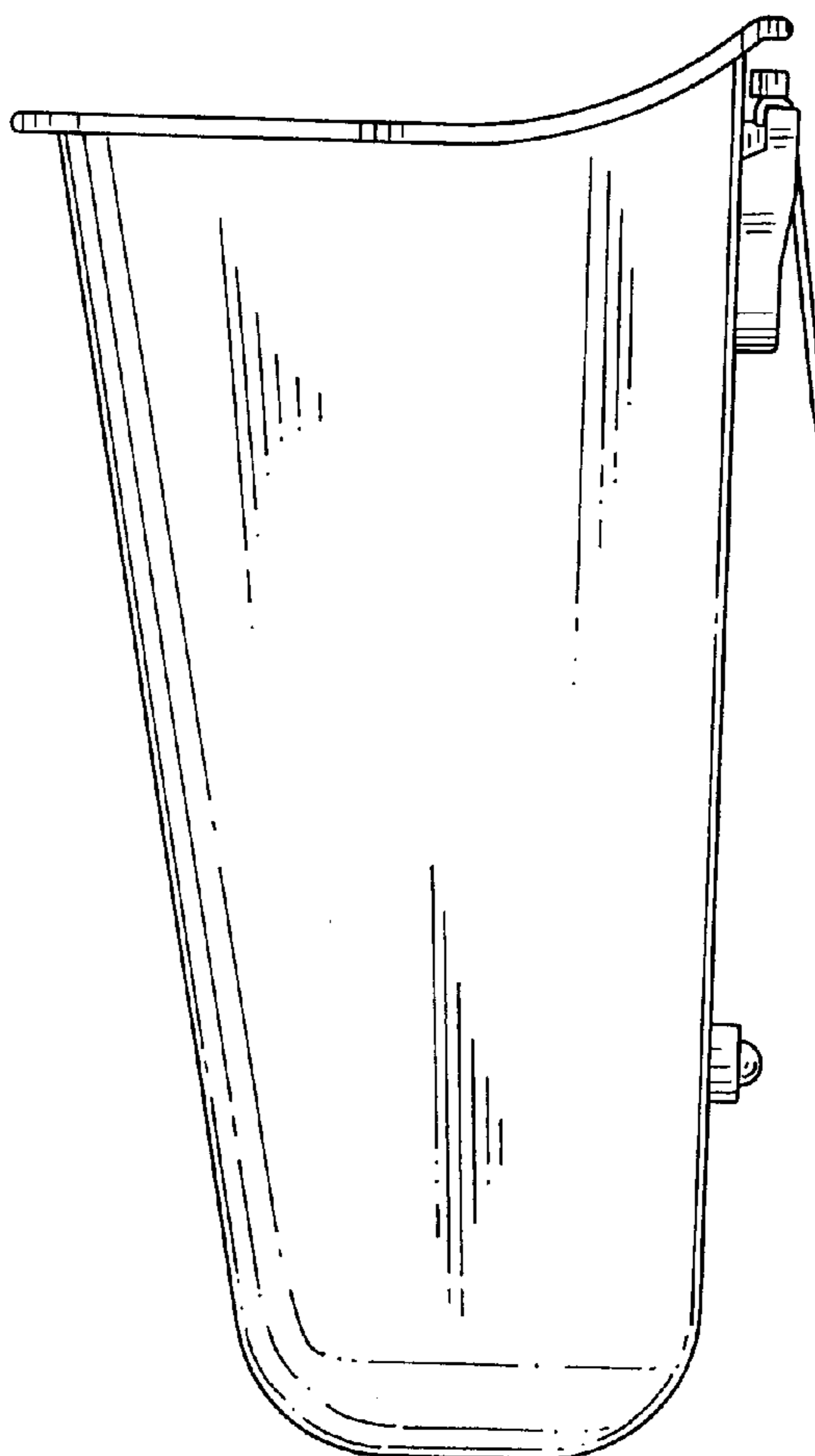


FIG. 7

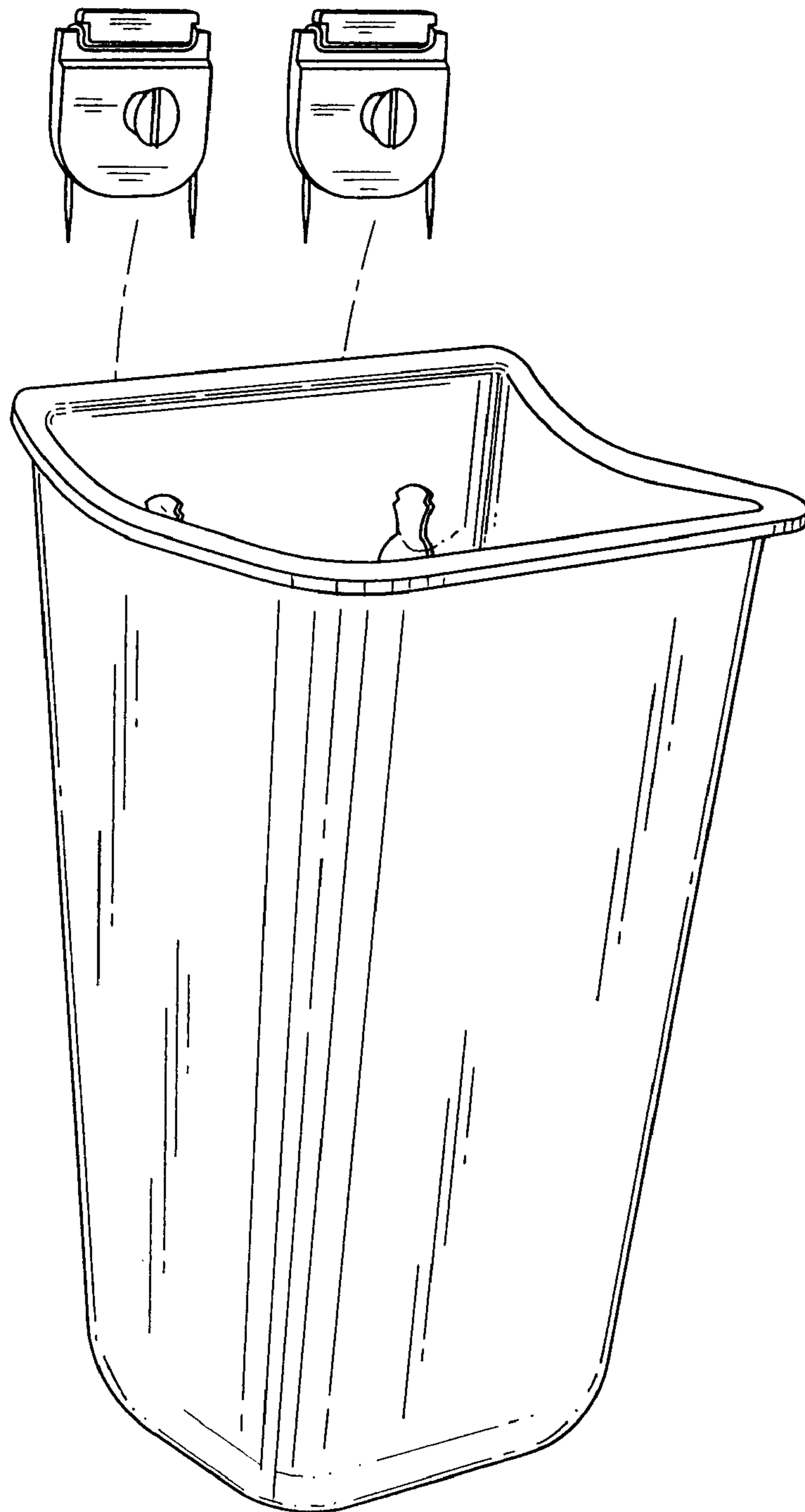


FIG. 8