



US00D535820S

(12) **United States Design Patent**
Kamiya

(10) **Patent No.:** **US D535,820 S**

(45) **Date of Patent:** **** Jan. 30, 2007**

(54) **BAG**
(75) Inventor: **Takahisa Kamiya**, Shizuoka-ken (JP)
(73) Assignee: **Super Planning Co., Ltd.**, Hamamatsu (JP)
(**) Term: **14 Years**

(21) Appl. No.: **29/238,154**
(22) Filed: **Sep. 13, 2005**

(30) **Foreign Application Priority Data**

Mar. 14, 2005 (JP) 2005-007606

(51) **LOC (8) Cl.** **03-01**
(52) **U.S. Cl.** **D3/246**
(58) **Field of Classification Search** D3/201,
D3/205, 230–246, 900–902, 303, 315, 226,
D3/276, 289; 190/1, 100, 112, 102–110;
150/30–31, 100, 103–104, 106–115, 117–122,
150/127–128, 130; D9/654, 702–704
See application file for complete search history.

(56) **References Cited**

U.S. PATENT DOCUMENTS

D228,099 S * 8/1973 Marshall D3/290
4,062,392 A * 12/1977 Ishii 383/2
D249,392 S * 9/1978 Pelavin D3/303

D331,532 S * 12/1992 Cohen et al. D3/303
D439,041 S * 3/2001 Guyon D3/246
D491,354 S * 6/2004 Chapelier D3/246
D501,598 S * 2/2005 Guyon D3/246
D523,632 S * 6/2006 Handley D3/246

* cited by examiner

Primary Examiner—Louis S. Zarfaz
Assistant Examiner—Kathleen Sims
(74) *Attorney, Agent, or Firm*—McGinn IP Law Group, PLLC

(57) **CLAIM**

The ornamental design for a bag, as shown and described.

DESCRIPTION

FIG. 1 is a perspective view of a bag showing my design; FIG. 2 is a front elevational view thereof; FIG. 3 is a rear elevational view thereof; FIG. 4 is a top plan view thereof; FIG. 5 is a bottom plan view thereof; FIG. 6 is a left side elevational view thereof; FIG. 7 is a right side elevational view thereof; and, FIG. 8 is a perspective view showing a bag in use. The smaller broken lines shown in FIGS. 1–8 represent conventional stitching. The larger broken line showing in FIG. 8 is for illustrative purposes only and forms no part of the claimed design.

1 Claim, 8 Drawing Sheets

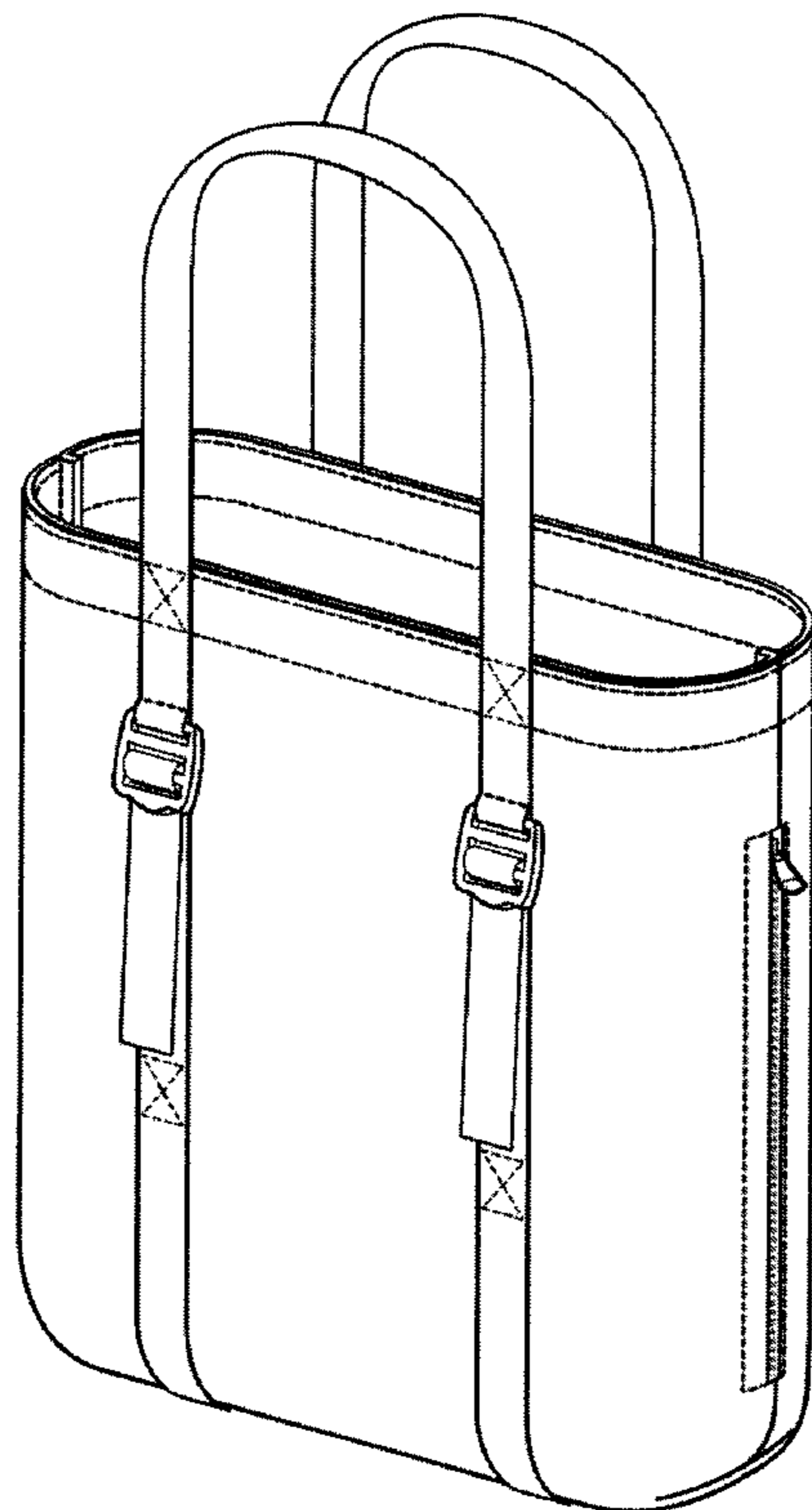


Fig. 1

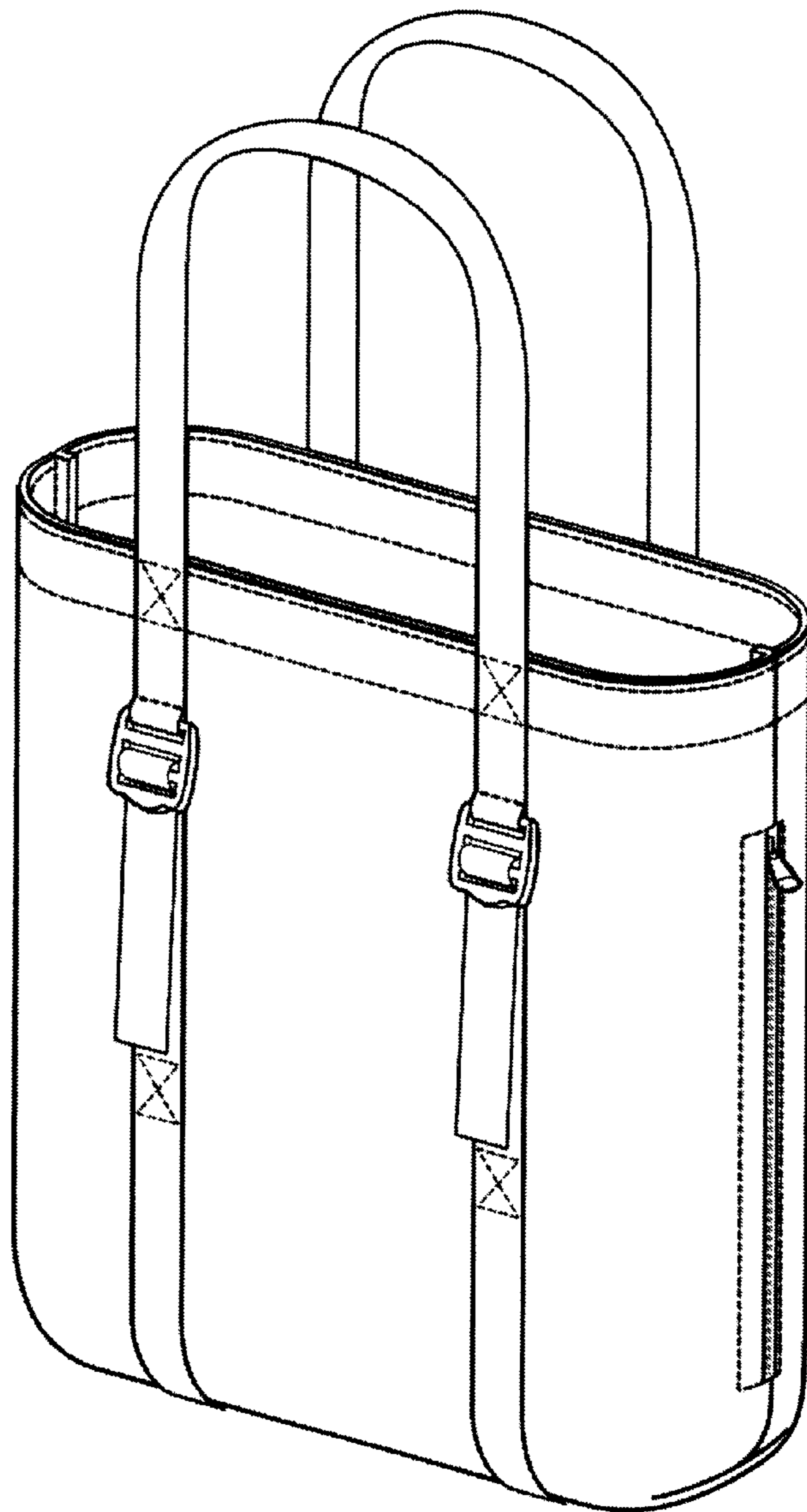


Fig. 2

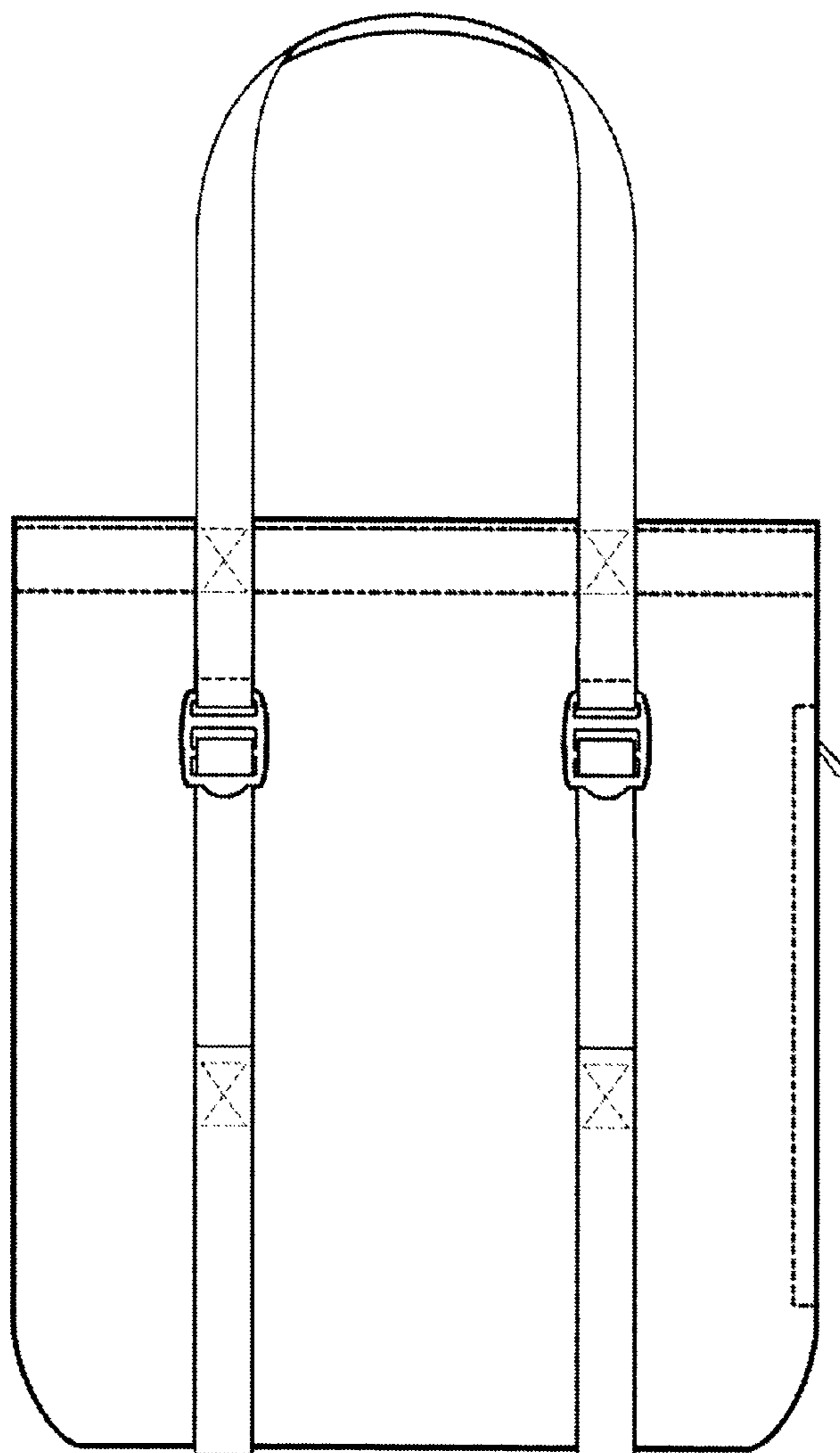


Fig. 3

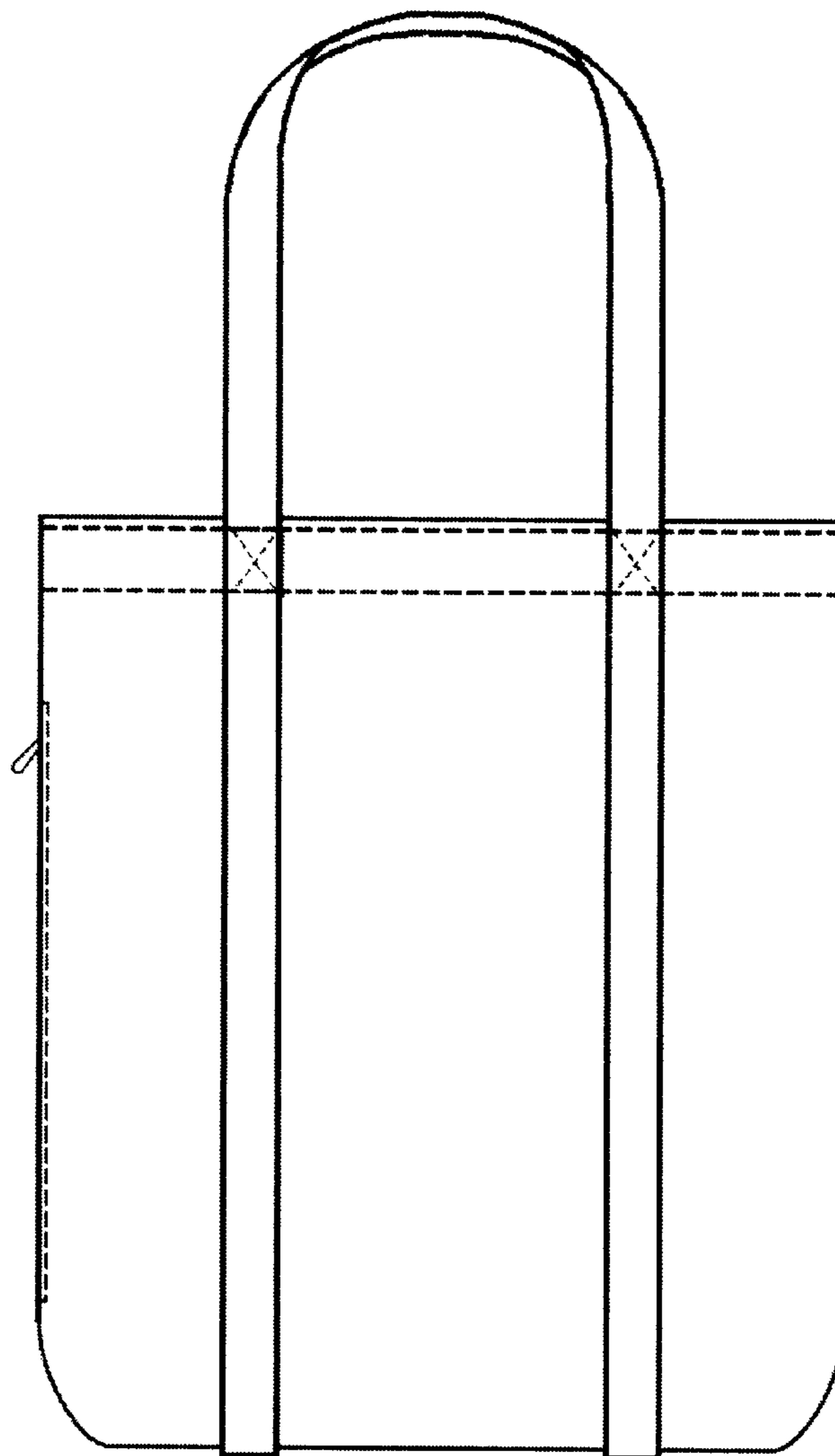


Fig. 4

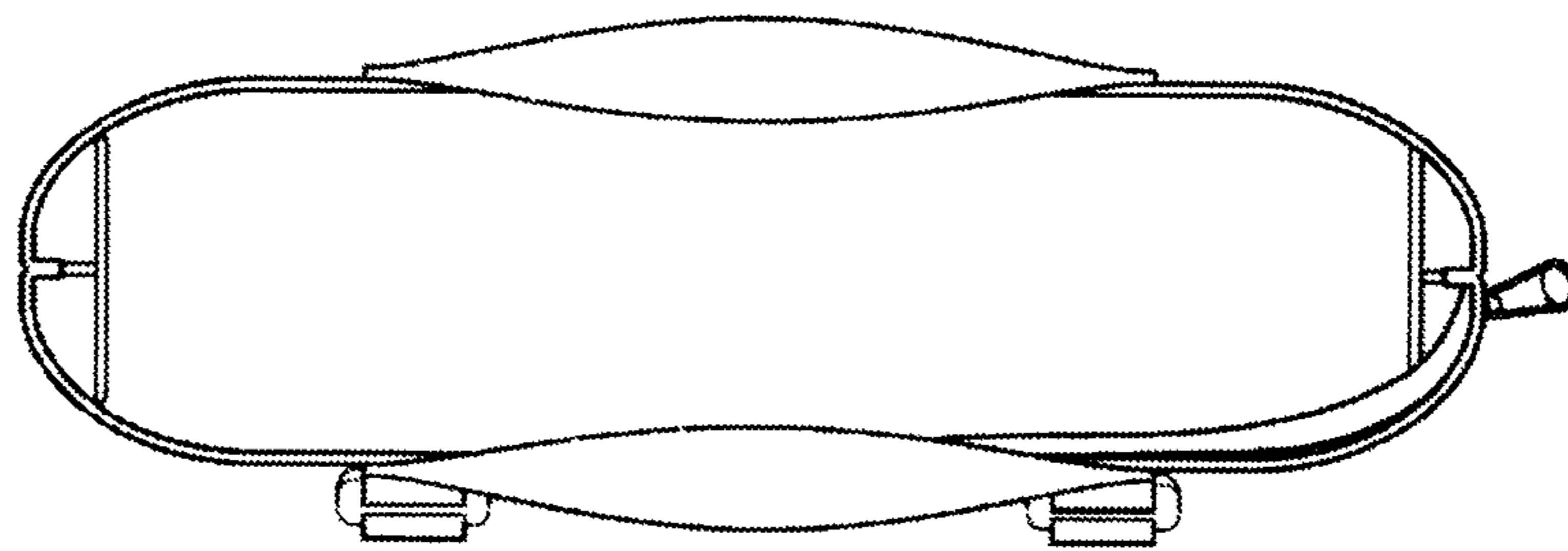


Fig. 5

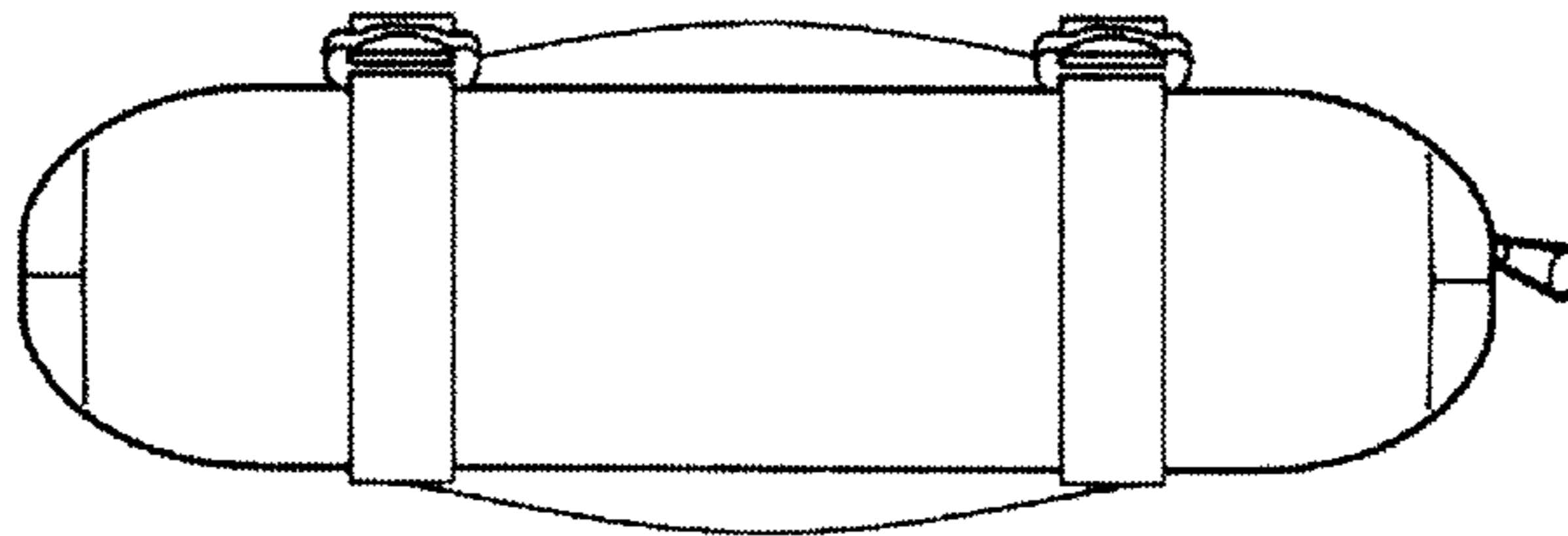
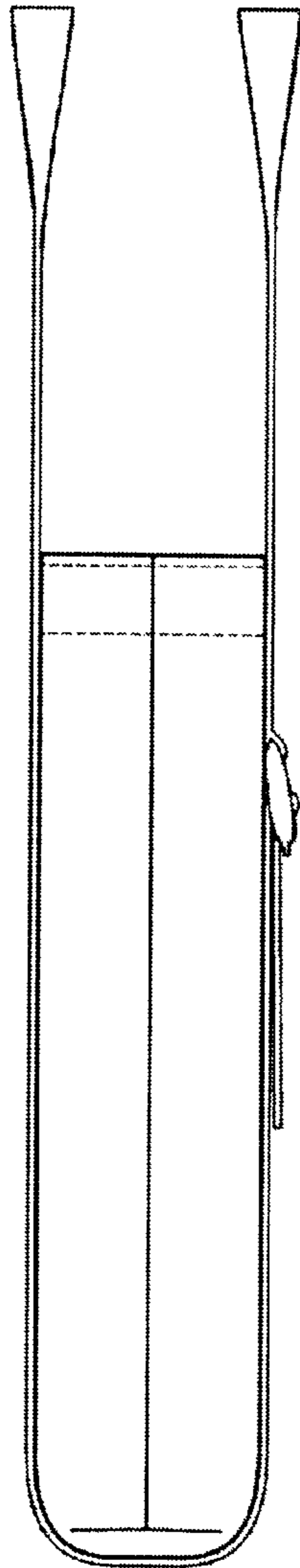


Fig. 6



Fgi. 7

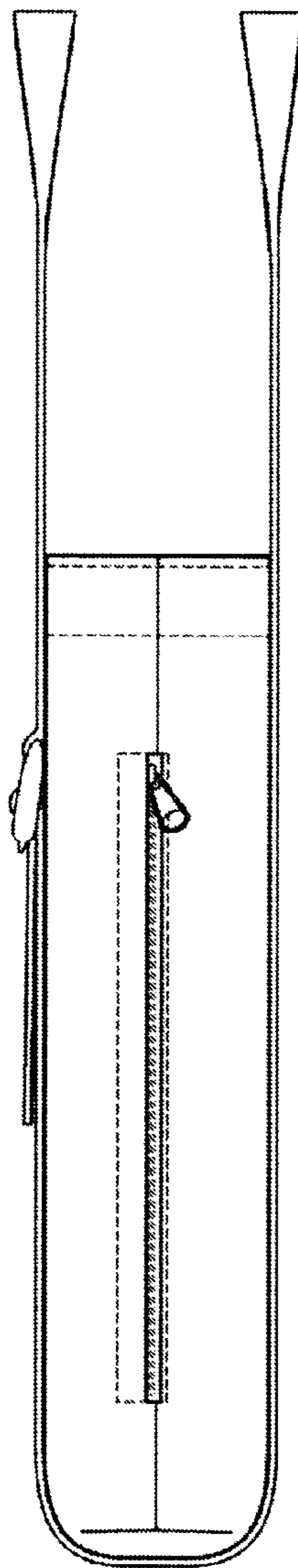


Fig. 8

