



US00D535817S

(12) **United States Design Patent**
Perez

(10) **Patent No.:** **US D535,817 S**
(45) **Date of Patent:** **** Jan. 30, 2007**

(54) **UTILITY POUCH FOR EXERCISING PET**
(75) Inventor: **Viki Ellazar Perez**, La Mesa, CA (US)
(73) Assignee: **Lollipop Designs, Inc.**, Canoga Park, CA (US)
(**) Term: **14 Years**

D411,038 S * 6/1999 Fair et al. D3/226
D442,777 S * 5/2001 Smith D3/226
D472,702 S * 4/2003 Hassett D3/218
D484,688 S * 1/2004 Golliday D3/226
D498,048 S * 11/2004 Reichardt D3/228

* cited by examiner

Primary Examiner—Catherine R. Oliver

(21) Appl. No.: **29/209,096**
(22) Filed: **Jul. 9, 2004**

(57) **CLAIM**

An ornamental design for a utility pouch for exercising pet, as shown in the drawings and described in the specification.

(51) **LOC (8) Cl.** **03-01**
(52) **U.S. Cl.** **D3/226**
(58) **Field of Classification Search** D3/226,
D3/215, 228, 224, 267; 224/240, 241, 245,
224/236, 250, 901, 914
See application file for complete search history.

DESCRIPTION

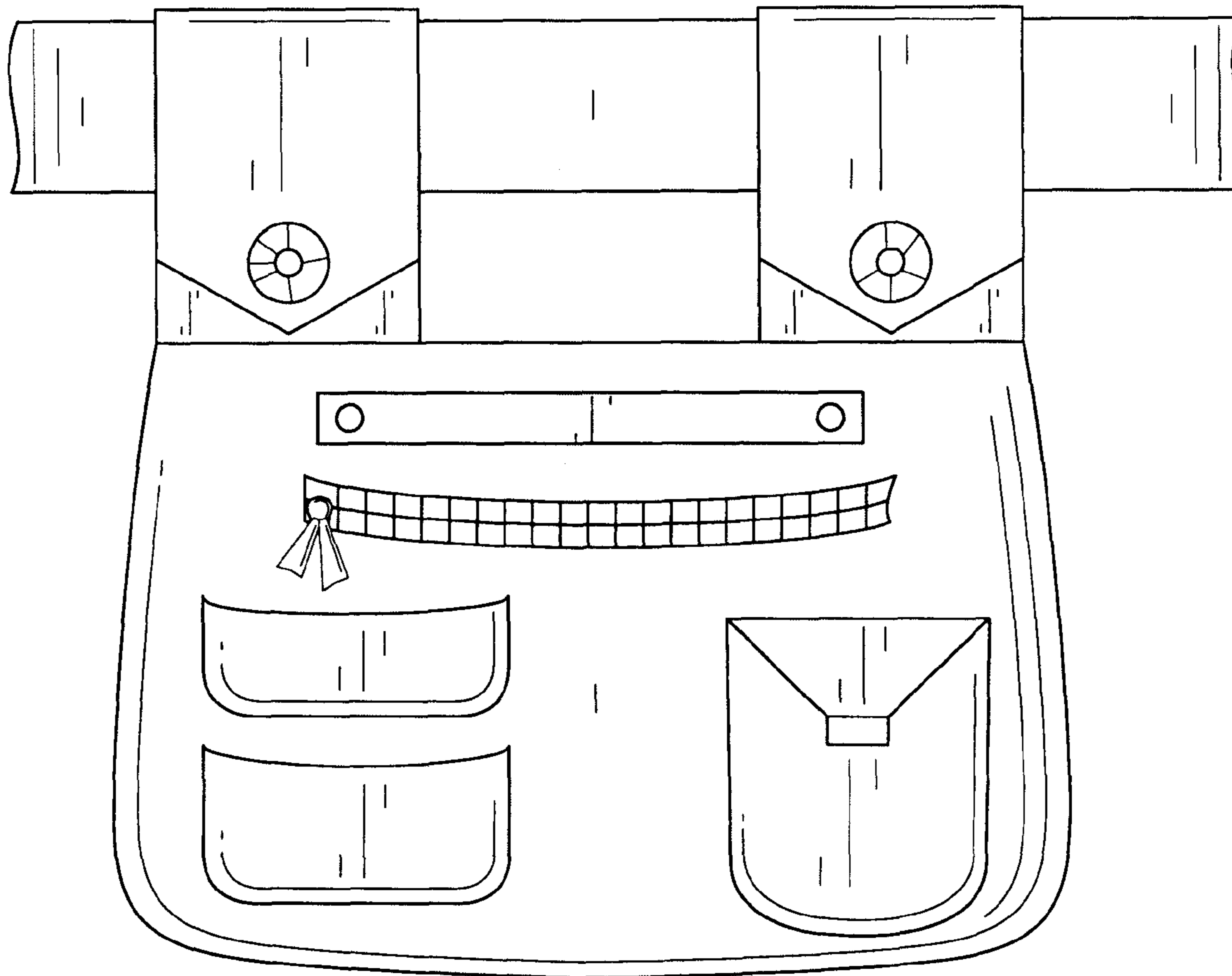
FIG. 1 is a front perspective view of the utility pouch, which attaches onto a wearer's belt, for holding items while exercising a pet; and, FIG. 2 is a rear perspective view of the design of the utility pouch for securing, for example, valuable items while exercising a pet.

(56) **References Cited**

U.S. PATENT DOCUMENTS

D276,476 S * 11/1984 Johansson et al. 224/236

1 Claim, 2 Drawing Sheets



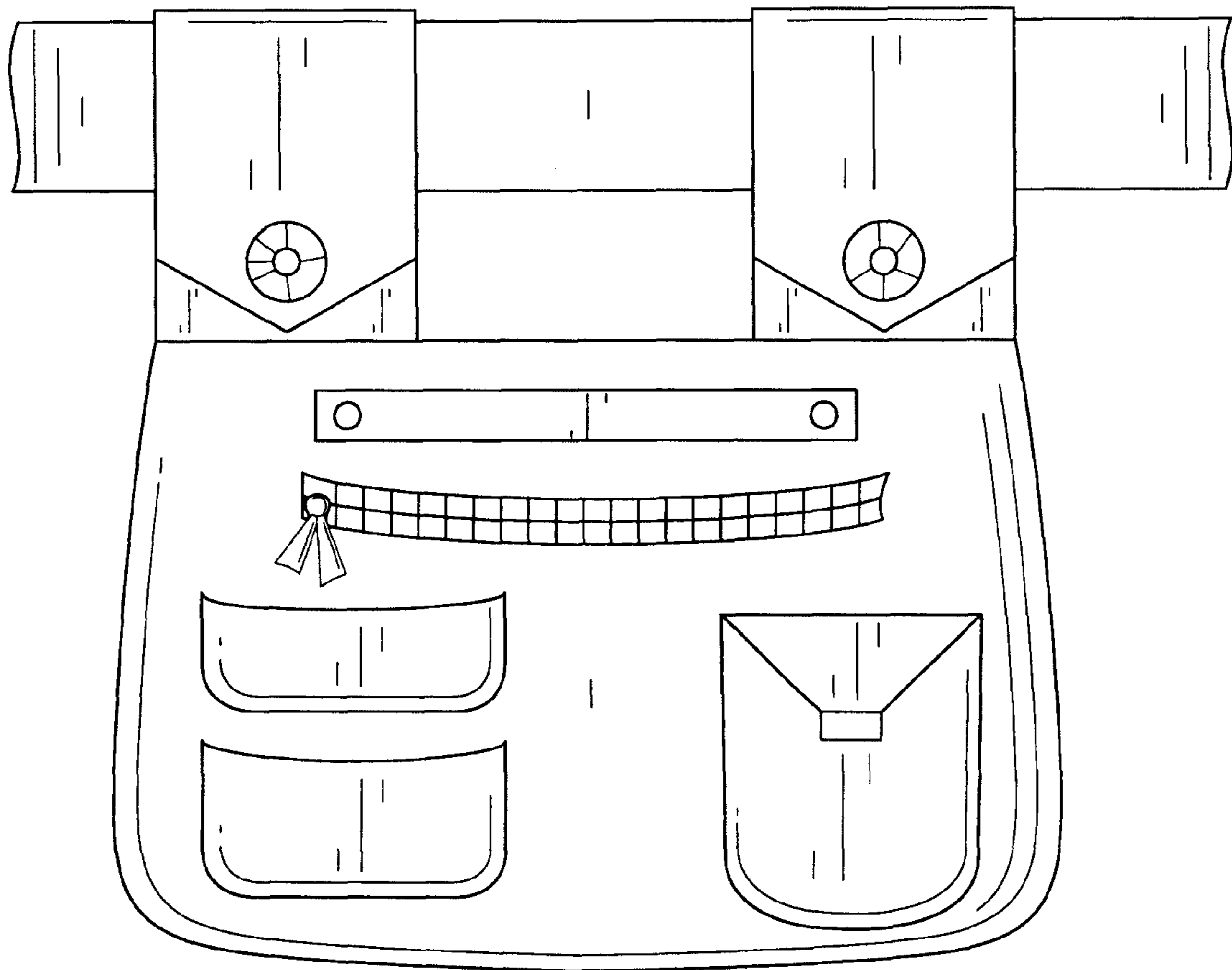


FIG. 1

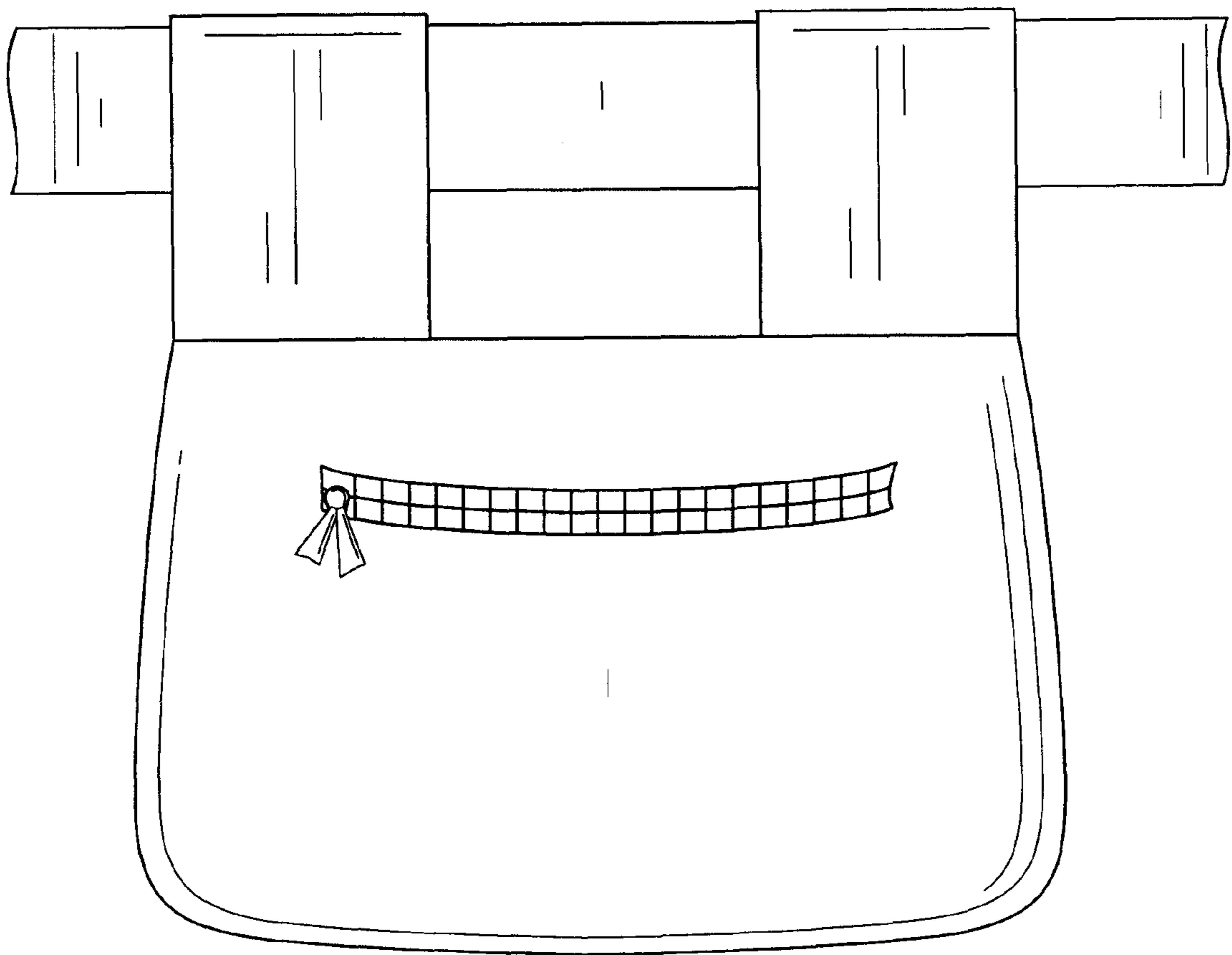


FIG. 2