



US00D535805S

(12) **United States Design Patent** (10) **Patent No.:** **US D535,805 S**
Stark (45) **Date of Patent:** **** Jan. 23, 2007**

(54) **SURFACE CONFIGURATION OF A FORKLIFT, TOY, AND/OR OTHER REPLICAS**

(75) Inventor: **Stefan Stark**, Ludwigsburg (DE)

(73) Assignee: **Dr. Ing. h.c.F. Porsche Aktiengesellschaft**, Stuttgart (DE)

(**) Term: **14 Years**

(21) Appl. No.: **29/230,233**

(22) Filed: **May 19, 2005**

(30) **Foreign Application Priority Data**

Jan. 19, 2005 (EM) 000282520

(51) **LOC (8) Cl.** **12-05**

(52) **U.S. Cl.** **D34/34; D21/556**

(58) **Field of Classification Search** D34/34, D34/28; D21/556; 187/222, 237, 226, 238; 414/572, 631, 592; 180/89.12, 89.13, 89.17

See application file for complete search history.

(56) **References Cited**

U.S. PATENT DOCUMENTS

D338,764 S	*	8/1993	Furuta et al.	D34/34
D396,928 S	*	8/1998	Hahn et al.	D34/34
D492,831 S	*	7/2004	Kouyama	D34/34
D518,268 S	*	3/2006	Stark	D34/34

* cited by examiner

Primary Examiner—Cynthia E. Ramirez
(74) *Attorney, Agent, or Firm*—Crowell & Moring LLP

(57) **CLAIM**

The ornamental design for a surface configuration of a forklift, toy, and/or other replicas, as shown and described.

DESCRIPTION

FIG. 1 is a left, front perspective view of a surface configuration of a forklift, toy, and/or other replicas according to my novel design;

FIG. 2 is a left, rear perspective view of the surface configuration of a forklift, toy, and/or other replicas according to my novel design;

FIG. 3 is a left side view of the surface configuration of a forklift, toy, and/or other replicas according to my novel design;

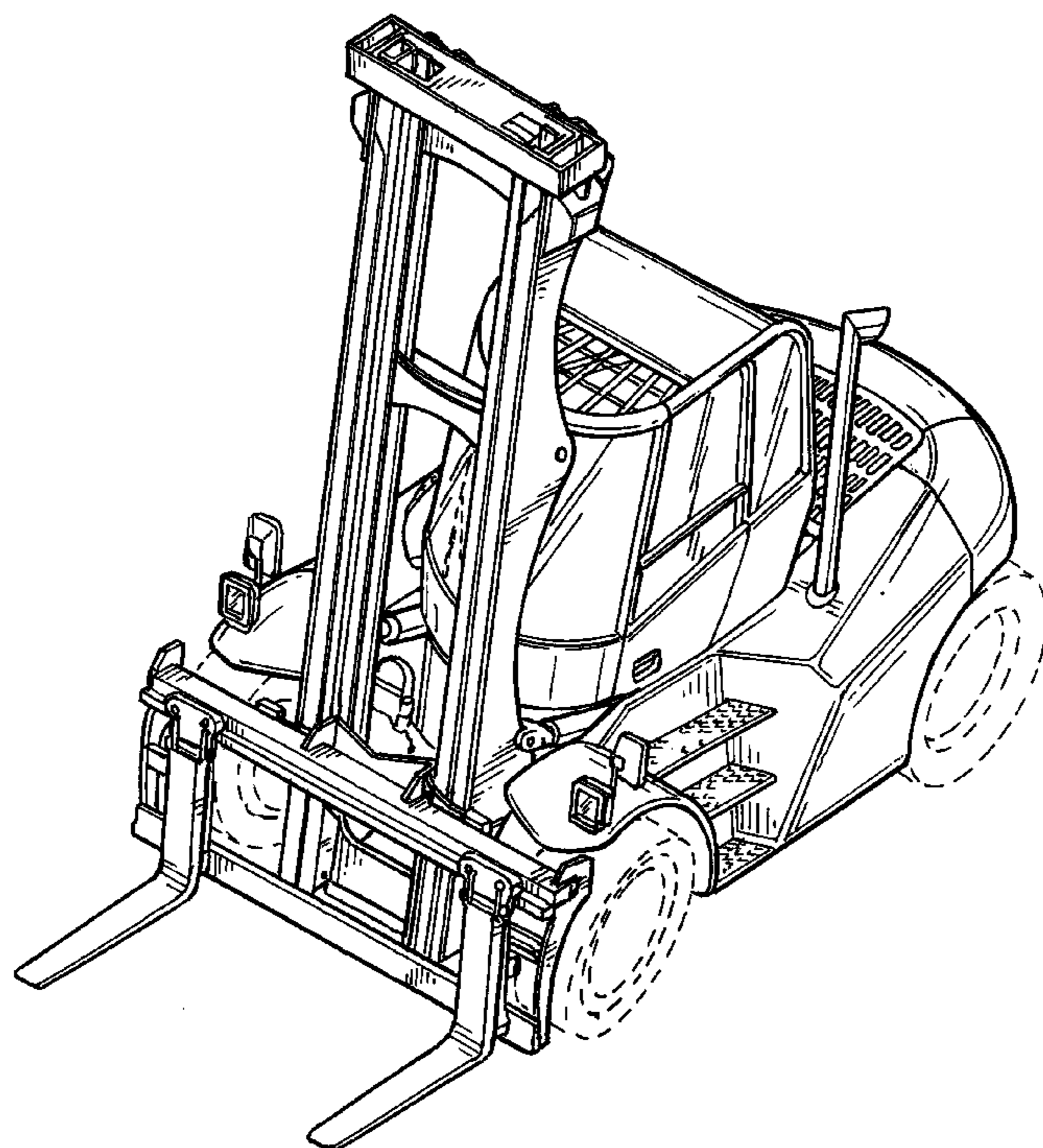
FIG. 4 is a right side view of the surface configuration of a forklift, toy, and/or other replicas according to my novel design;

FIG. 5 is a front view of the surface configuration of a forklift, toy, and/or other replicas according to my novel design;

FIG. 6 is a rear view of the surface configuration of a forklift, toy, and/or other replicas according to my novel design; and, FIG. 7 is a top view of the surface configuration of a forklift, toy, and/or other replicas according to my novel design.

The broken lines are for illustrative purposes only and form no part of the claimed design.

1 Claim, 6 Drawing Sheets



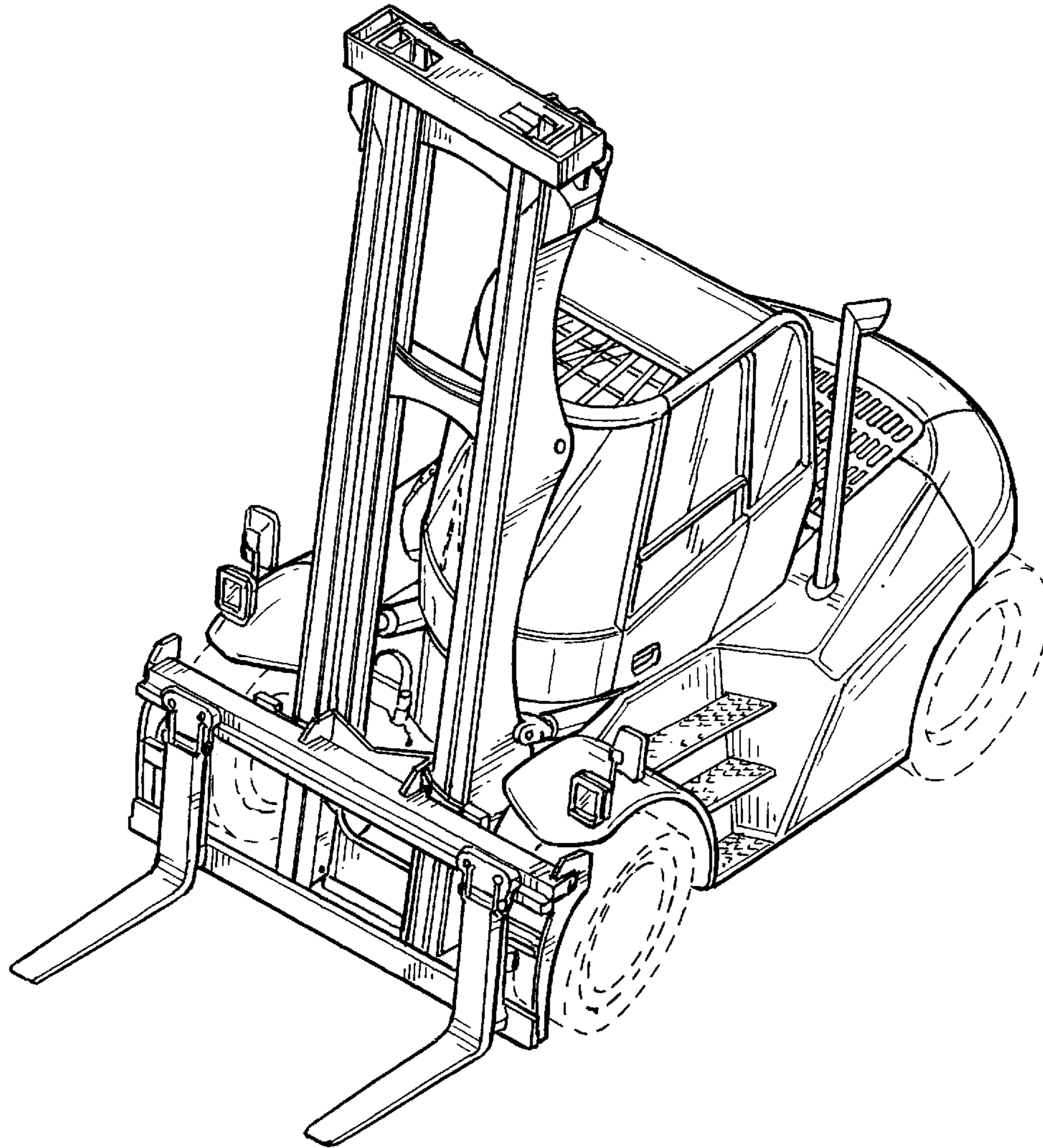


FIG. 1

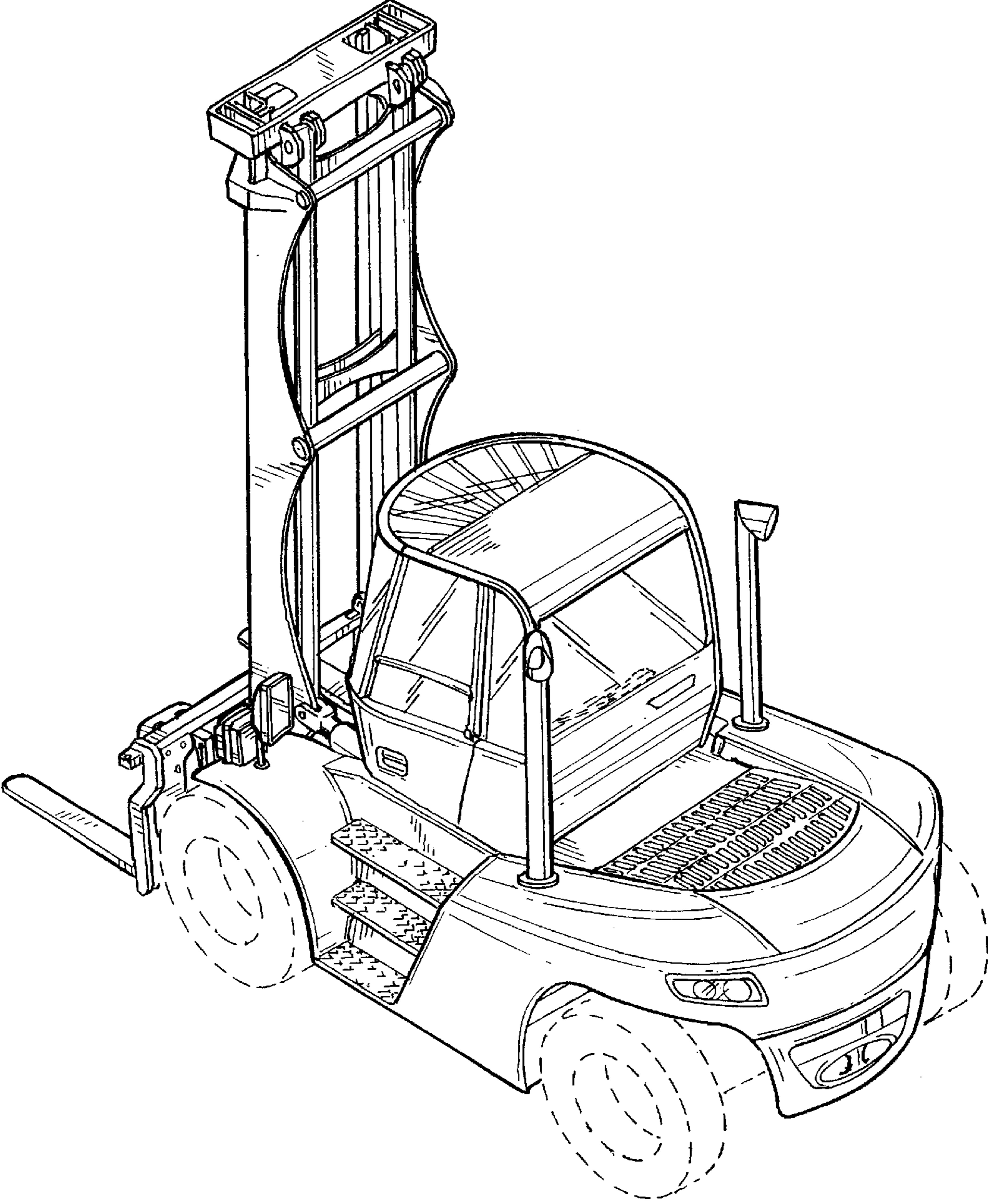


FIG. 2

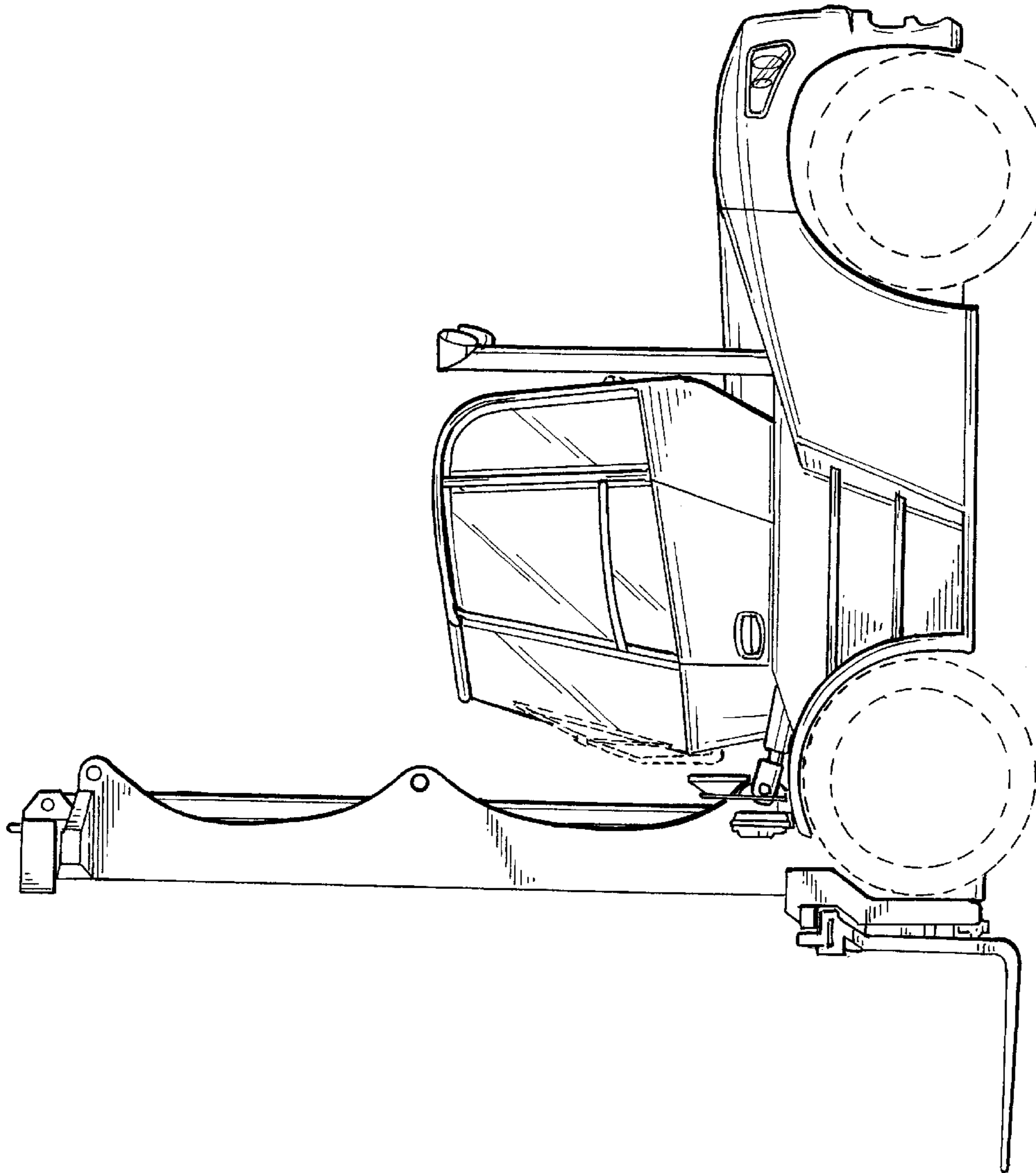


FIG. 3

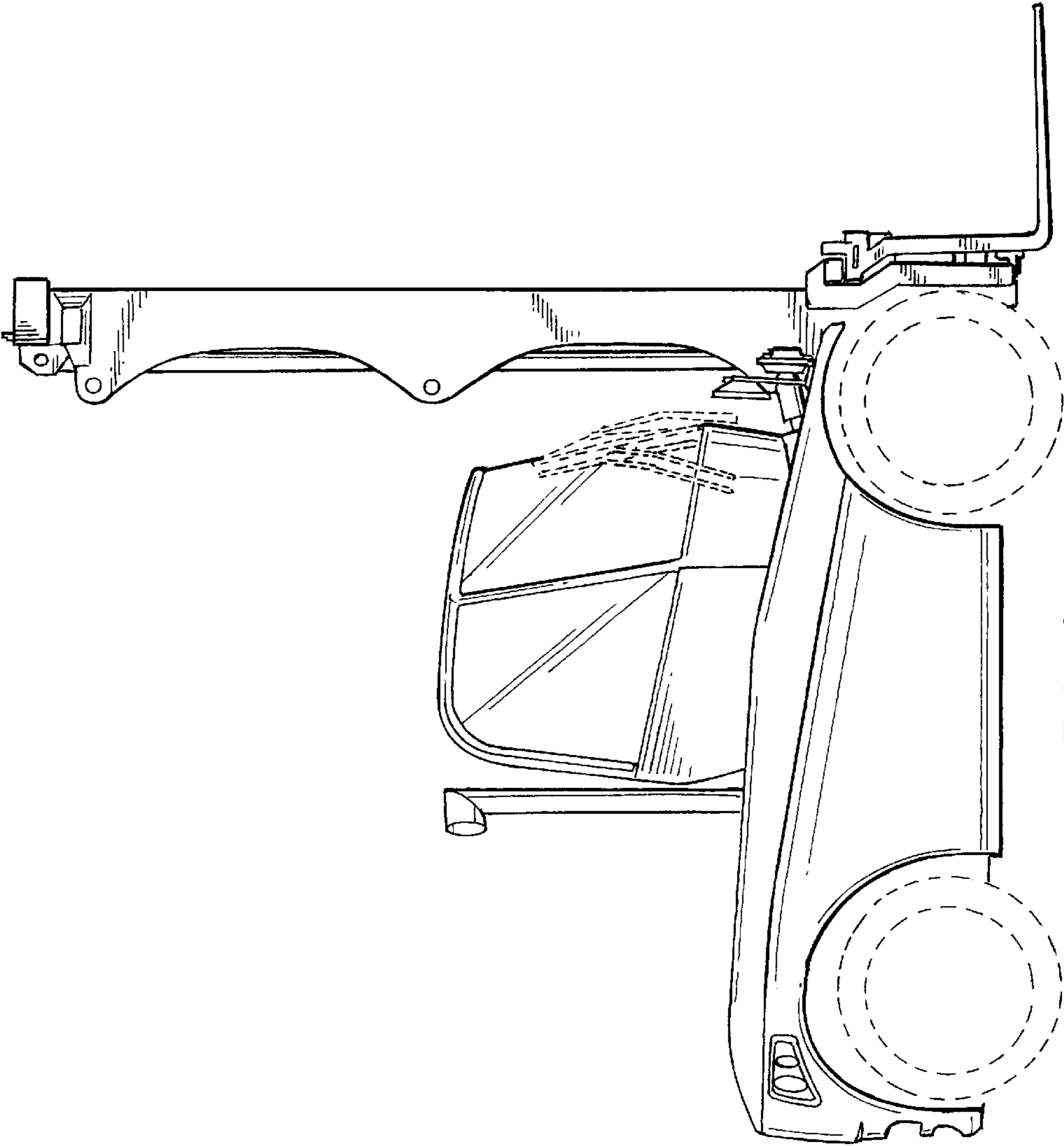


FIG. 4

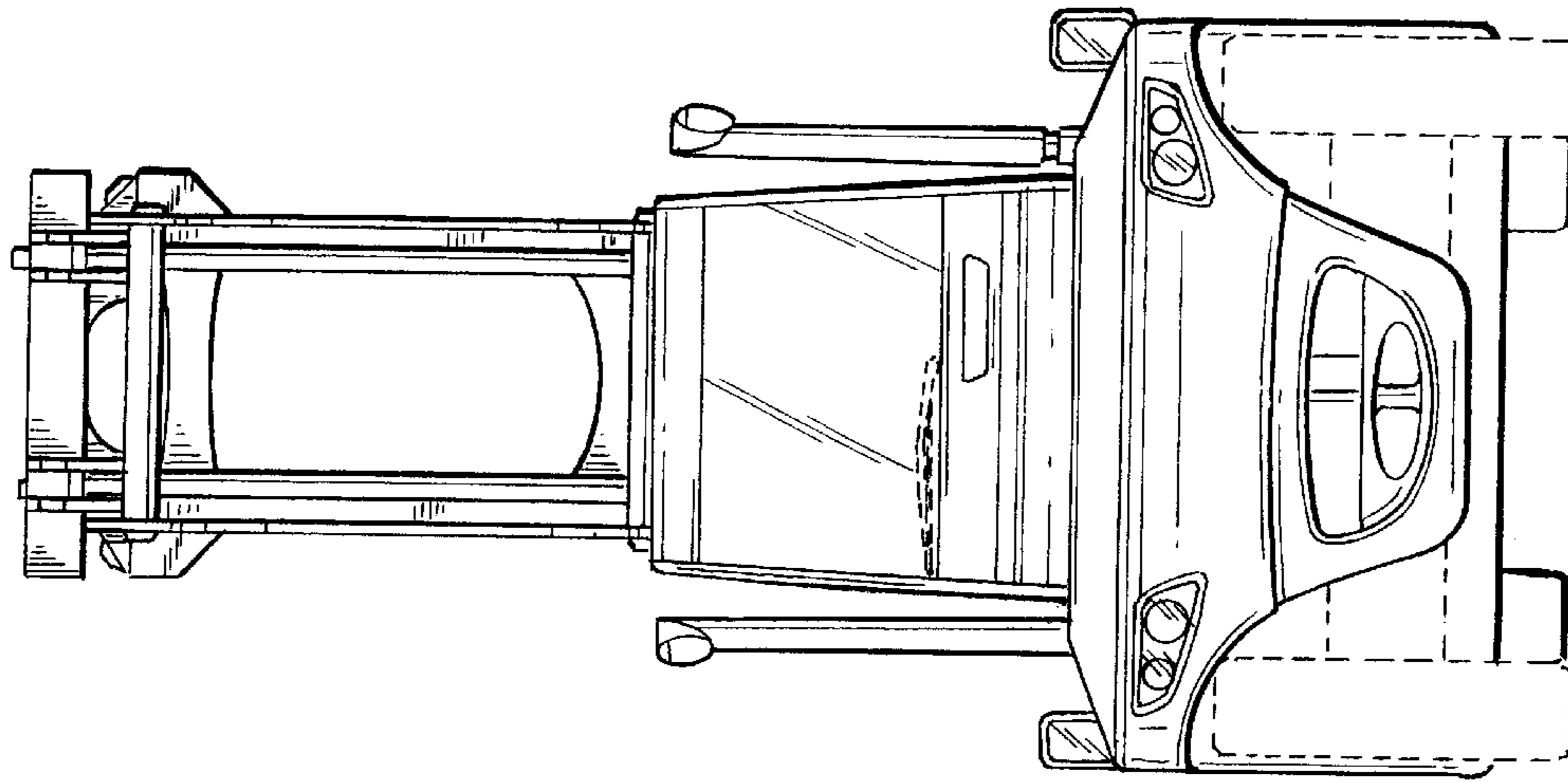


FIG. 6

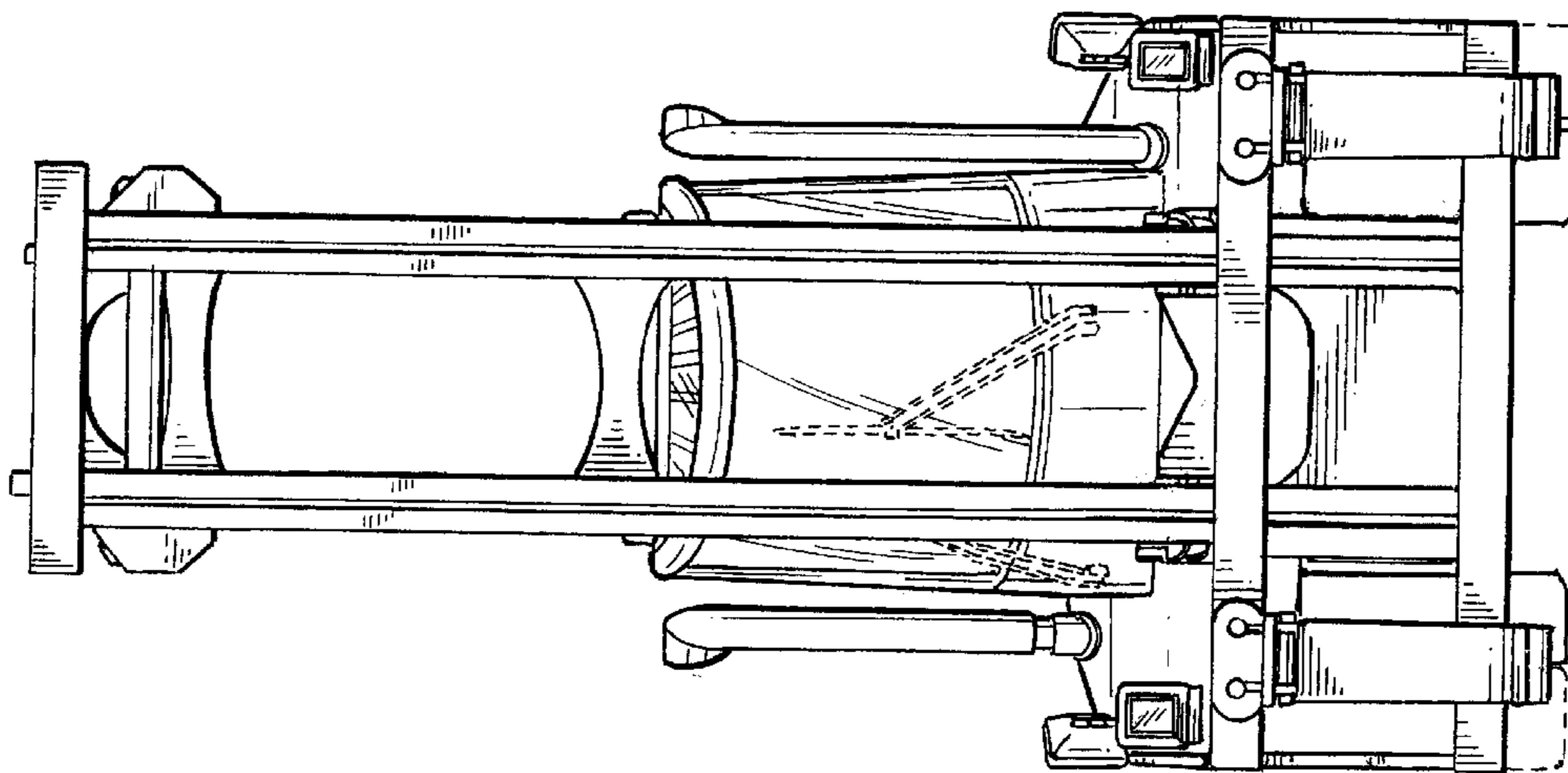


FIG. 5

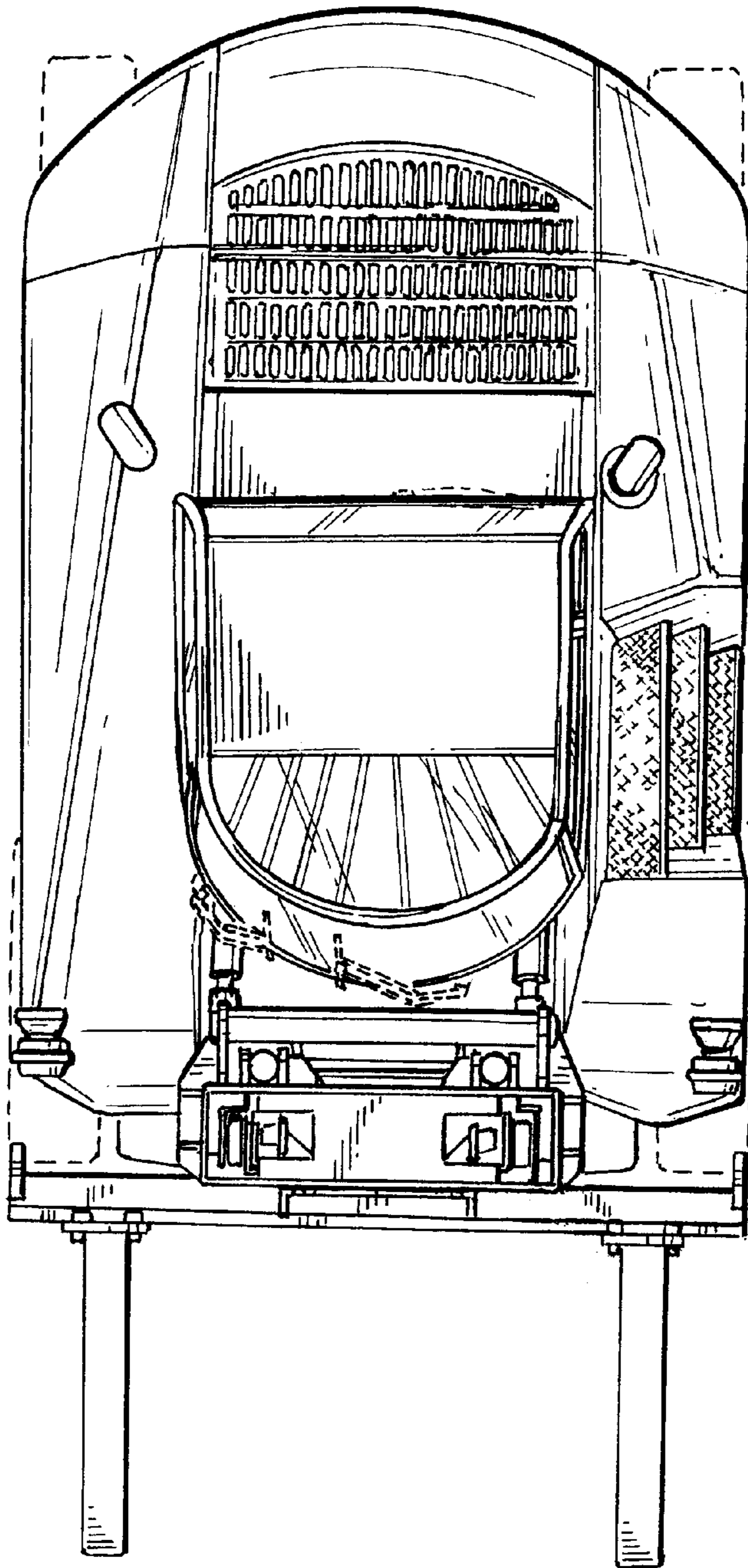


FIG. 7