

US00D535804S

(12) **United States Design Patent**
Yoshida et al.

(10) **Patent No.:** **US D535,804 S**

(45) **Date of Patent:** **** Jan. 23, 2007**

(54) **PORTION OF INLET FOR ESCALATOR**

(75) Inventors: **Masato Yoshida**, Himeji (JP); **Yoshio Oigimura**, Himeji (JP); **Koji Sugiura**, Himeji (JP); **Nobuhiro Oku**, Himeji (JP); **Kazuhiko Nakao**, Ichihara (JP)

(73) Assignee: **Toshiba Elevator Kabushiki Kaisha** (JP)

(**) Term: **14 Years**

(21) Appl. No.: **29/201,427**

(22) Filed: **Mar. 16, 2004**

(30) **Foreign Application Priority Data**

Oct. 10, 2003 (JP) 2003-029989

(51) **LOC (8) Cl.** **12-05**

(52) **U.S. Cl.** **D34/30**

(58) **Field of Classification Search** D4/28,
D4/35, 30; 198/321, 333, 323, 335, 338;
D12/404, 182, 183-185; D14/900-902
See application file for complete search history.

(56) **References Cited**

U.S. PATENT DOCUMENTS

2,705,250	A	*	3/1955	Kirkman	429/153
2,708,997	A	*	5/1955	Durang et al.	198/338
2,846,045	A	*	8/1958	Fowler	198/323
3,144,118	A	*	8/1964	Fabula	198/332
3,321,059	A	*	5/1967	Kroepel	198/335
3,670,862	A	*	6/1972	Kito	198/338
3,913,723	A	*	10/1975	Johnson	198/323
3,970,187	A	*	7/1976	Esaki et al.	198/338

4,326,727	A	*	4/1982	Rock	280/851
D318,357	S	*	7/1991	Adrian et al.	D34/28
5,197,761	A	*	3/1993	Shirdavani	281/15.1
D342,914	S	*	1/1994	Grieco	D10/106
D344,384	S	*	2/1994	Yamamoto et al.	D34/30
D348,757	S	*	7/1994	Rivera et al.	D34/30
5,366,060	A	*	11/1994	Johnson et al.	198/323
5,431,271	A	*	7/1995	Abraham et al.	198/324
D381,304	S	*	7/1997	Ruimi	D12/183
D382,735	S	*	8/1997	Zapf	D6/492
5,720,391	A	*	2/1998	Dohm et al.	206/438
D424,198	S	*	5/2000	Shepherd et al.	D24/158
D444,016	S	*	6/2001	Tipp	D6/541
D490,103	S	*	5/2004	Rangel et al.	D19/10

* cited by examiner

Primary Examiner—Cynthia E. Ramirez

(74) *Attorney, Agent, or Firm*—Banner & Witcoff, Ltd.

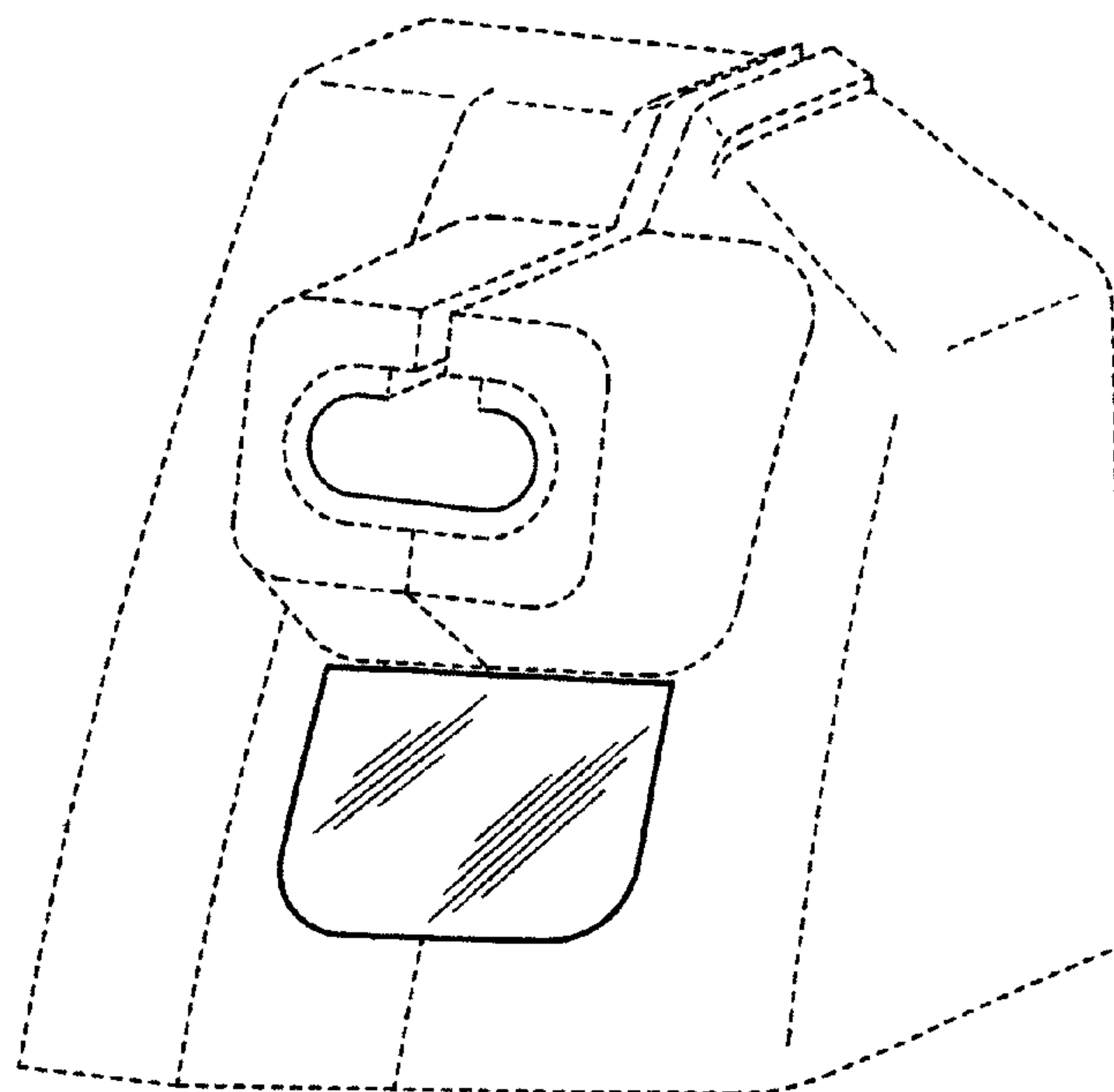
(57) **CLAIM**

The ornamental design for a portion of inlet for escalator, as shown and described.

DESCRIPTION

FIG. 1 is a front, top and right side perspective view of a portion of inlet for escalator, showing our new design; FIG. 2 is a front elevational view thereof; FIG. 3 is a right side elevational view thereof; FIG. 4 is a rear elevational view thereof; FIG. 5 is a left side elevational view thereof; FIG. 6 is a top plan view thereof; and, FIG. 7 is a bottom plan view thereof. The broken line portion is shown for illustrative purpose only and forms no part of the claimed design.

1 Claim, 4 Drawing Sheets



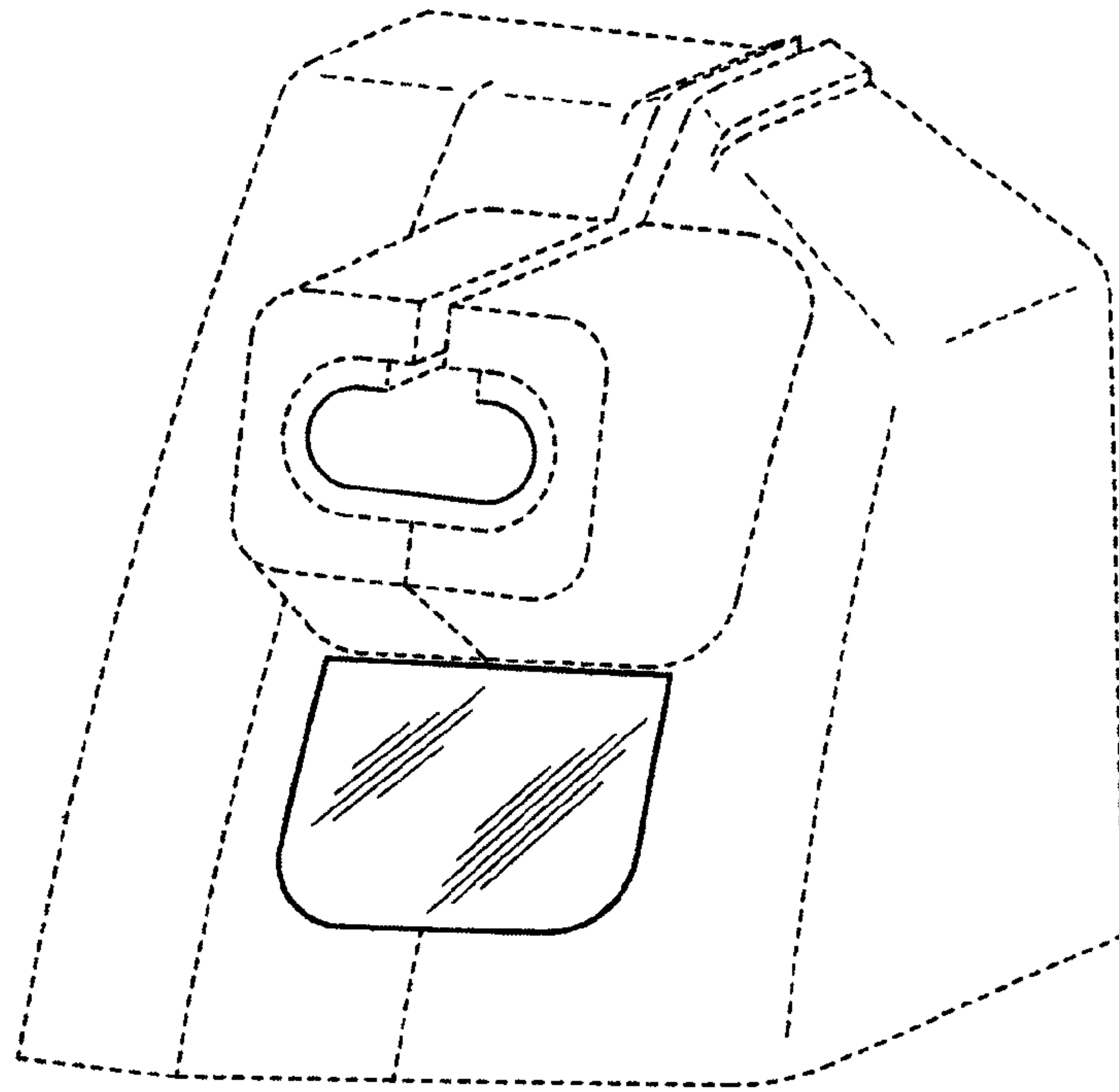


FIG. 1

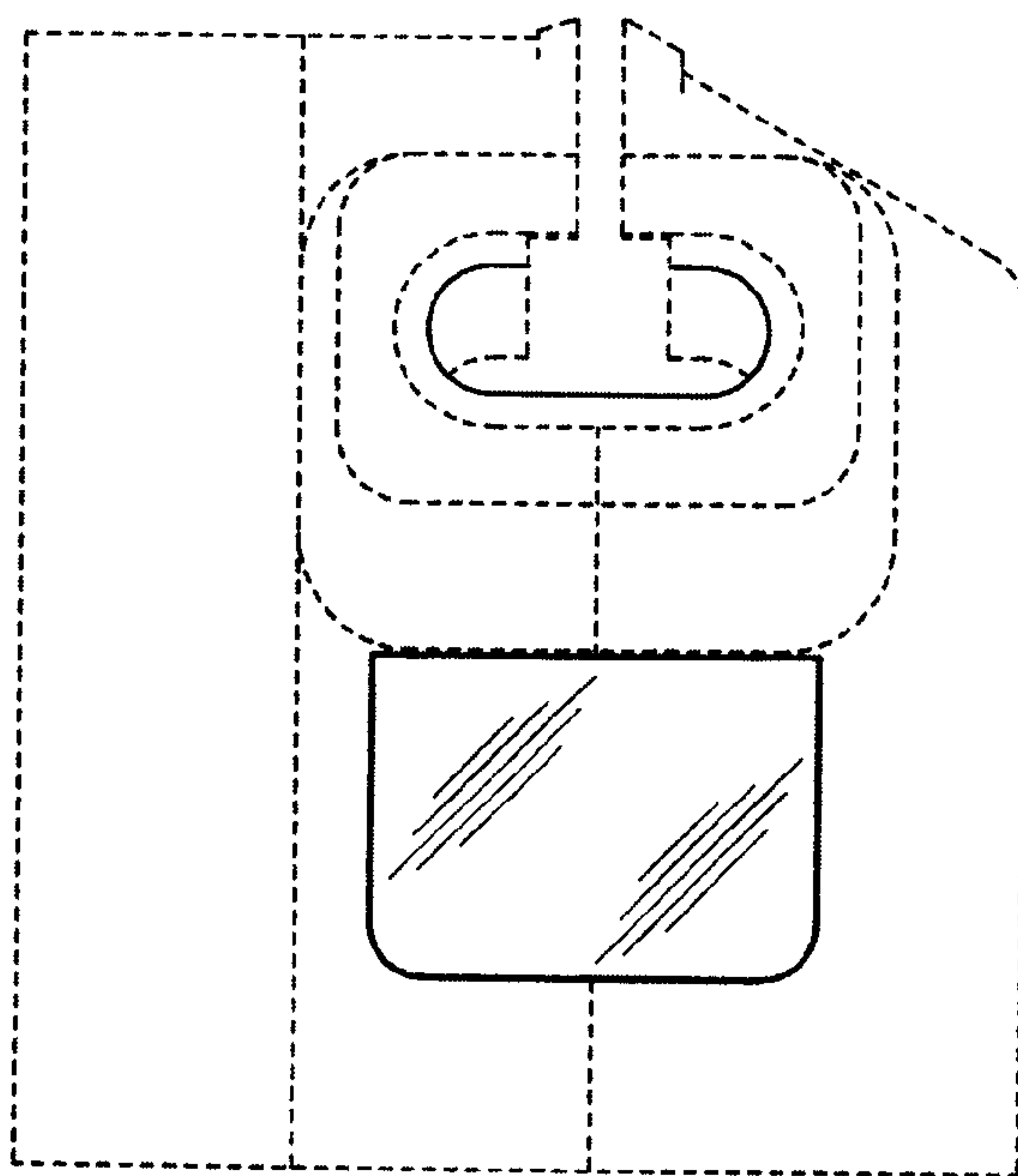


FIG. 2

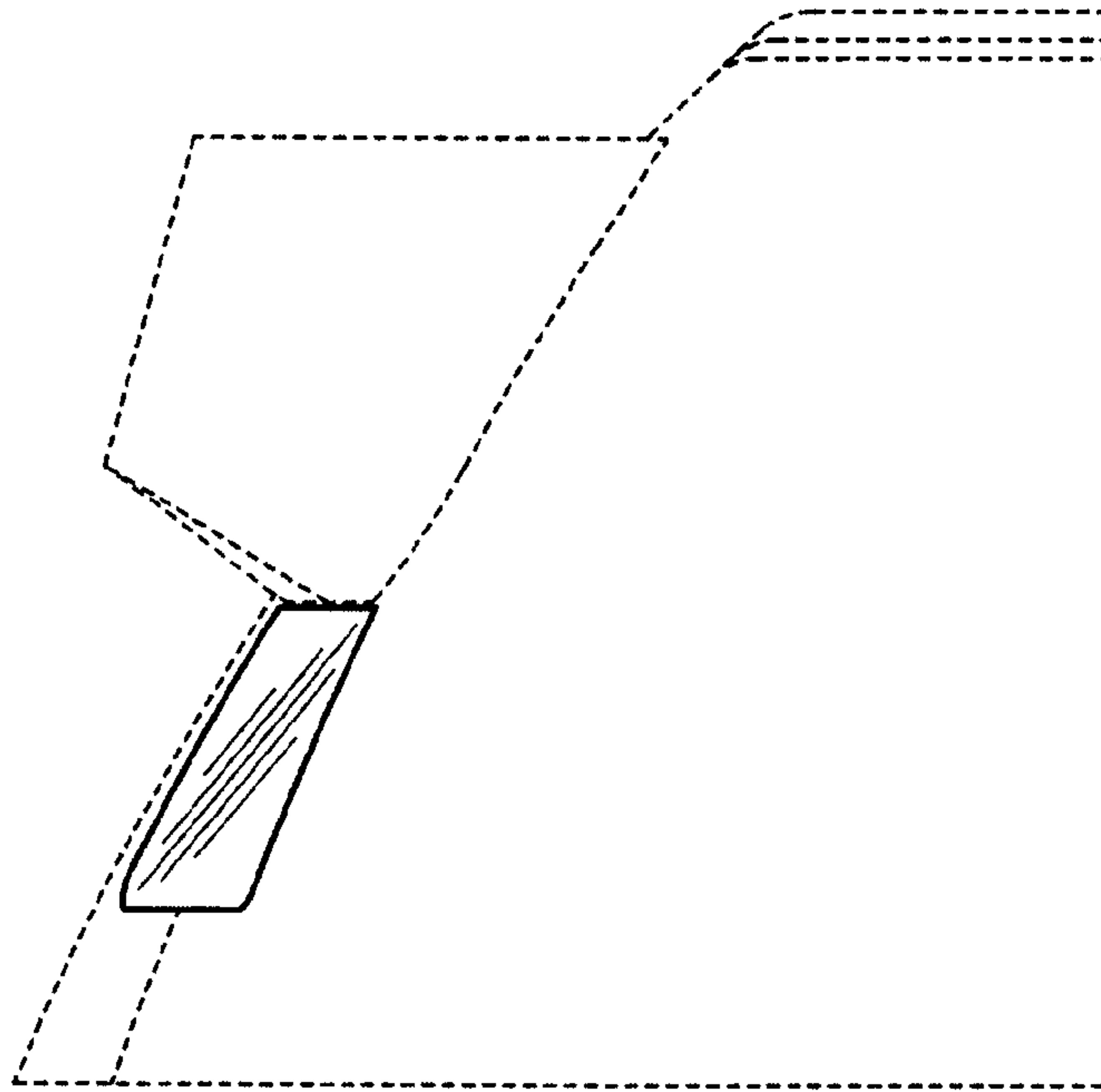


FIG. 3

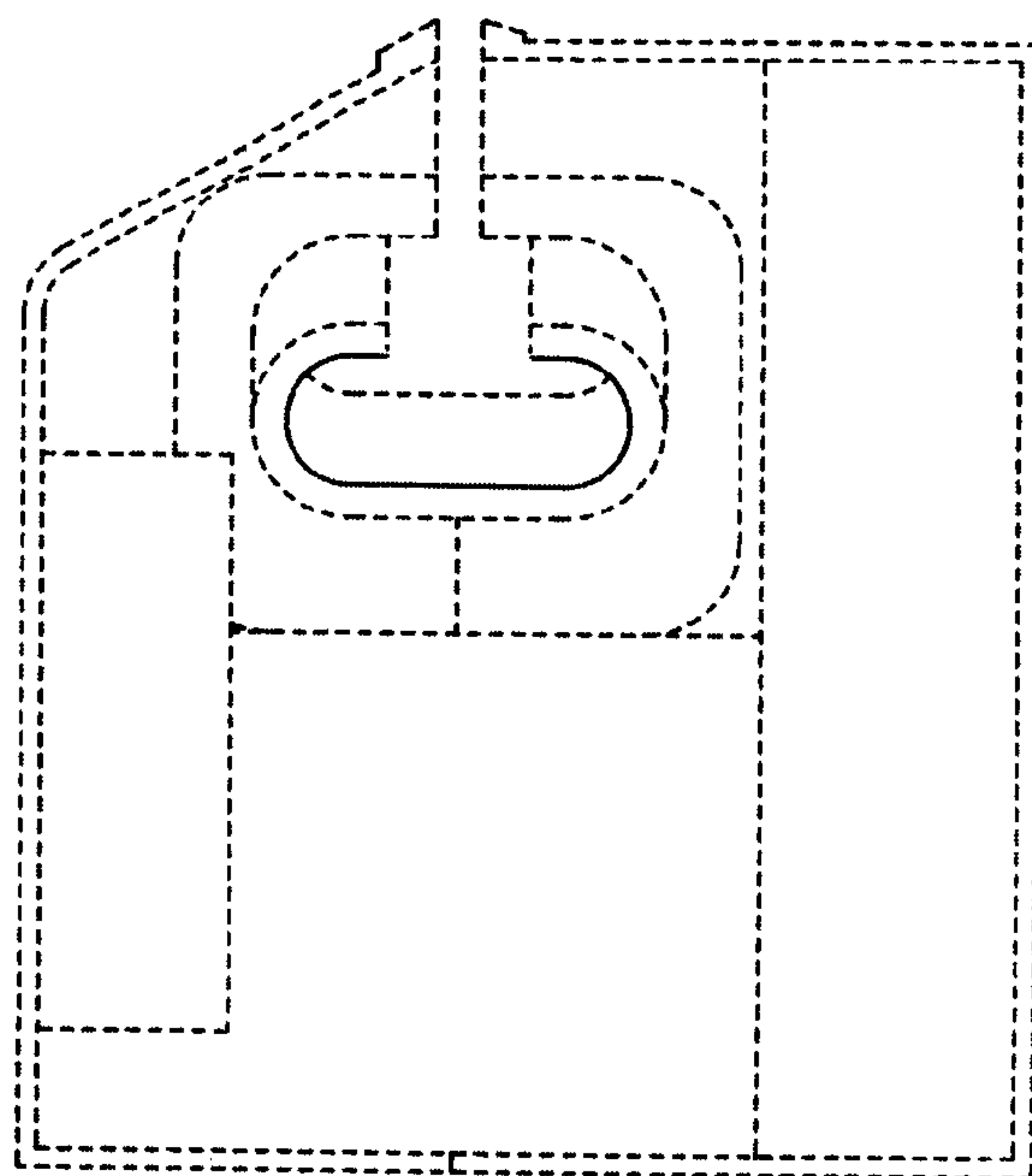


FIG. 4

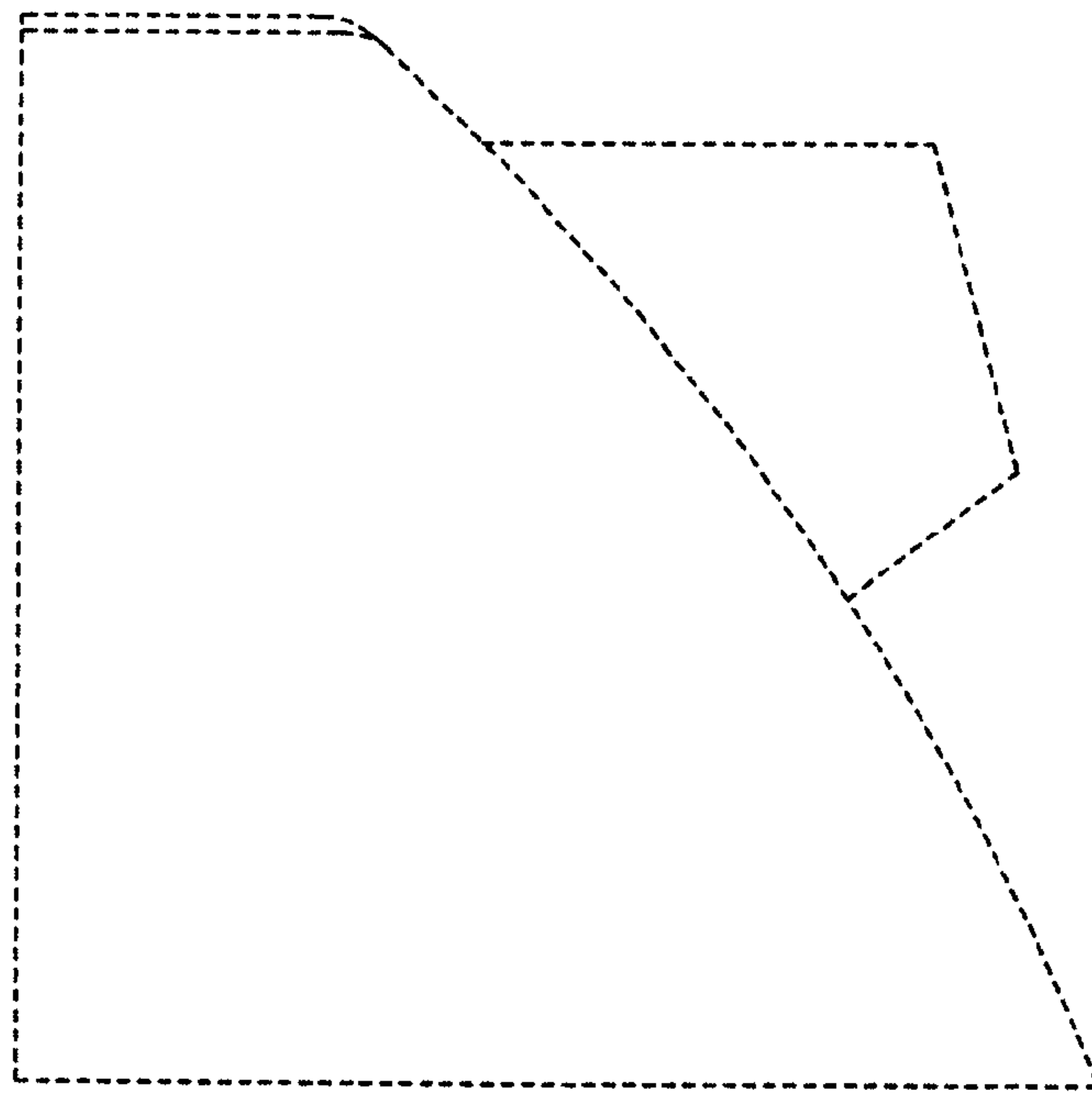


FIG. 5

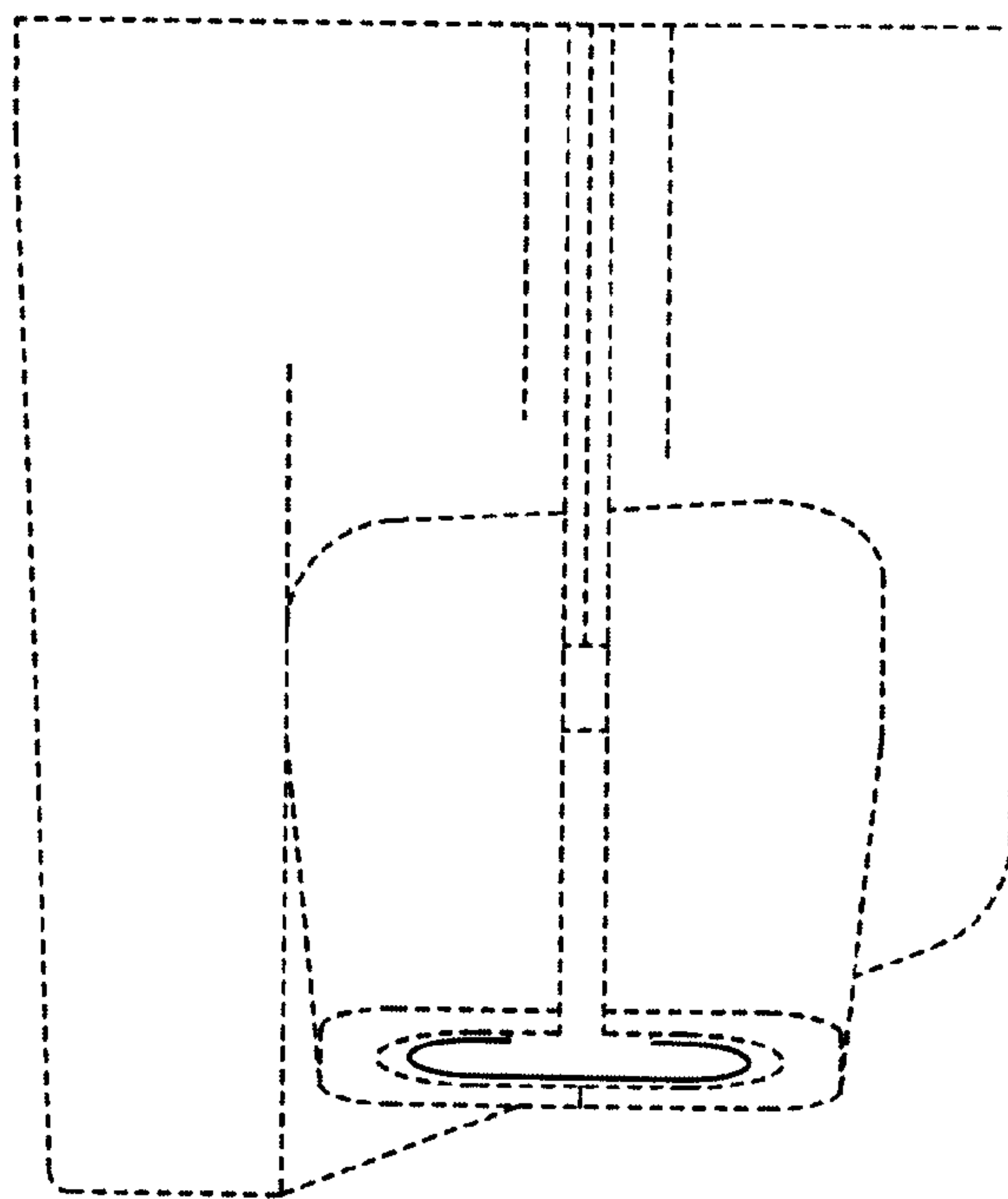


FIG. 6

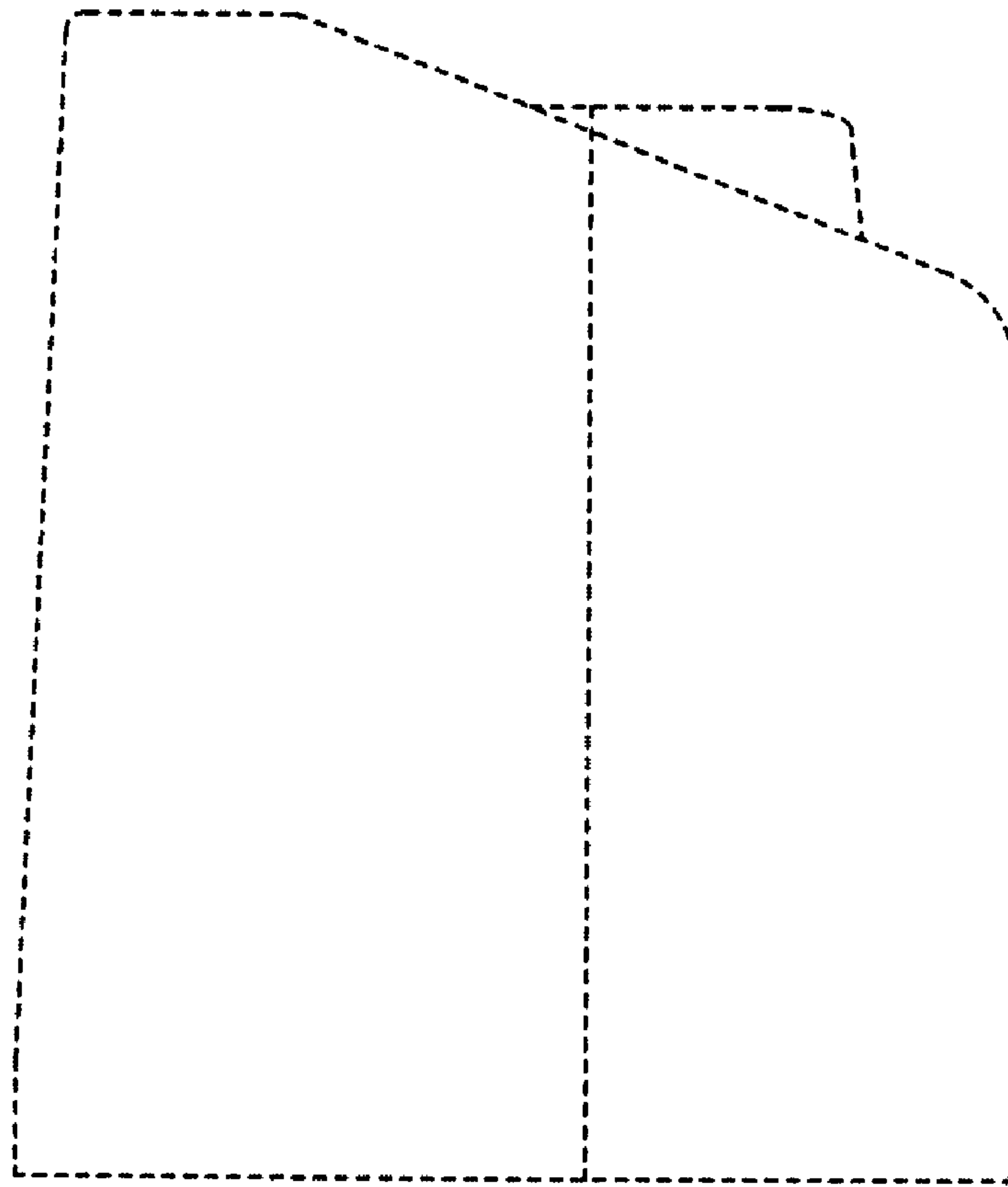


FIG. 7