



US00D535803S

(12) **United States Design Patent**
Shunk et al.

(10) **Patent No.: US D535,803 S**

(45) **Date of Patent: ** Jan. 23, 2007**

(54) **SHOPPING CART PROTECTIVE
COMPARTMENT**

(76) Inventors: **Claudia F. Shunk**, 1060 Euclid Ave.,
Salt Lake City, UT (US) 84101; **Robert
Shunk**, 1060 Euclid Ave., Salt Lake
City, UT (US) 84101

(**) **Term: 14 Years**

(21) **Appl. No.: 29/244,868**

(22) **Filed: Dec. 16, 2005**

(51) **LOC (8) Cl. 12-02**

(52) **U.S. Cl. D34/27**

(58) **Field of Classification Search** D34/12-27;
224/411, 42.43; 280/33.991, 33.992, 33.993;
206/232; 211/10; 40/308; D3/304, 306
See application file for complete search history.

(56) **References Cited**

U.S. PATENT DOCUMENTS

2,118,488	A	*	5/1938	Butler	206/568
3,861,633	A		1/1975	Rappleye et al.		
4,274,567	A		6/1981	Sawyer		
4,376,502	A	*	3/1983	Cohen	224/411
4,560,096	A		12/1985	Lucas et al.		
5,263,578	A	*	11/1993	Narvey	206/232
5,494,308	A		2/1996	Southerland		
D375,207	S	*	11/1996	Pempek	D6/300

D383,283	S	*	9/1997	Hankins, III	D34/27
D393,766	S	*	4/1998	Mazzola et al.	D6/513
D415,915	S	*	11/1999	Camilleri et al.	D6/522
D420,219	S	*	2/2000	Elvin-Jensen et al.	D3/305
6,202,838	B1	*	3/2001	Tran	206/232
6,206,184	B1	*	3/2001	Goguen et al.	206/232
6,231,058	B1		5/2001	Kimbrough et al.		
6,565,102	B1	*	5/2003	Buckley, III	280/33.992
D484,666	S	*	12/2003	Caya	D34/27
6,766,931	B1	*	7/2004	Wolf	224/411

* cited by examiner

Primary Examiner—Freda S. Nunn

Assistant Examiner—Kevin K. Rudzinski

(74) *Attorney, Agent, or Firm*—Richard L. Mikesell

(57) **CLAIM**

The ornamental design for a shopping cart protective compartment, as shown and described.

DESCRIPTION

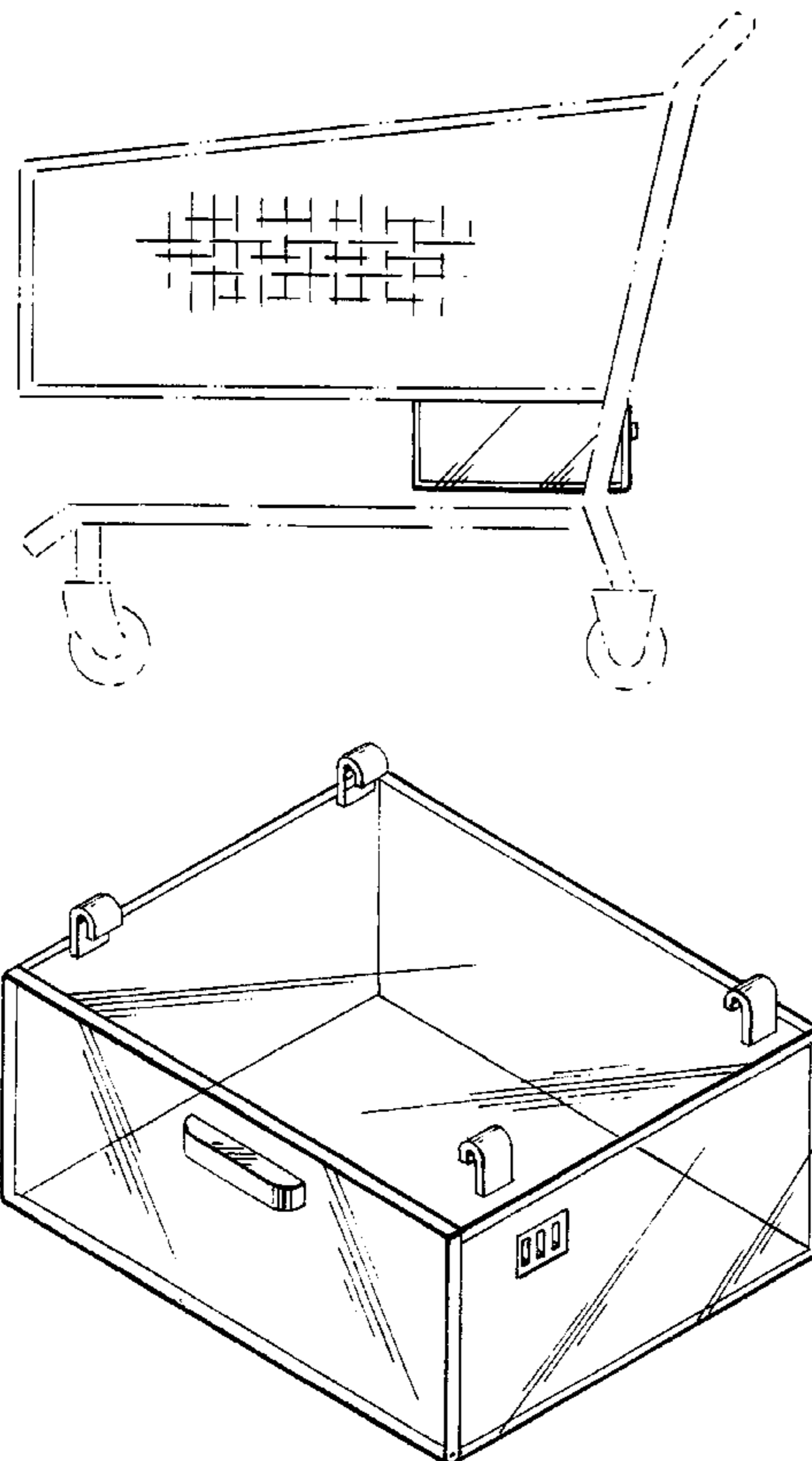
FIG. 1 is a Left elevation of the design of the instant invention showing it attached to a phantom shopping cart which forms no part of the claimed design;

FIG. 2 is a Right Top Perspective view of the claimed design; and,

FIG. 3 is a Left Side elevation.

The rear and bottom are plain and unadorned.

1 Claim, 1 Drawing Sheet



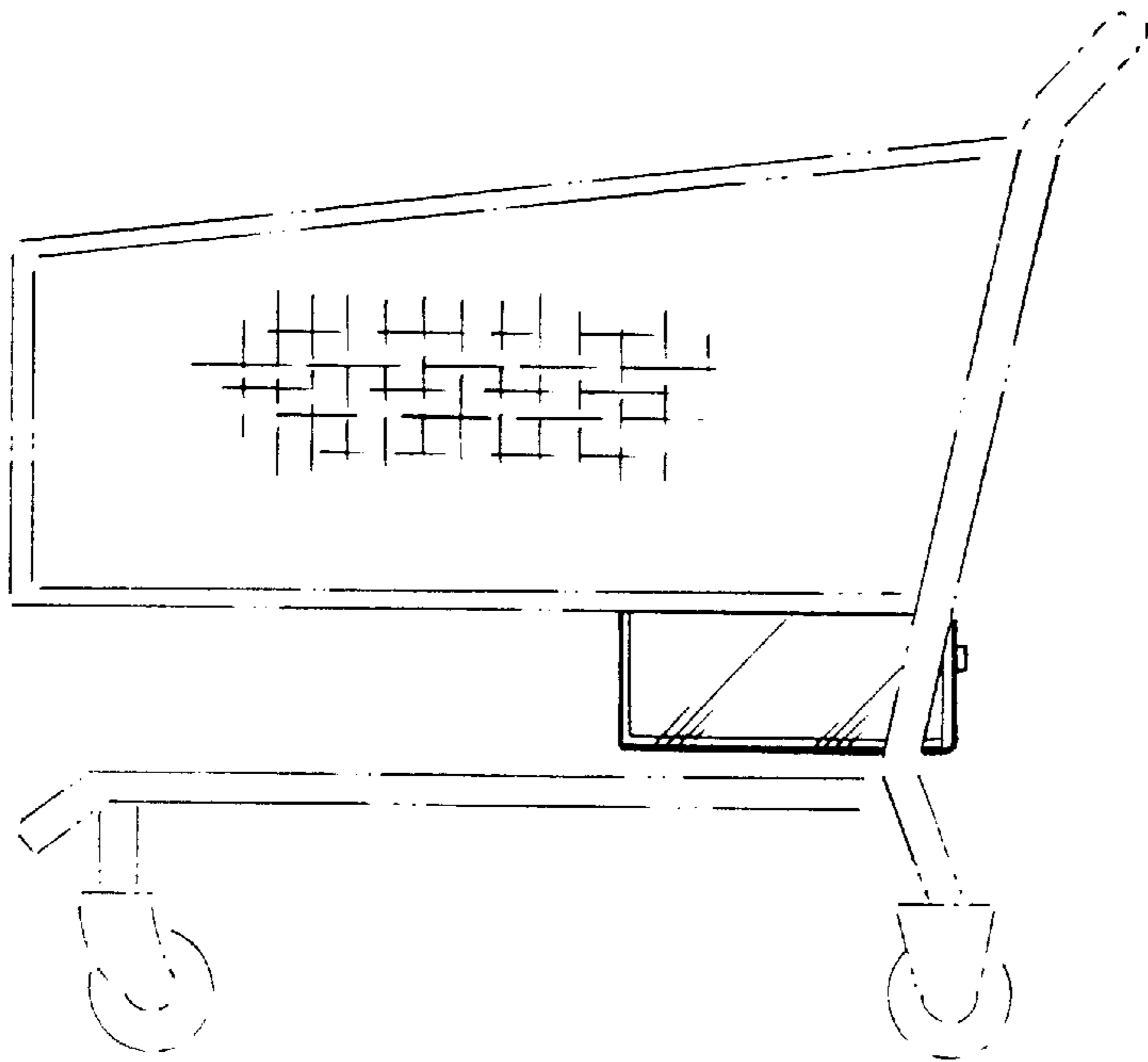


FIG. 1

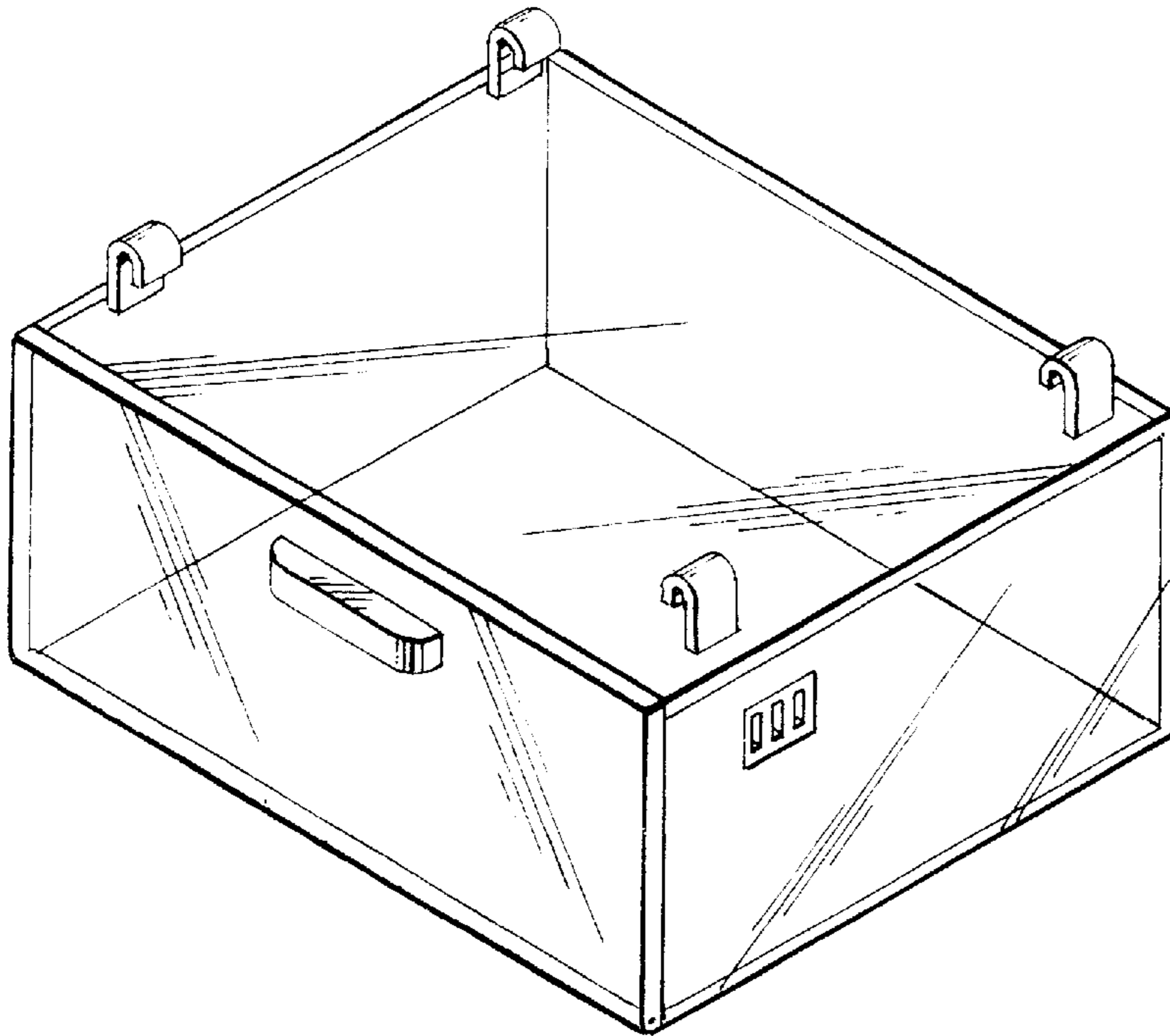


FIG. 2

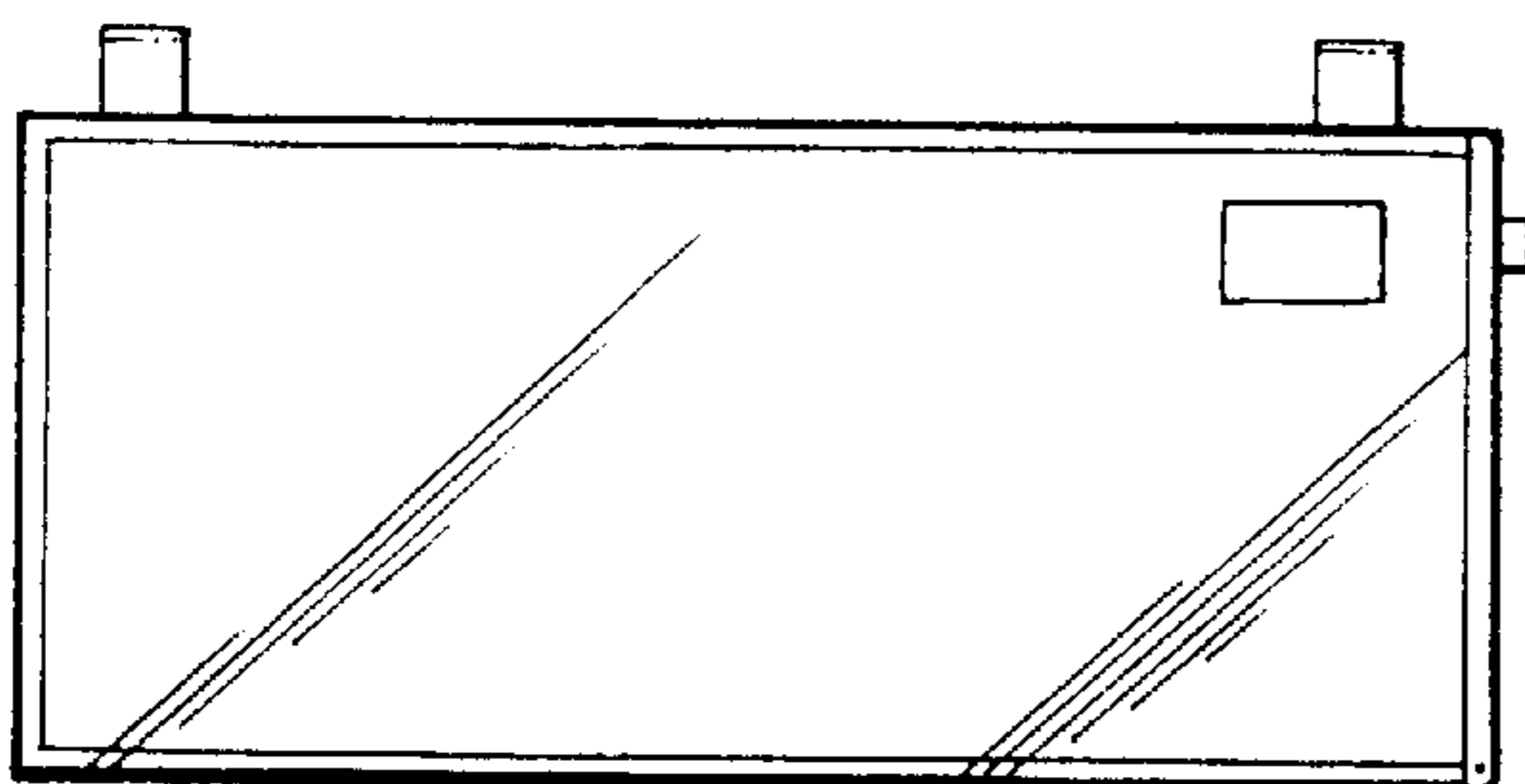


FIG. 3