



US00D535802S

(12) **United States Design Patent**
Wittkowski

(10) **Patent No.:** **US D535,802 S**
(45) **Date of Patent:** **** Jan. 23, 2007**

(54) **POLY CART**

(75) **Inventor:** **Donald Richard Wittkowski**, Sullivan, IL (US)

(73) **Assignee:** **Agri-Fab, Inc.**, Sullivan, IL (US)

(**) **Term:** **14 Years**

(21) **Appl. No.:** **29/207,379**

(22) **Filed:** **Jun. 14, 2004**

(51) **LOC (8) Cl.** **12-02**

(52) **U.S. Cl.** **D34/12**

(58) **Field of Classification Search** D34/12-27;
280/646, 401, 47.18, 652, 475, 40, 645, 648,
280/482, 415.1, 416.1; 296/50; D12/101,
D12/102; D21/534; 293/102

See application file for complete search history.

(56) **References Cited**

U.S. PATENT DOCUMENTS

- 3,428,359 A * 2/1969 Kroetch 296/10
- 3,994,512 A * 11/1976 Parker et al. 280/687
- D271,094 S * 10/1983 Fisher D12/102
- 4,457,546 A * 7/1984 Wiant et al. 293/102

- 4,729,574 A * 3/1988 Tipke 280/415.1
- 5,170,746 A * 12/1992 Roose 119/512
- 6,378,893 B1 * 4/2002 Jager 280/656
- D471,845 S * 3/2003 Mighell D12/101

* cited by examiner

Primary Examiner—Freda S. Nunn

Assistant Examiner—Kevin K. Rudzinski

(74) *Attorney, Agent, or Firm*—Vedder Price Kaufman & Kammholz

(57) **CLAIM**

The ornamental design of the poly cart, as shown.

DESCRIPTION

FIG. 1 is a perspective view of an embodiment of the poly cart showing our design.

FIG. 2 is a front view of an embodiment of my design.

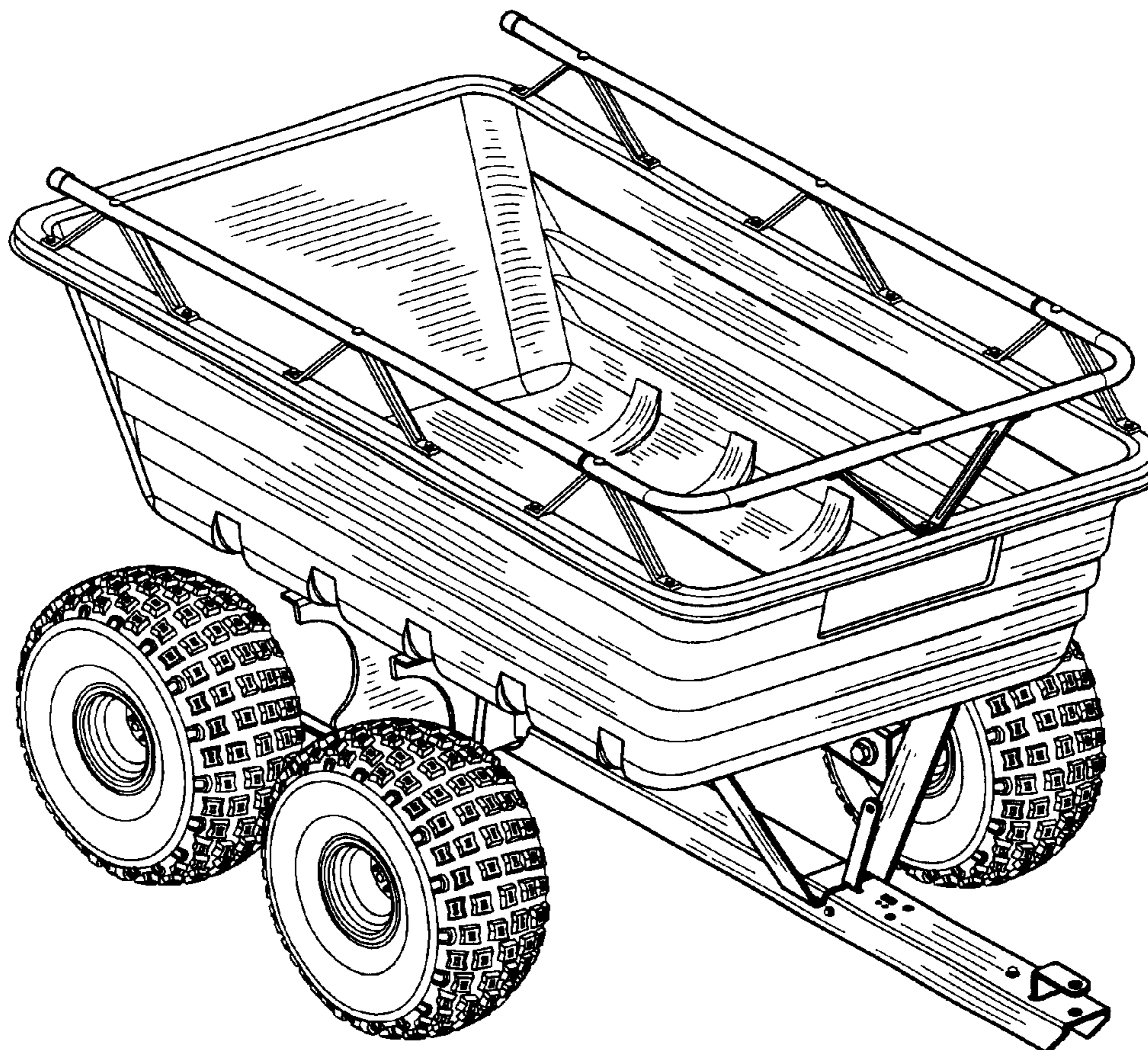
FIG. 3 is a back view of an embodiment of my design.

FIG. 4 is a view of one side of an embodiment of my design.

FIG. 5 is a view of the other side of an embodiment of my design.

FIG. 6 is a top view of an embodiment of my design; and, FIG. 7 is a bottom of an embodiment of my design.

1 Claim, 3 Drawing Sheets



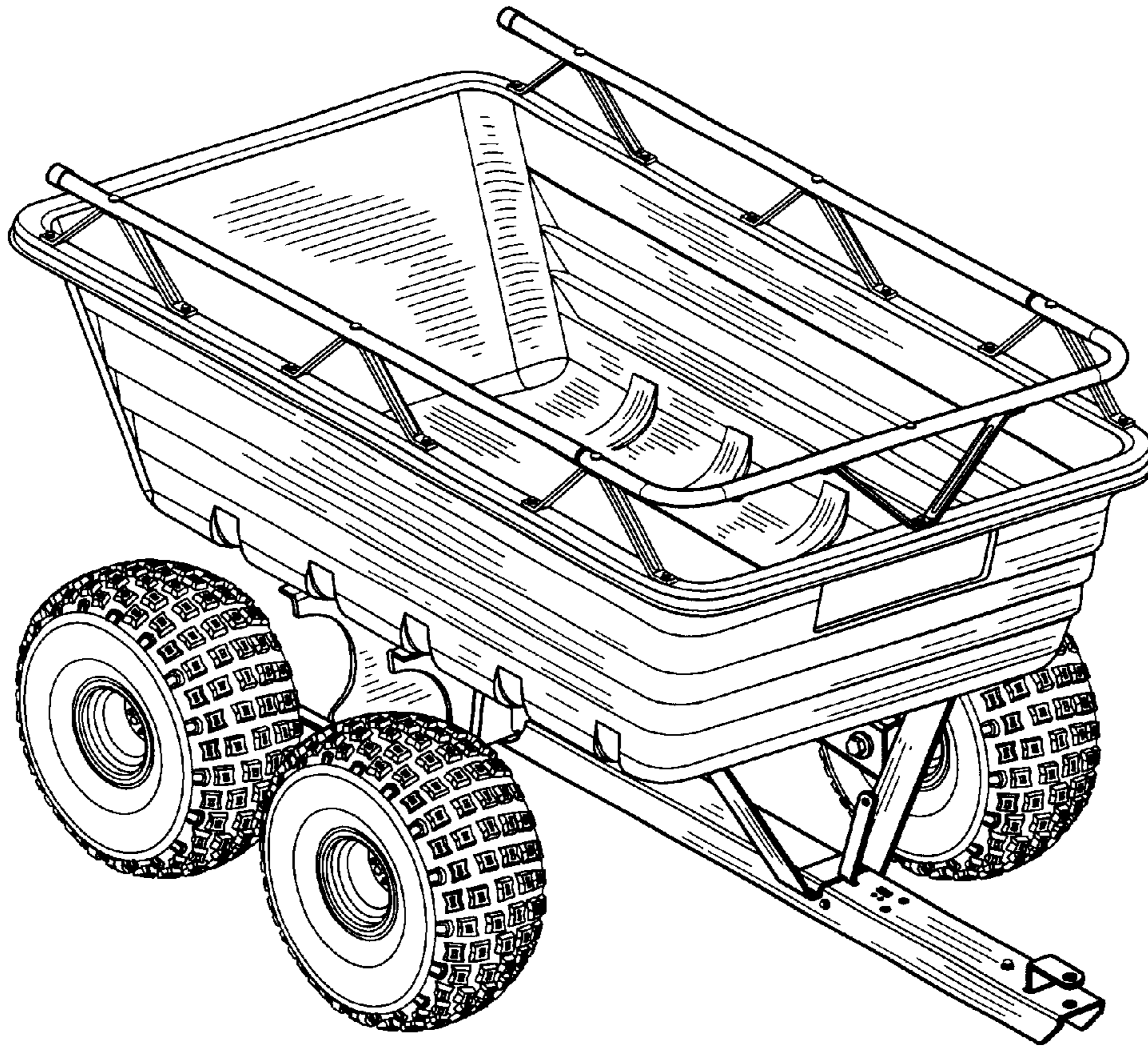


FIG. 1

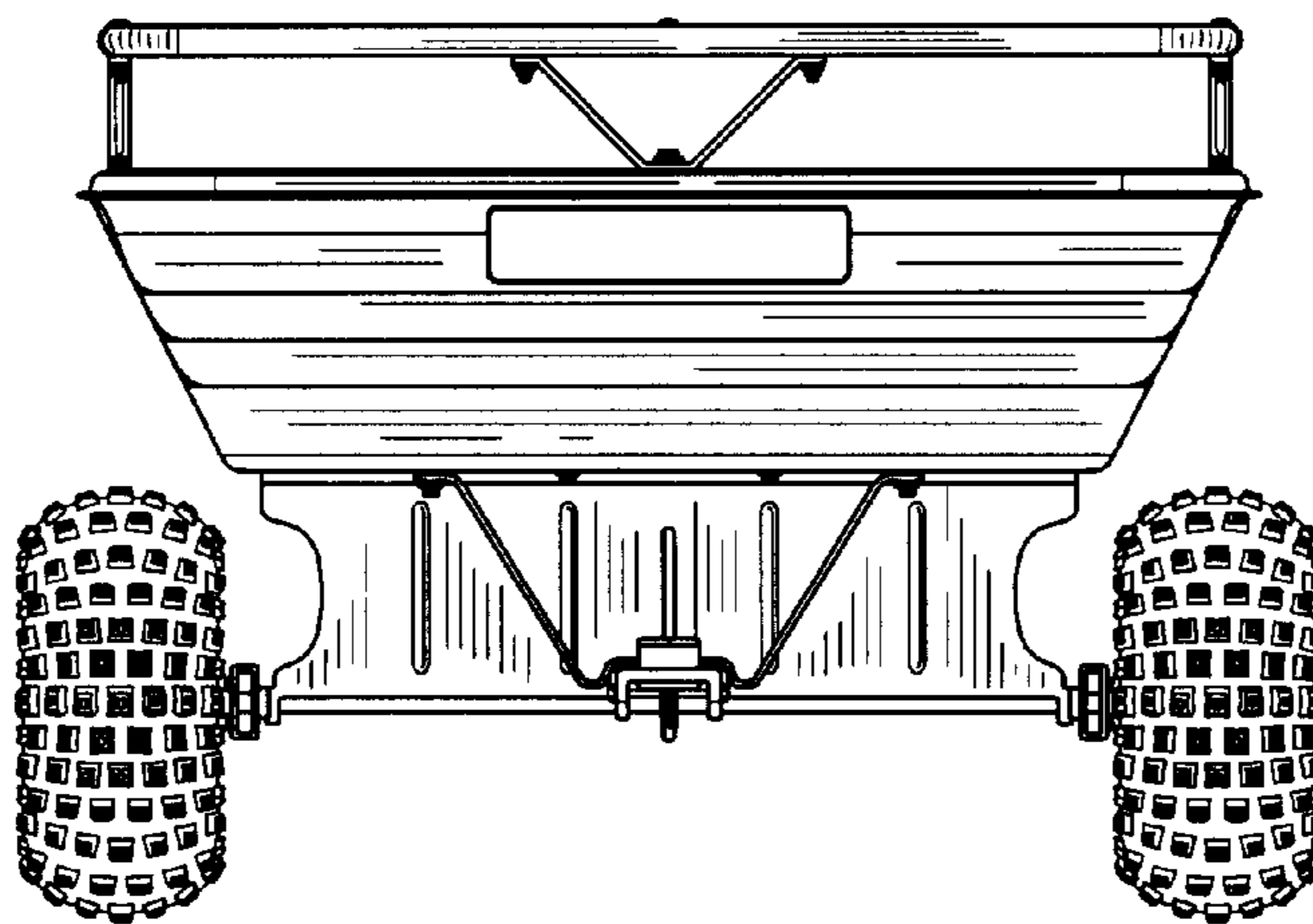


FIG. 2

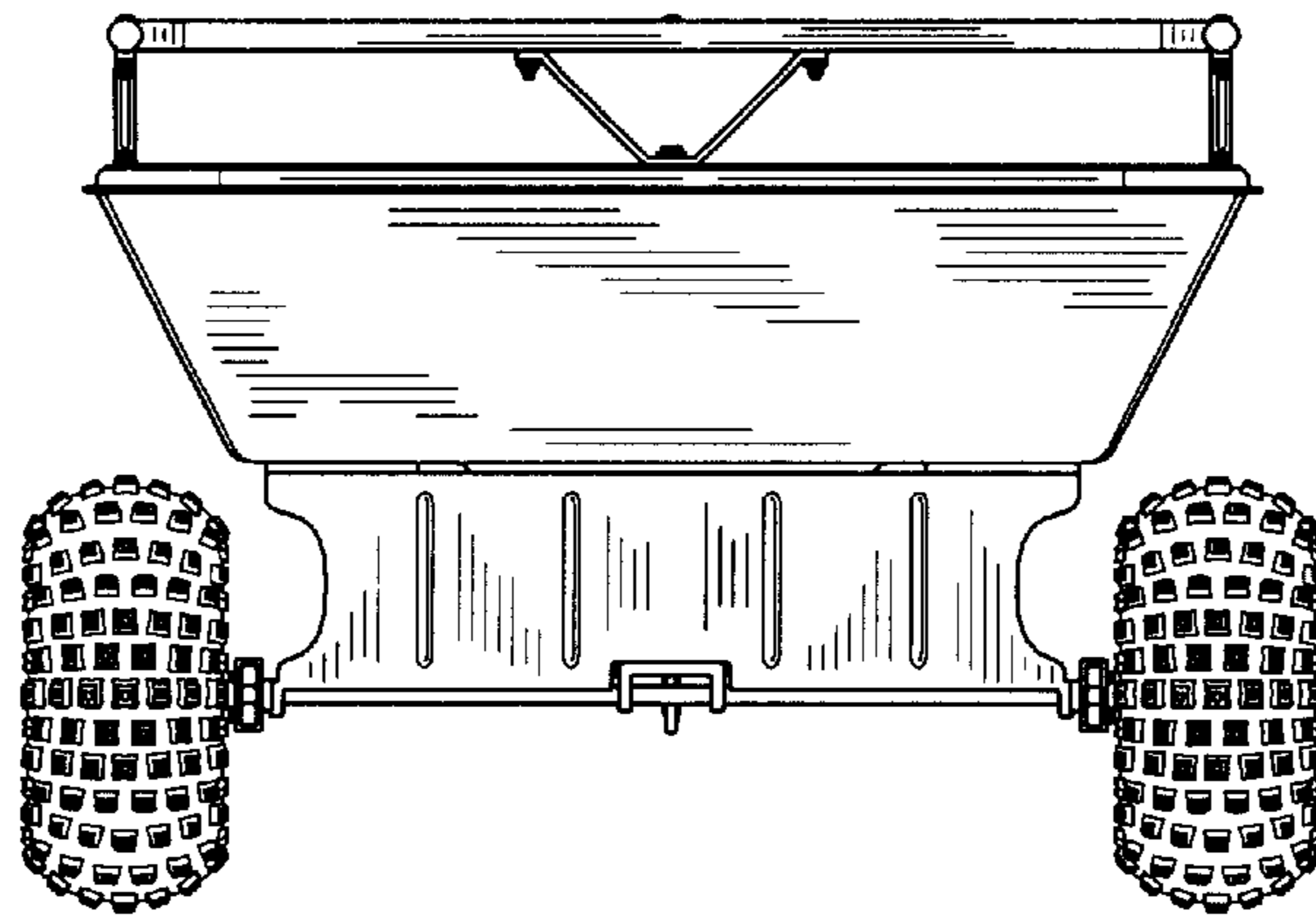


FIG. 3

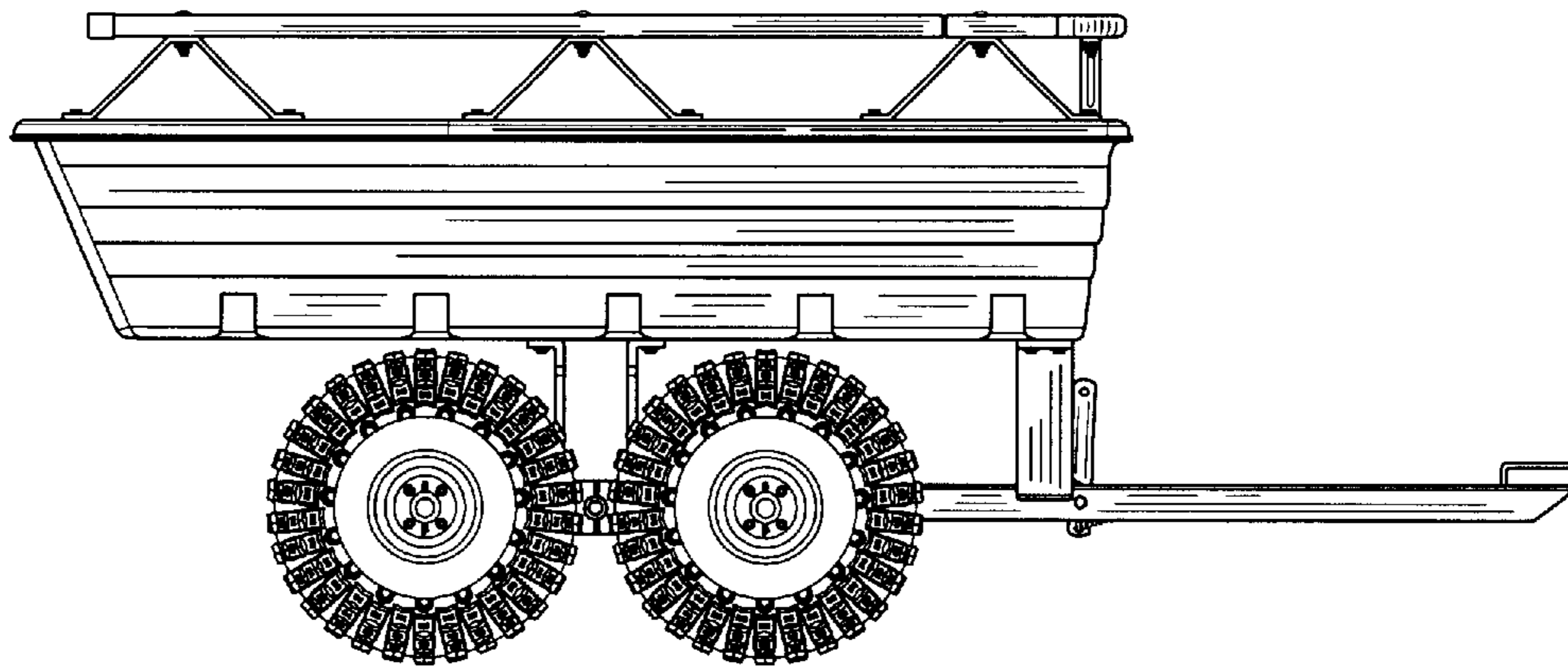


FIG. 4

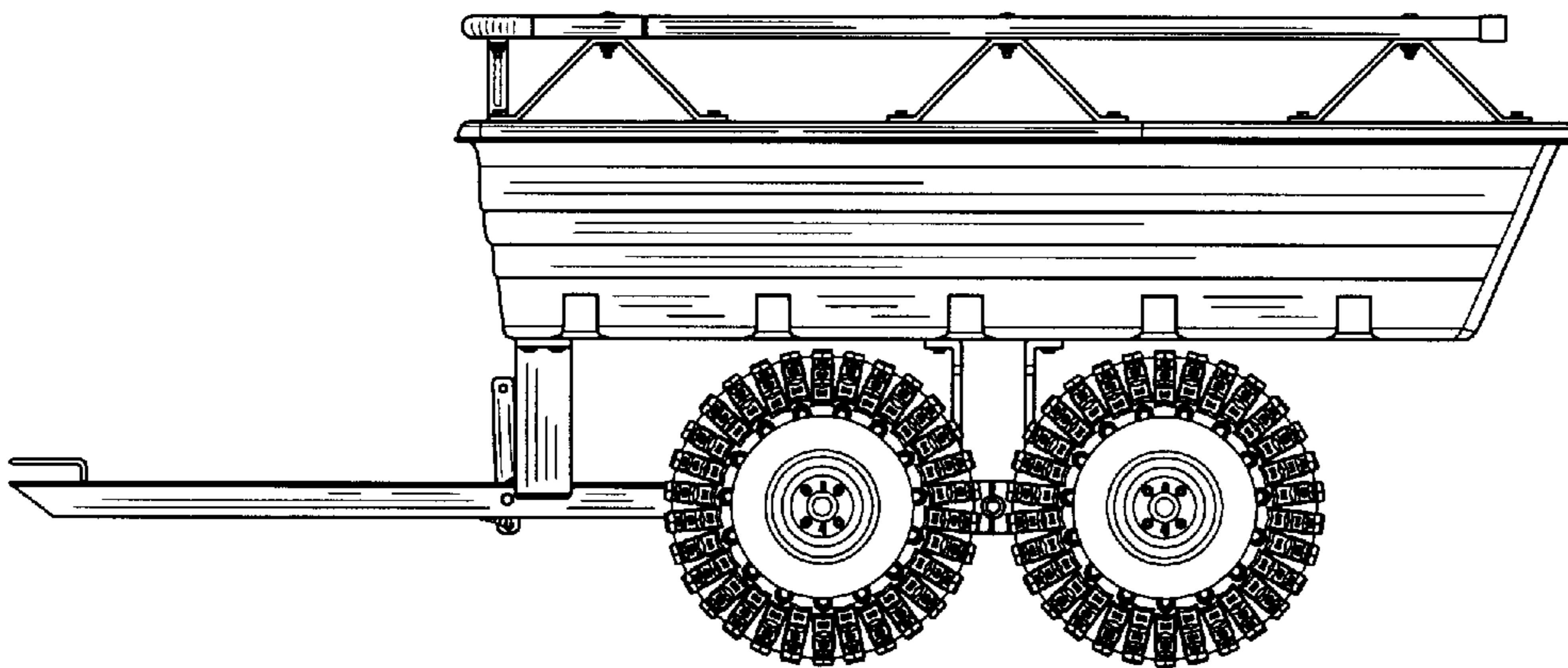


FIG. 5

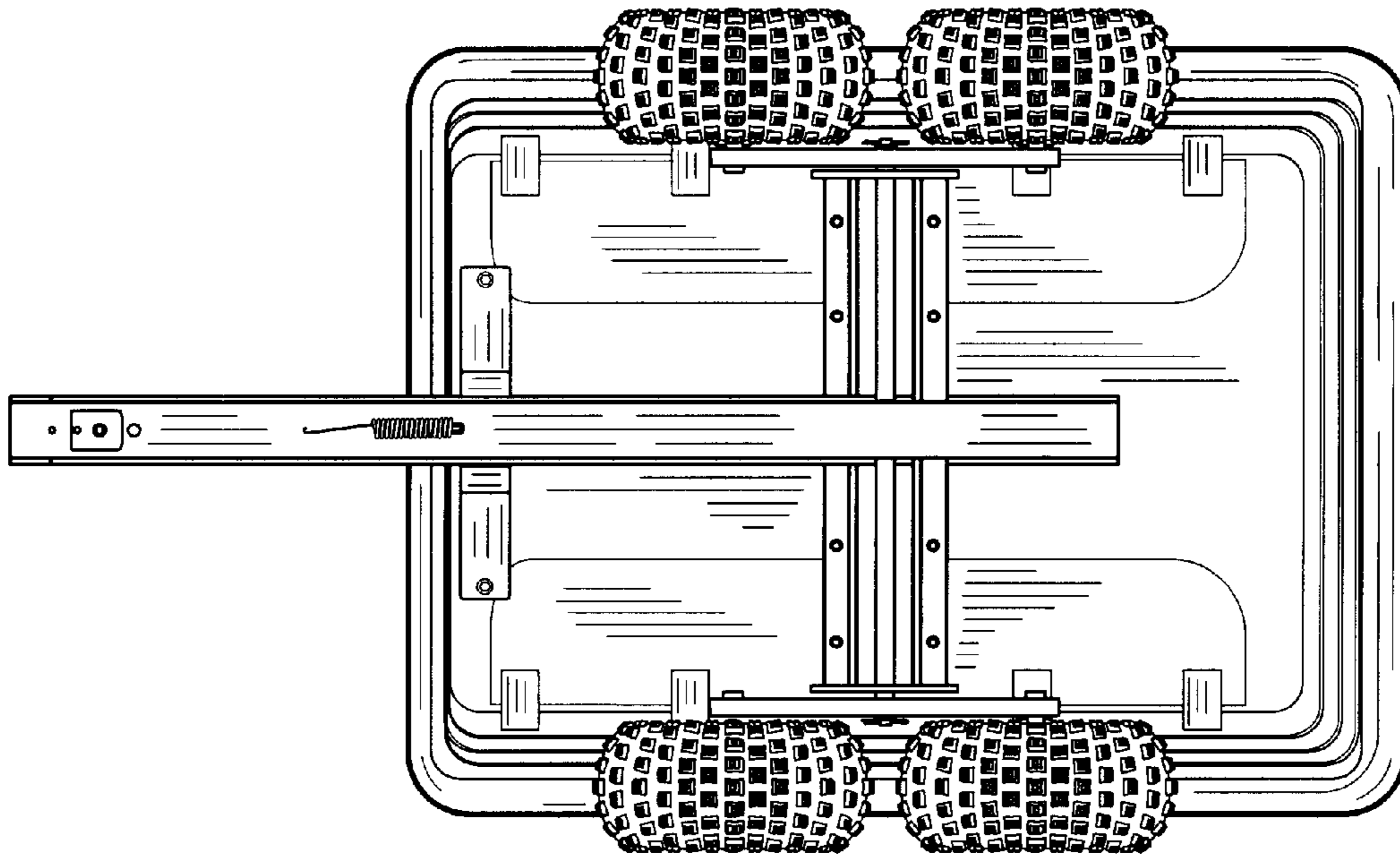


FIG. 7

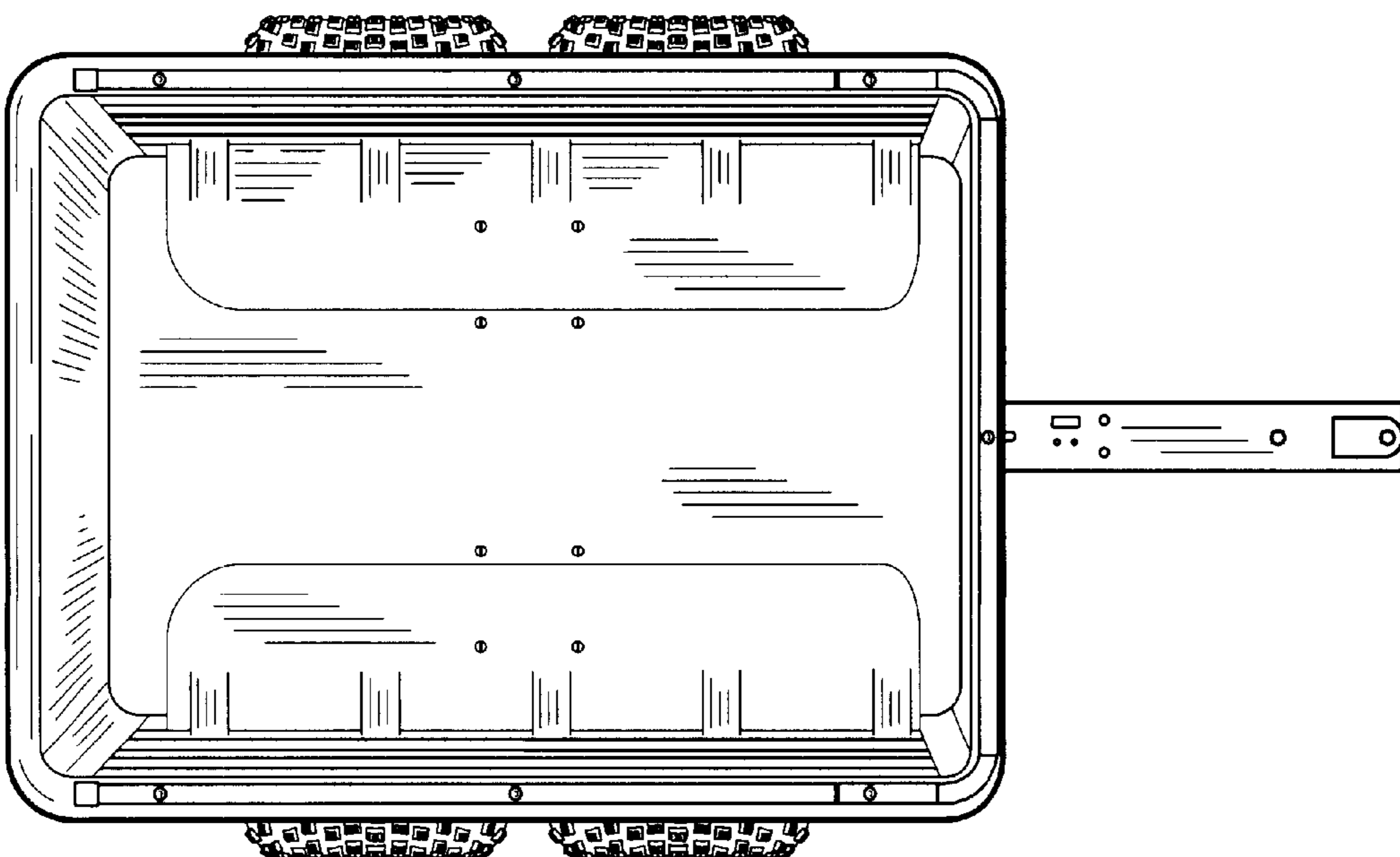


FIG. 6