



US00D535794S

(12) **United States Design Patent**  
**Lundy et al.**

(10) **Patent No.:** **US D535,794 S**

(45) **Date of Patent:** **\*\* Jan. 23, 2007**

(54) **PAINT DISTRIBUTION DEVICE AND BRUSH HOLDER**

(76) Inventors: **Michael J. Lundy**, 2718 W. Onza Cir., Mesa, AZ (US) 85202; **Ronald D. Pike**, 7815 N. 32<sup>nd</sup> Dr., Phoenix, AZ (US) 85051

(\*\*) **Term:** **14 Years**

(21) **Appl. No.:** **29/227,285**

(22) **Filed:** **Apr. 8, 2005**

(51) **LOC (8) Cl.** ..... **07-07**

(52) **U.S. Cl.** ..... **D32/53.1**

(58) **Field of Classification Search** ..... D32/53.1,  
D32/53-54; 15/257.05, 257.06; 206/505,  
206/510, 519-520; 220/570, 604, 660, 669,  
220/674, 696, 771

See application file for complete search history.

(56) **References Cited**

**U.S. PATENT DOCUMENTS**

3,351,970 A \* 11/1967 Engh ..... 15/257.06  
D248,335 S \* 6/1978 Cooke et al. .... D32/53.1  
4,297,762 A \* 11/1981 Crysdale ..... 15/257.06

4,860,891 A \* 8/1989 Biggio ..... 206/362  
5,493,751 A \* 2/1996 Misiukowiec et al. ... 15/257.06  
5,511,279 A \* 4/1996 Ippolito ..... 15/257.06  
D458,723 S \* 6/2002 Malvasio ..... D32/53.1  
D472,684 S \* 4/2003 Bebak ..... D32/53.1  
6,622,340 B1 \* 9/2003 Rosa ..... 15/257.06  
D482,830 S \* 11/2003 Kohn ..... D32/53.1

\* cited by examiner

*Primary Examiner*—Pamela J. Burgess

(74) *Attorney, Agent, or Firm*—Parsons & Goltry; Robert A. Parsons; Michael W. Goltry

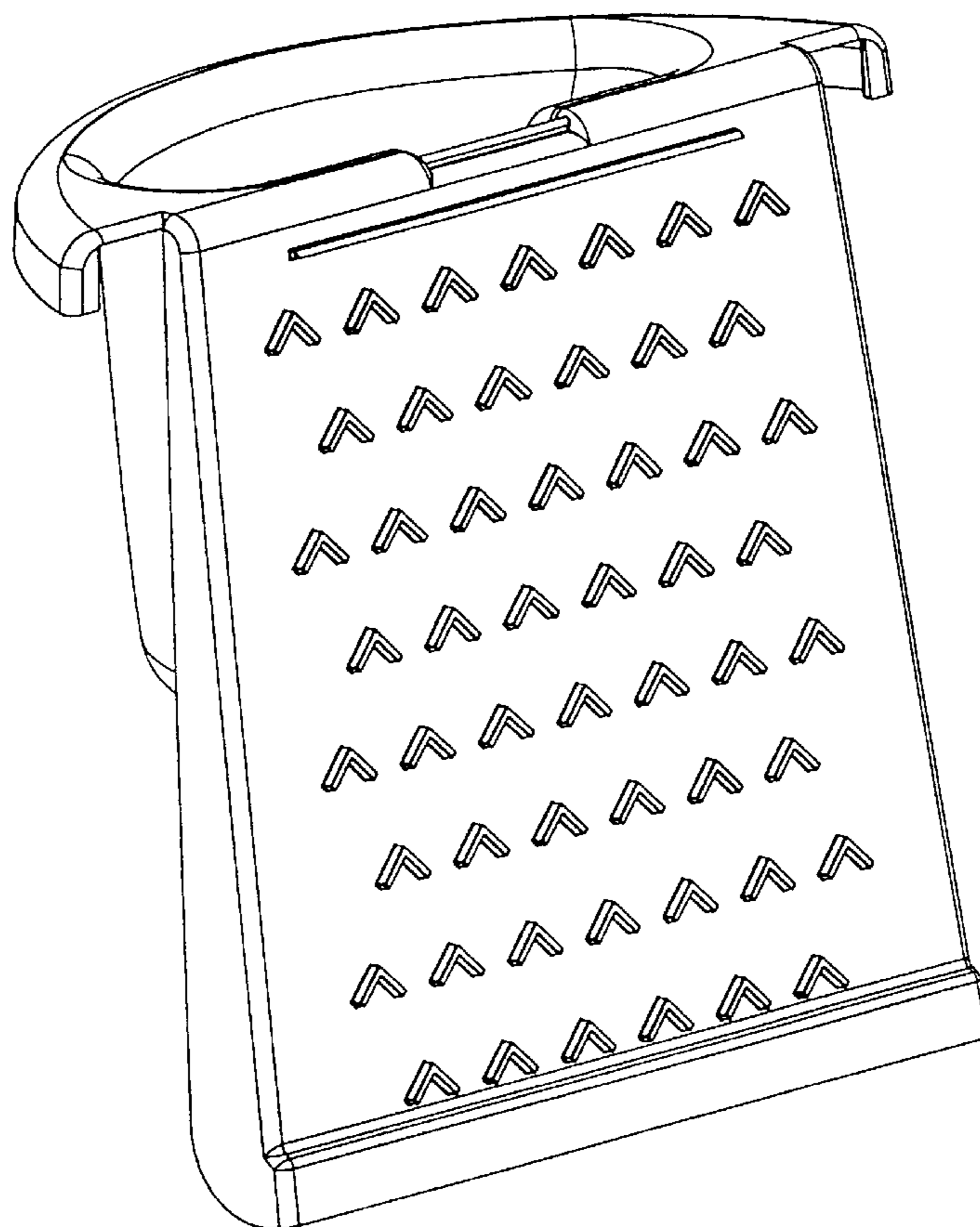
(57) **CLAIM**

The ornamental design for a paint distribution device and brush holder, as shown and described.

**DESCRIPTION**

FIG. 1 is a perspective view of a paint distribution device and brush holder showing my new design;  
FIG. 2 is a front plan view thereof;  
FIG. 3 is a side elevation view thereof; the opposite side elevation view being a substantial mirror image thereof;  
FIG. 4 is a top plan view thereof; and,  
FIG. 5 is bottom plan view thereof.

**1 Claim, 5 Drawing Sheets**



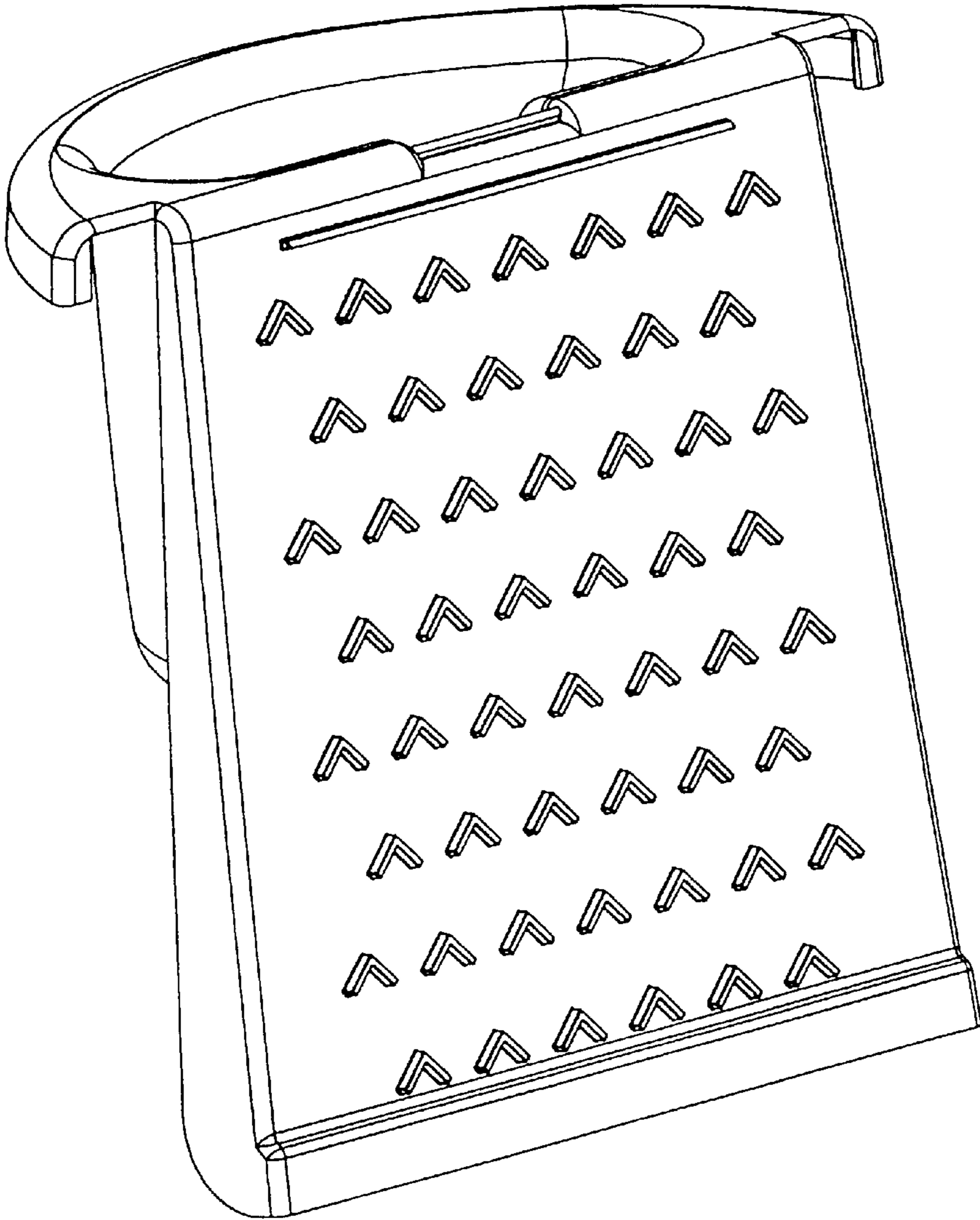


FIG. 1.

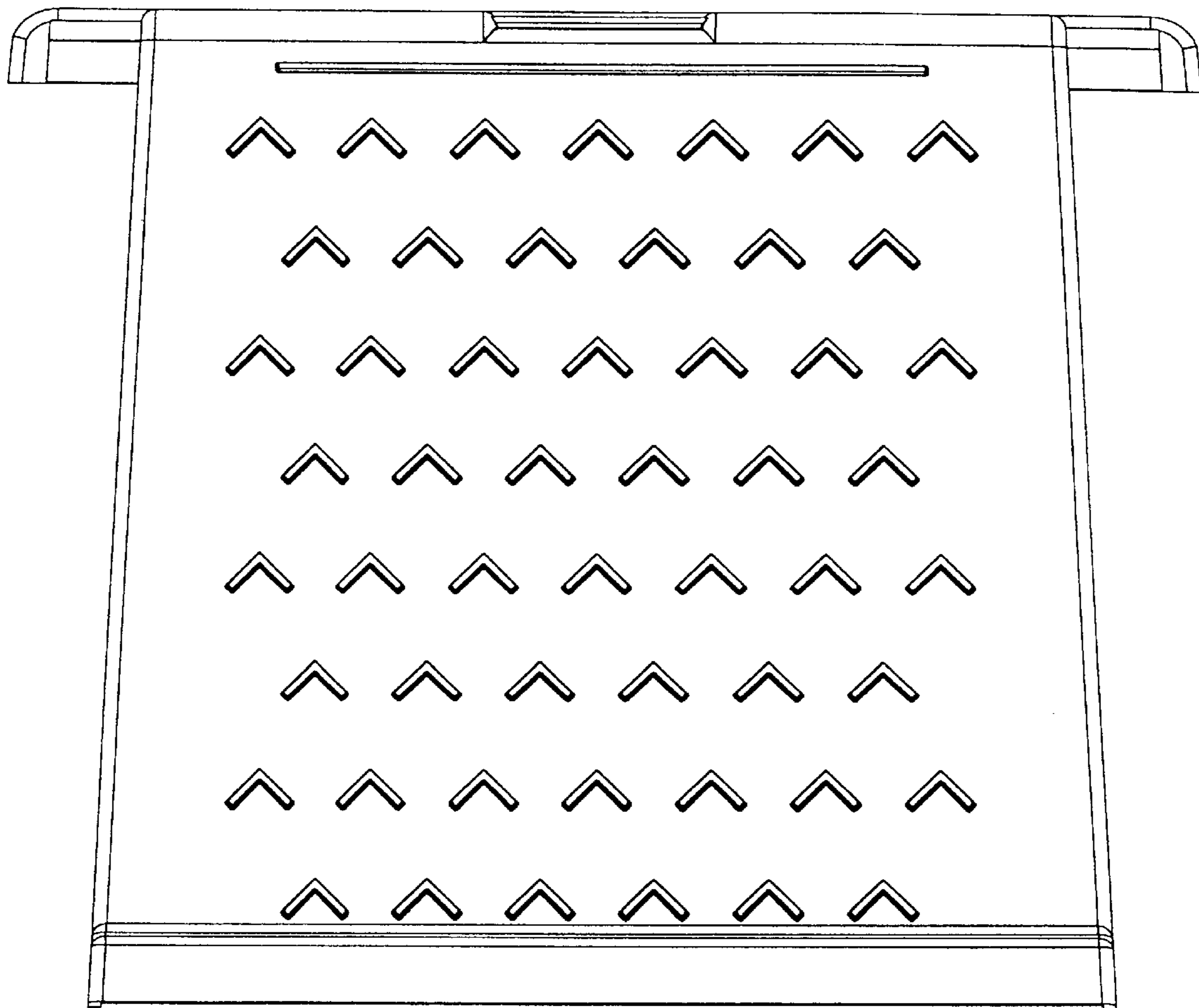


FIG. 2.

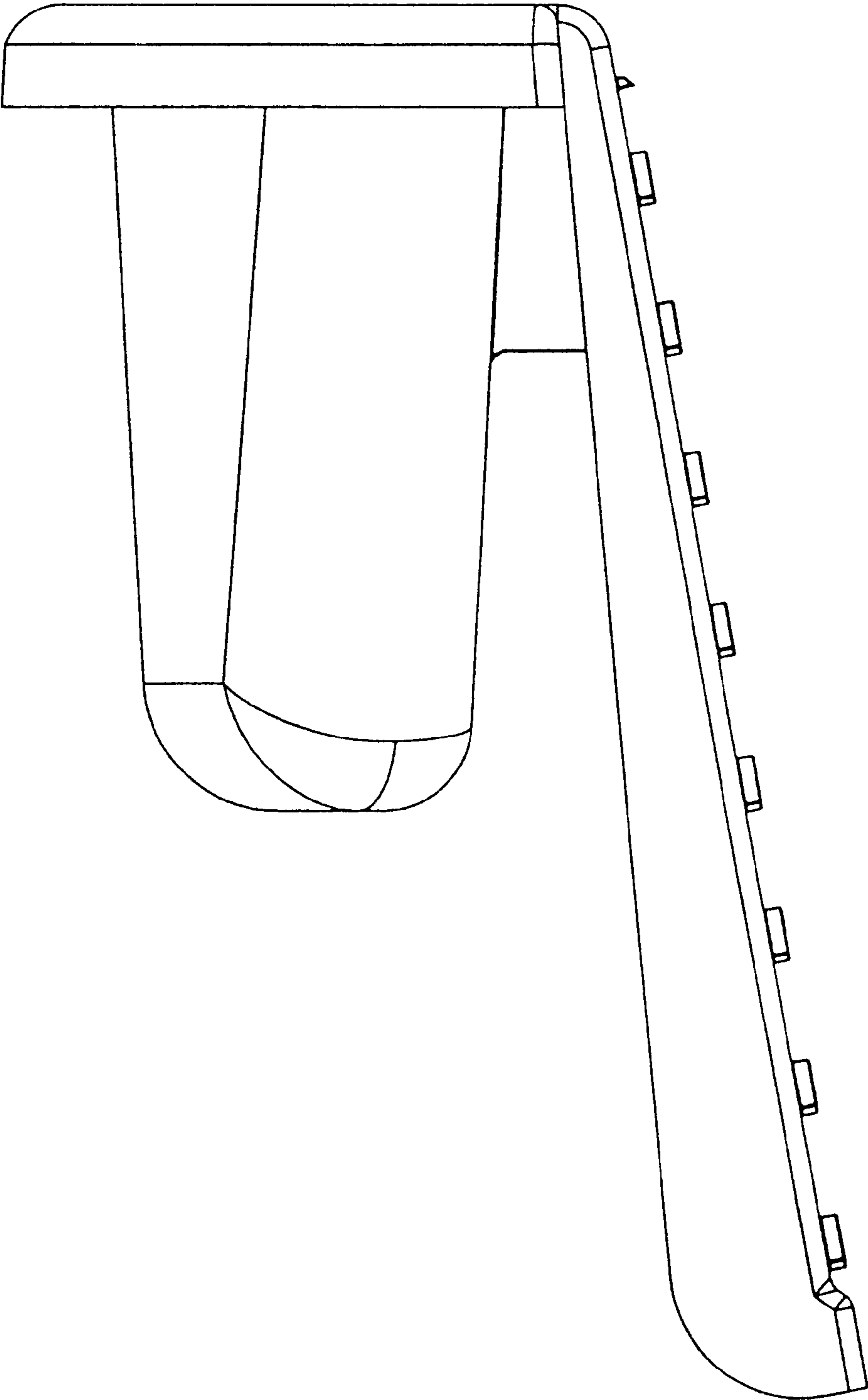


FIG. 3.

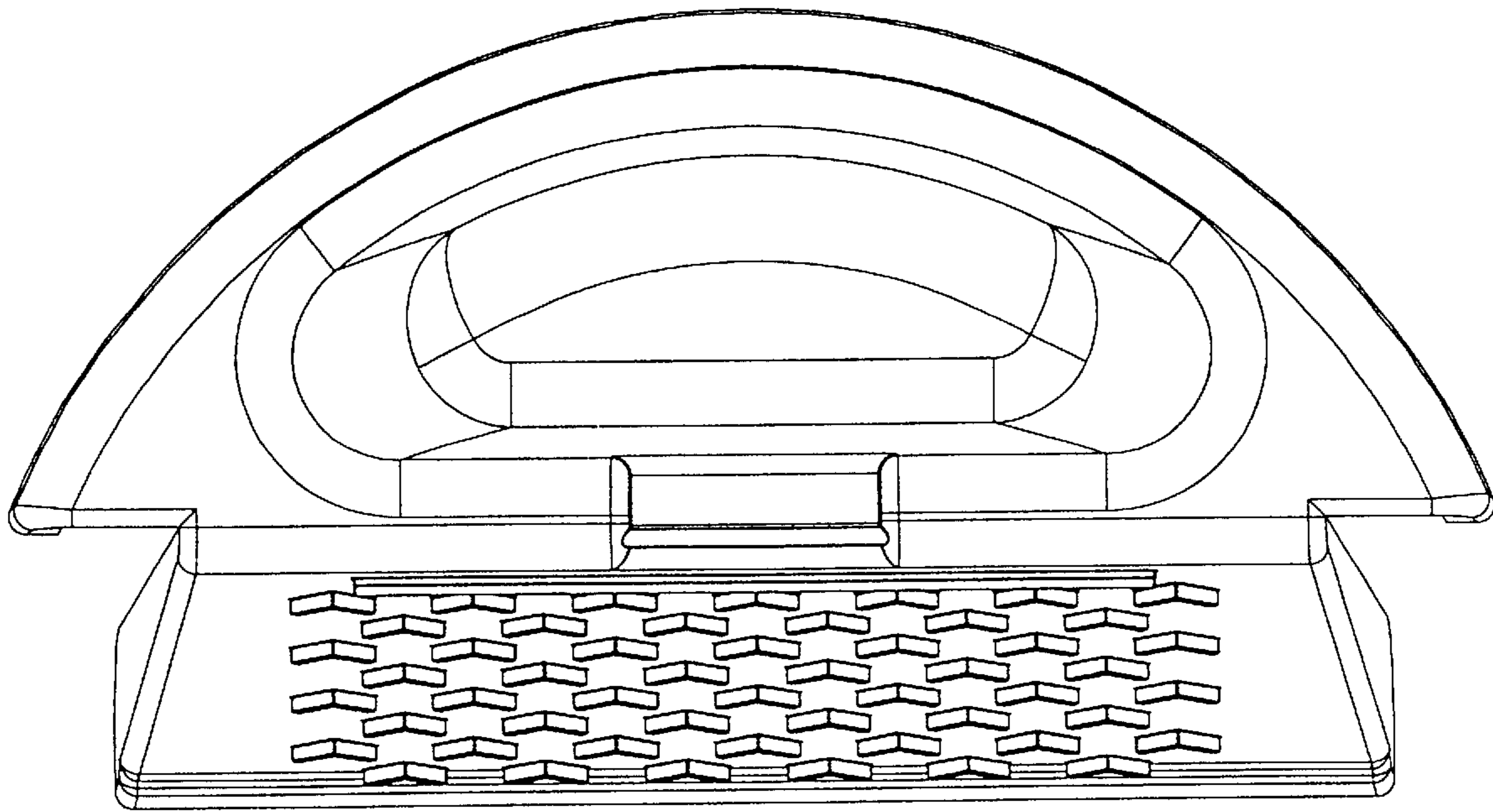


FIG. 4.

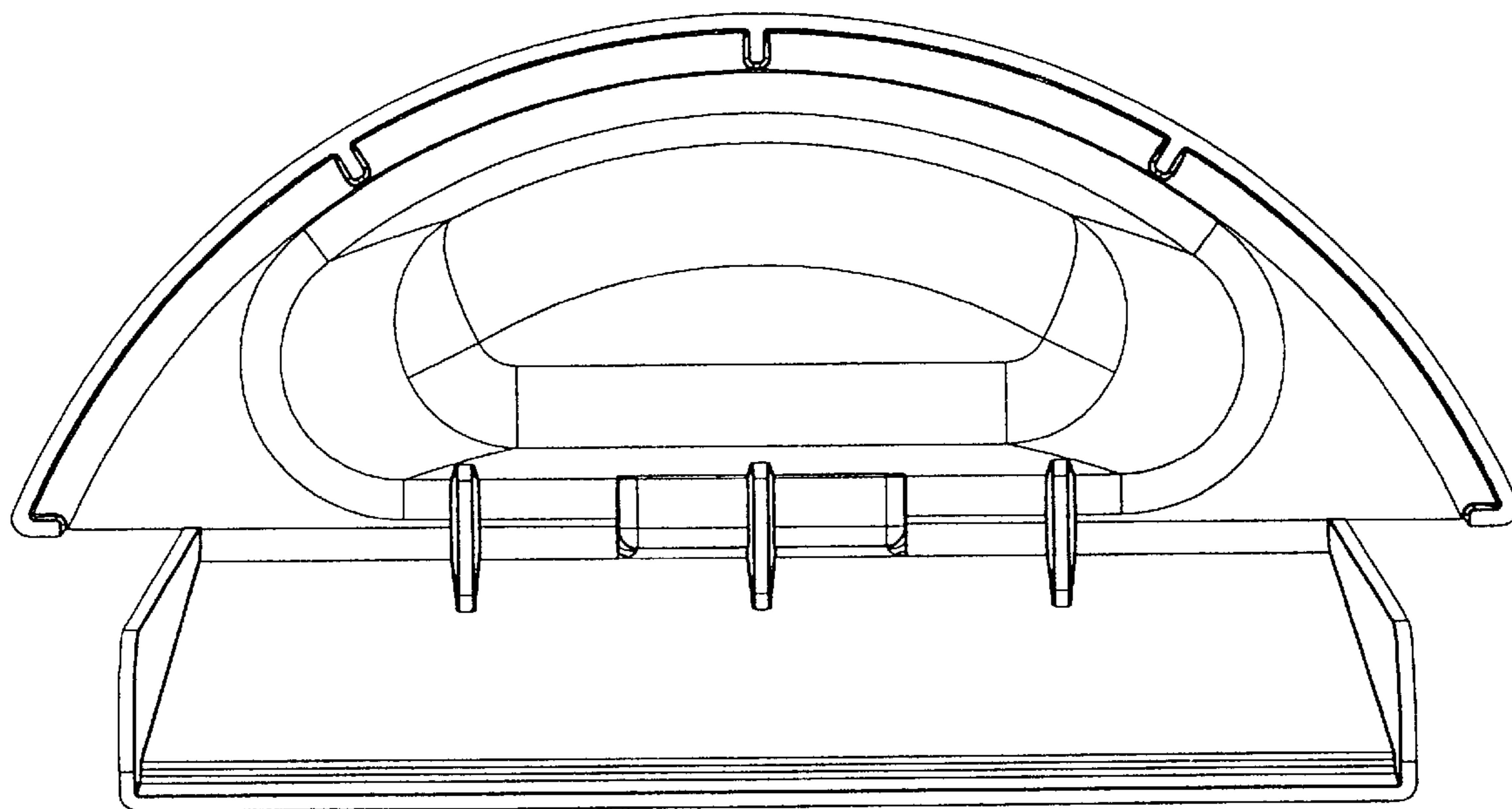


FIG.5.