



US00D535792S

(12) **United States Design Patent**
Choi

(10) **Patent No.:** **US D535,792 S**

(45) **Date of Patent:** **** Jan. 23, 2007**

(54) **VACUUM CLEANER**

(75) **Inventor:** **Kyu Kwan Choi, Kyunggi-do (KR)**

(73) **Assignee:** **LG Electronics Inc., Seoul (KR)**

(**) **Term:** **14 Years**

(21) **Appl. No.:** **29/238,020**

(22) **Filed:** **Sep. 12, 2005**

(30) **Foreign Application Priority Data**

Mar. 30, 2005 (KR) 30-2005-0010470

(51) **LOC (8) Cl.** **15-05**

(52) **U.S. Cl.** **D32/22**

(58) **Field of Classification Search** D32/22,
D32/31; 15/222, 320-322, 326, 329, 347,
15/350, 352-354, 361, 410, 412, 415.1; 55/337,
55/345, 459.1, 429, DIG. 3
See application file for complete search history.

(56) **References Cited**

U.S. PATENT DOCUMENTS

D455,530 S * 4/2002 Fujii D32/22

D462,813 S * 9/2002 Nakano et al. D32/22
D510,465 S * 10/2005 Takahashi et al. D32/22
D516,760 S * 3/2006 Choi D32/22

* cited by examiner

Primary Examiner—Ruth McInroy

(74) *Attorney, Agent, or Firm*—Birch, Stewart, Kolasch and Birch, LLP

(57) **CLAIM**

I claim the ornamental design for vacuum cleaner, as shown and described.

DESCRIPTION

FIG. 1 is a perspective view of vacuum cleaner showing the new design:

FIG. 2 is a front elevation view thereof;

FIG. 3 is a rear elevation view thereof;

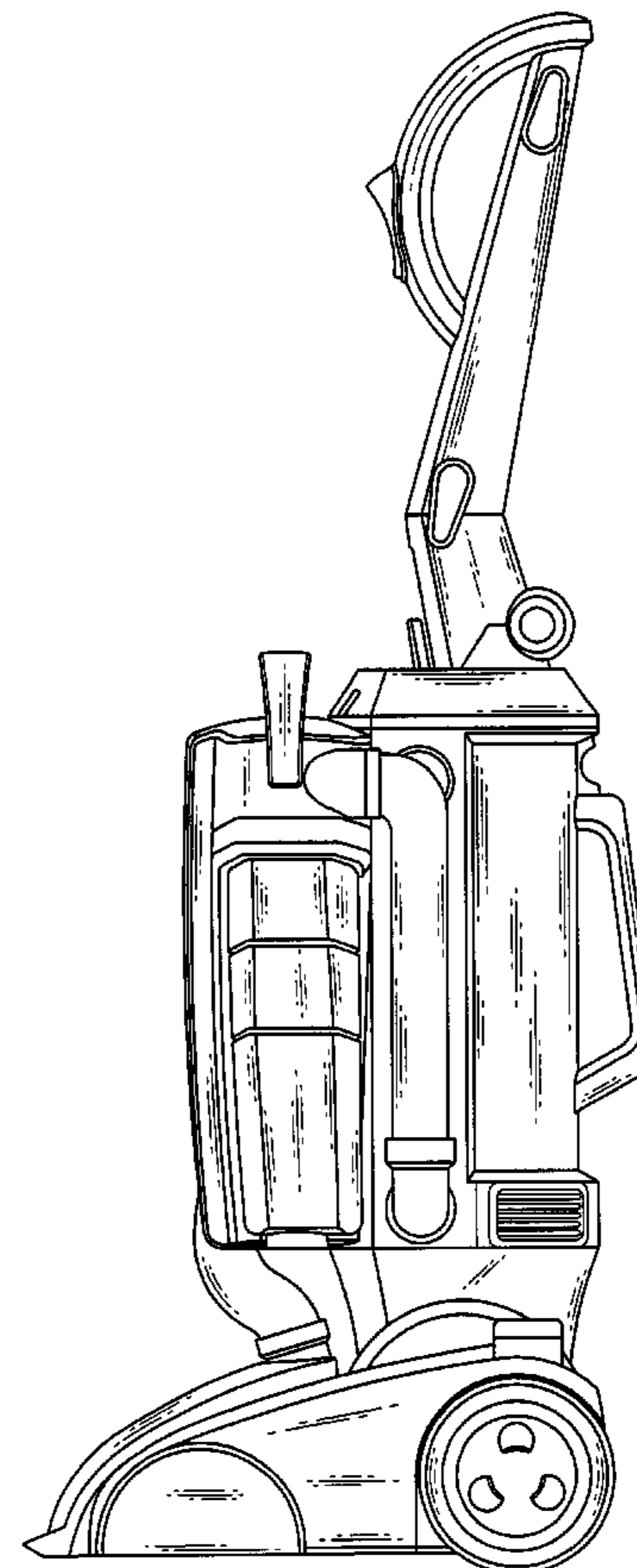
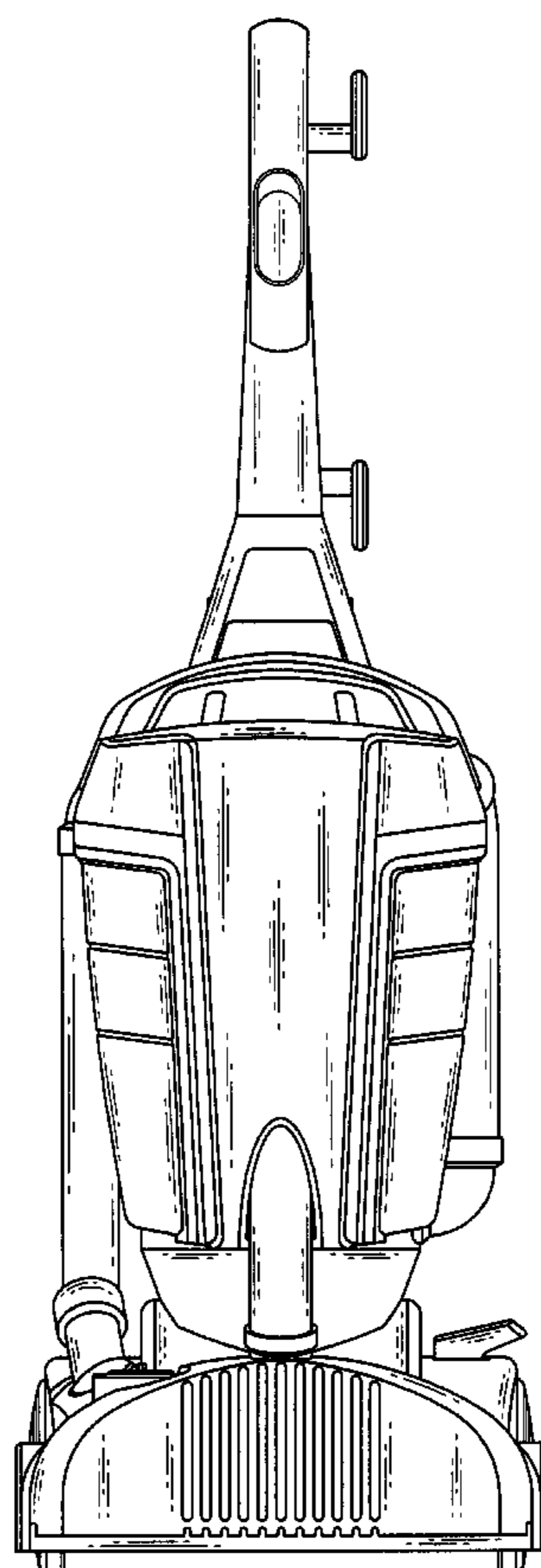
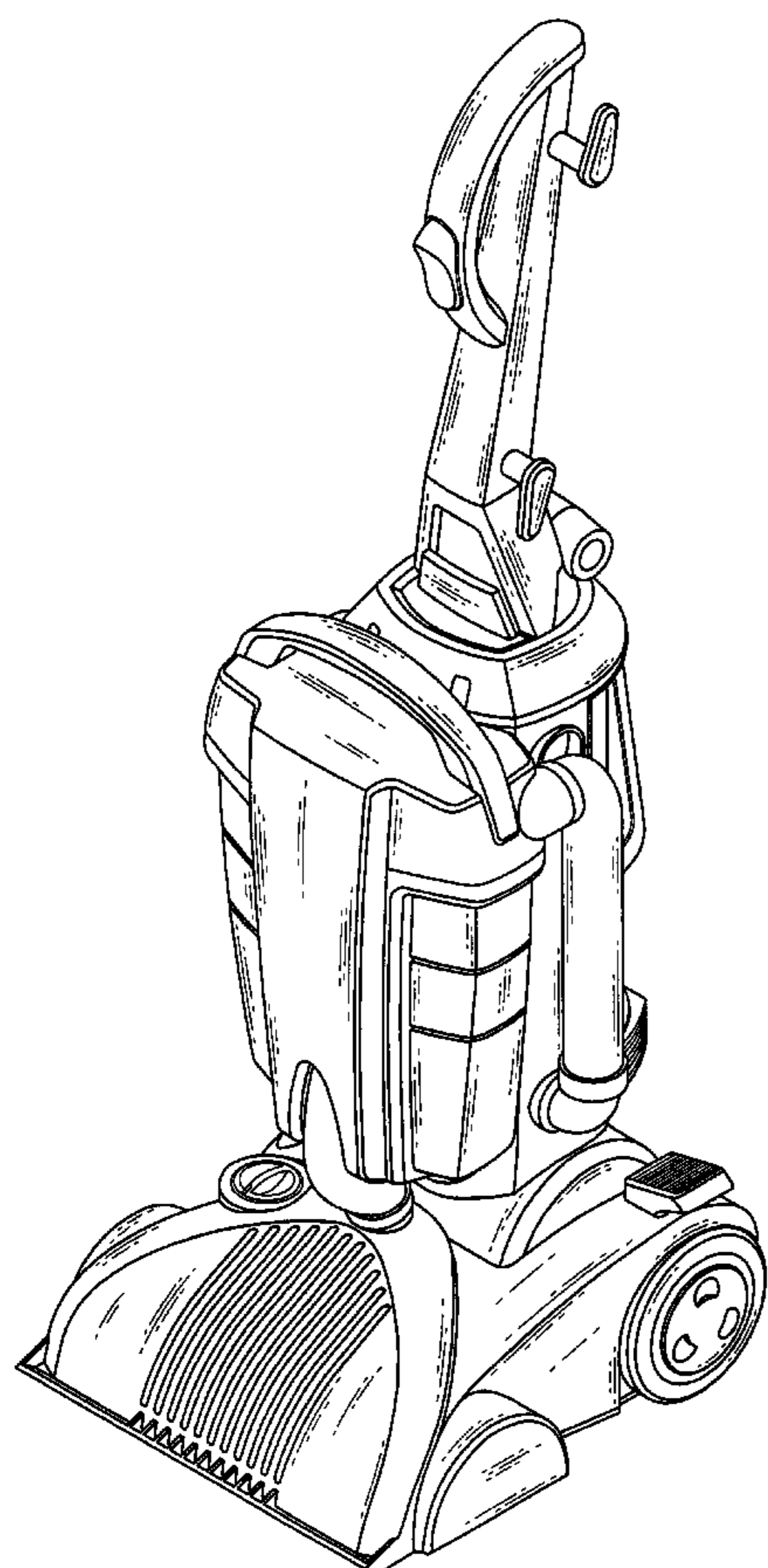
FIG. 4 is a left-side elevation view thereof;

FIG. 5 is a right-side elevation view thereof;

FIG. 6 is a top plan view thereof; and,

FIG. 7 is a bottom plan view thereof.

1 Claim, 5 Drawing Sheets



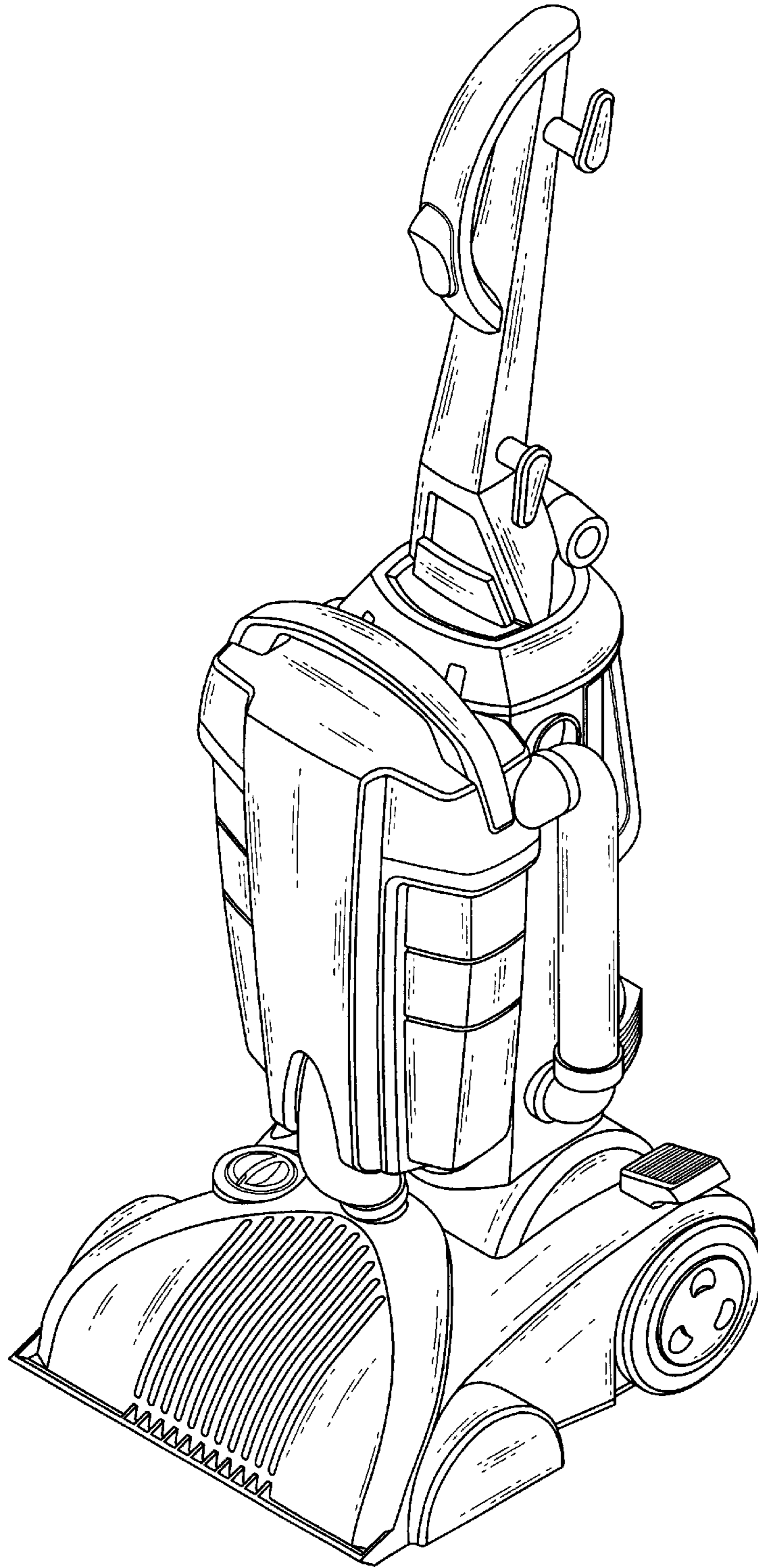


FIG. 1

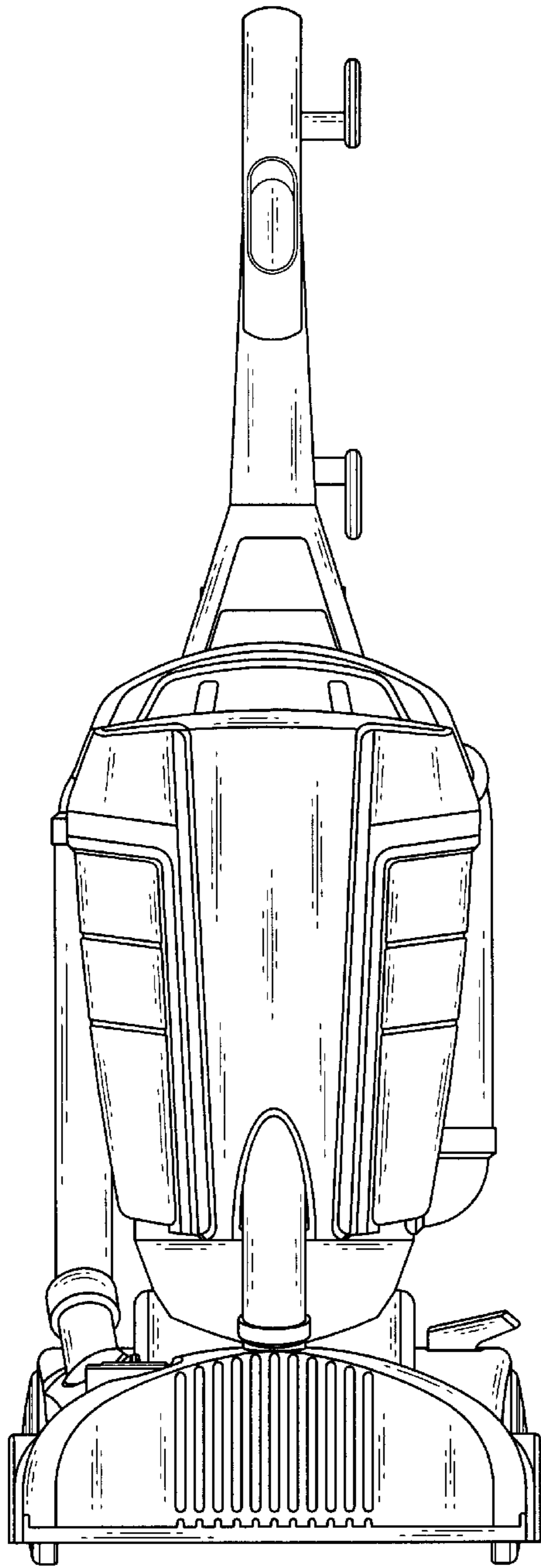


FIG.2

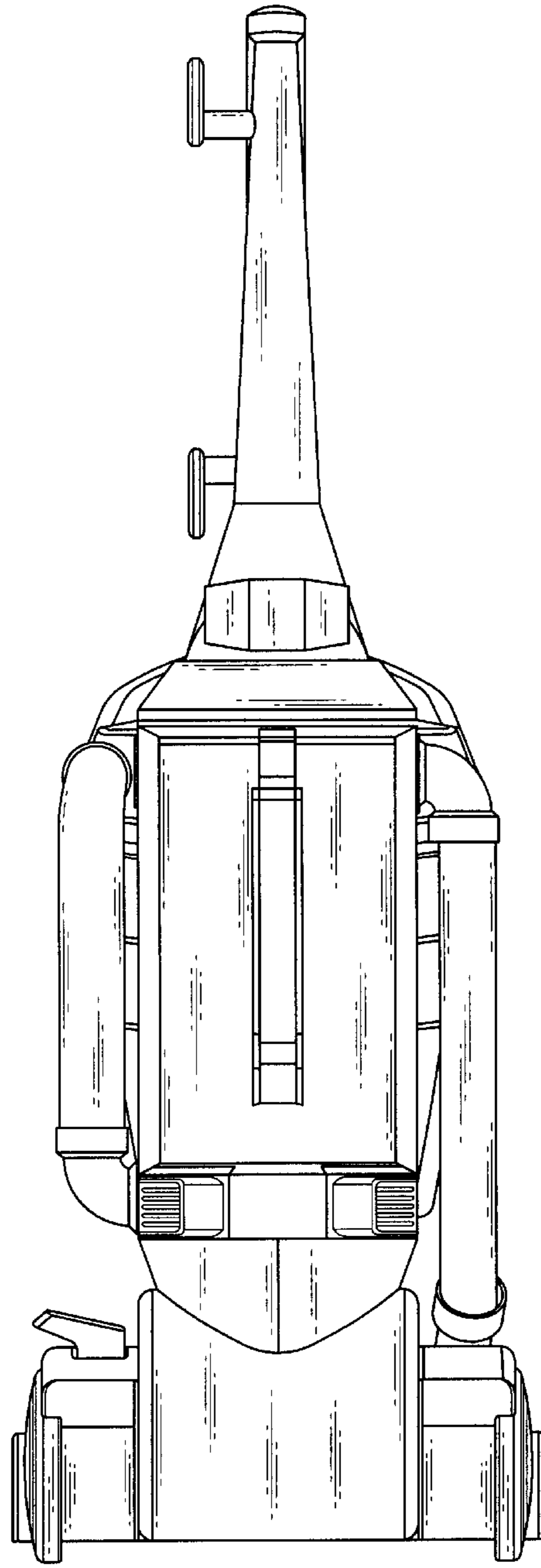


FIG.3

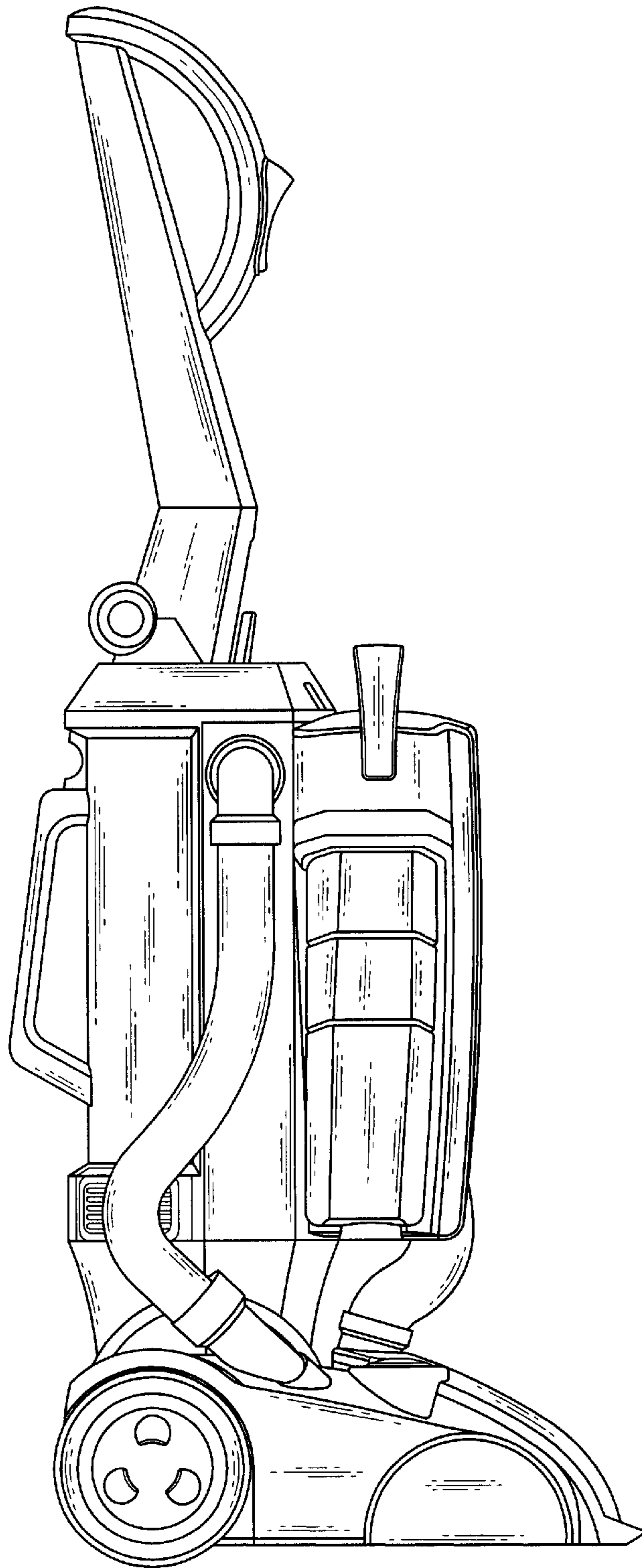


FIG.4

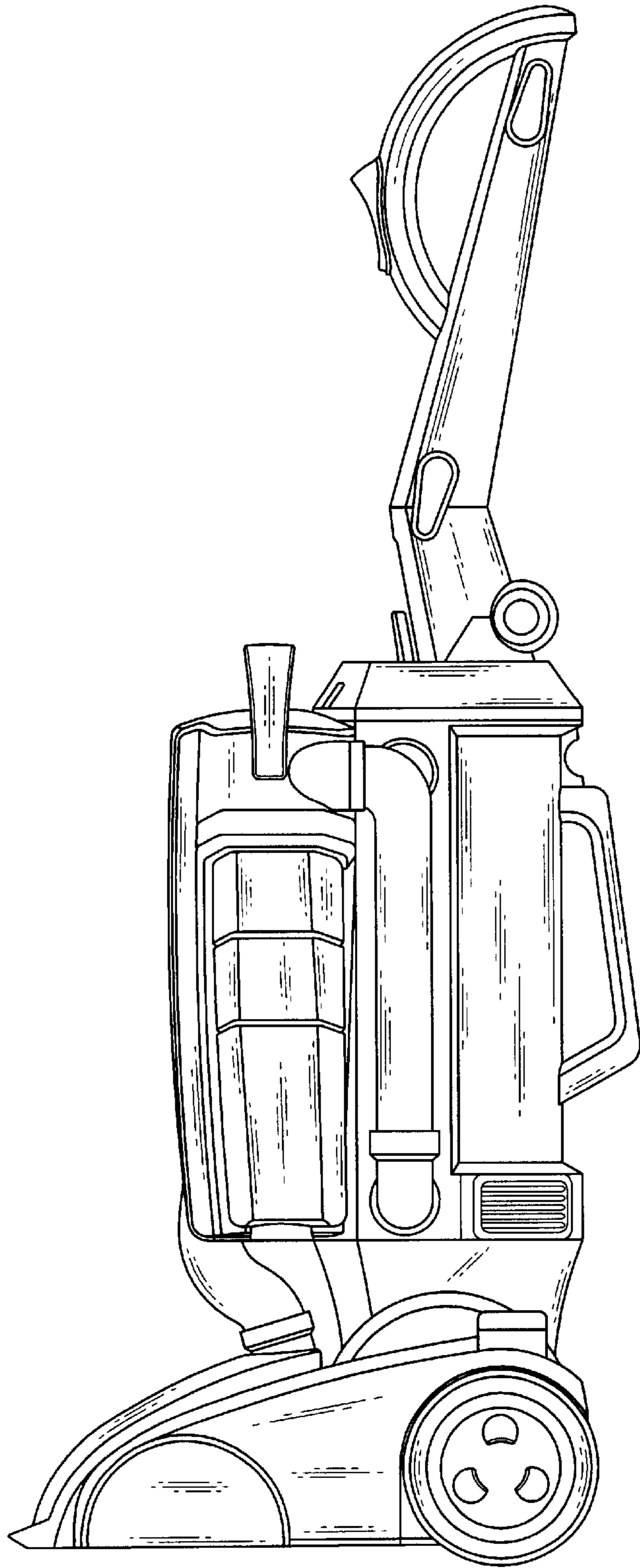


FIG.5

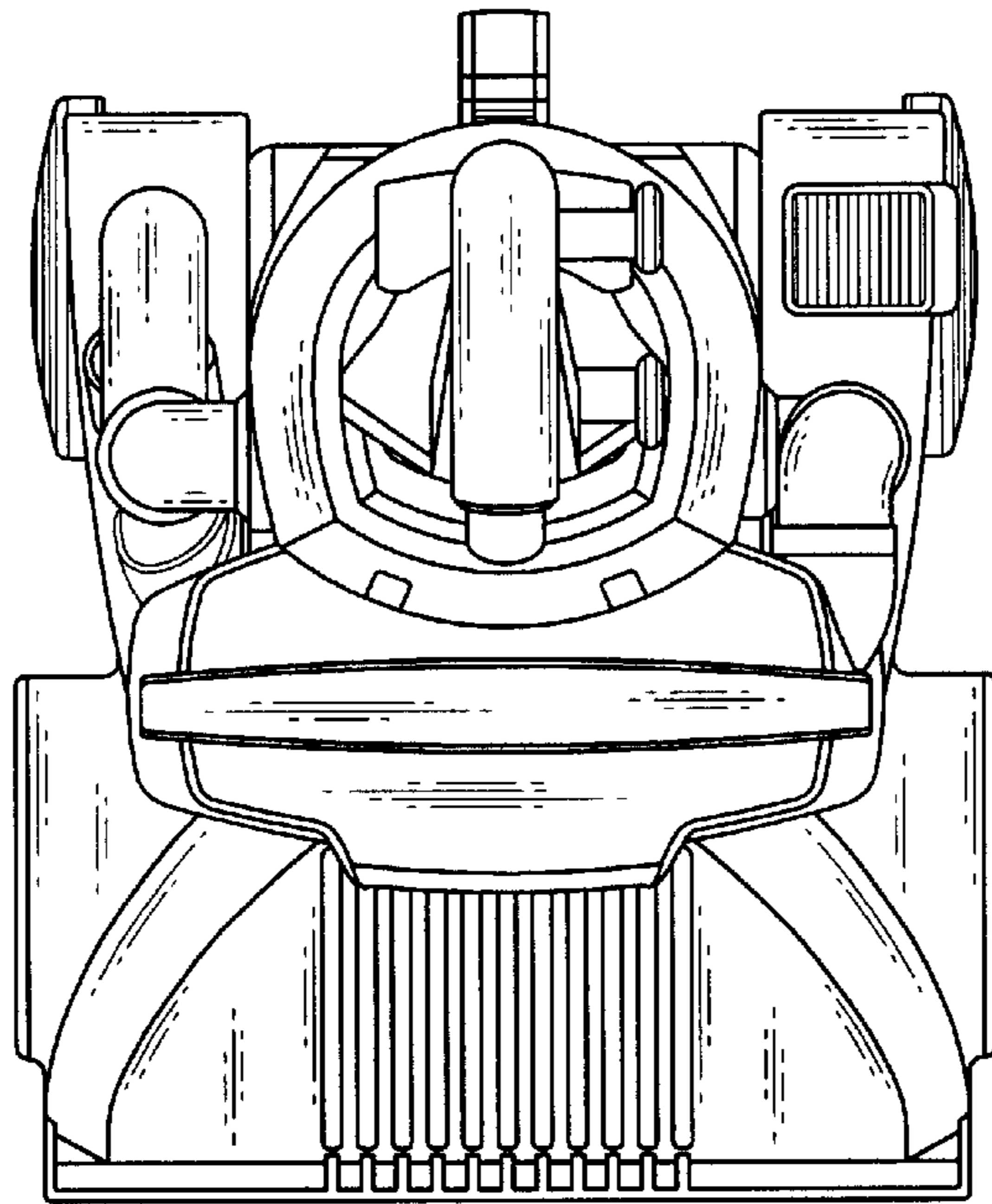


FIG. 6

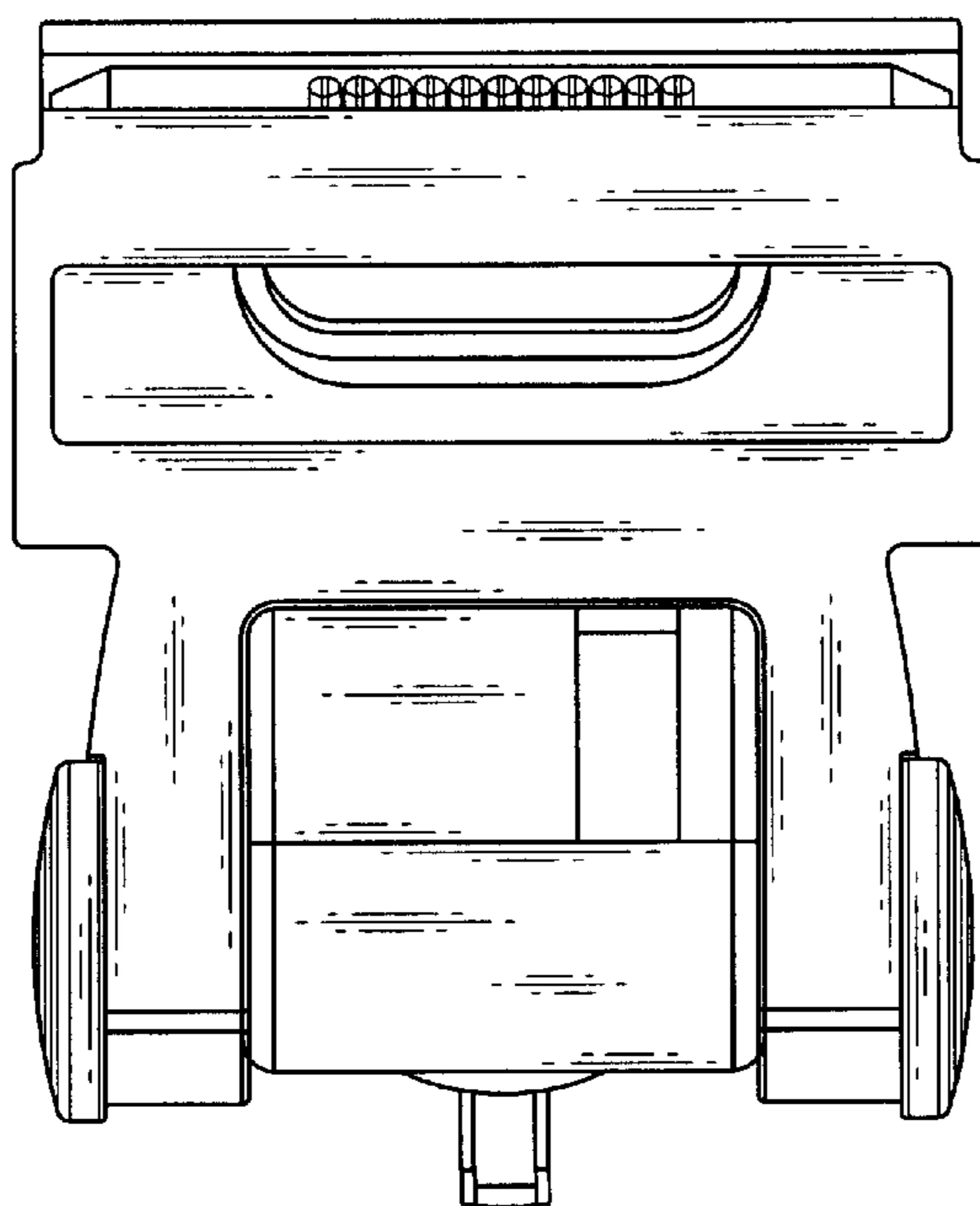


FIG. 7