



US00D535791S

(12) **United States Design Patent**
Renforth

(10) **Patent No.:** **US D535,791 S**

(45) **Date of Patent:** **** Jan. 23, 2007**

(54) **REVOLVING ANCHORED PET TOY**

(75) Inventor: **Jack W. Renforth**, Aurora, CO (US)

(73) Assignee: **Aspen Pet Products, Inc.**, Denver, CO (US)

(**) Term: **14 Years**

(21) Appl. No.: **29/213,144**

(22) Filed: **Sep. 13, 2004**

(51) **LOC (8) Cl.** **30-99**

(52) **U.S. Cl.** **D30/160**

(58) **Field of Classification Search** D30/160,
D30/199; 119/701-711; D21/406, 408, 490,
D21/498, 576, 599, 656
See application file for complete search history.

(56) **References Cited**

U.S. PATENT DOCUMENTS

D300,441 S	*	3/1989	Ryland	D21/653
D314,593 S	*	2/1991	Crist et al.	D21/656
D373,662 S	*	9/1996	Box	D30/160
D380,879 S	*	7/1997	Hernandez	D30/160
5,829,391 A	*	11/1998	Krietzman et al.	119/708
D411,042 S	*	6/1999	Willinger	D30/160
D411,358 S	*	6/1999	Baiera et al.	D30/160
D412,767 S	*	8/1999	Bemis et al.	D30/160

OTHER PUBLICATIONS

Doctors Forster Smith, spring 2003. Cy-Prrr Mouse, center left page 119.*

* cited by examiner

Primary Examiner—Louis S. Zarfes

Assistant Examiner—Anhdao Doan

(74) *Attorney, Agent, or Firm*—Dorsey & Whitney LLP

(57) **CLAIM**

I claim the ornamental design for a revolving anchored pet toy, as shown and described.

DESCRIPTION

FIG. 1 is a perspective view showing the front, top, and left sides of a revolving anchored pet toy;

FIG. 2 is a front plan view of the revolving anchored pet toy depicted in FIG. 1;

FIG. 3 is a rear plan view of the revolving anchored pet toy depicted in FIG. 1;

FIG. 4 is a left-side view of the revolving anchored pet toy depicted in FIG. 1;

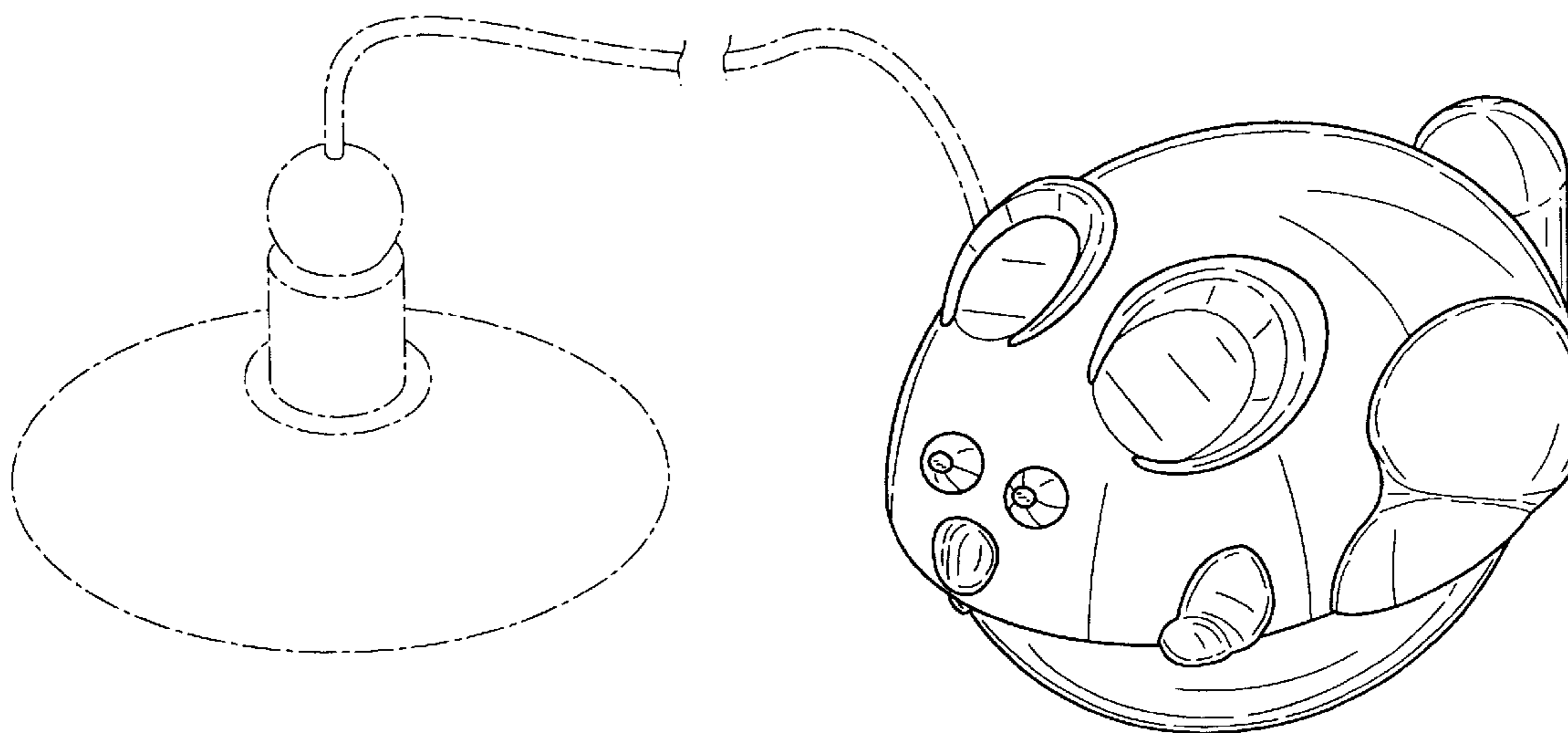
FIG. 5 is a right-side view of the revolving anchored pet toy depicted in FIG. 1;

FIG. 6 is a top plan view of the revolving anchored pet toy depicted in FIG. 1; and,

FIG. 7 is a bottom plan view of the revolving anchored pet toy depicted in FIG. 1.

The broken line showing of the environment is for illustrative purposes only and forms no part of the claimed design.

1 Claim, 5 Drawing Sheets



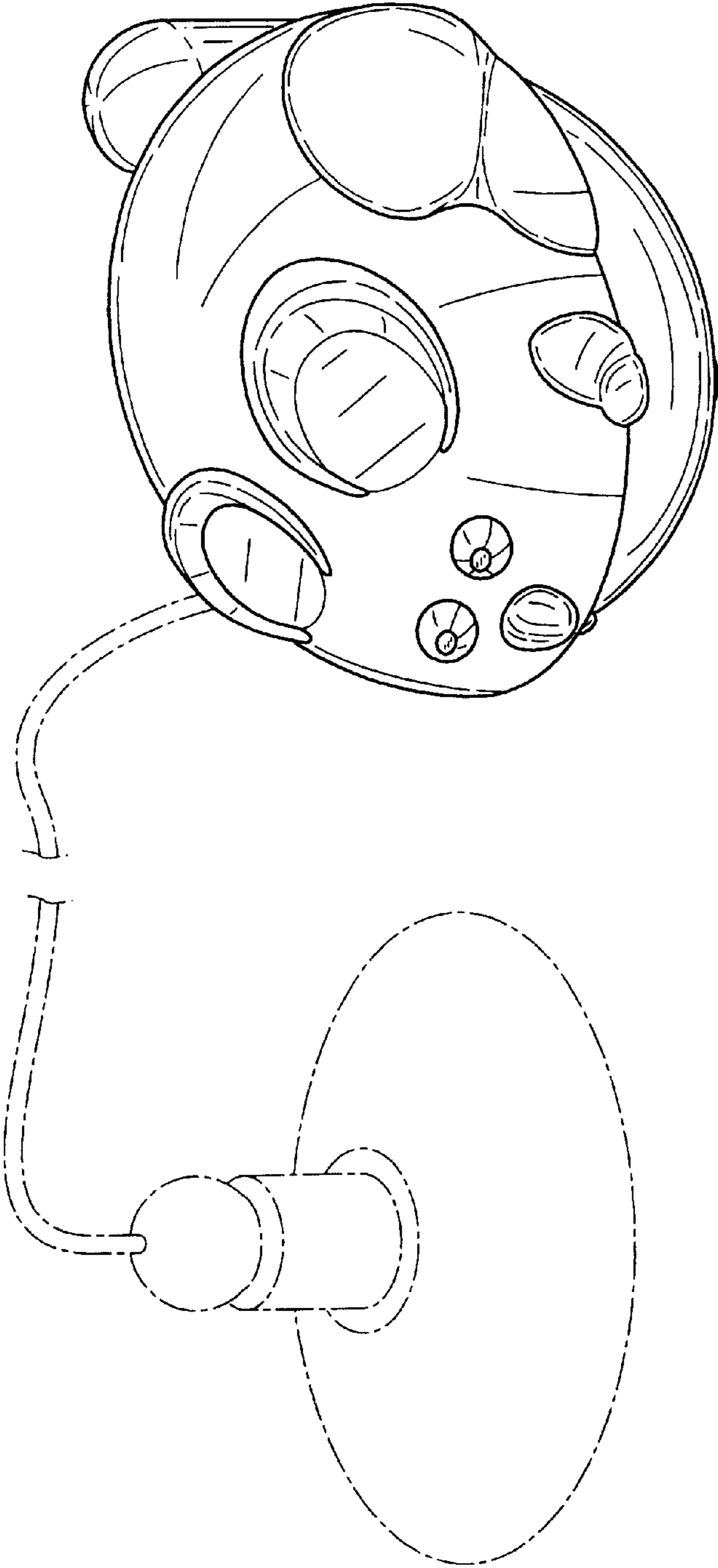


FIG.1

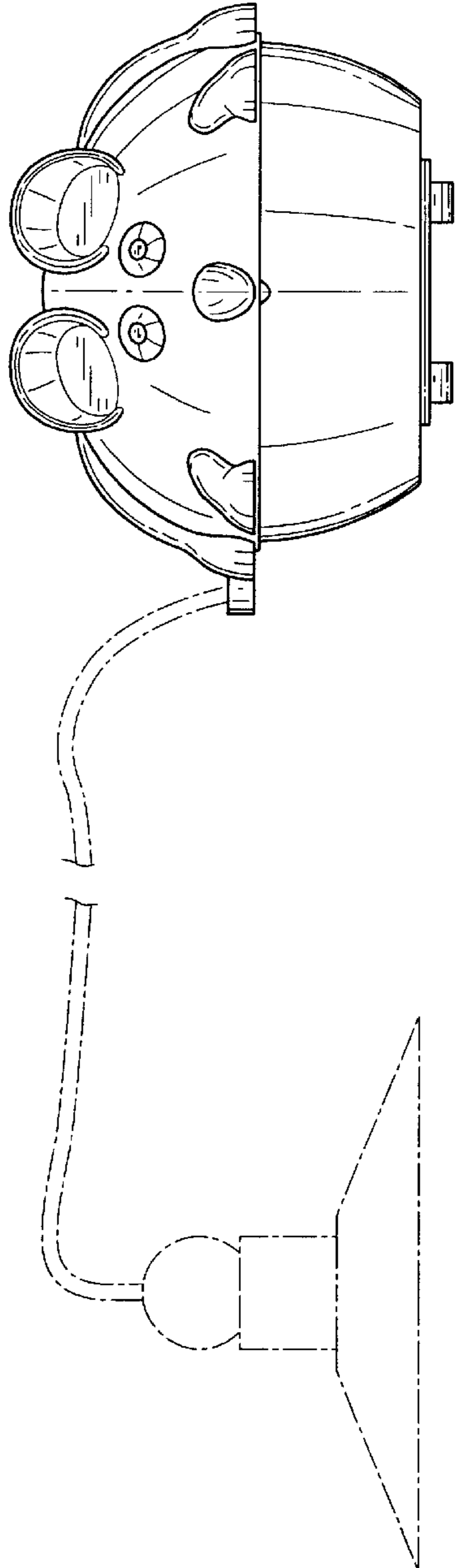


FIG. 2

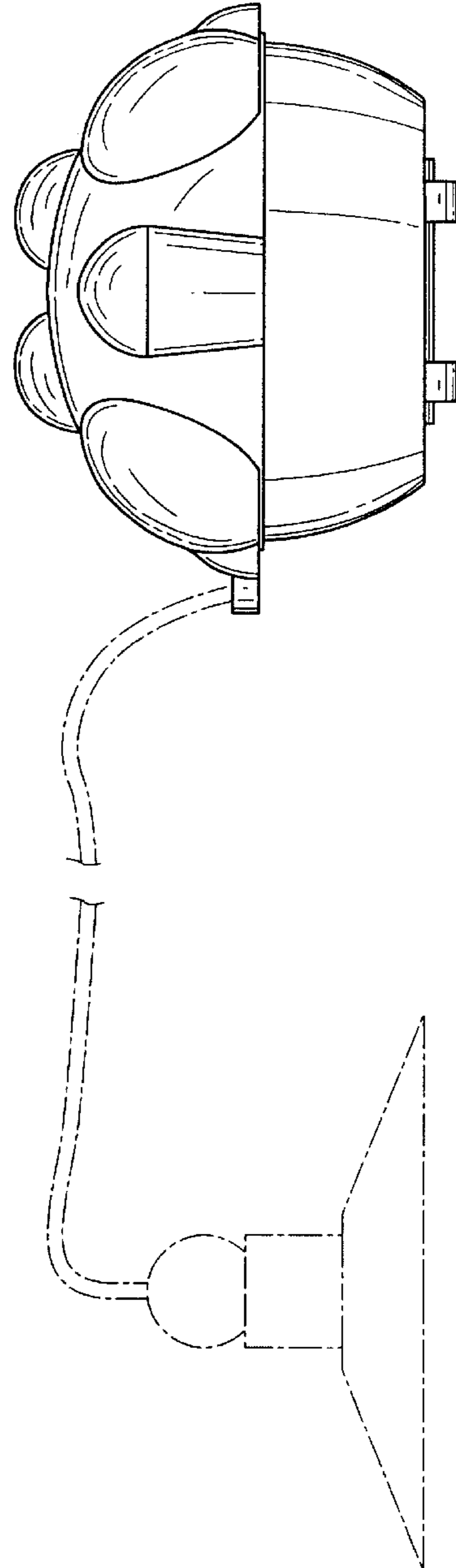


FIG. 3

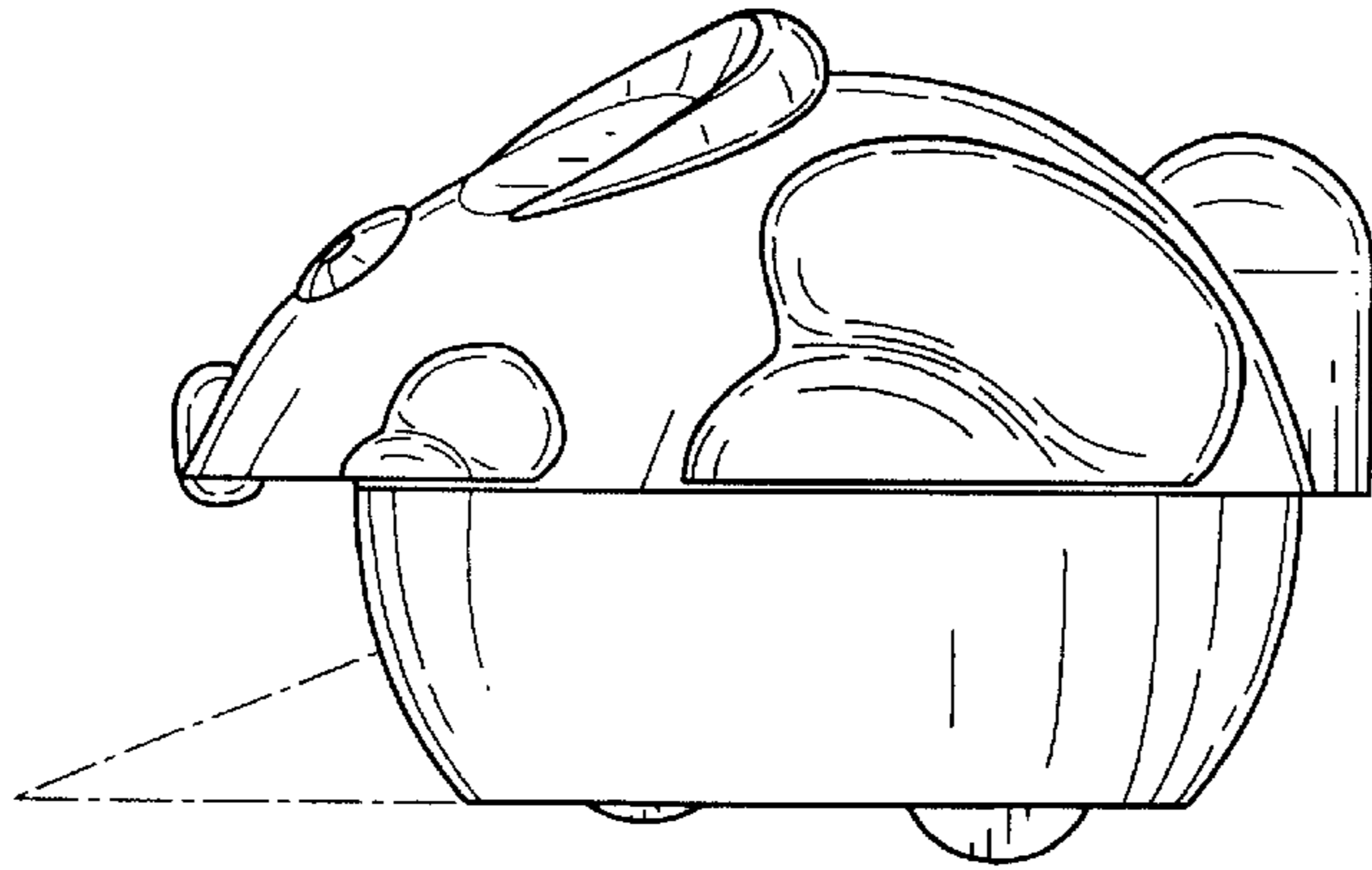


FIG.4

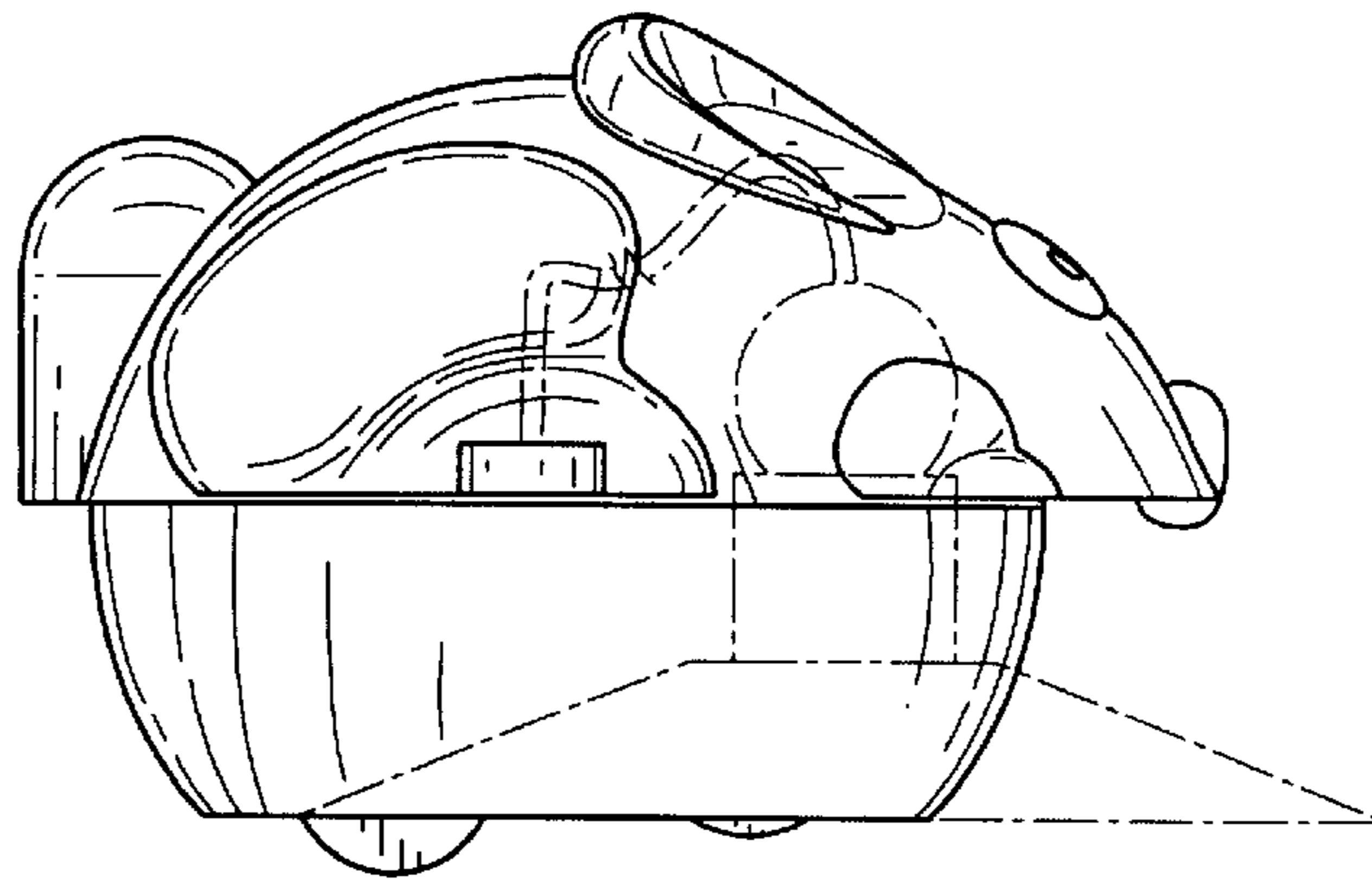


FIG.5

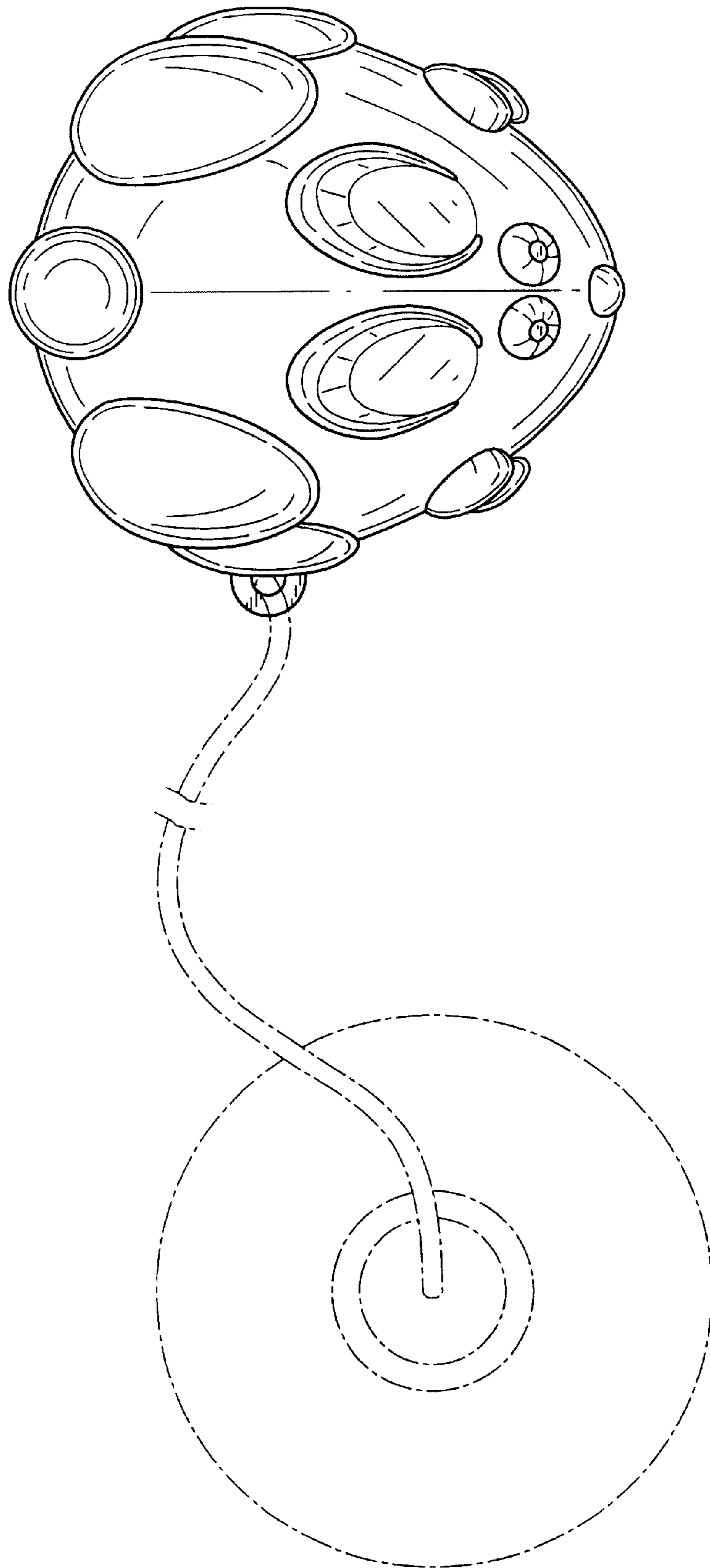


FIG.6

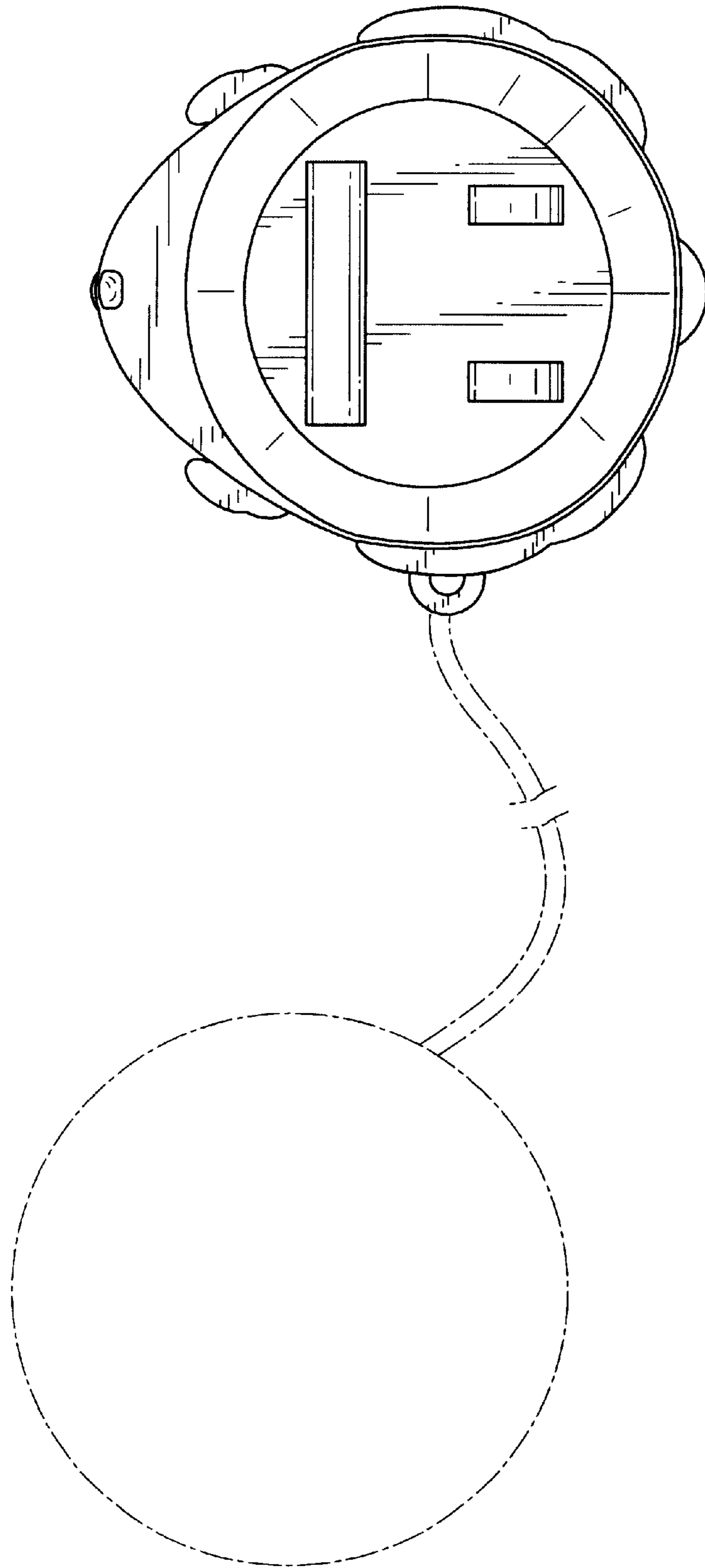


FIG.7