



US00D535789S

(12) **United States Design Patent**
Meyers

(10) **Patent No.:** **US D535,789 S**

(45) **Date of Patent:** **** Jan. 23, 2007**

(54) **COSMETIC CASE**

(75) Inventor: **Claude Peter Meyers**, Venice, CA (US)

(73) Assignee: **Jouer Cosmetics LLC**, Los Angeles, CA (US)

(**) Term: **14 Years**

(21) Appl. No.: **29/199,531**

(22) Filed: **Feb. 17, 2004**

(51) **LOC (8) Cl.** **28-03**

(52) **U.S. Cl.** **D28/83**

(58) **Field of Classification Search** D28/76-84;
132/293-307, 313-318; 206/581, 823
See application file for complete search history.

(56) **References Cited**

U.S. PATENT DOCUMENTS

1,948,086	A	2/1934	Wolfson	
D92,021	S	4/1934	Sachs	
D263,634	S	* 3/1982	Ballereaud D28/83
D281,914	S	* 12/1985	Sussman D28/83
D293,941	S	1/1988	Elie	
4,889,254	A	12/1989	Vola	
5,186,345	A	2/1993	Ching An	
D337,179	S	7/1993	Faure	
5,381,916	A	1/1995	Strawder	
5,469,961	A	11/1995	Chang	
D373,221	S	* 8/1996	Lai D28/83
D407,853	S	4/1999	Morgan	

D407,856	S	4/1999	Orsomando	
D433,773	S	* 11/2000	Gavin D28/83
6,302,120	B1	10/2001	Kuo	
D452,939	S	1/2002	Lai	
D478,397	S	* 8/2003	Bakic D28/83
6,644,488	B1	11/2003	Coleman	
6,726,016	B1	4/2004	Chen	
6,745,900	B1	6/2004	Lambert	
6,769,438	B1	8/2004	Fraillon	
D496,133	S	* 9/2004	Dittmer et al. D28/83
D496,761	S	* 9/2004	Rodriguez D28/83
2003/0057127	A1	3/2003	Lambert	
2004/0129600	A1	7/2004	Gueret	

* cited by examiner

Primary Examiner—Jennifer Rivard

(74) *Attorney, Agent, or Firm*—Raymond Sun

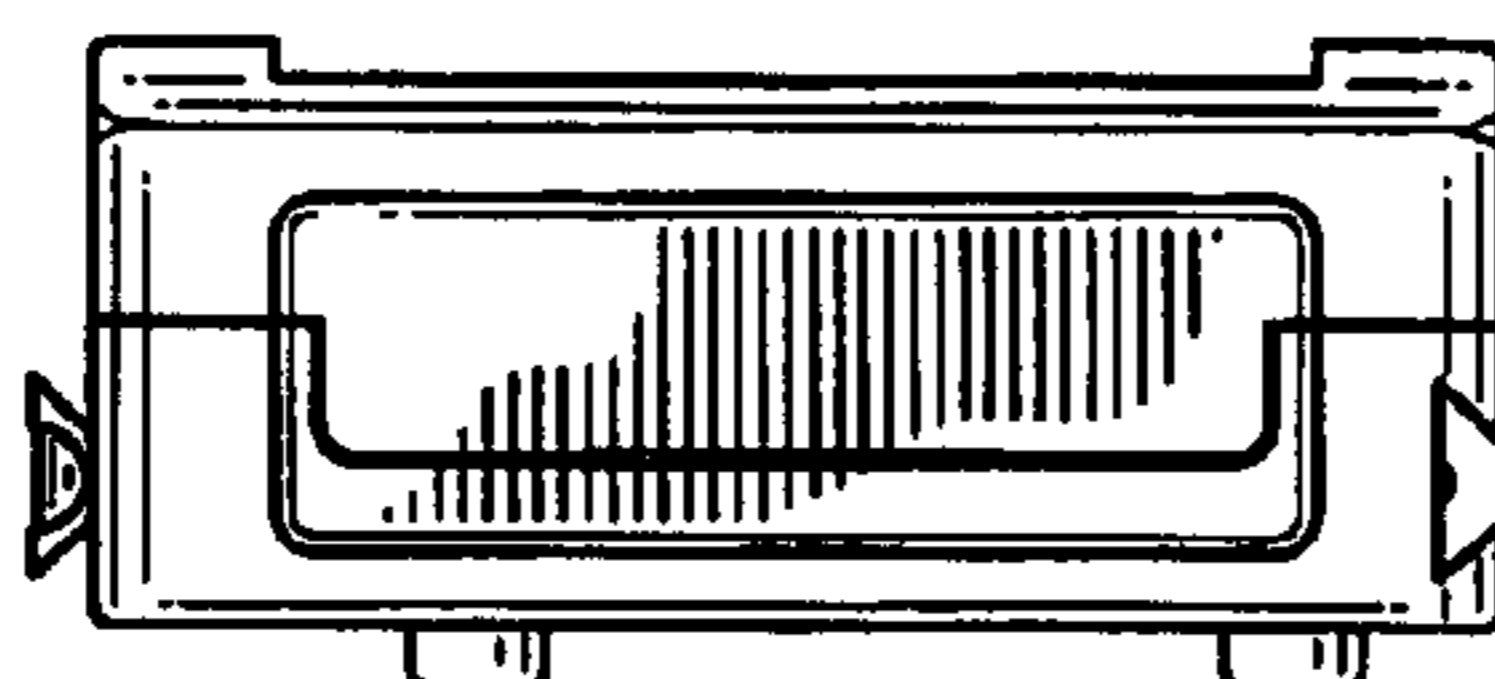
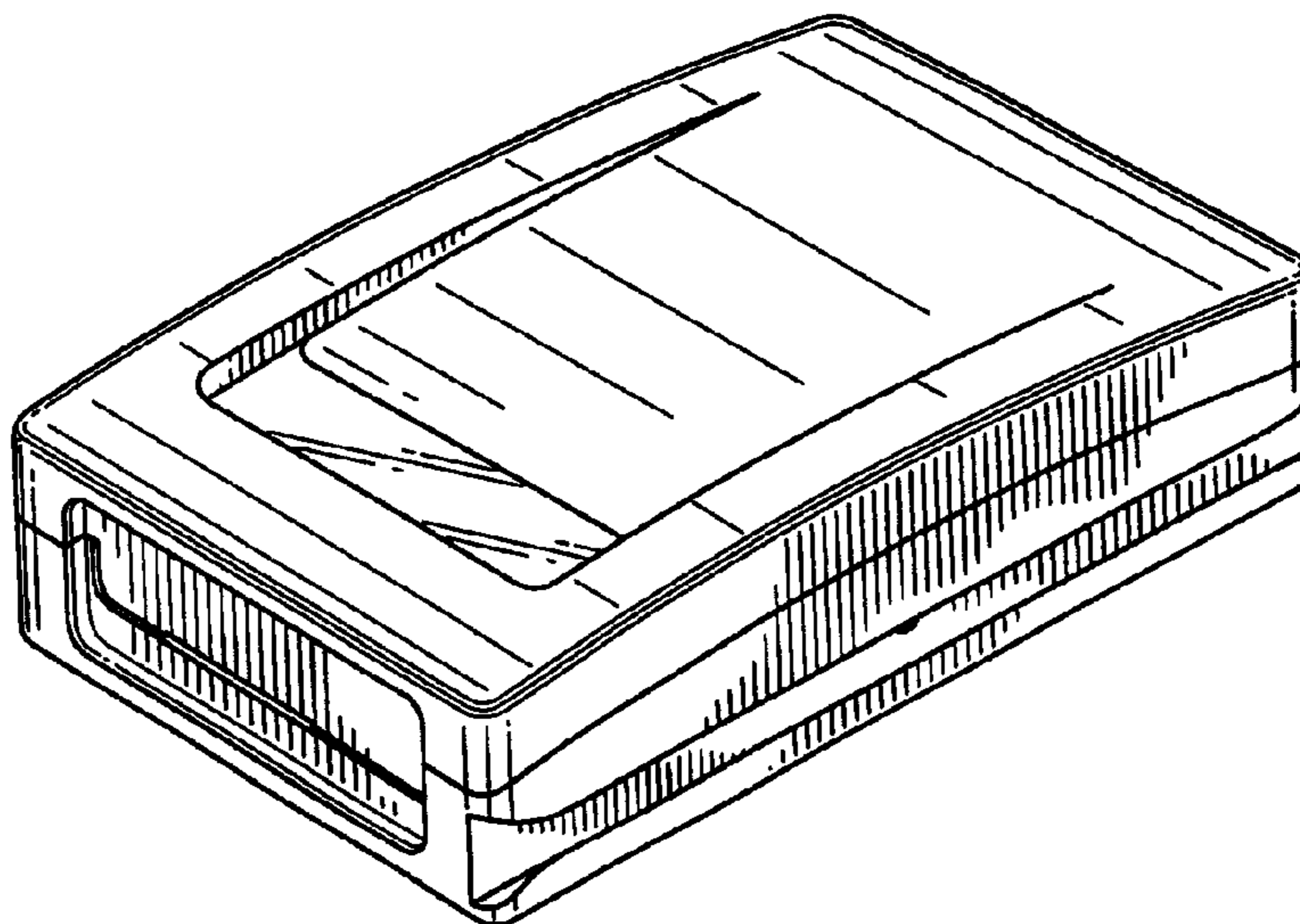
(57) **CLAIM**

The ornamental design for the cosmetic case, as shown and described.

DESCRIPTION

FIG. 1 is a perspective view the cosmetic case;
FIG. 2 is a top plan view of the case of FIG. 1;
FIG. 3 is a bottom plan view of the case of FIG. 1;
FIG. 4 is a left elevation view of the case of FIG. 1;
FIG. 5 is a right elevation view of the case of FIG. 1;
FIG. 6 is a front elevation view of the case of FIG. 1; and,
FIG. 7 is a rear elevation view of the case of FIG. 1.

1 Claim, 3 Drawing Sheets



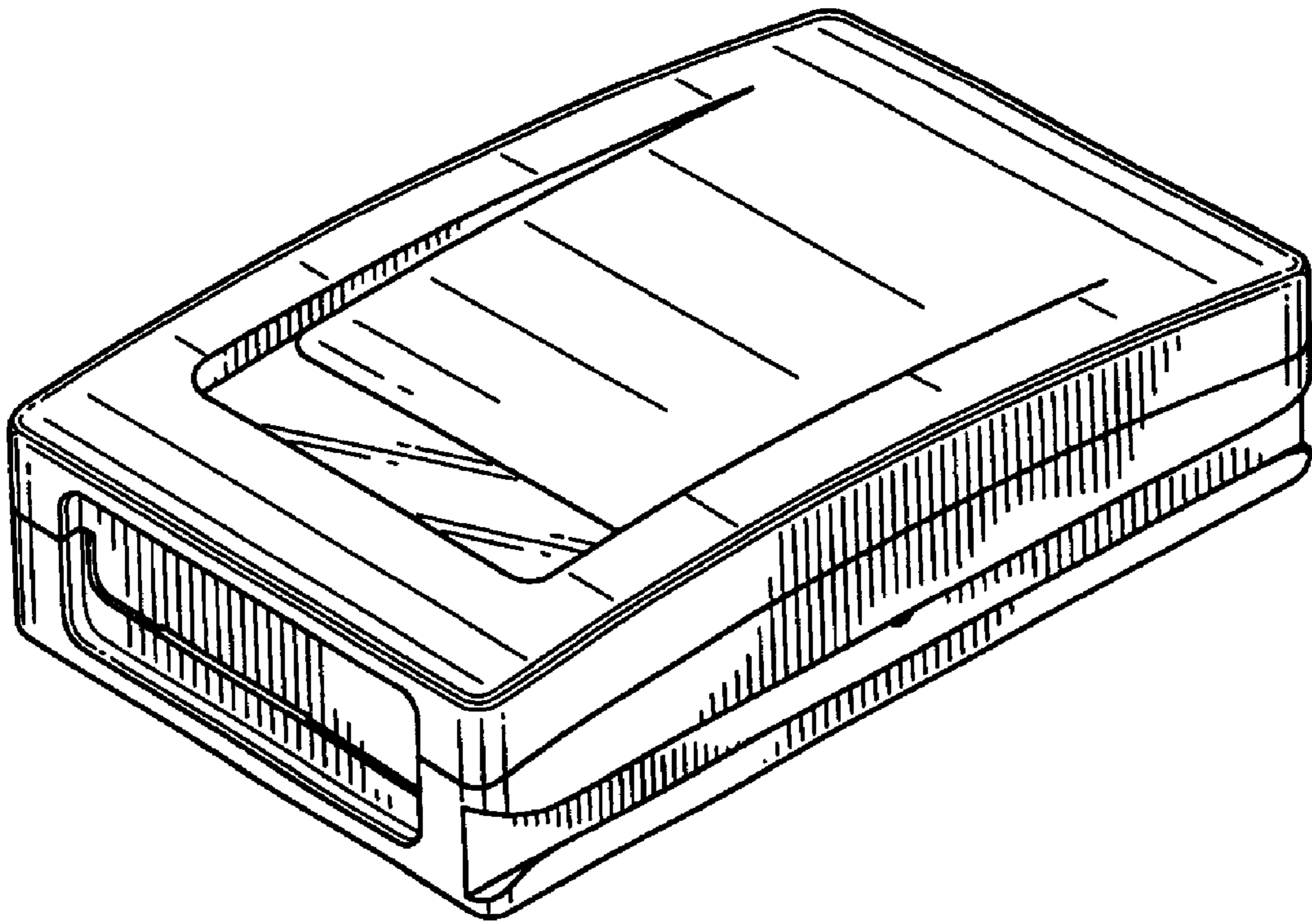


FIG. 1

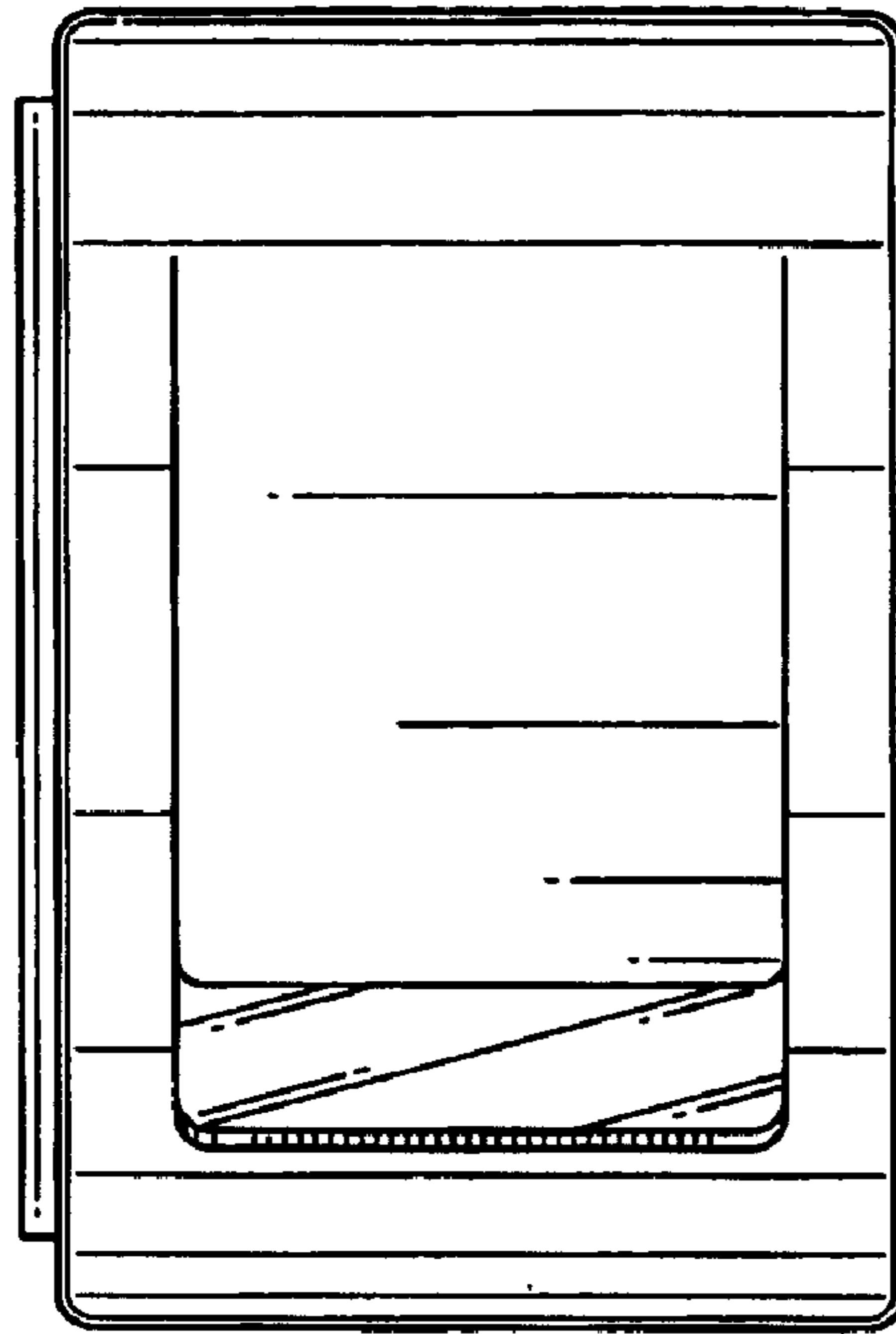


FIG. 2

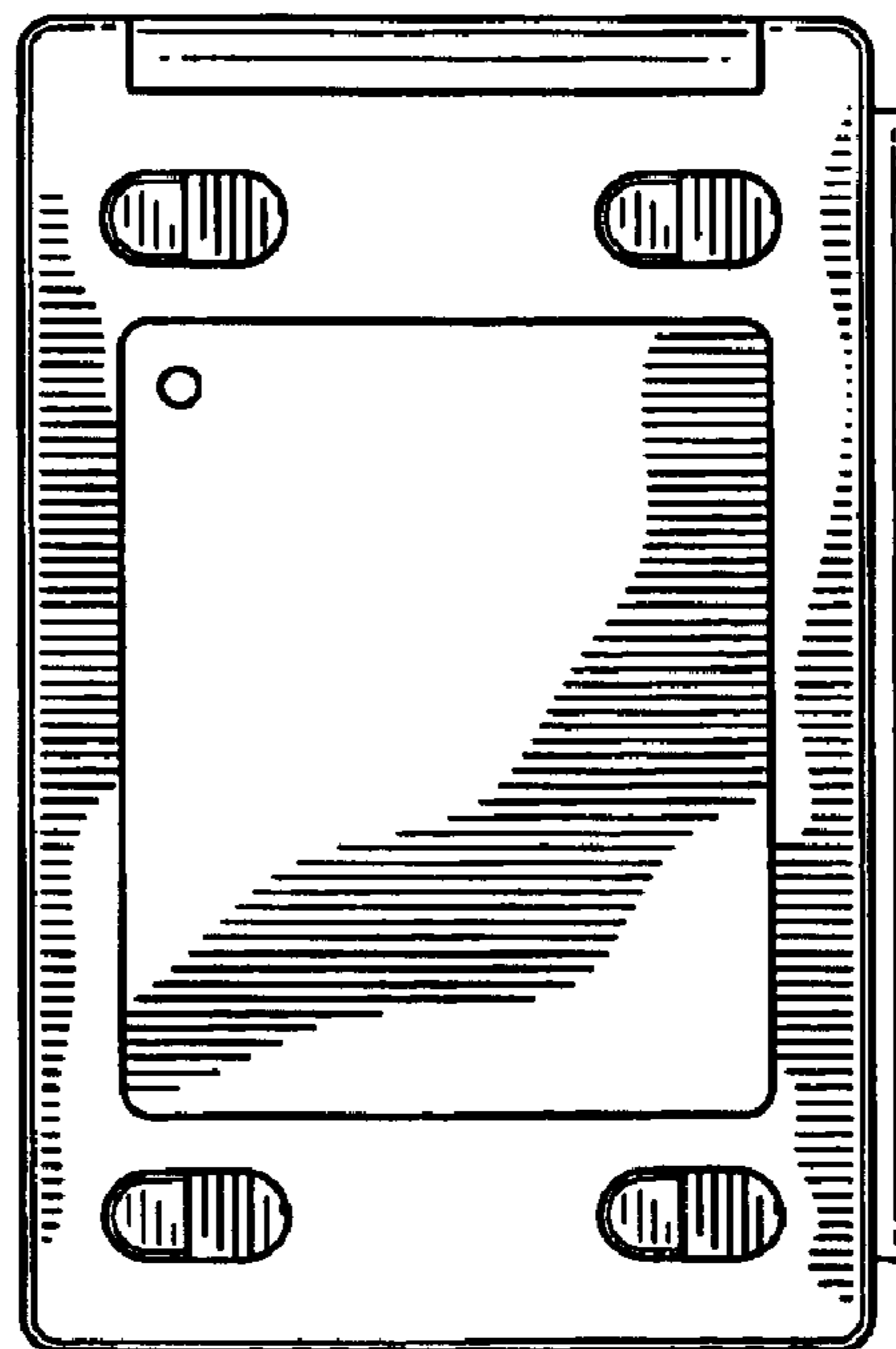


FIG. 3

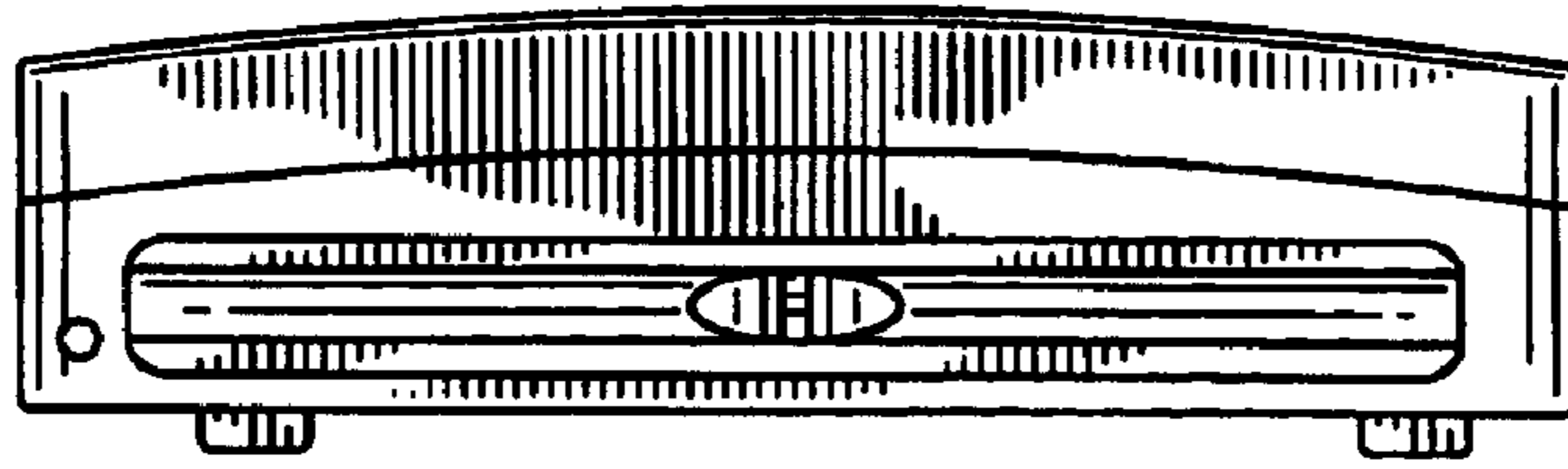


FIG. 4

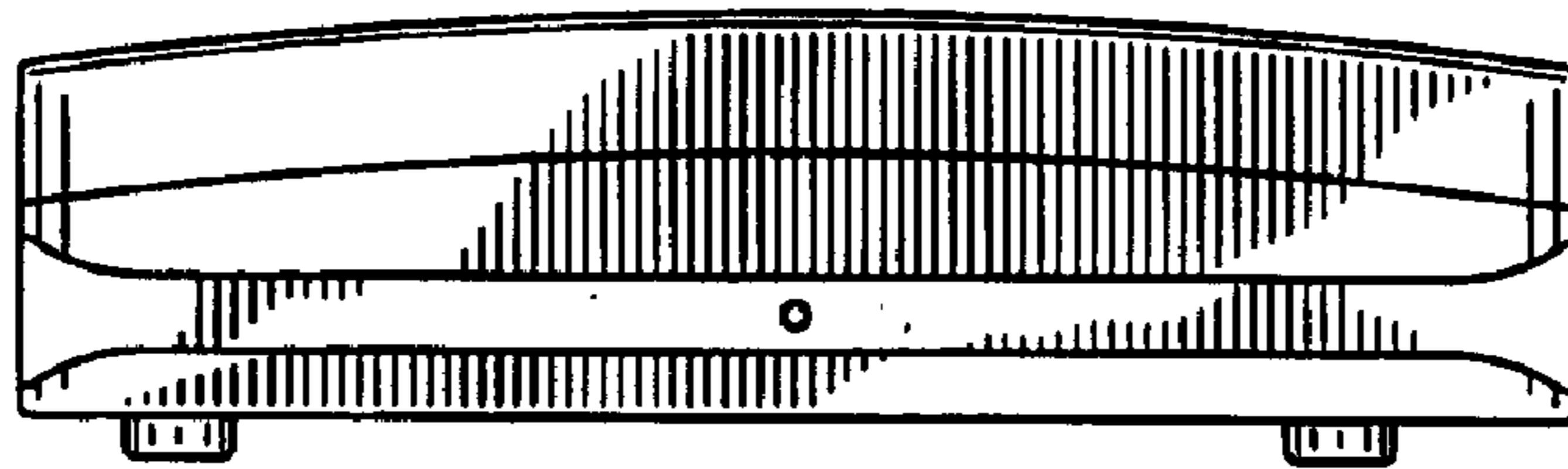


FIG. 5

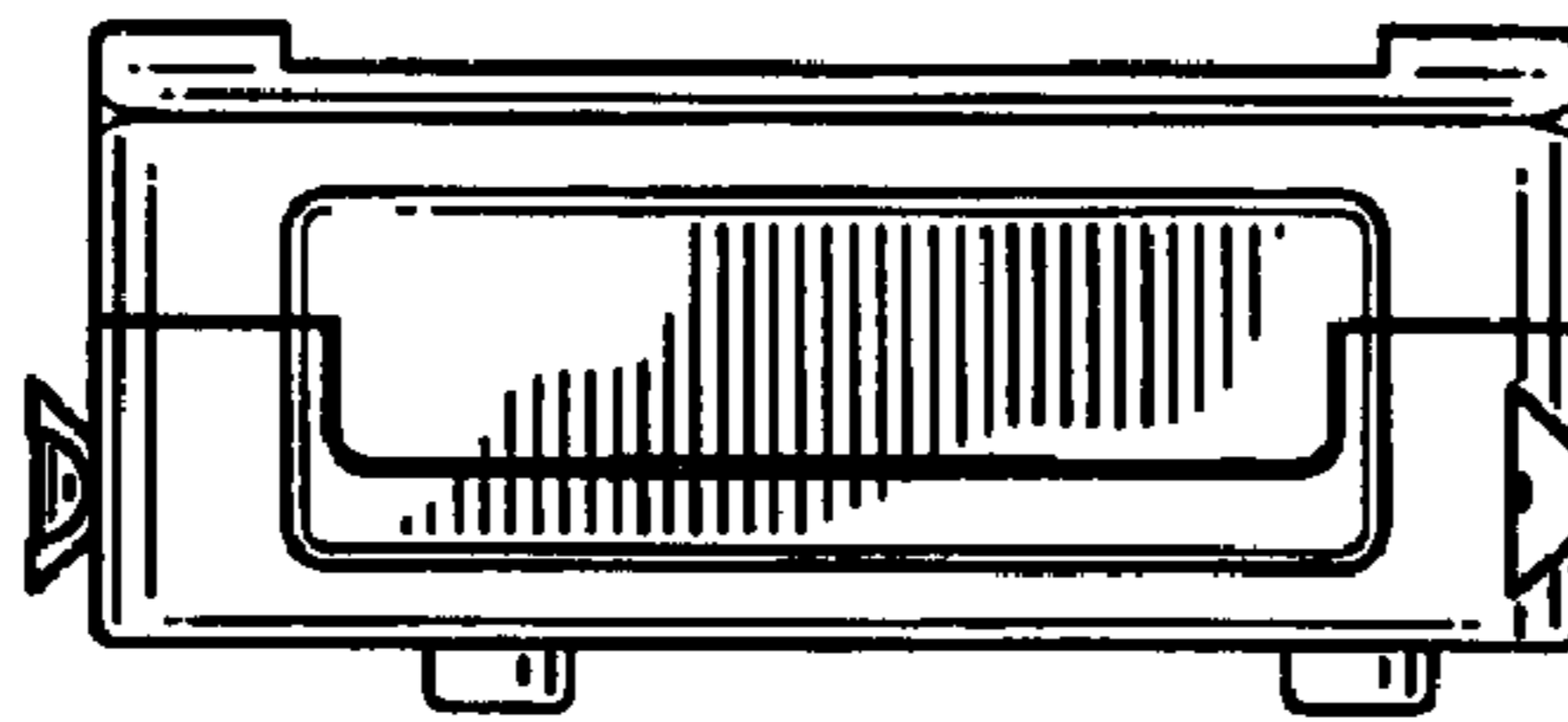


FIG. 6

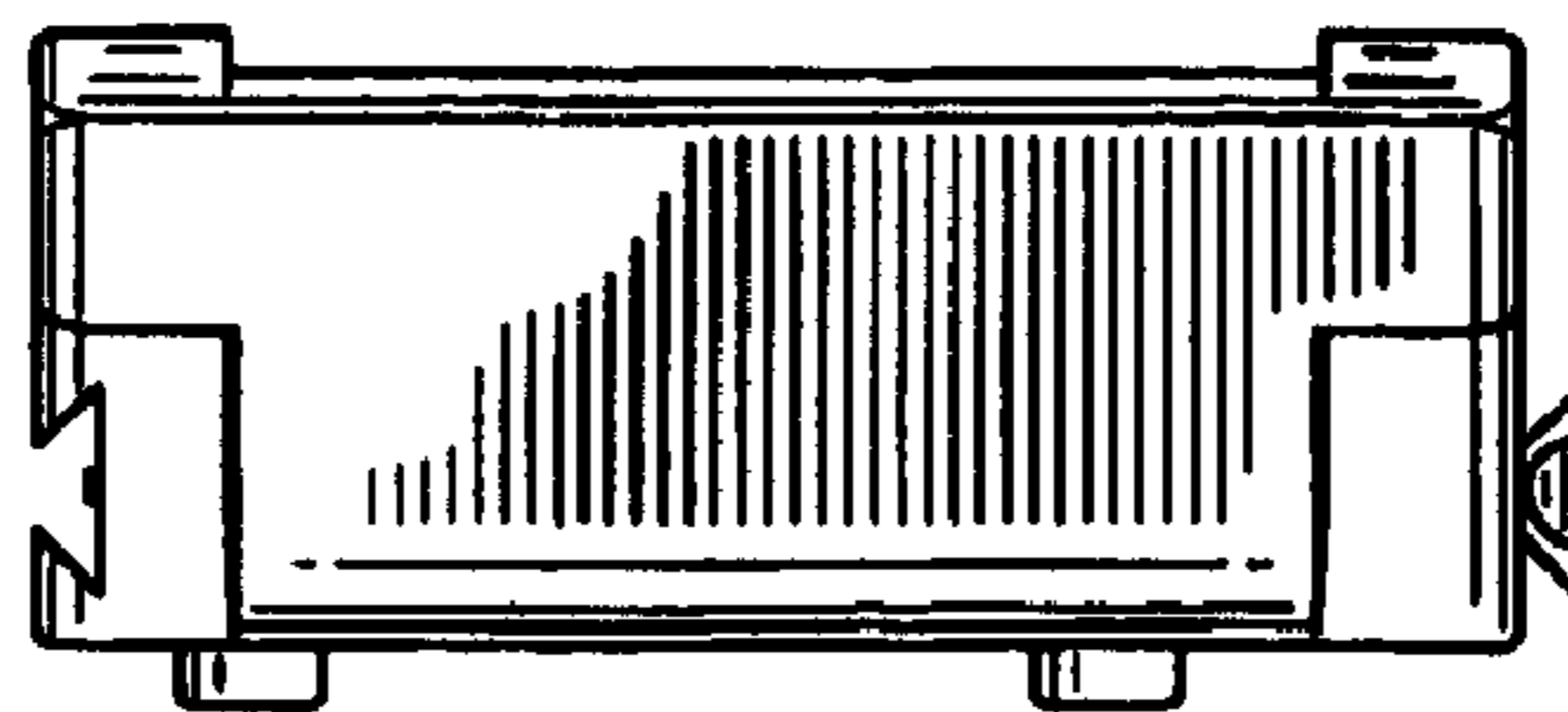


FIG. 7