



US00D535787S

(12) **United States Design Patent**
Lin

(10) **Patent No.:** **US D535,787 S**

(45) **Date of Patent:** **** Jan. 23, 2007**

(54) **ELECTRIC HAIR DRESSING TOOL WITH BASE**

(76) Inventor: **Mark Y. S. Lin**, No. 42, Alley 33, Lane 514, Chung-Cheng Rd., Shin-Chuang City, Taipei Hsiang (TW)

(**) Term: **14 Years**

(21) Appl. No.: **29/243,255**

(22) Filed: **Nov. 23, 2005**

(51) **LOC (8) Cl.** **28-03**

(52) **U.S. Cl.** **D28/53; D28/73**

(58) **Field of Classification Search** D28/44,
D28/44.1, 45-54; 30/32, 34.05, 34.1, 34.2,
30/43-43.92, 44, 45, 526, 527, 196, 200,
30/201, 210, 233, 233.5

See application file for complete search history.

(56) **References Cited**

U.S. PATENT DOCUMENTS

D434,528 S * 11/2000 Kling D28/53

D489,487 S * 5/2004 Ibarra et al. D28/53
6,986,206 B1 * 1/2006 McCambridge et al. 30/34.1
2005/0007065 A1 * 1/2005 Freas et al. 320/107

* cited by examiner

Primary Examiner—Jennifer Rivard

(74) *Attorney, Agent, or Firm*—Egbert Law Offices

(57) **CLAIM**

I claim the ornamental design for a electric hair dressing tool with base, as shown and described.

DESCRIPTION

FIG. 1 is a front of the electric hair dressing tool with base showing my design.

FIG. 2 is a side view thereof;

FIG. 3 is an opposite side view thereof;

FIG. 4 is a top plan view thereof;

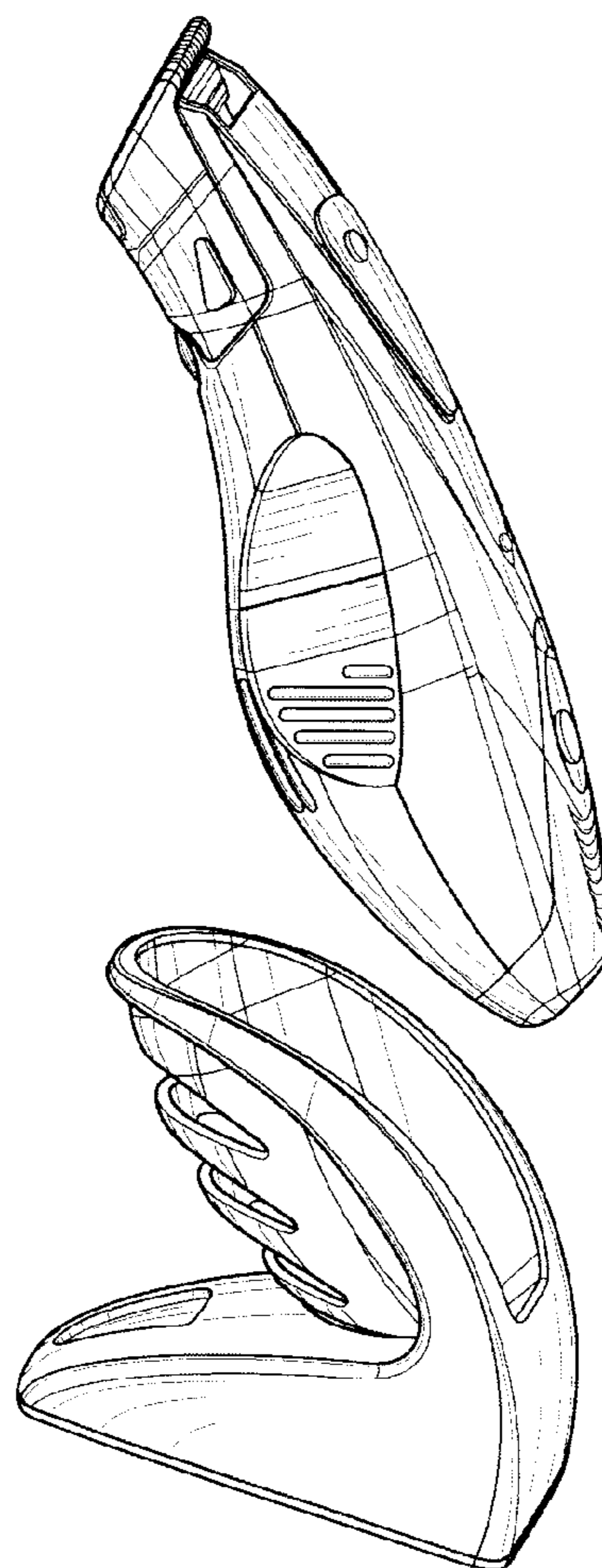
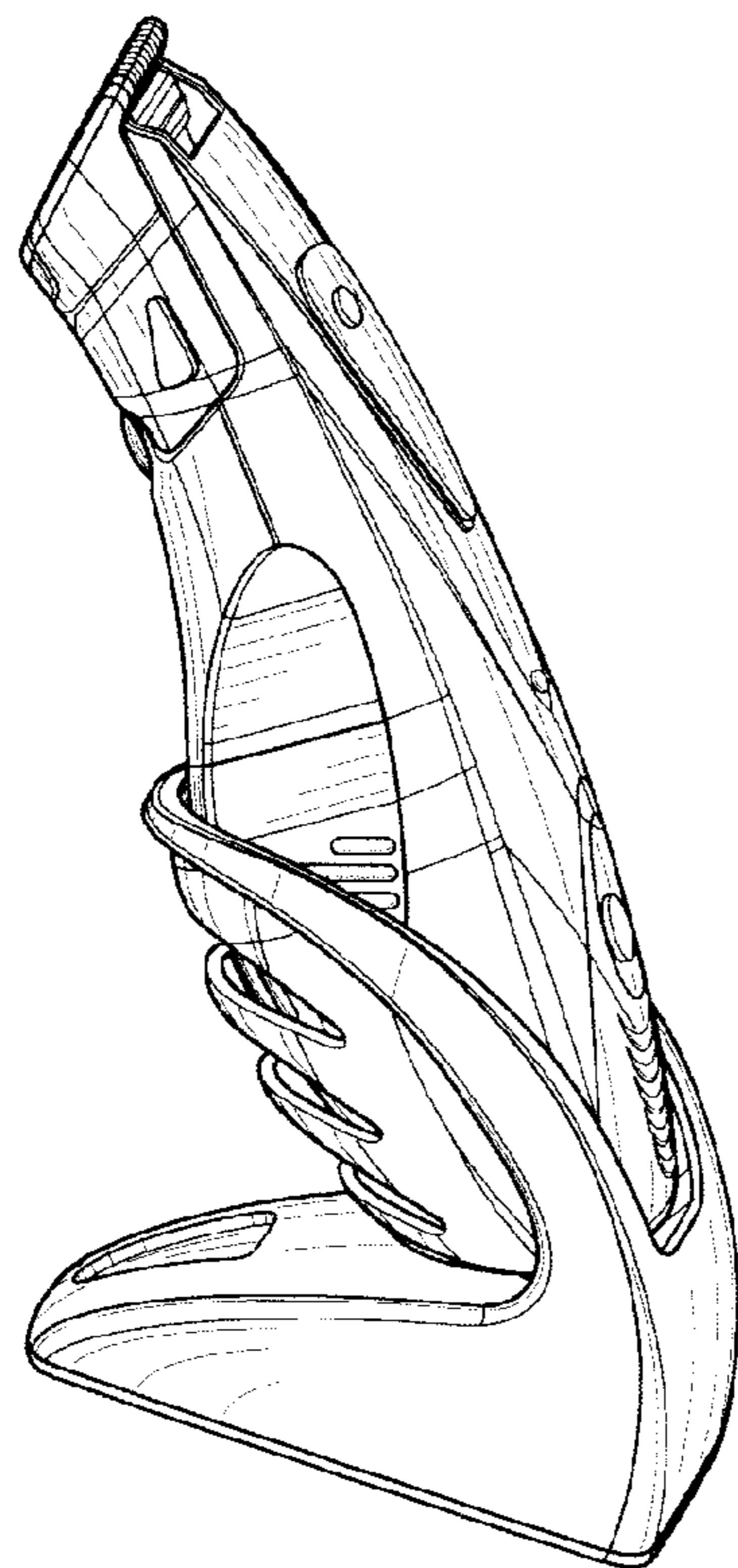
FIG. 5 is a bottom plan view thereof.

FIG. 6 is a back view thereof;

FIG. 7 is an upper perspective view thereof; and,

FIG. 8 is an exploded perspective view thereof.

1 Claim, 4 Drawing Sheets



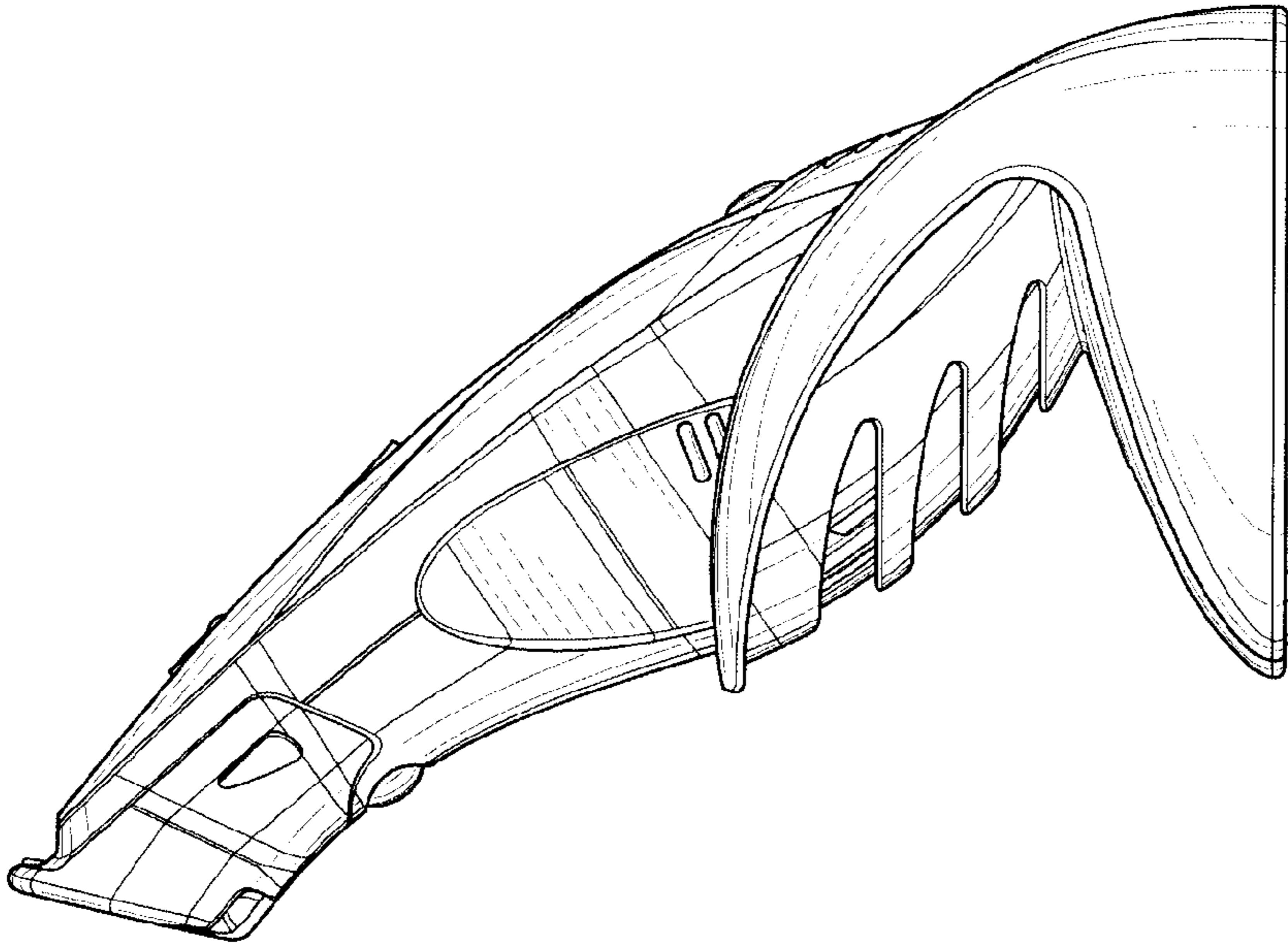


FIG. 1

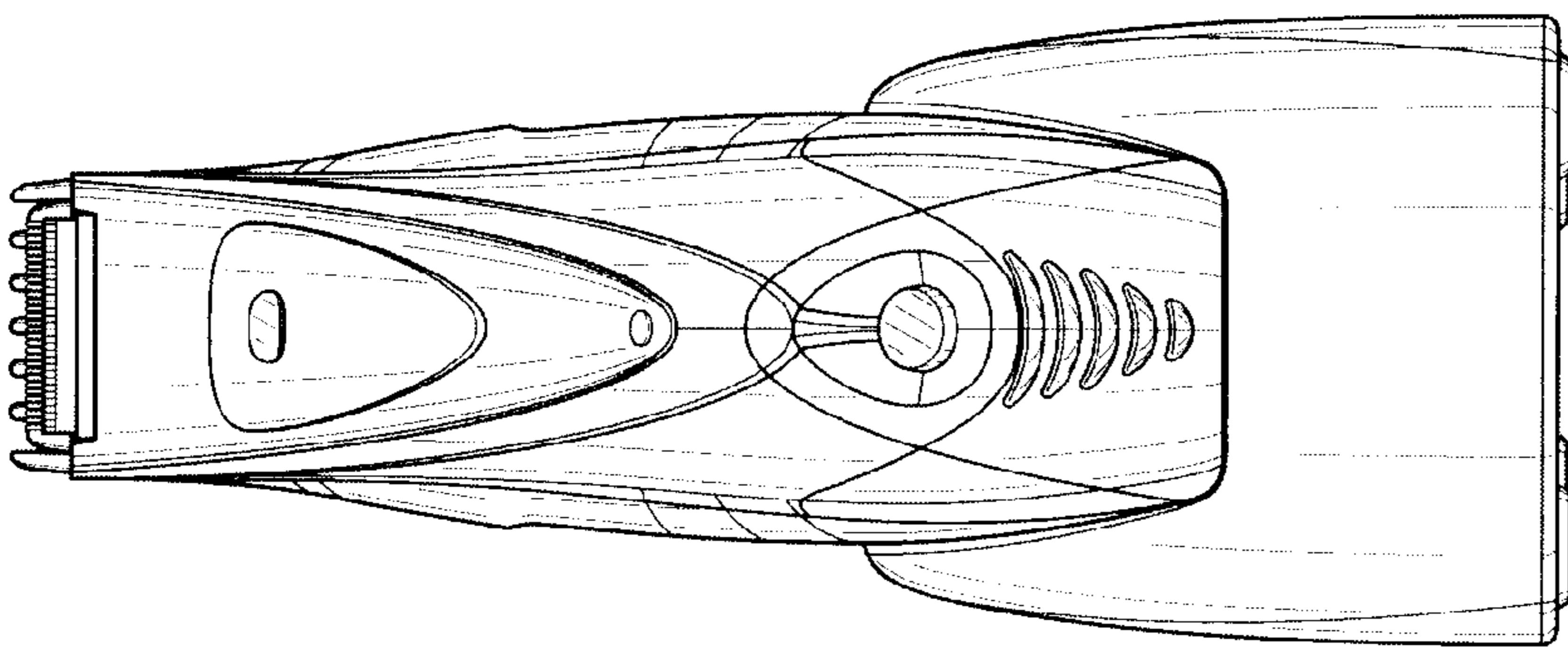


FIG. 2

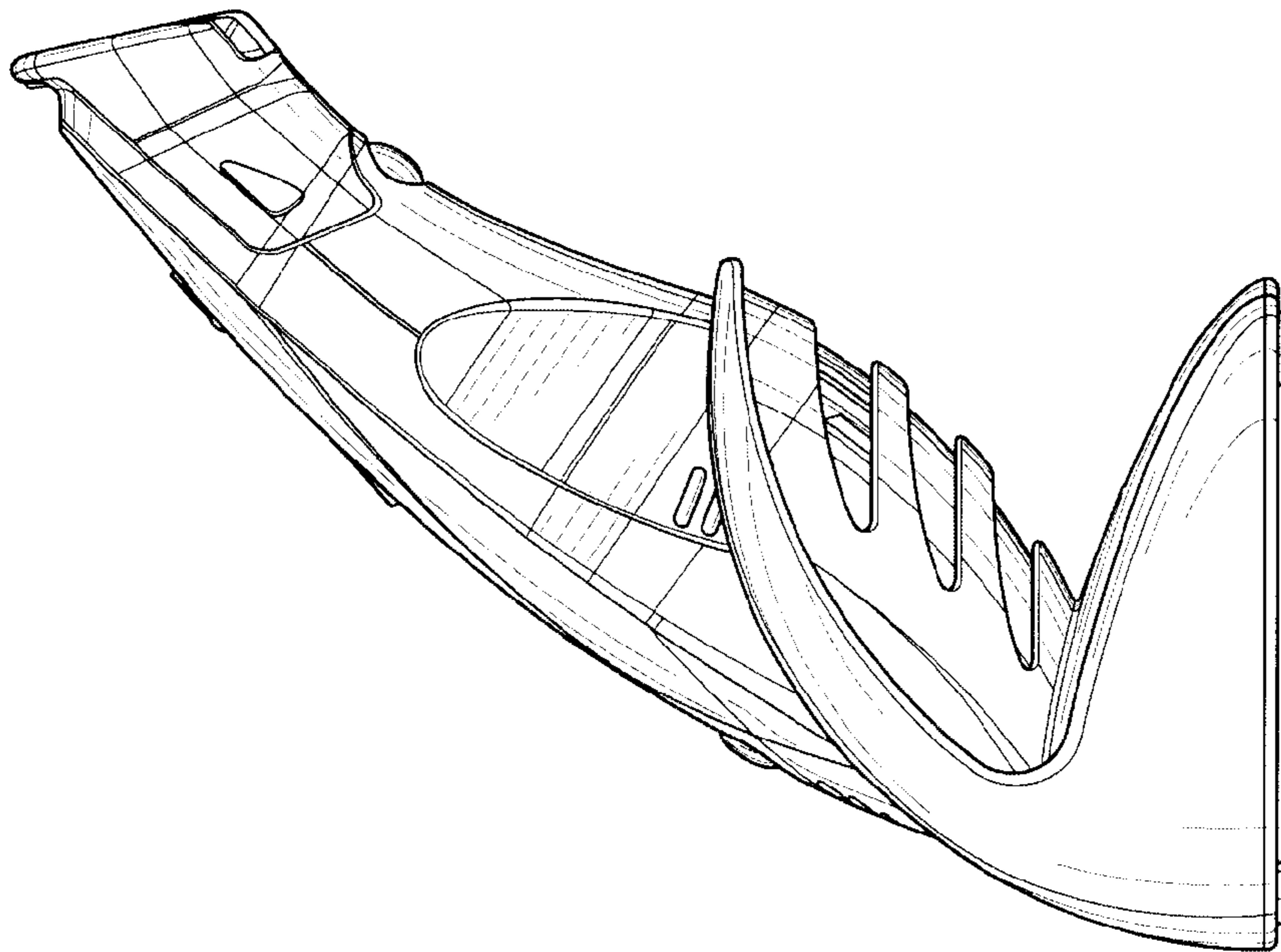


FIG. 3

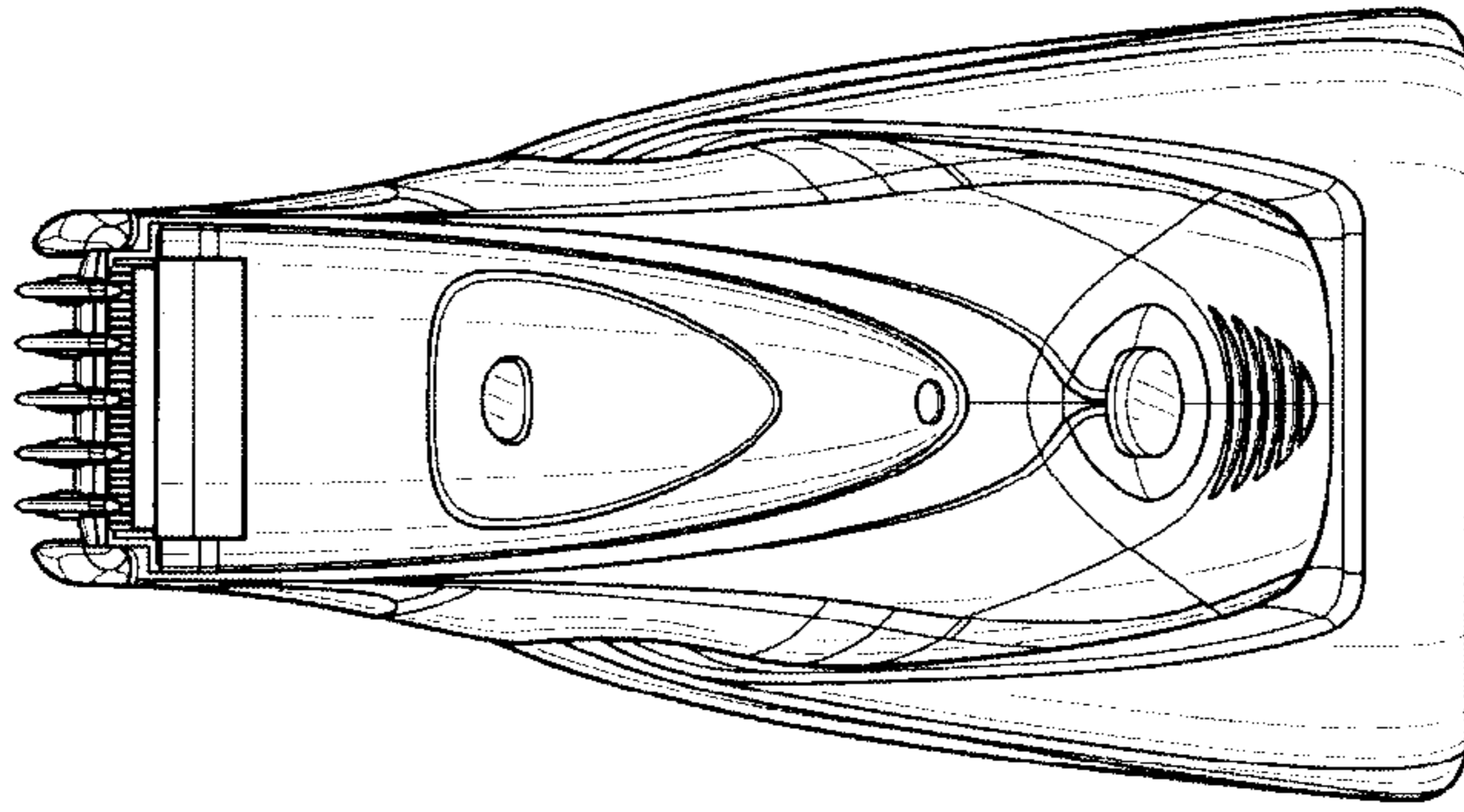


FIG. 4

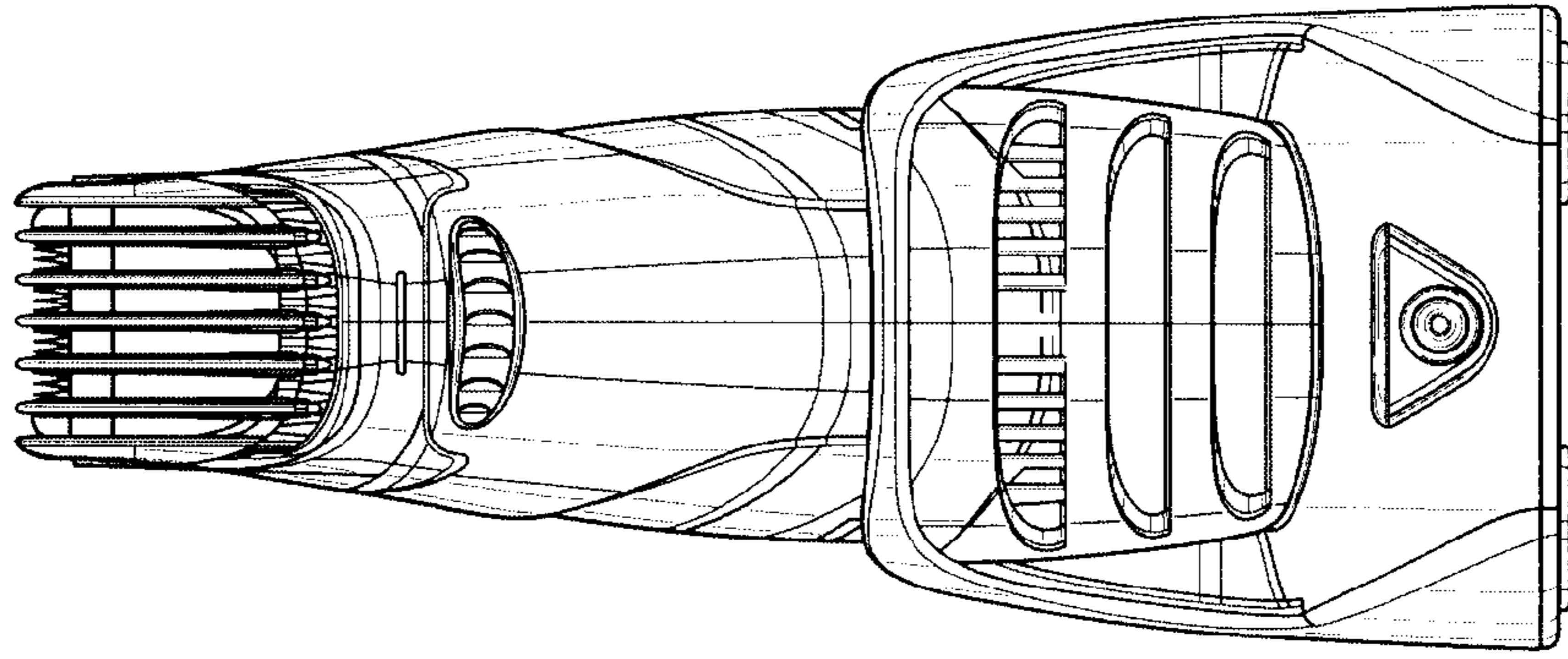


FIG. 6

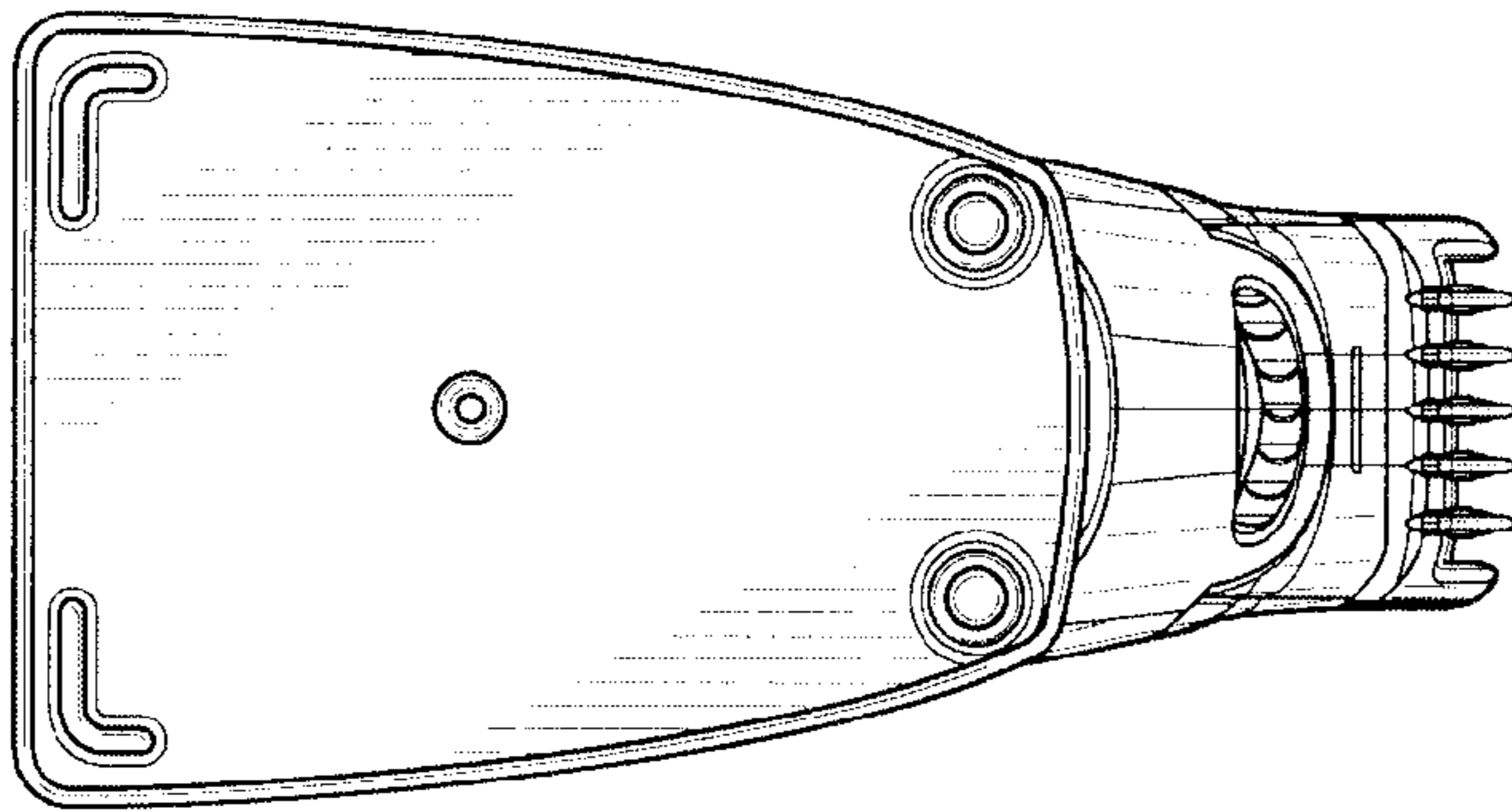


FIG. 5

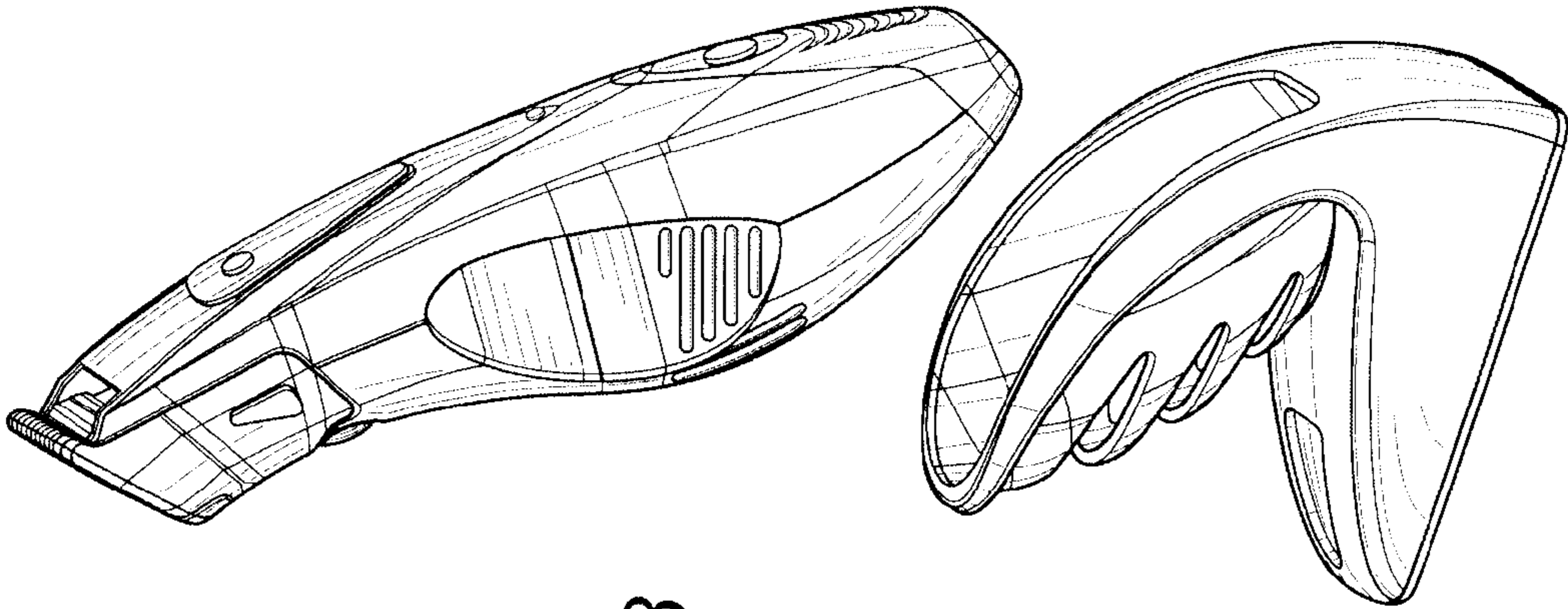


FIG. 8

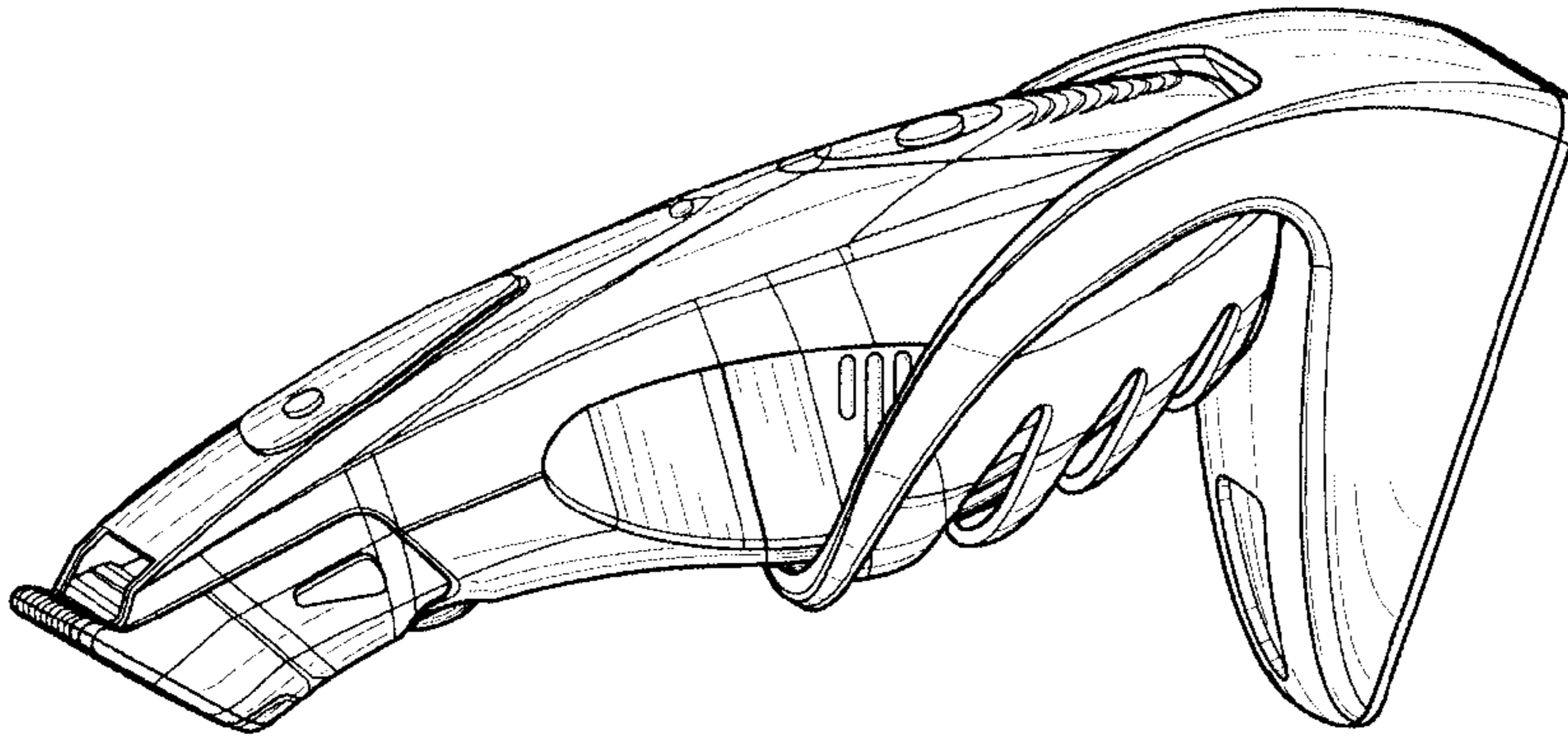


FIG. 7