



US00D535780S

(12) **United States Design Patent** (10) **Patent No.:** **US D535,780 S**  
**Mier-Langner et al.** (45) **Date of Patent:** **\*\* Jan. 23, 2007**

(54) **TRACK LUMINAIRE SUPPORT ARM**

(75) Inventors: **Alejandro Mier-Langner**, Providence, RI (US); **James E. Kuchar**, Fall River, MA (US); **Andrew E. Medeiros**, Fall River, MA (US)

(73) Assignee: **Genlyte Thomas Group, LLC**, Louisville, KY (US)

(\*\*) Term: **14 Years**

(21) Appl. No.: **29/204,949**

(22) Filed: **May 6, 2004**

(51) **LOC (8) Cl.** ..... **26-99**

(52) **U.S. Cl.** ..... **D26/155**

(58) **Field of Classification Search** ..... D26/155,  
D26/24, 67, 71, 72, 80-92, 145, 60-65, 138,  
D26/140; D13/133; 362/147, 404-408, 220,  
362/432

See application file for complete search history.

(56) **References Cited**

**U.S. PATENT DOCUMENTS**

3,601,598	A	*	8/1971	Horn	.....	362/418
4,121,280	A	*	10/1978	Chapman et al.	.....	362/418
D319,702	S	*	9/1991	Kane	.....	D26/63
D321,410	S	*	11/1991	Layne	.....	D26/138
D357,547	S	*	4/1995	Layh	.....	D26/63
D402,384	S	*	12/1998	Chen	.....	D26/63
D423,706	S	*	4/2000	Pan	.....	D26/65
D437,437	S	*	2/2001	Donato	.....	D26/63

D442,319	S	*	5/2001	Hsu	.....	D26/87
D443,940	S	*	6/2001	Donato	.....	D26/63
D444,251	S	*	6/2001	Donato	.....	D26/63
D447,260	S	*	8/2001	Demshki	.....	D26/63
D450,405	S	*	11/2001	Demshki	.....	D26/63
D454,975	S	*	3/2002	De'Armond et al.	.....	D26/155
D461,019	S	*	7/2002	Donato	.....	D26/63
D479,624	S	*	9/2003	Svensen et al.	.....	D26/155

\* cited by examiner

*Primary Examiner*—Freda S. Nunn

*Assistant Examiner*—Kevin K. Rudzinski

(74) *Attorney, Agent, or Firm*—John F. Salazar; Middleton Reutlinger

(57) **CLAIM**

The ornamental design for a track luminaire support arm, as shown and described.

**DESCRIPTION**

FIG. 1 is a perspective view of the design for our track luminaire support arm.

FIG. 2 is a front view of our design.

FIG. 3 is a right side view of our design.

FIG. 4 is a left side view of our design.

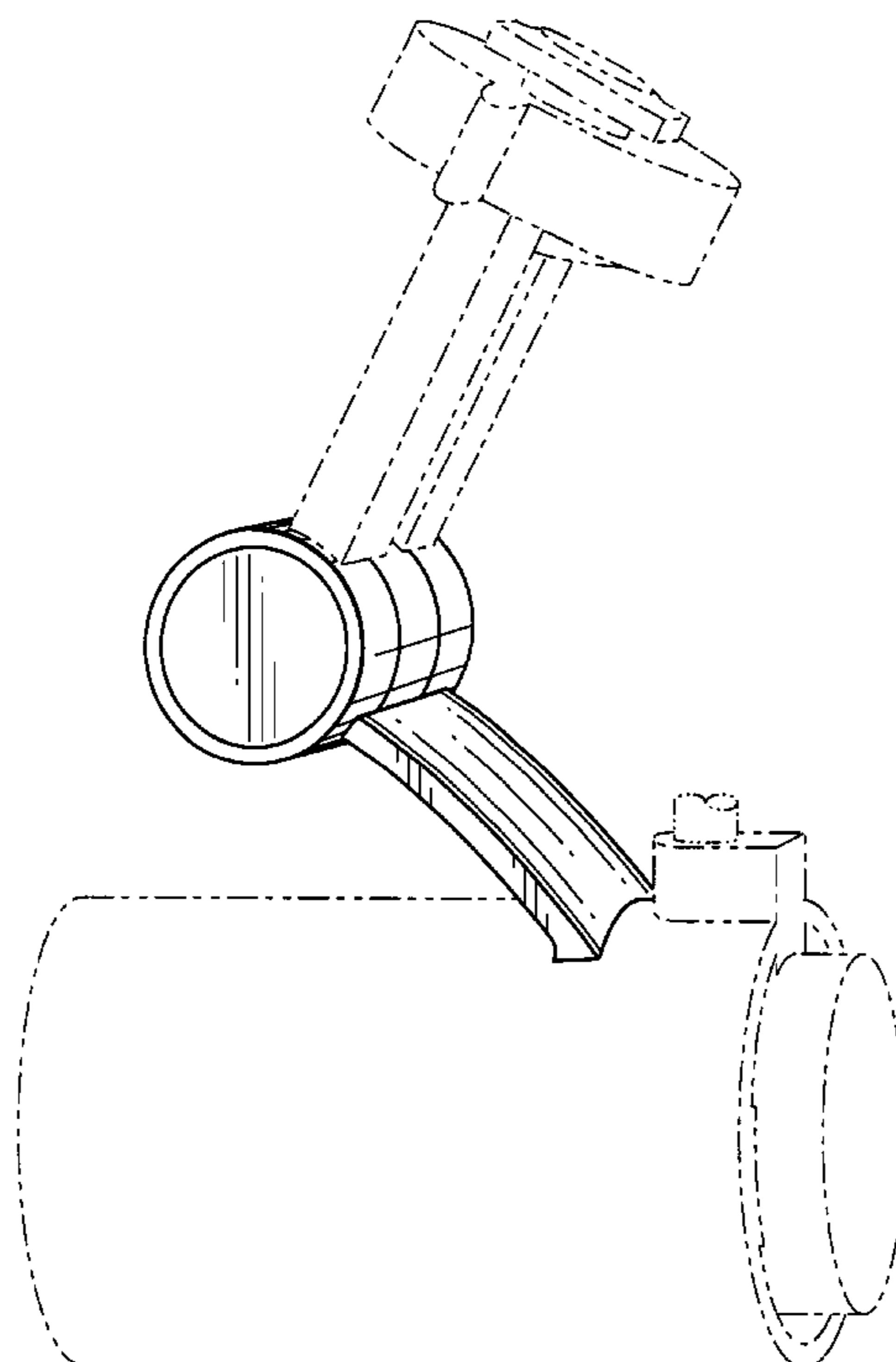
FIG. 5 is a rear view of our design.

FIG. 6 is a top view of our design; and,

FIG. 7 is a bottom view of our design.

The broken line showing environmental structure is for illustrative purposes only and forms no part of the claimed design.

**1 Claim, 7 Drawing Sheets**



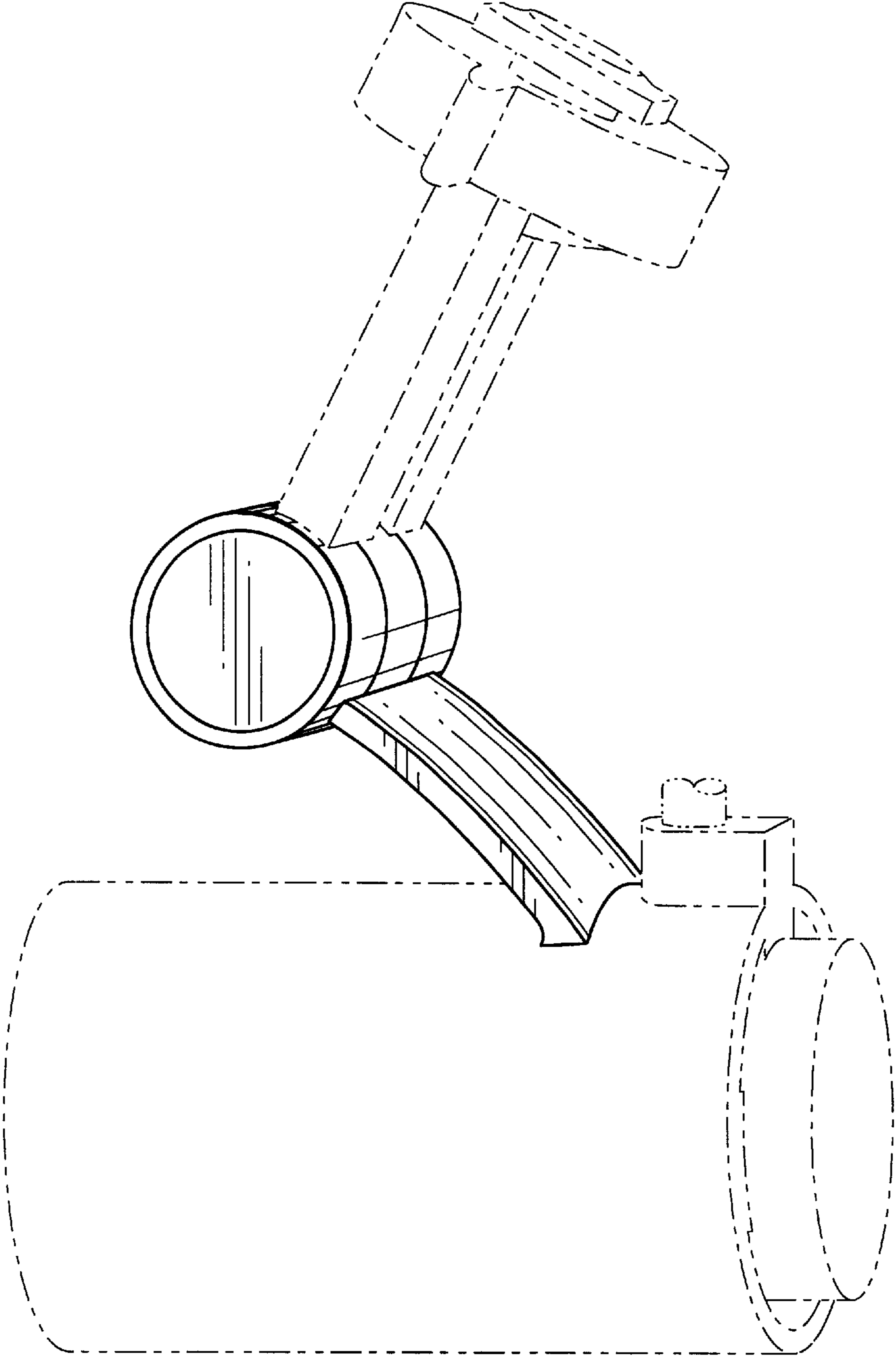


FIG. 1

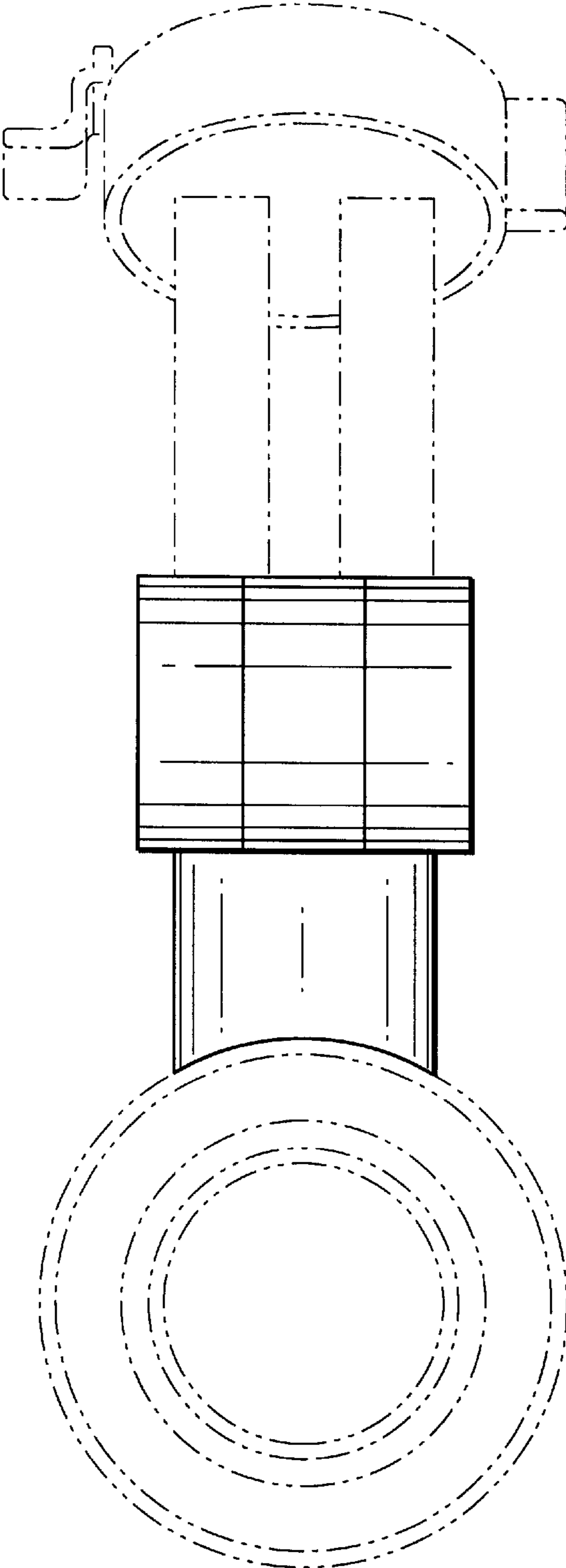


FIG. 2

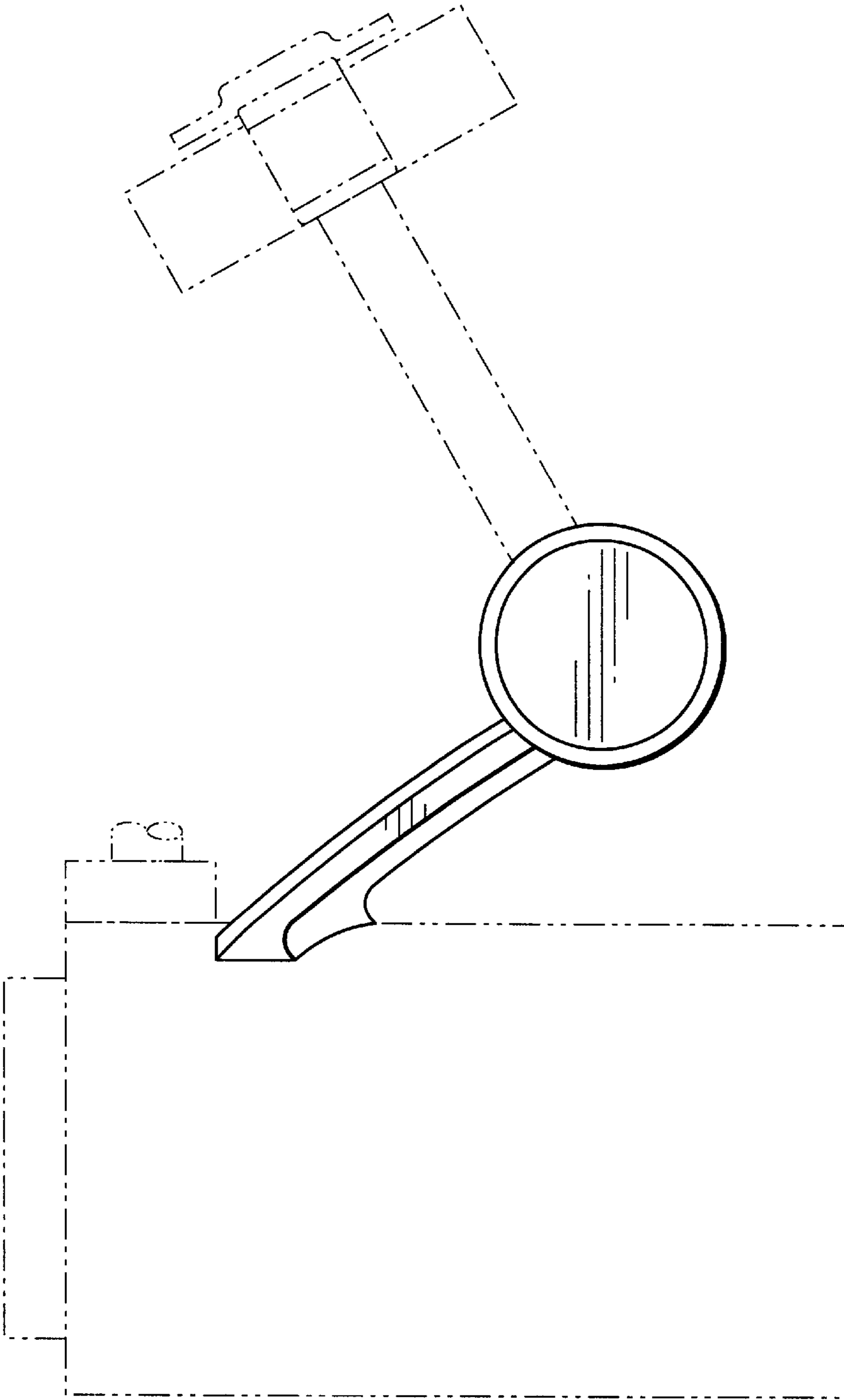


FIG. 3

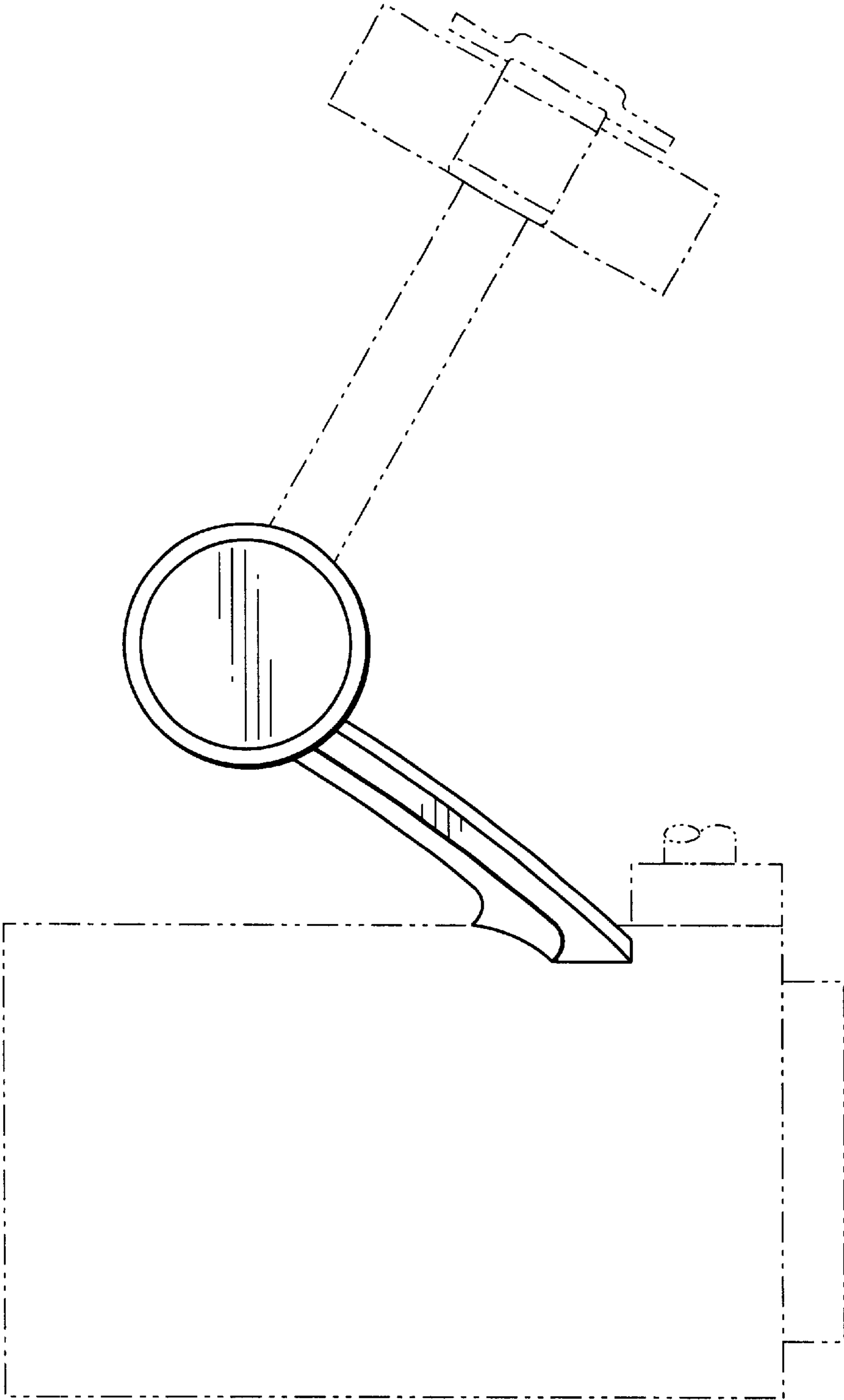


FIG. 4

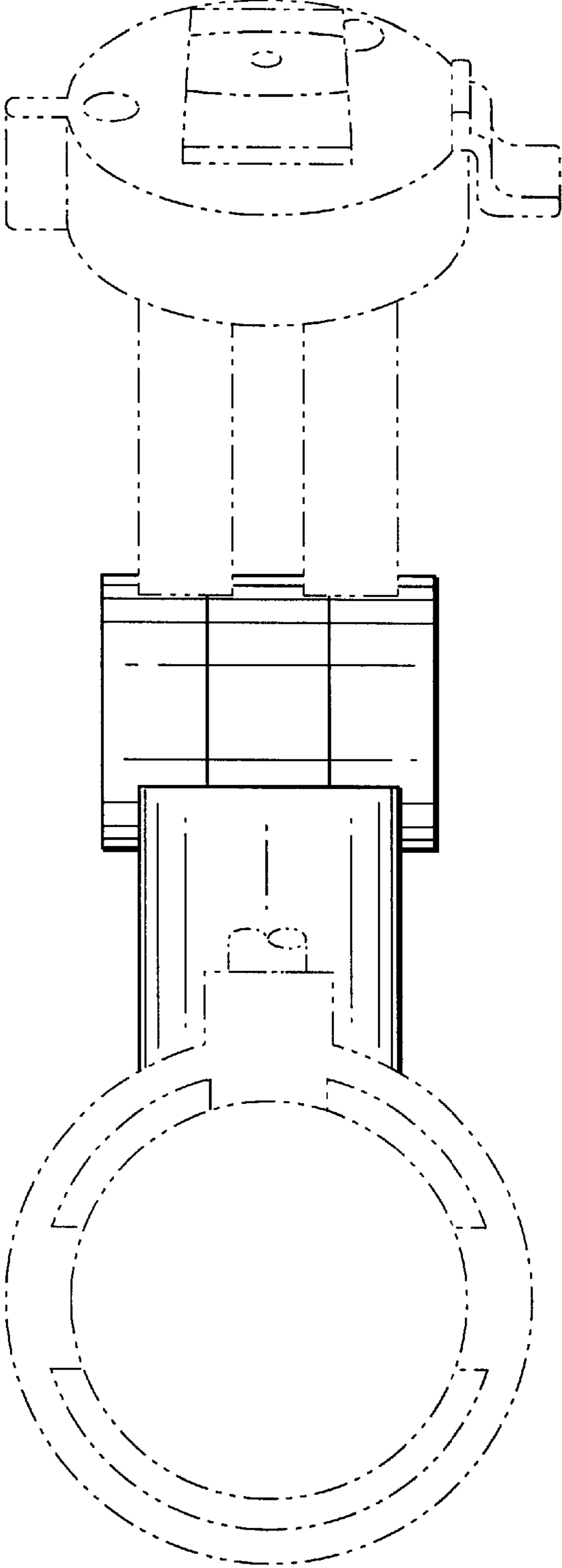


FIG. 5

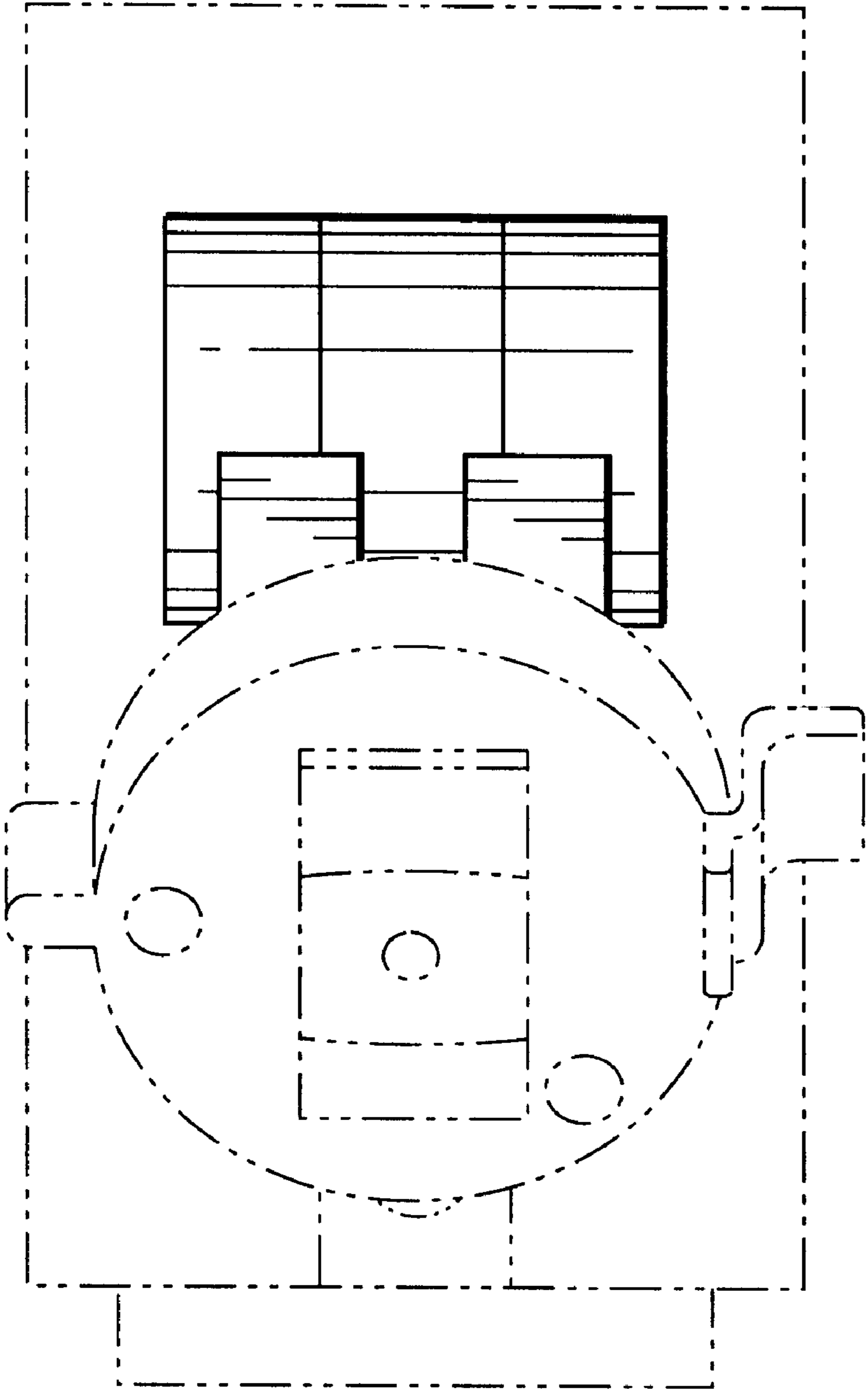


FIG. 6



FIG. 7