



US00D535777S

(12) **United States Design Patent**  
**Bucher et al.**

(10) **Patent No.: US D535,777 S**  
(45) **Date of Patent: \*\* Jan. 23, 2007**

(54) **OUTDOOR DECORATIVE LIGHT**

**DESCRIPTION**

(75) Inventors: **John C. Bucher**, Hillsboro Bch, FL (US); **Scott Searle**, Hong Kong (HK); **Tien S. Lowe**, Pembroke Pines, FL (US)  
(73) Assignee: **King of Fans, Inc.**, Fort Lauderdale, FL (US)  
(\*\*) Term: **14 Years**

(21) Appl. No.: **29/233,312**  
(22) Filed: **Jun. 30, 2005**  
(51) **LOC (8) Cl.** ..... **26-03**  
(52) **U.S. Cl.** ..... **D26/87; D26/84; D26/67**  
(58) **Field of Classification Search** ..... D26/67, D26/87, 92  
See application file for complete search history.

(56) **References Cited**

**U.S. PATENT DOCUMENTS**

D464,766 S \* 10/2002 De'Armond et al. .... D26/87  
D465,053 S \* 10/2002 Miranda ..... D26/87  
D495,817 S 9/2004 Bucher et al. .... D26/67

(Continued)

**OTHER PUBLICATIONS**

Brass Outdoor Lantern, [online] Hinkley Lighting, Hinkley Lighting—Classic Cool, products, families with products in the Brass Outdoor Lantern category, 4 pages, [retrieved on Jun. 29, 2005] Retrieved from: <http://www.hinkleylighting.com/products/catfams.asp?cid=013&fid=018110>.

(Continued)

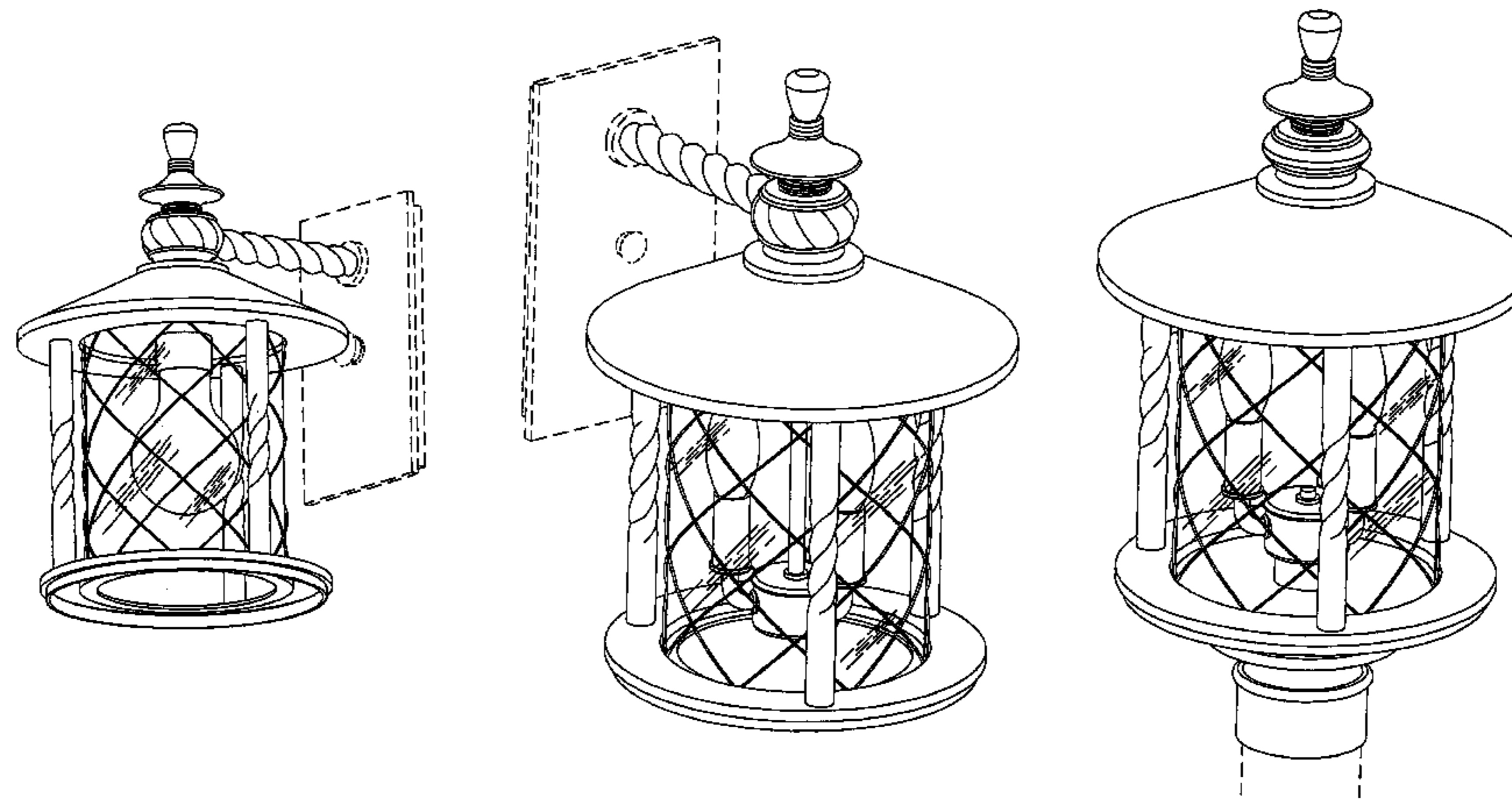
*Primary Examiner*—Clare E Heflin  
(74) *Attorney, Agent, or Firm*—Brian S. Steinberger; Law Offices of Brian S. Steinberger, P.A.

(57) **CLAIM**

The ornamental design for an outdoor decorative light, as shown and described.

FIG. 1 is a bottom, right perspective view of an outdoor decorative light showing a first embodiment design of the New Design.  
FIG. 2 is a top left perspective view thereof;  
FIG. 3 is a front view thereof;  
FIG. 4 is a right side view thereof;  
FIG. 5 is a left side view thereof;  
FIG. 6 is a rear view thereof;  
FIG. 7 is a top view thereof;  
FIG. 8 is a bottom view thereof;  
FIG. 9 is a bottom right perspective view of an outdoor decorative light showing a second embodiment of the new design;  
FIG. 10 is top right perspective view thereof;  
FIG. 11 is a front view thereof;  
FIG. 12 is a right side view thereof;  
FIG. 13 is a left side view thereof;  
FIG. 14 is a rear view thereof;  
FIG. 15 is a top view thereof;  
FIG. 16 is a bottom view thereof;  
FIG. 17 is a top right perspective view of an outdoor decorative light showing a third embodiment of the new design;  
FIG. 18 is a bottom right perspective view thereof;  
FIG. 19 is a front view thereof;  
FIG. 20 is a right side view thereof;  
FIG. 21 is a rear view thereof;  
FIG. 22 is a left side view thereof;  
FIG. 23 is a top view thereof;  
FIG. 24 is a bottom view thereof;  
FIG. 25 is a bottom perspective view of an outdoor decorative light showing a fourth embodiment of the new design;  
FIG. 26 is a top perspective view thereof;  
FIG. 27 is a front view thereof;  
FIG. 28 is a right side view thereof;  
FIG. 29 is a rear view thereof;  
FIG. 30 is a left side view thereof;  
FIG. 31 is a top view thereof; and  
FIG. 32 is a bottom view thereof.  
The broken lines shown on the drawings are for illustrative purposes only and form no part of the claimed design.

**1 Claim, 32 Drawing Sheets**



# US D535,777 S

Page 2

---

## U.S. PATENT DOCUMENTS

D496,119 S	9/2004	Bucher et al.	.....	D26/67
D497,022 S	10/2004	Bucher et al.	.....	D26/67
D500,160 S	12/2004	Bucher et al.	.....	D26/71
D500,161 S	12/2004	Bucher et al.	.....	D26/71
D500,876 S	1/2005	Bucher et al.	.....	D26/67

## OTHER PUBLICATIONS

Cast Outdoor Lantern, [online] Hinkley Lighting, Hinkley Light-13 Classic Cool, products, families with products in

the Cast Outdoor Lantern category, 2 pages [retrieved on Jun. 29, 2005] Retrieved from: <http://www.hinkleylighting.com/products/catfams.asp?cid=011&fid=018110>.

“Bromley”, [online] The Home Depot, 5 matching products, [retrieved on Jun. 29, 2005] 2 pages, Retrieved from: [http://qqq.homedepot.com/pre180HDUS/EN\\_US/jsearch/searchResults.jsp?CNTTYPE=...](http://qqq.homedepot.com/pre180HDUS/EN_US/jsearch/searchResults.jsp?CNTTYPE=...)

\* cited by examiner

Fig. 1

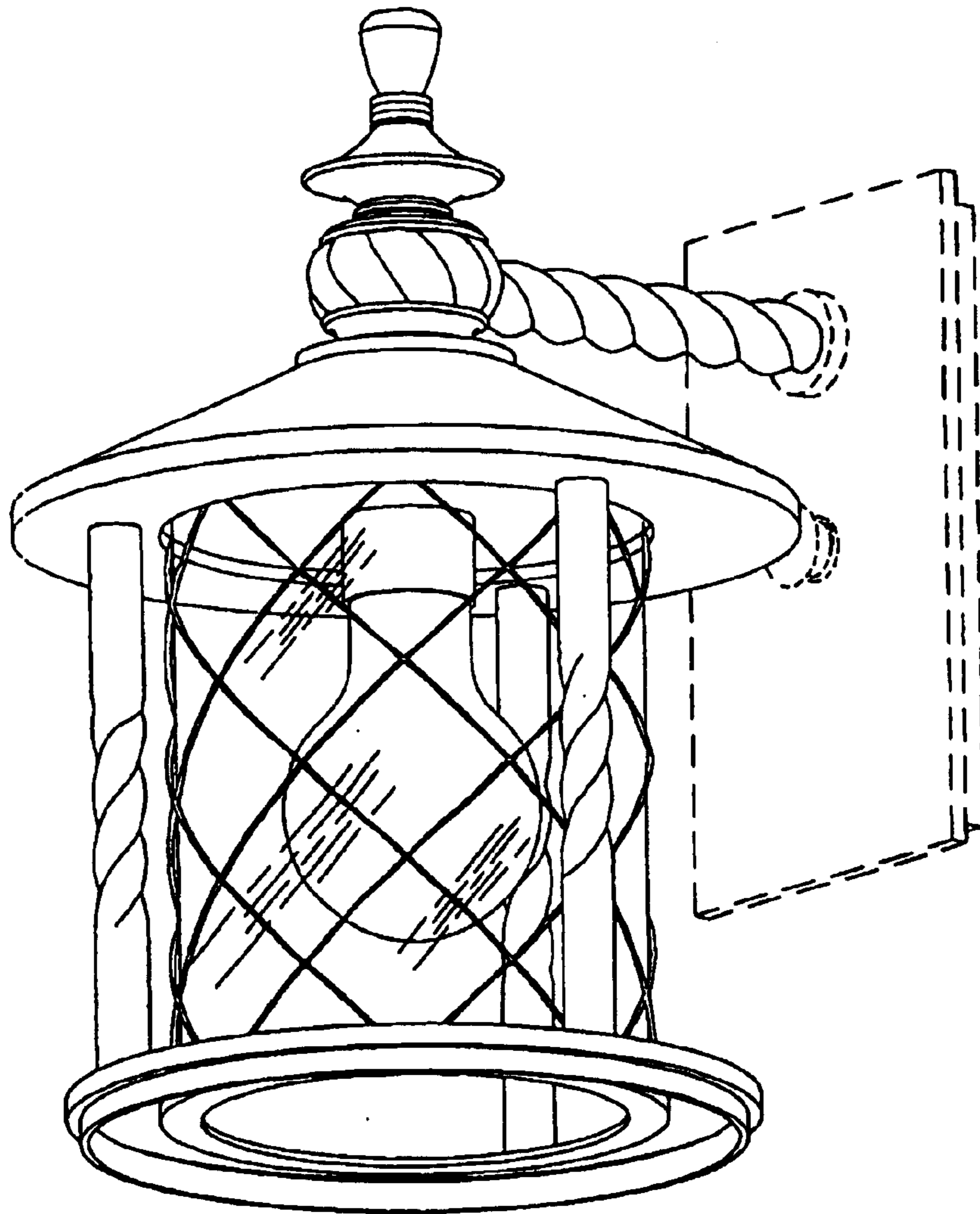


Fig.2

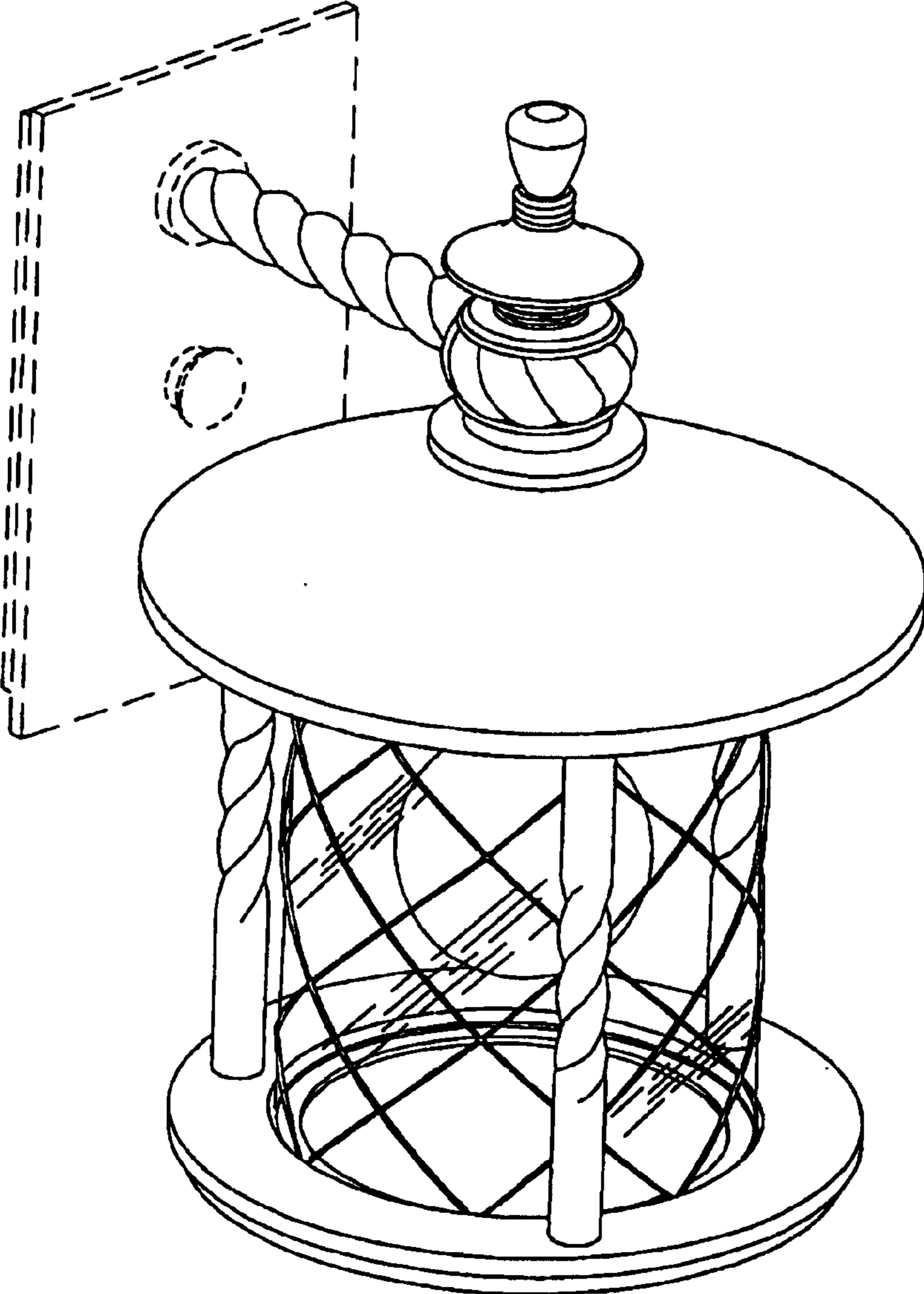


Fig.3

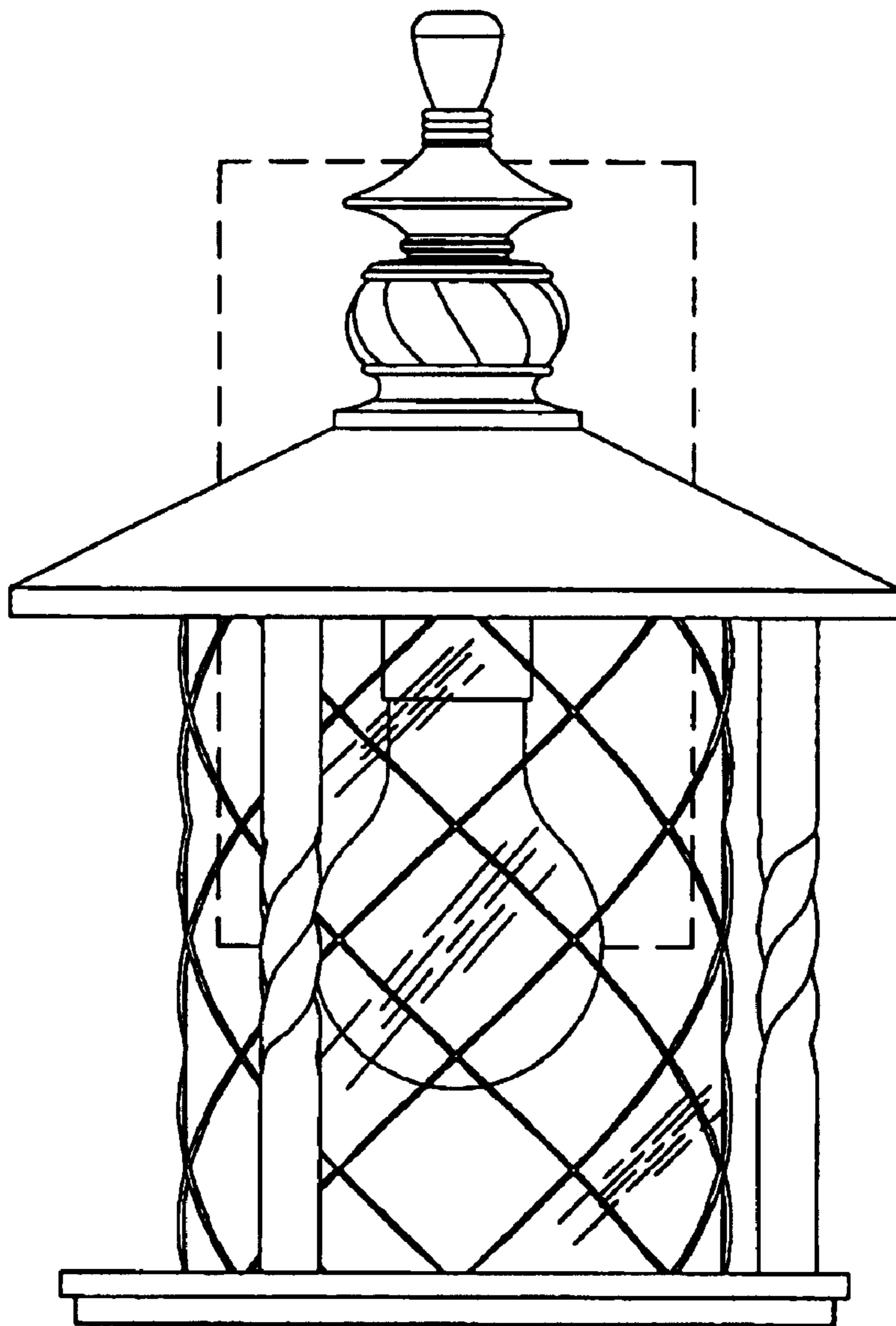


Fig.4

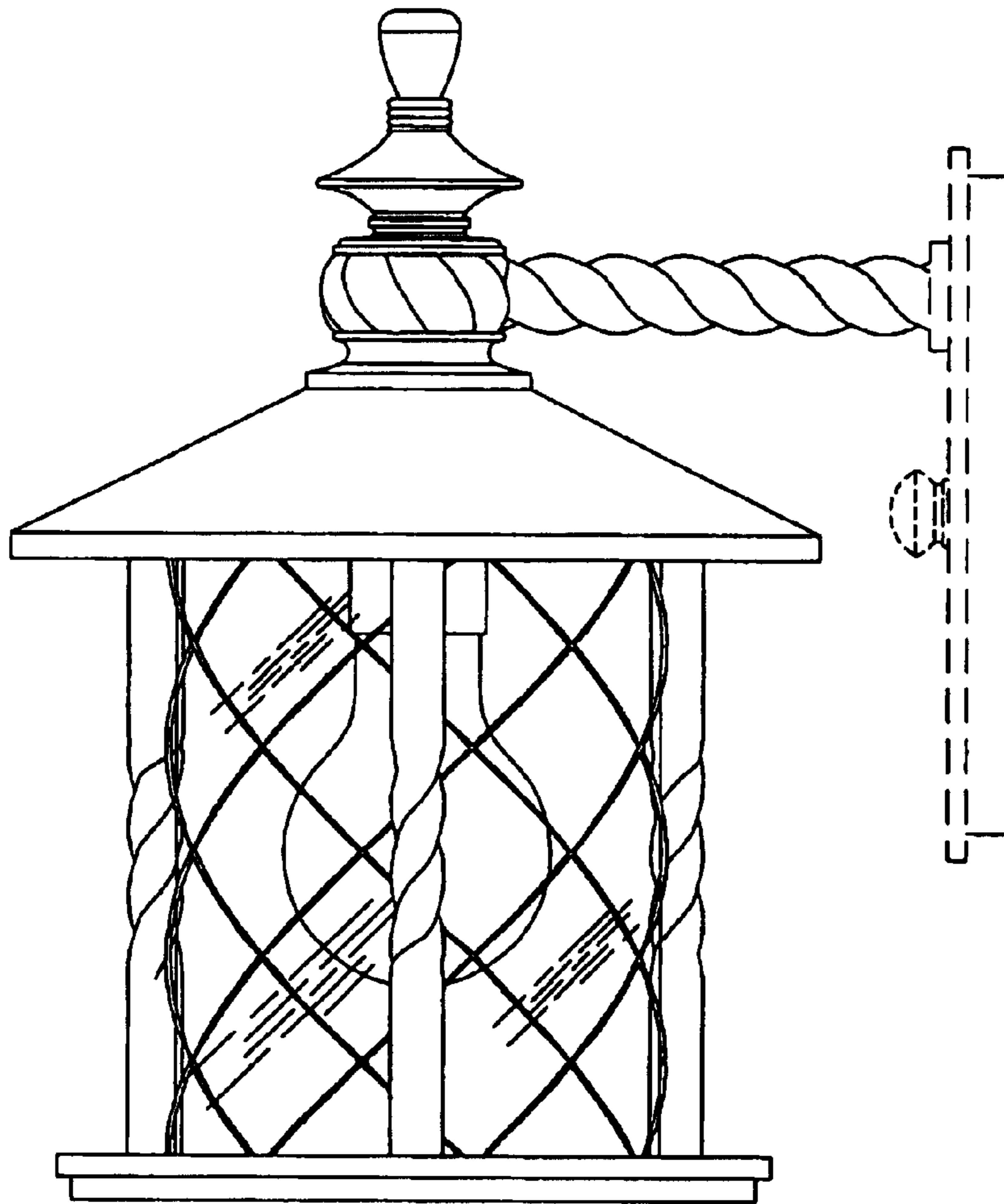
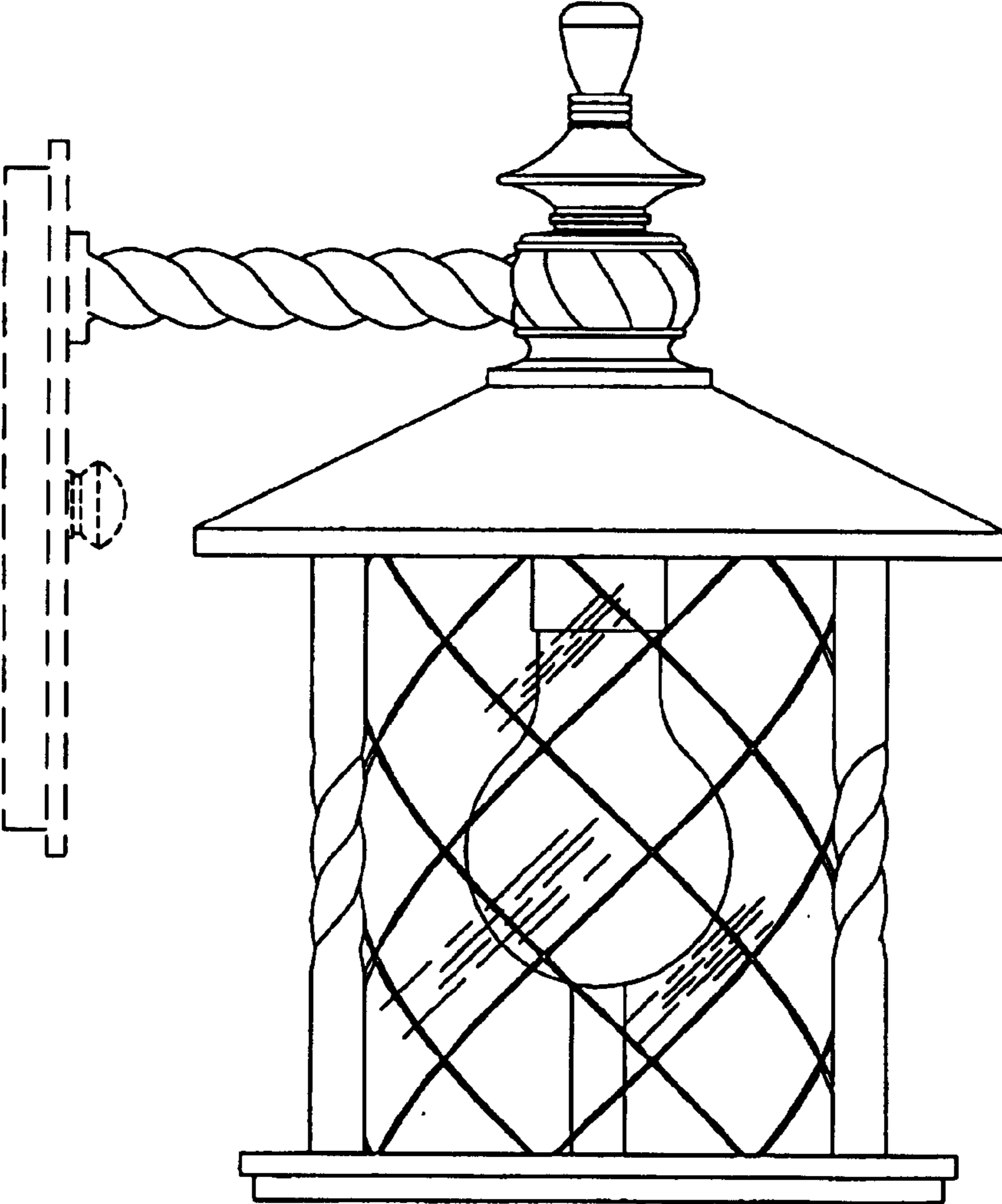
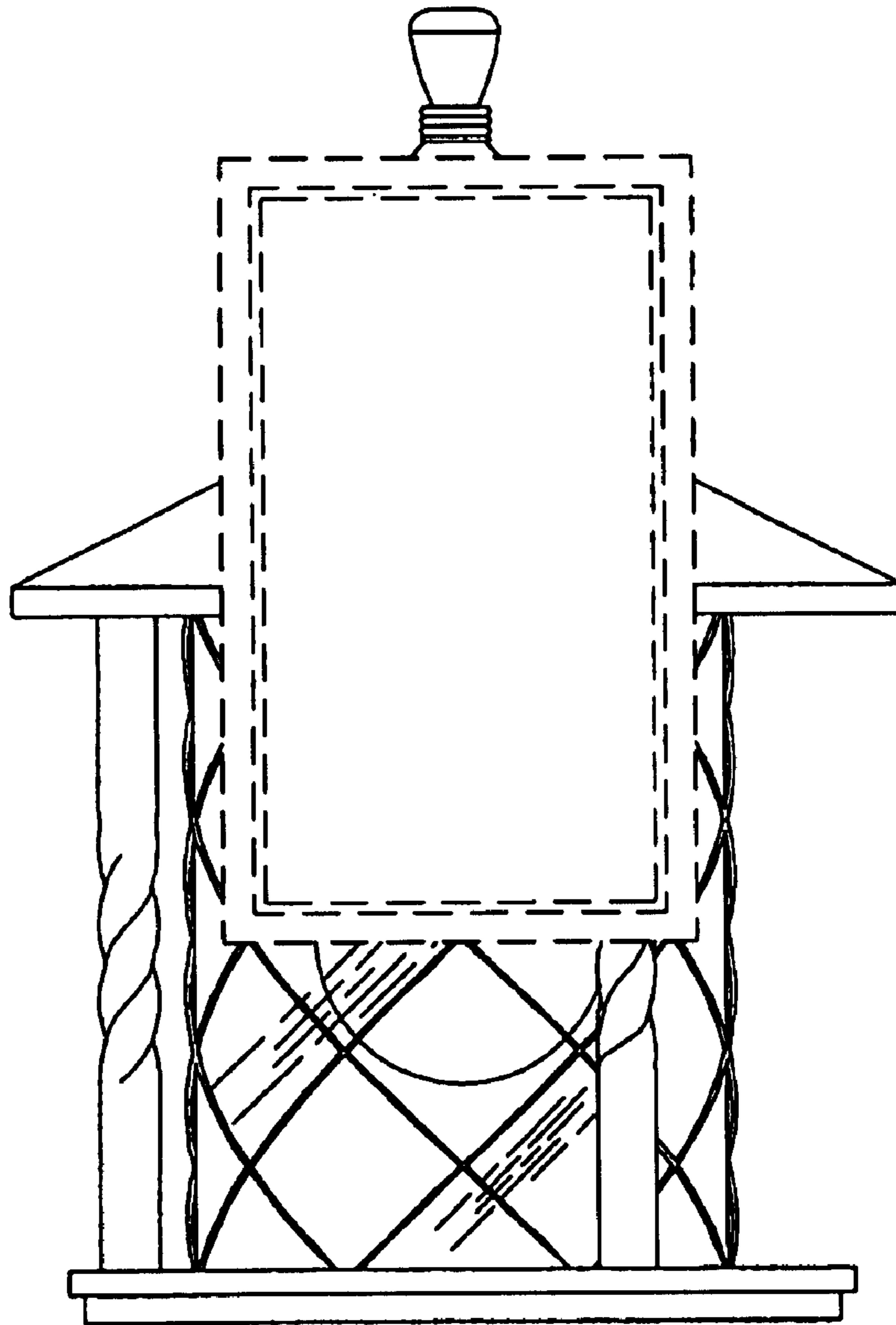


Fig.5

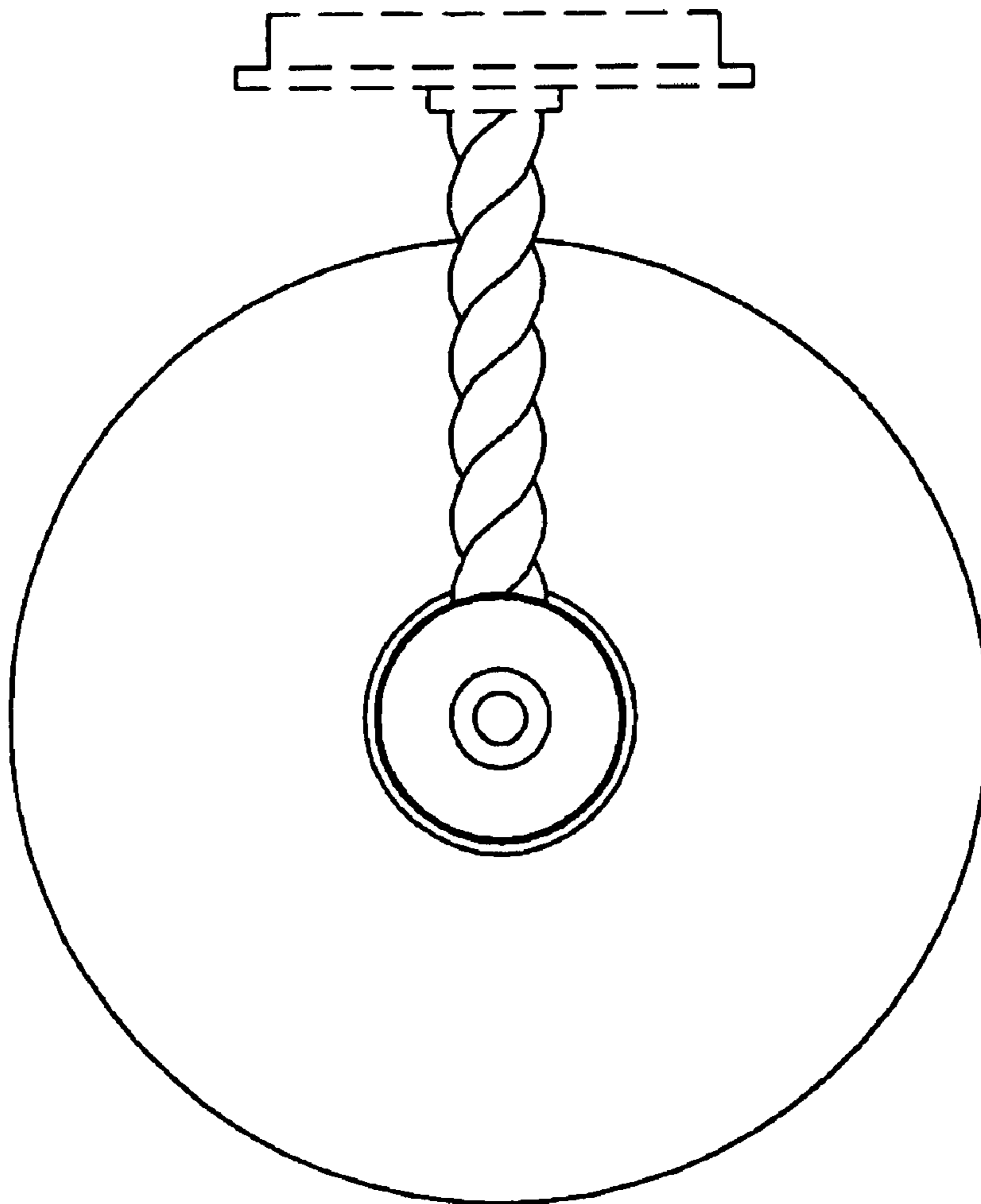


**Fig.6**





**Fig. 7**



**Fig.8**

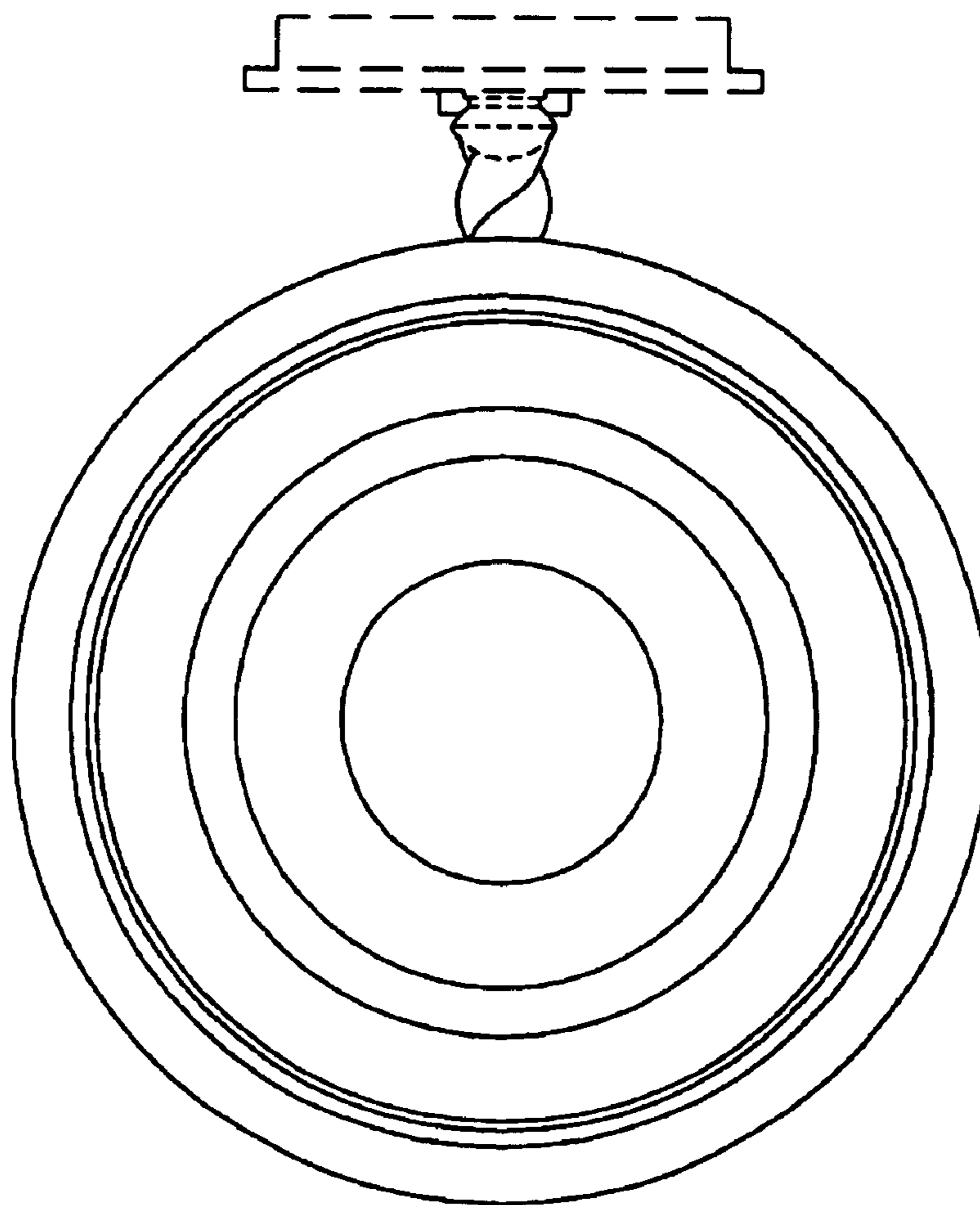


Fig.9

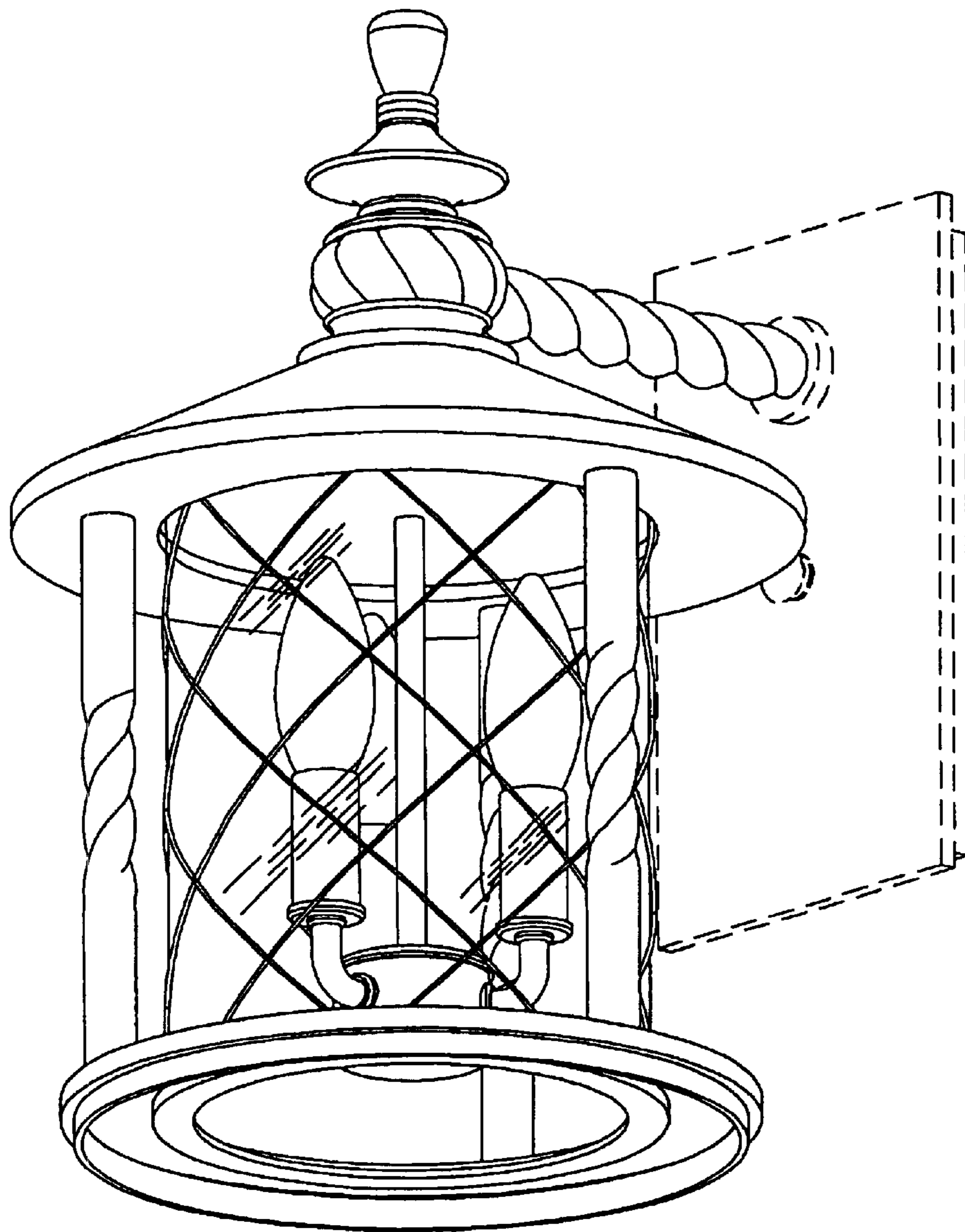


Fig.10

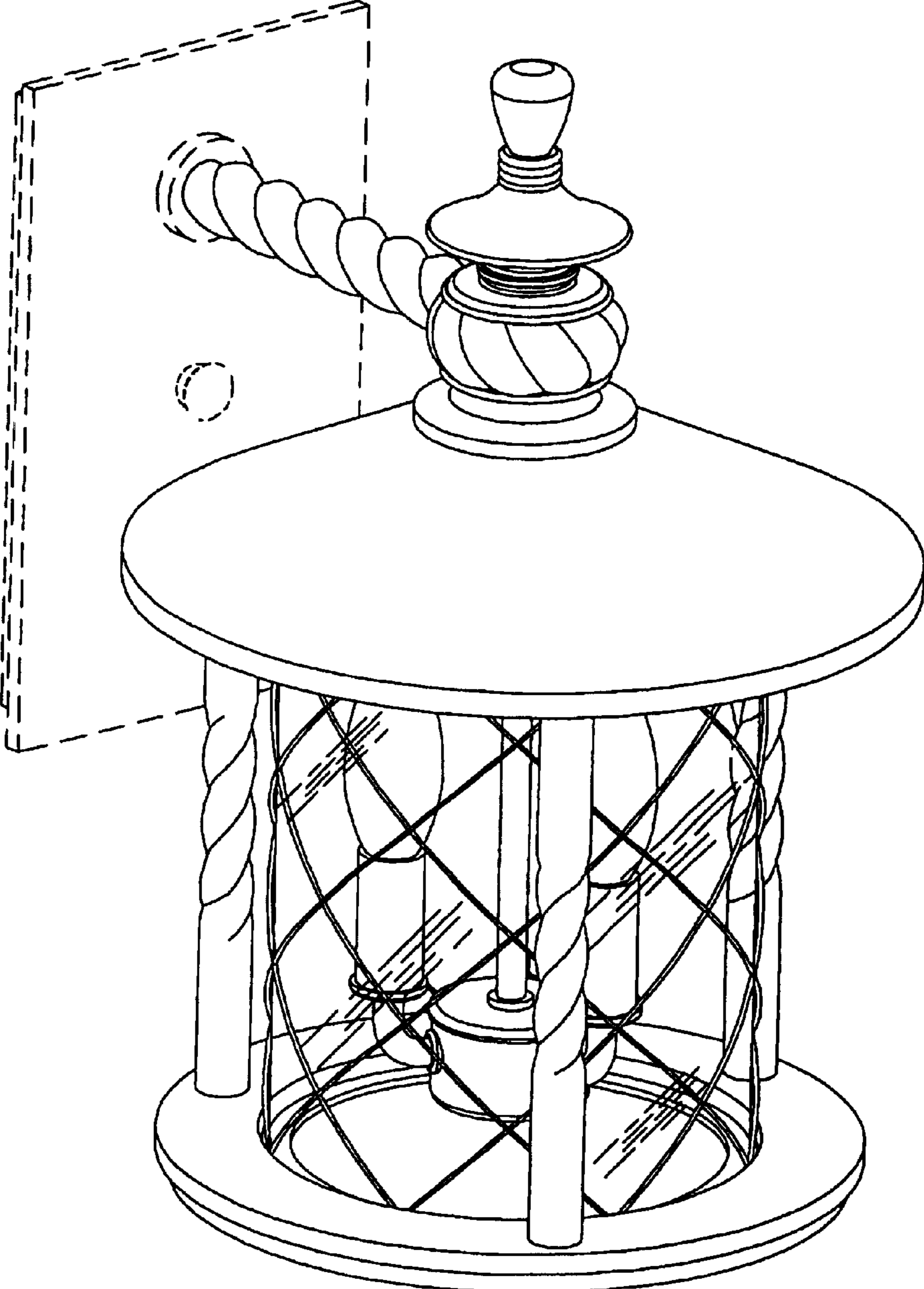


Fig. 11

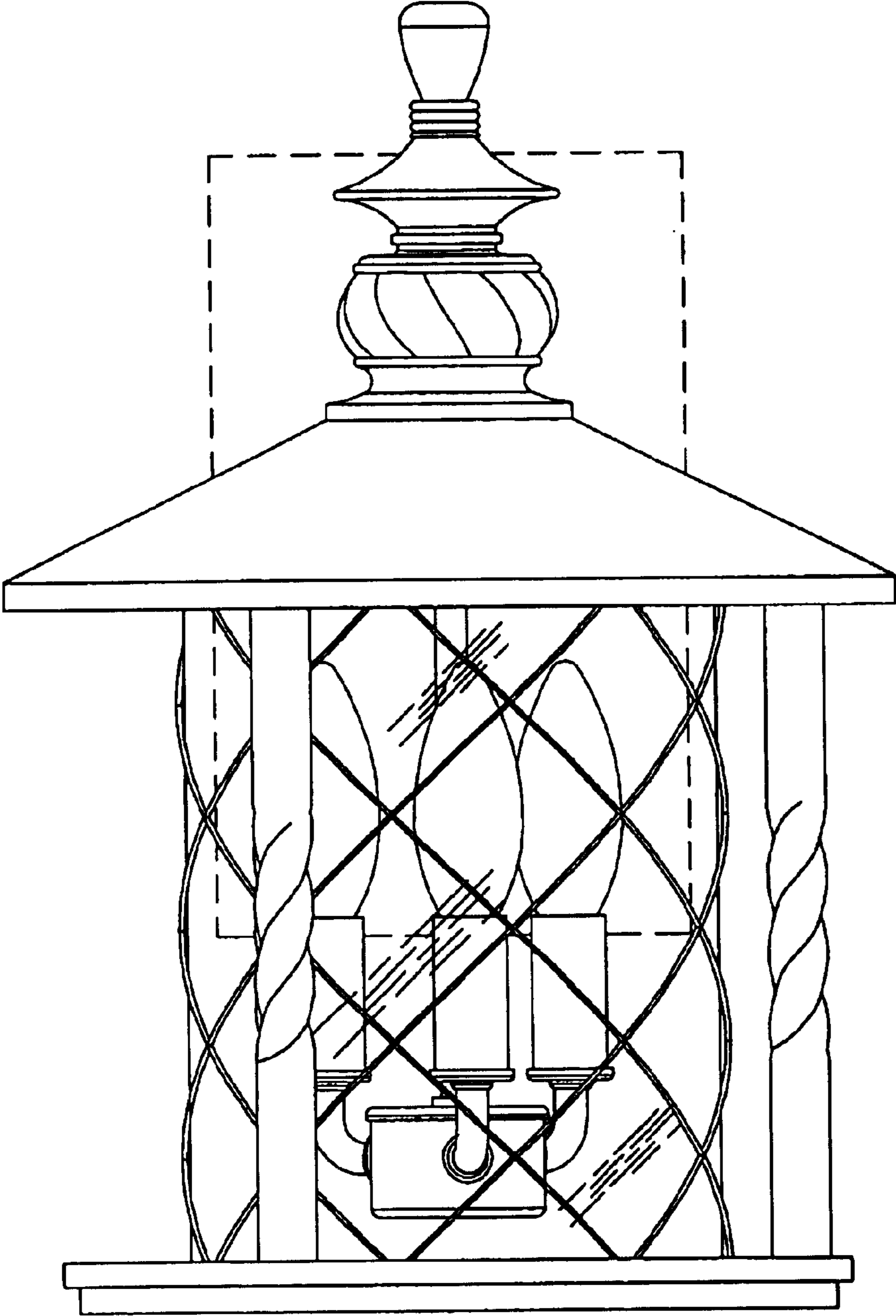


Fig.12

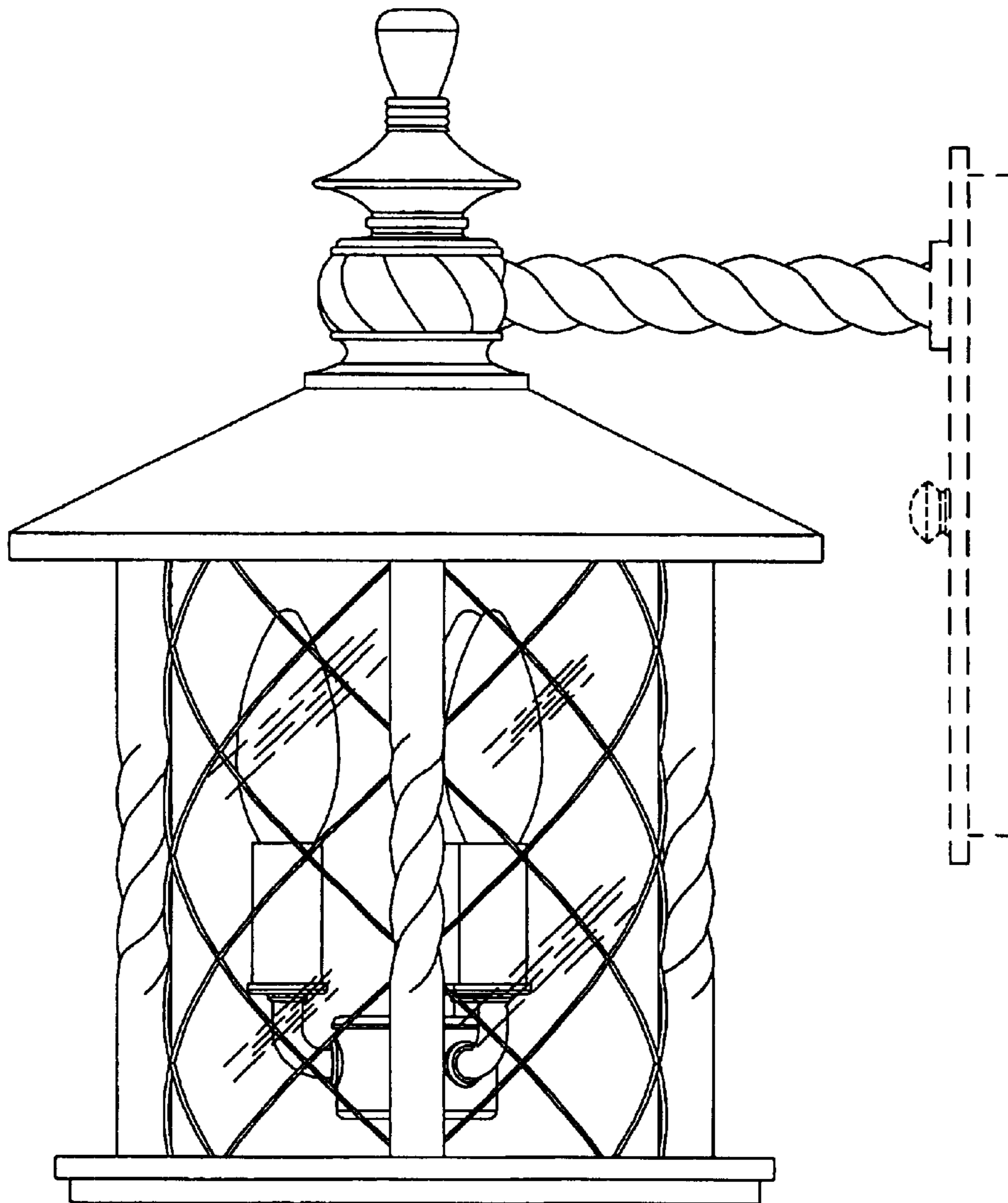


Fig.13

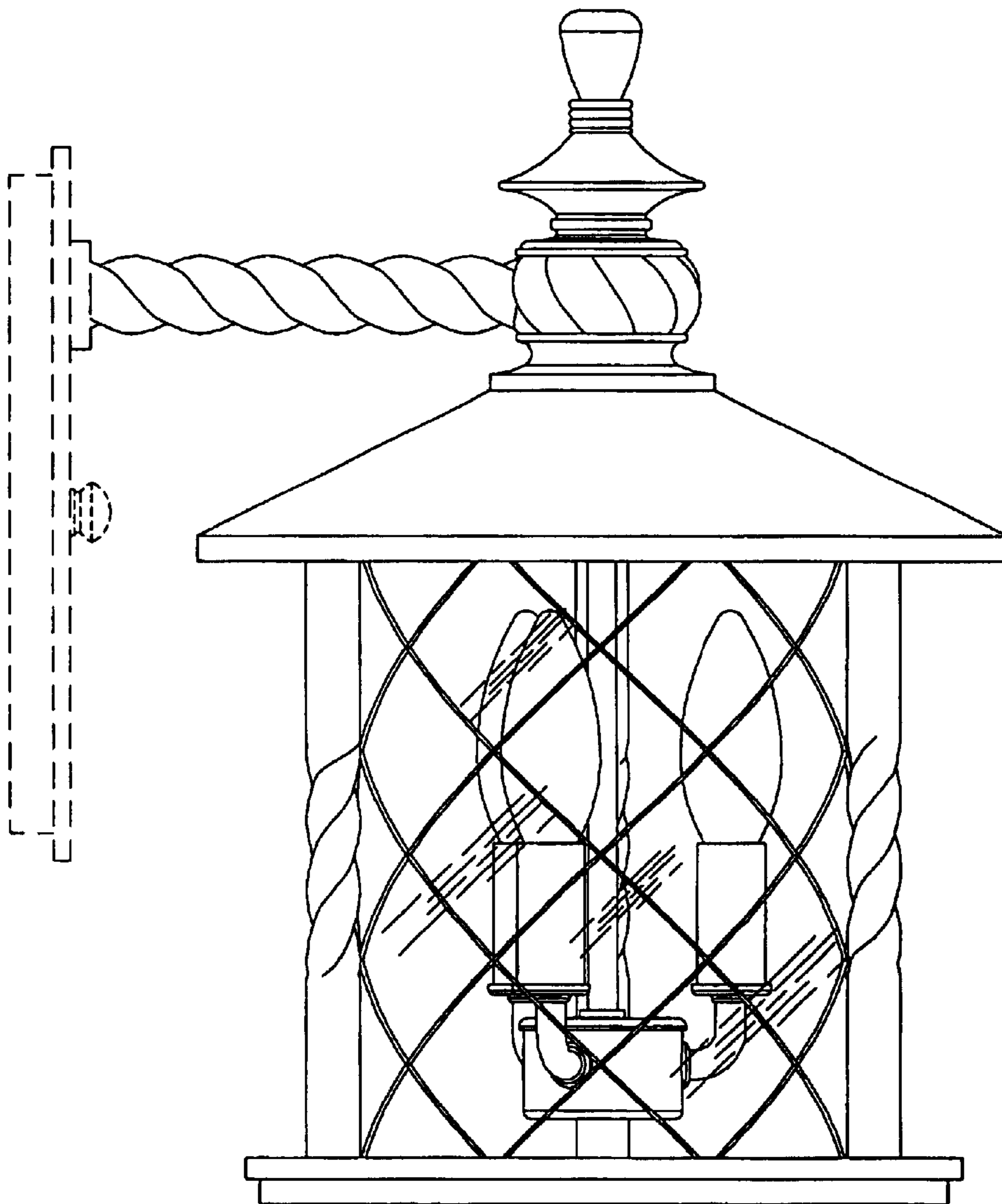


Fig. 14

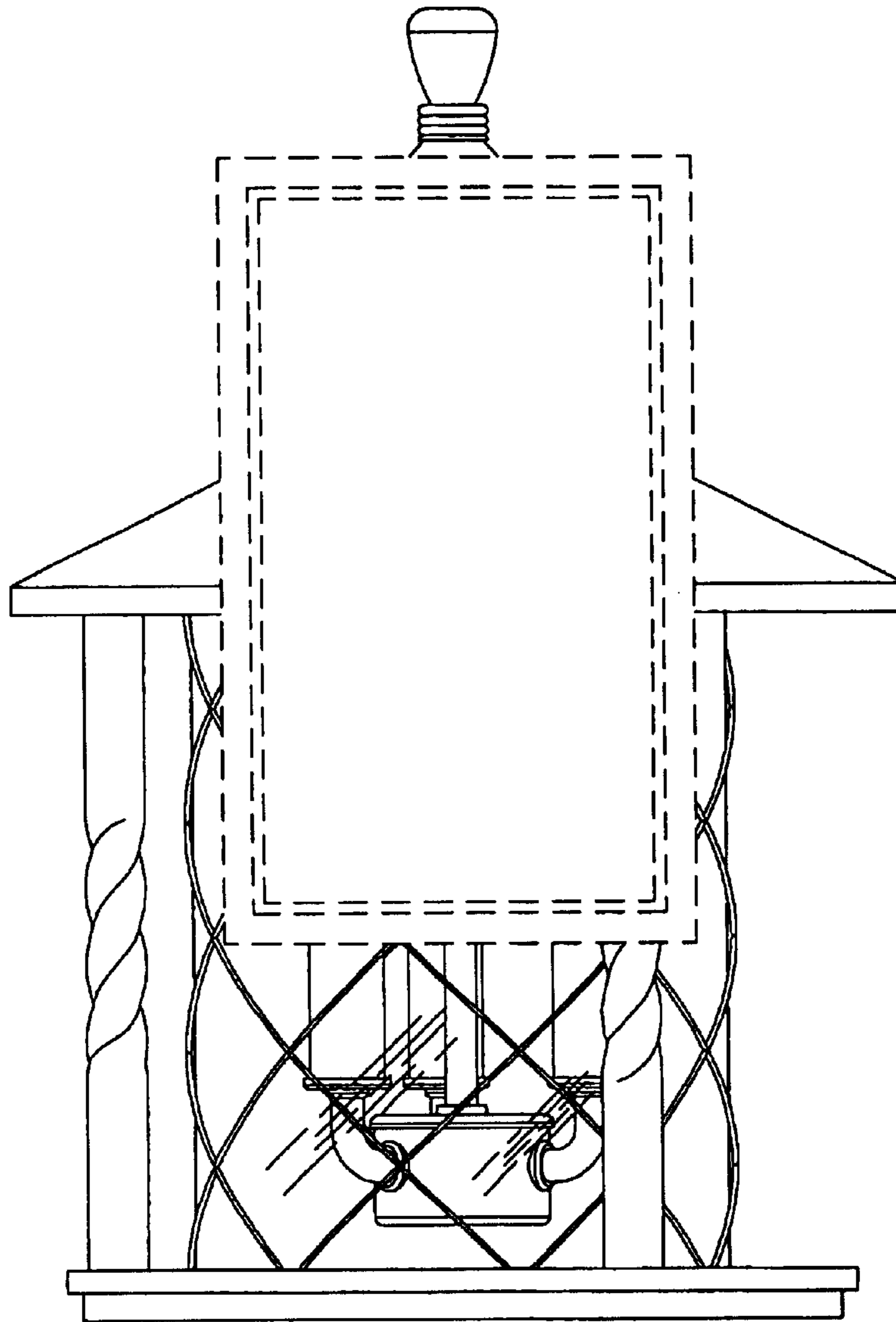




Fig.15

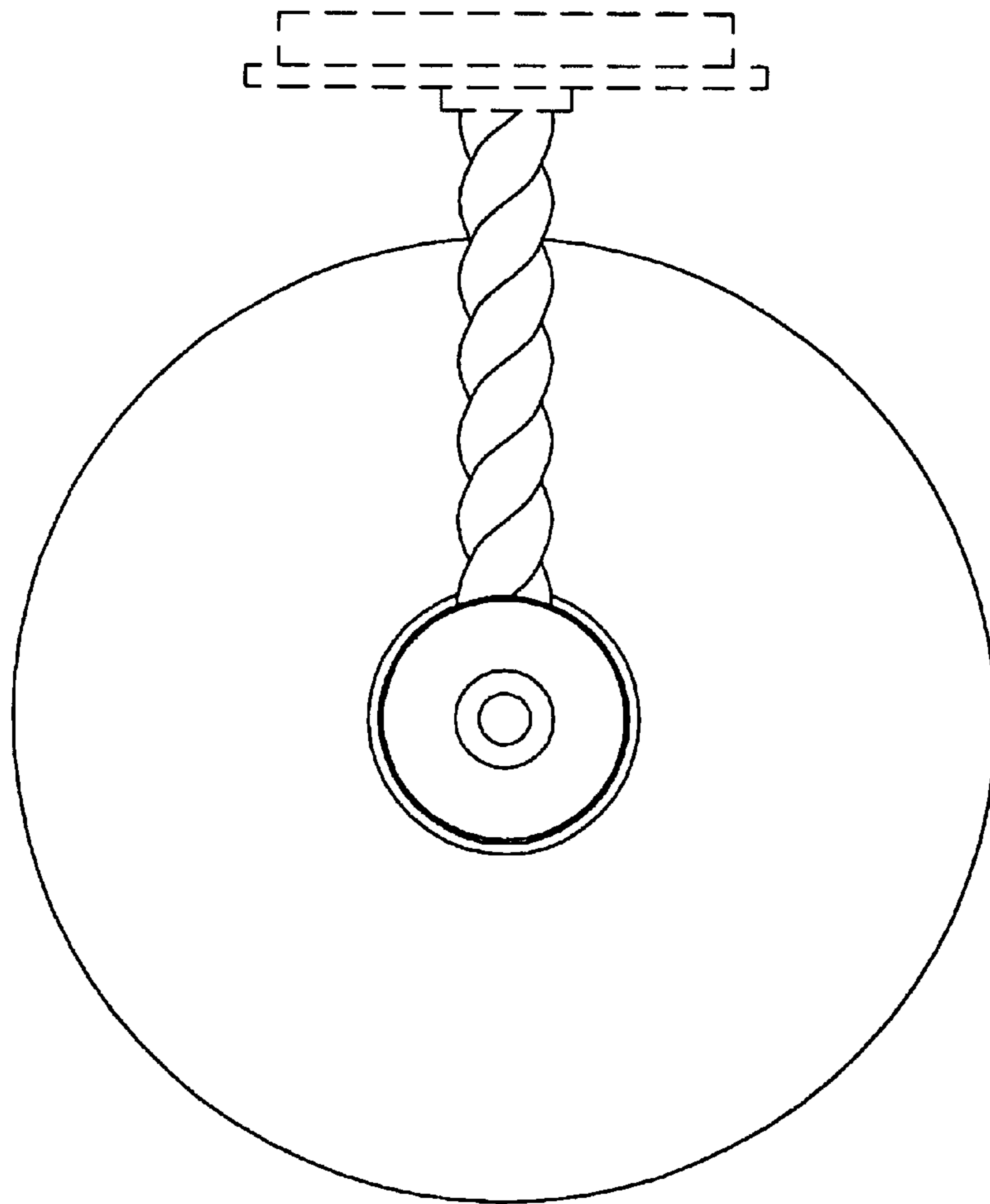


Fig. 16

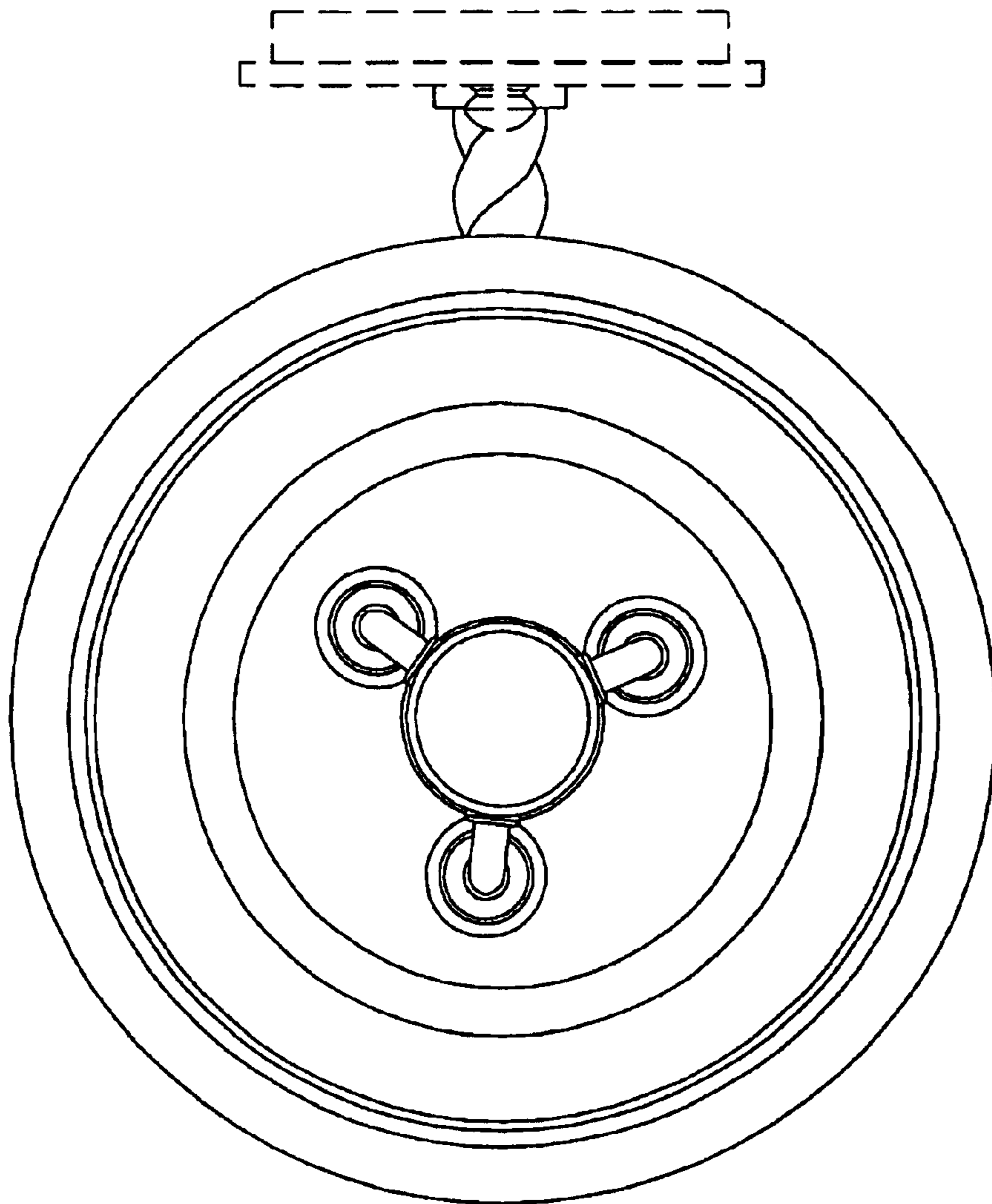


Fig.17

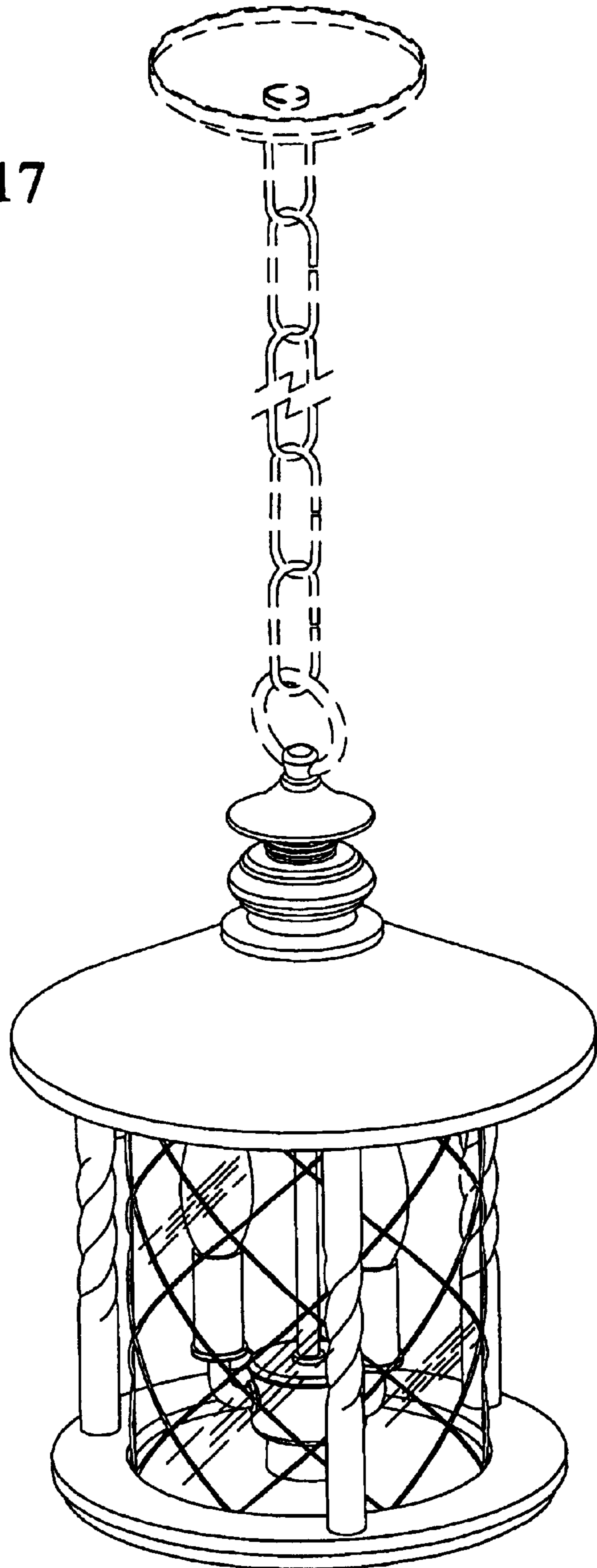


Fig.18

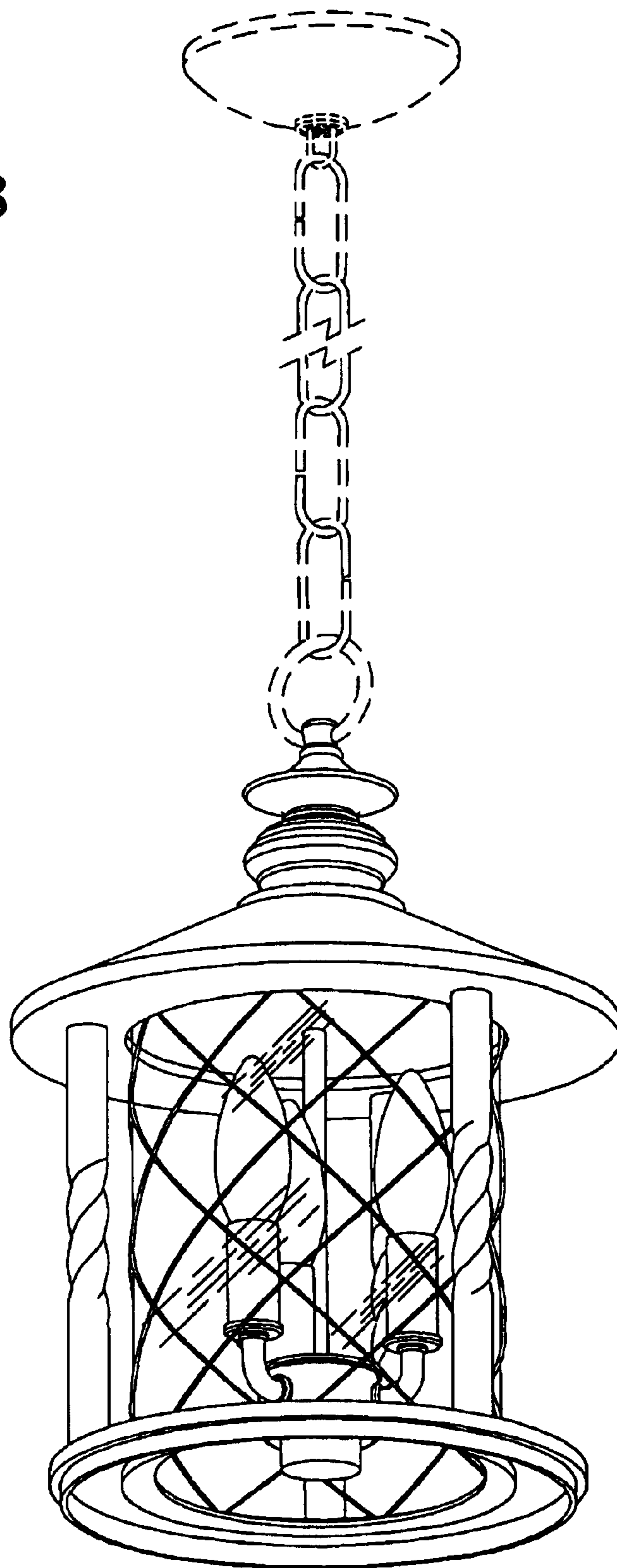


Fig.19

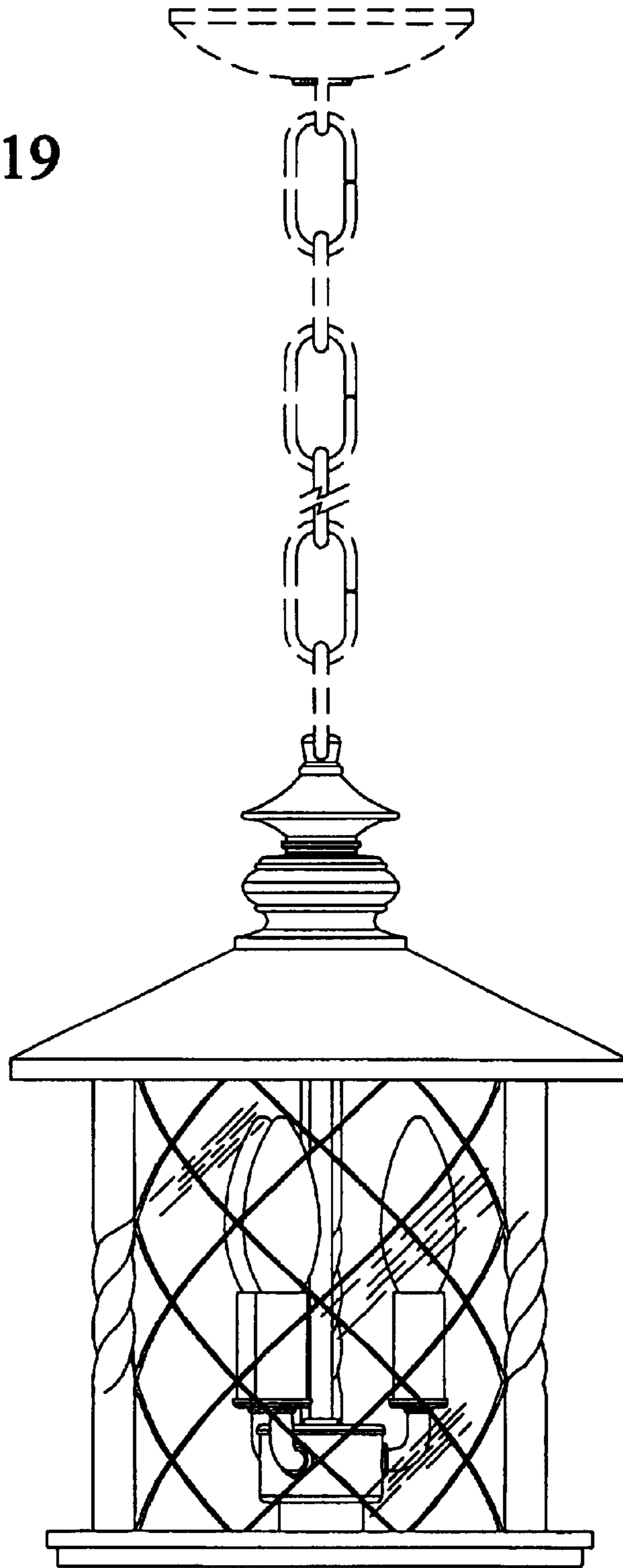


Fig.20

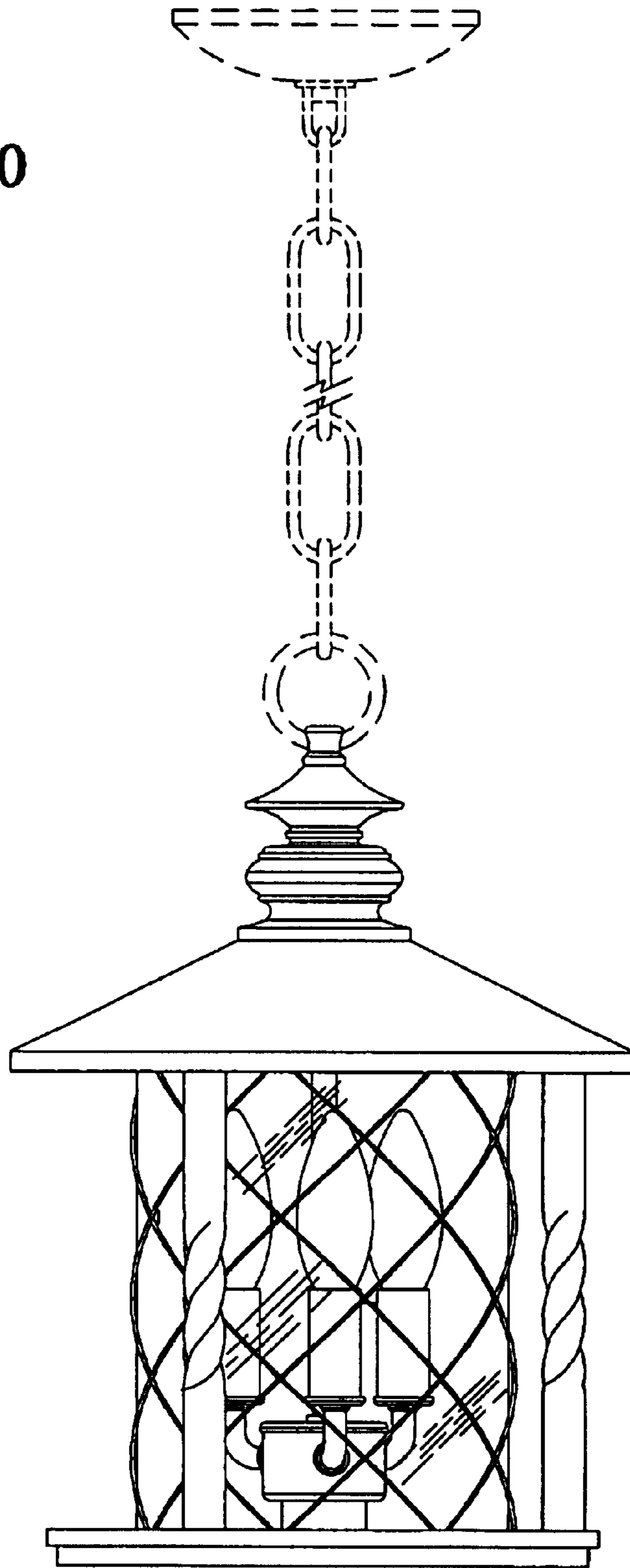
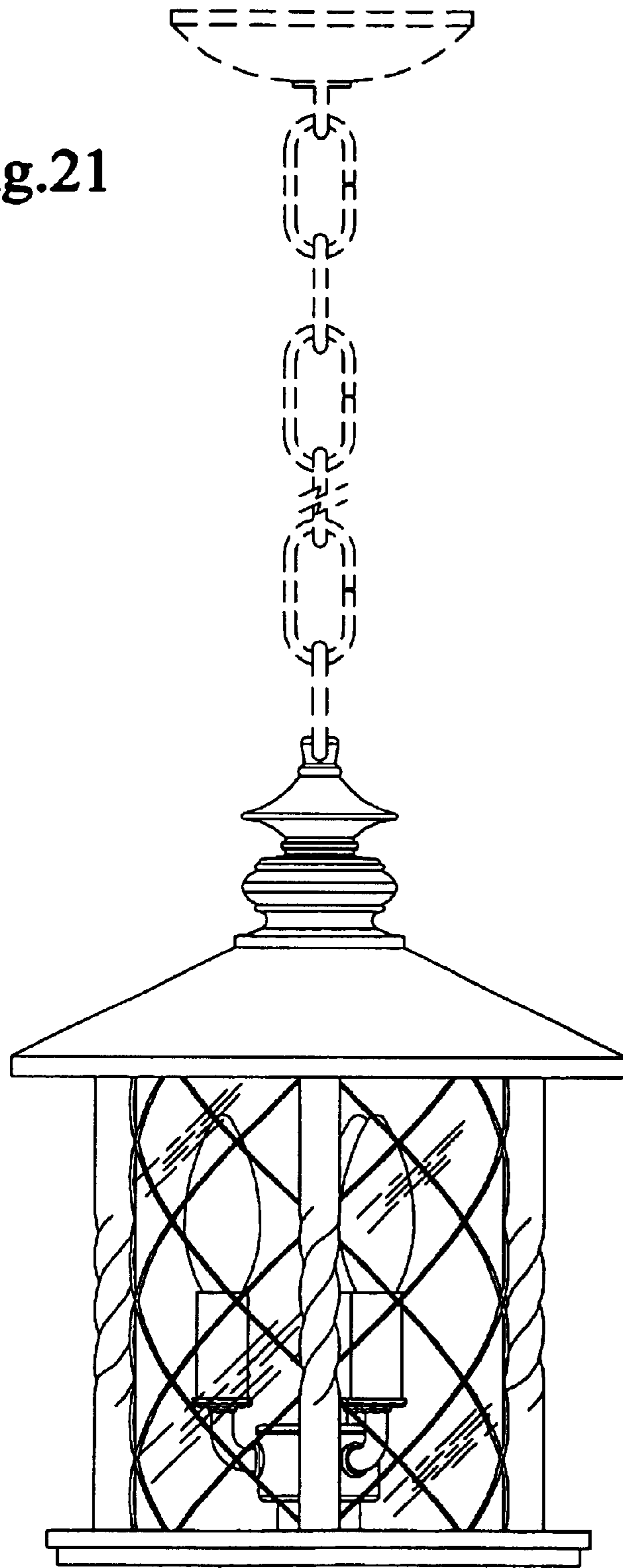
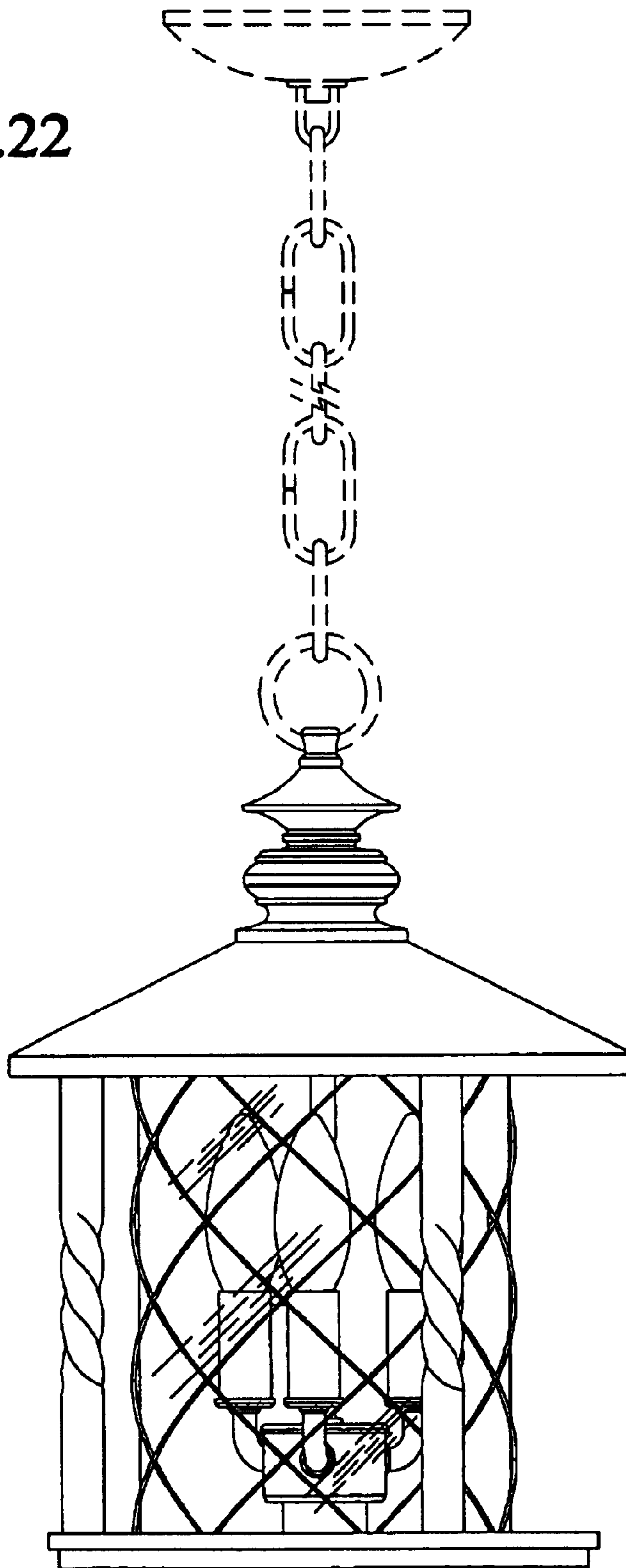


Fig.21

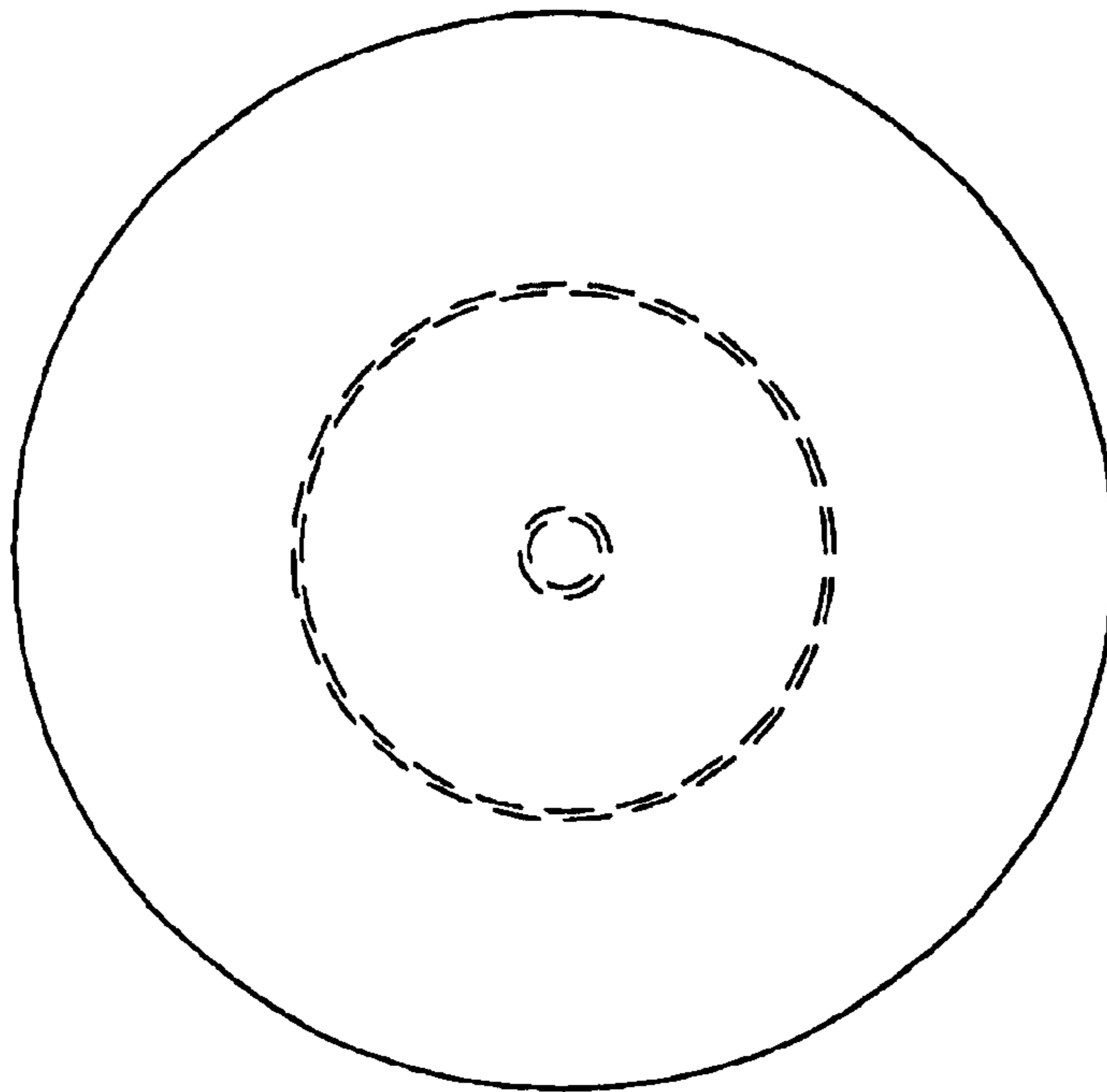


**Fig.22**





**Fig.23**



**Fig.24**

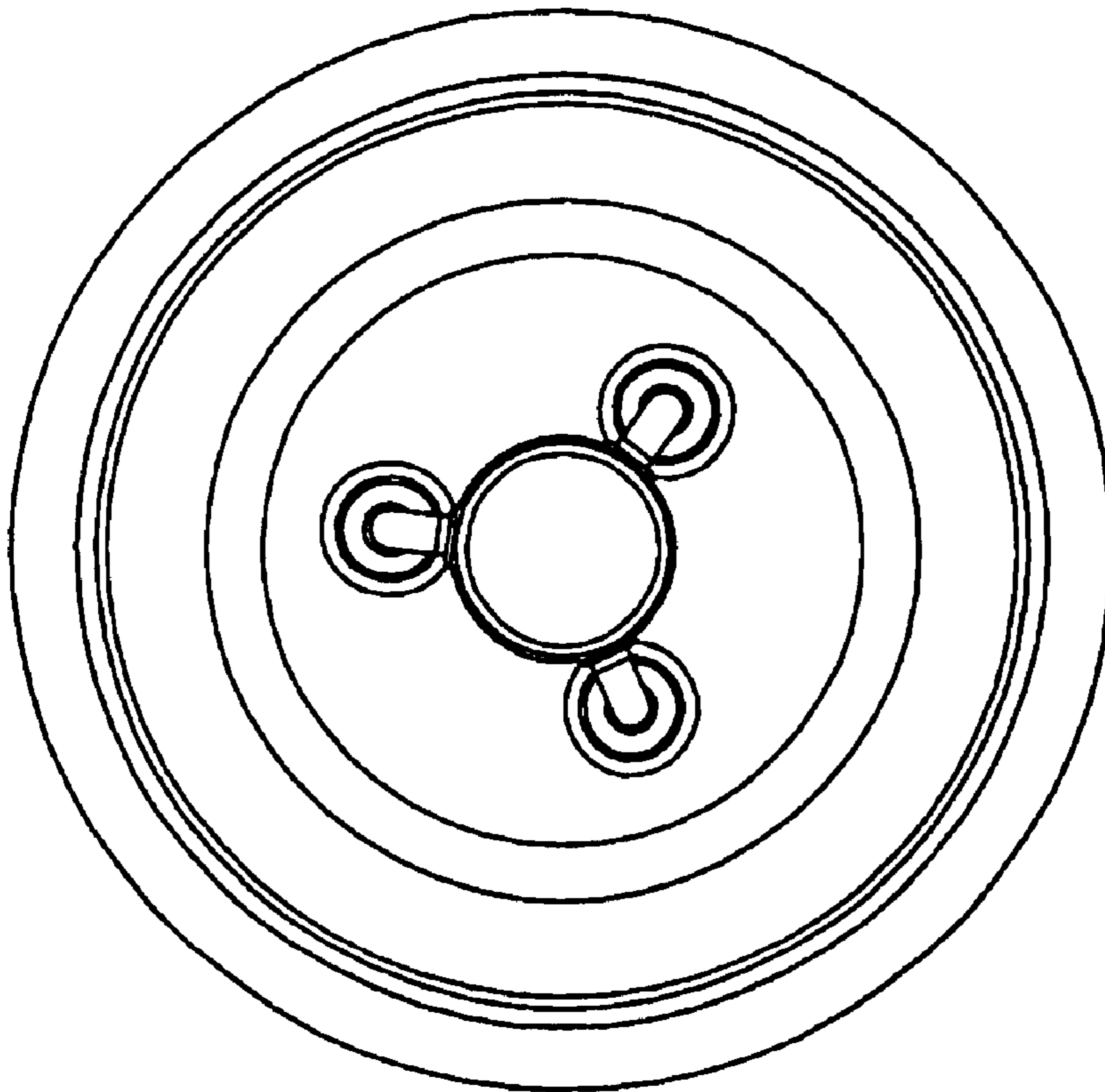


Fig.25

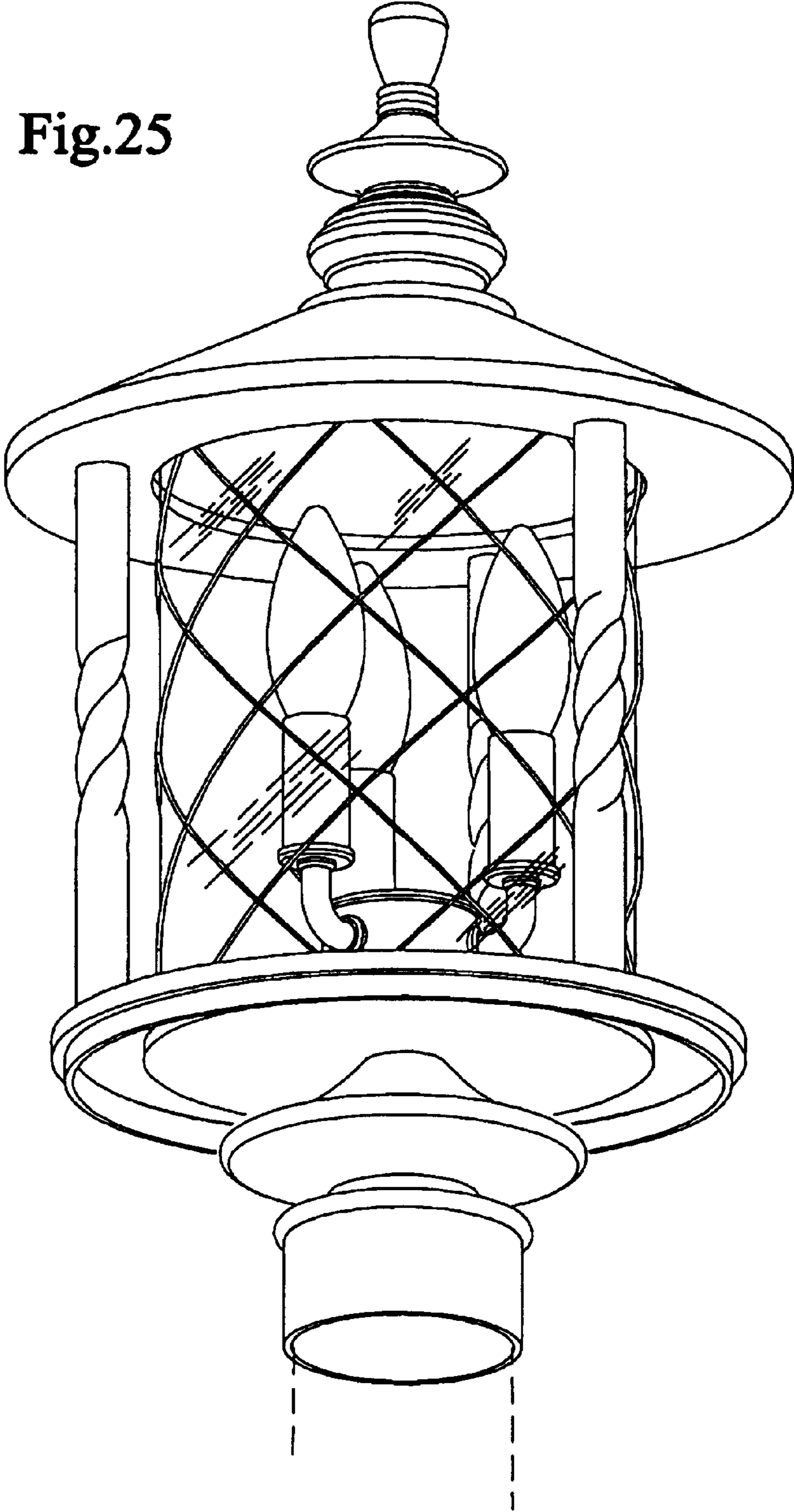


Fig.26

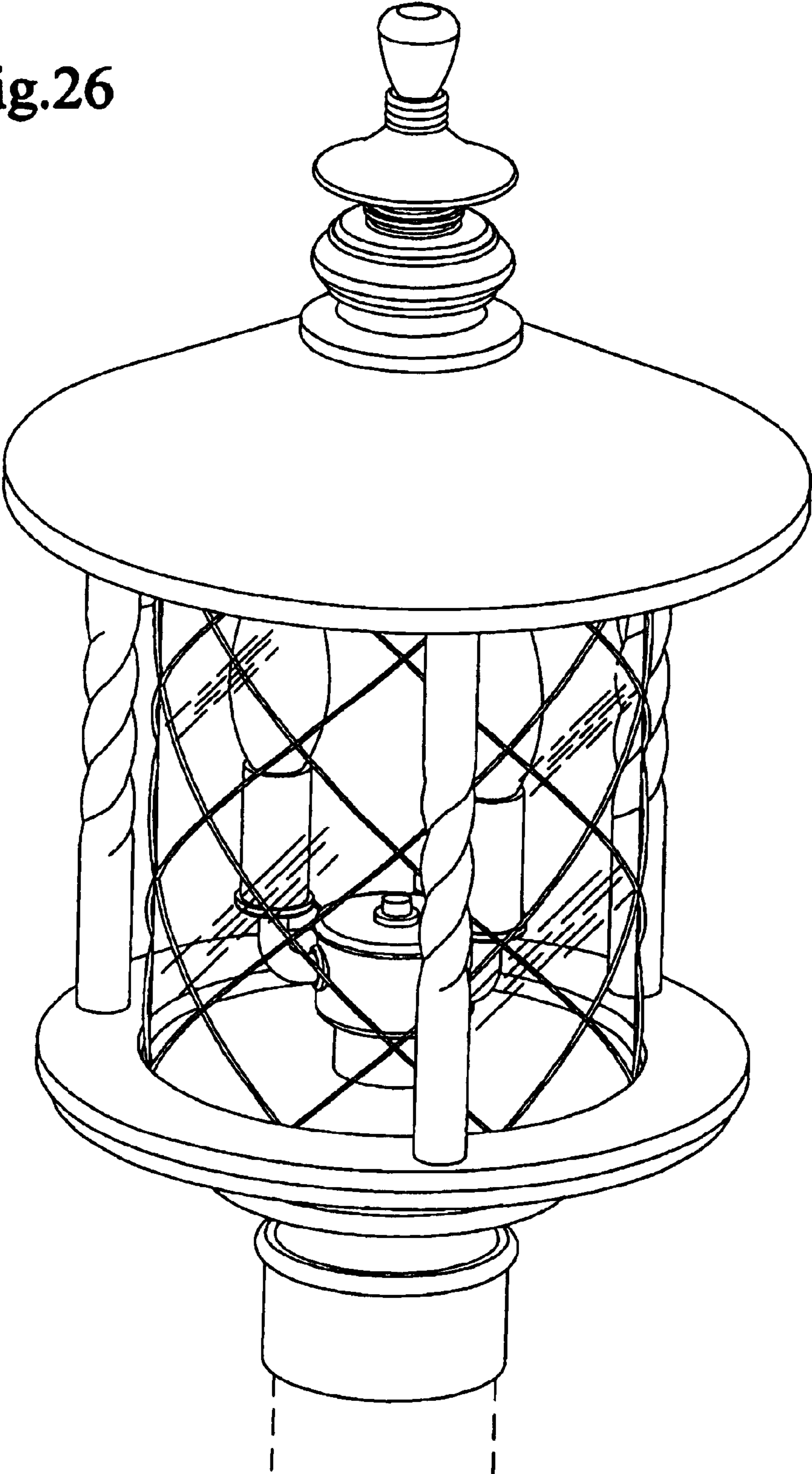


Fig.27

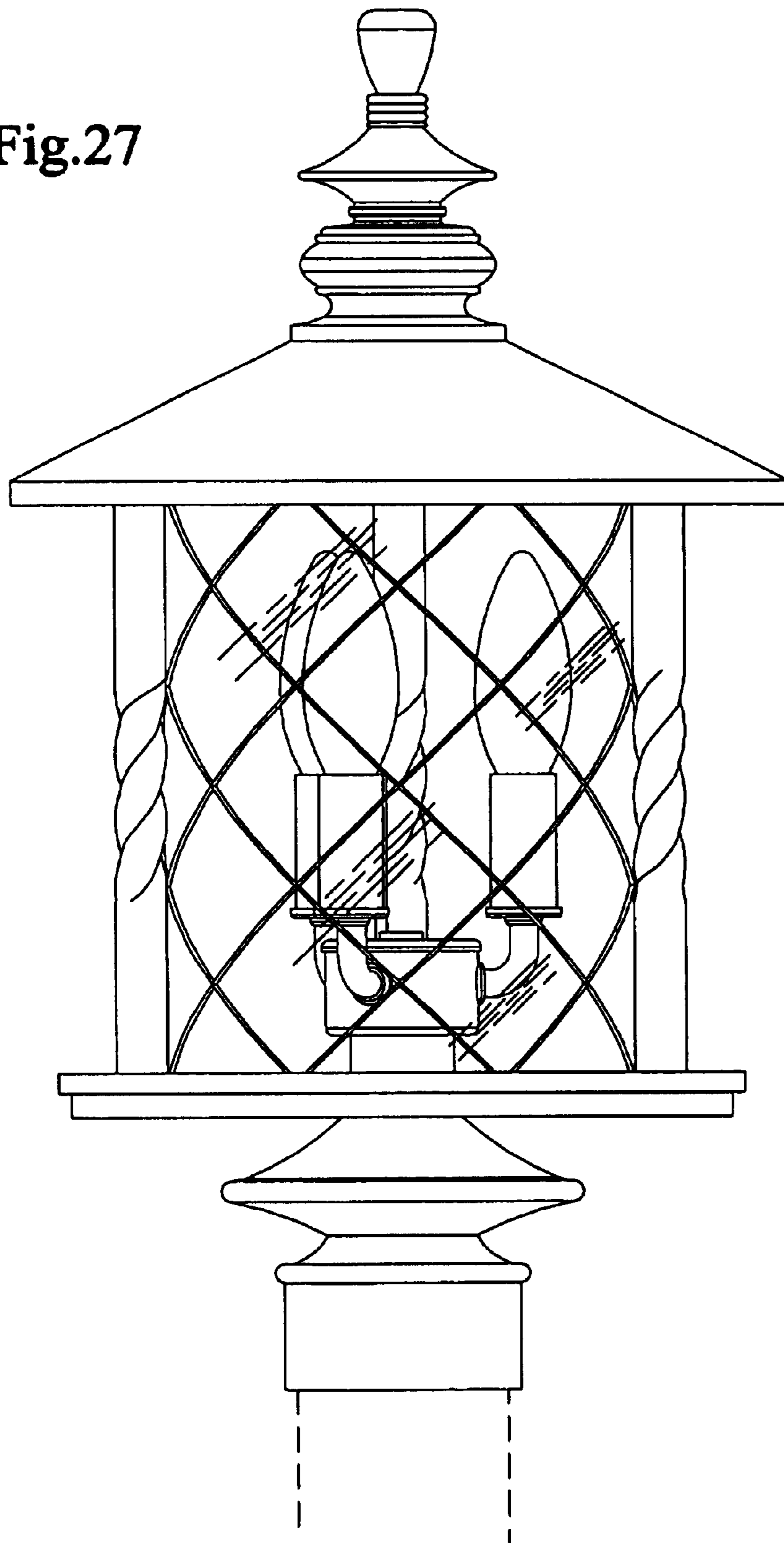


Fig.28

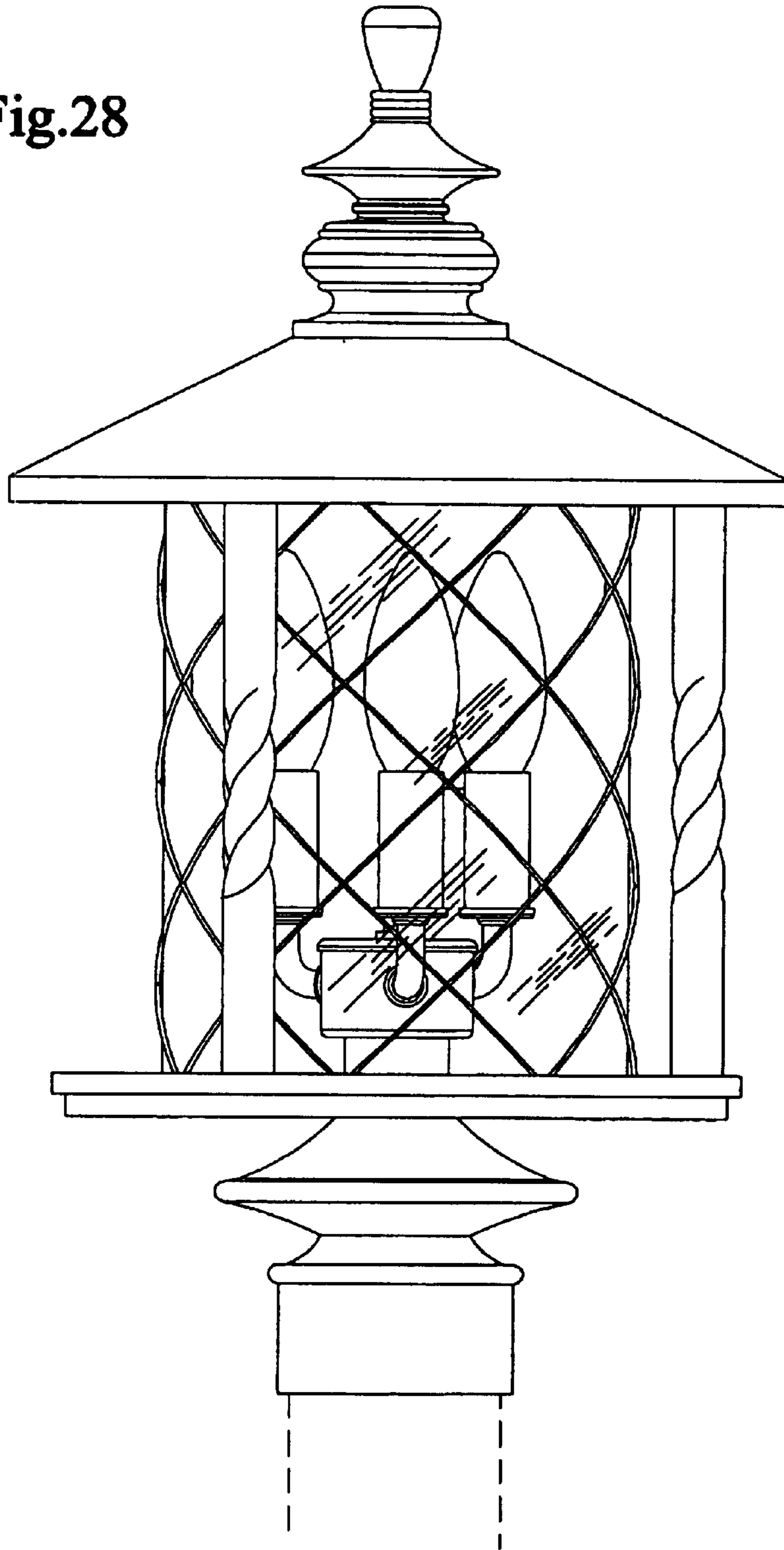


Fig.29

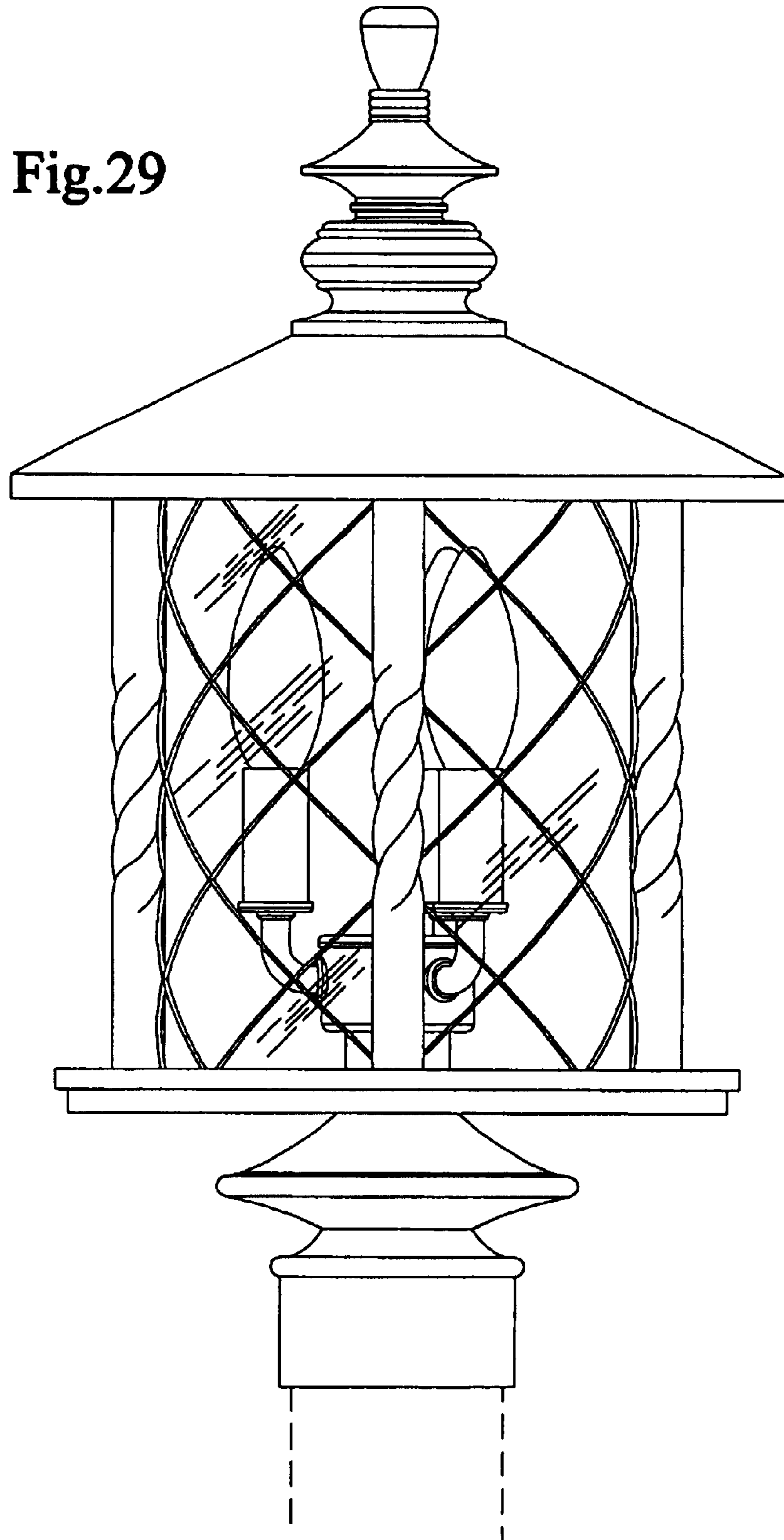
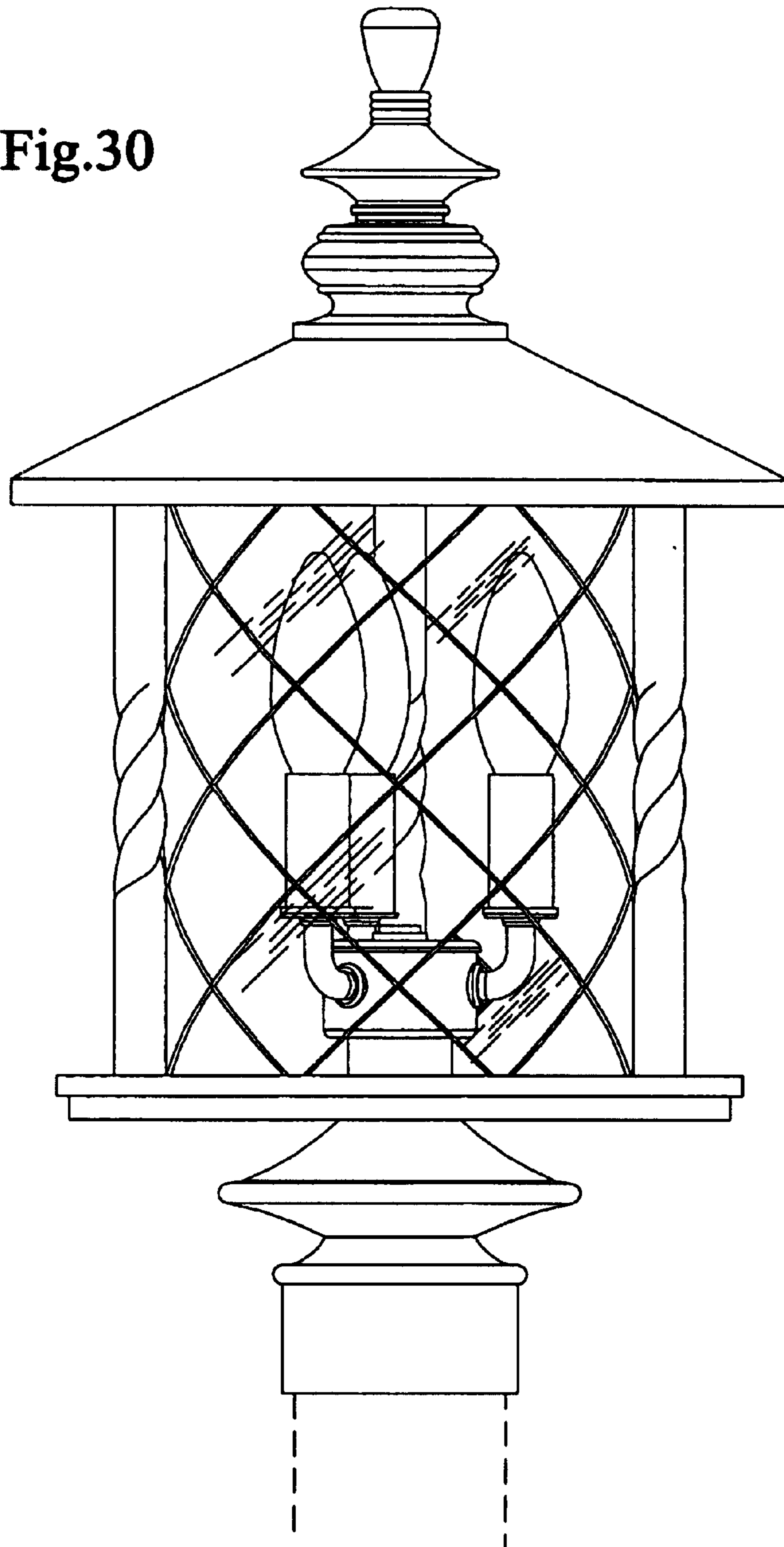
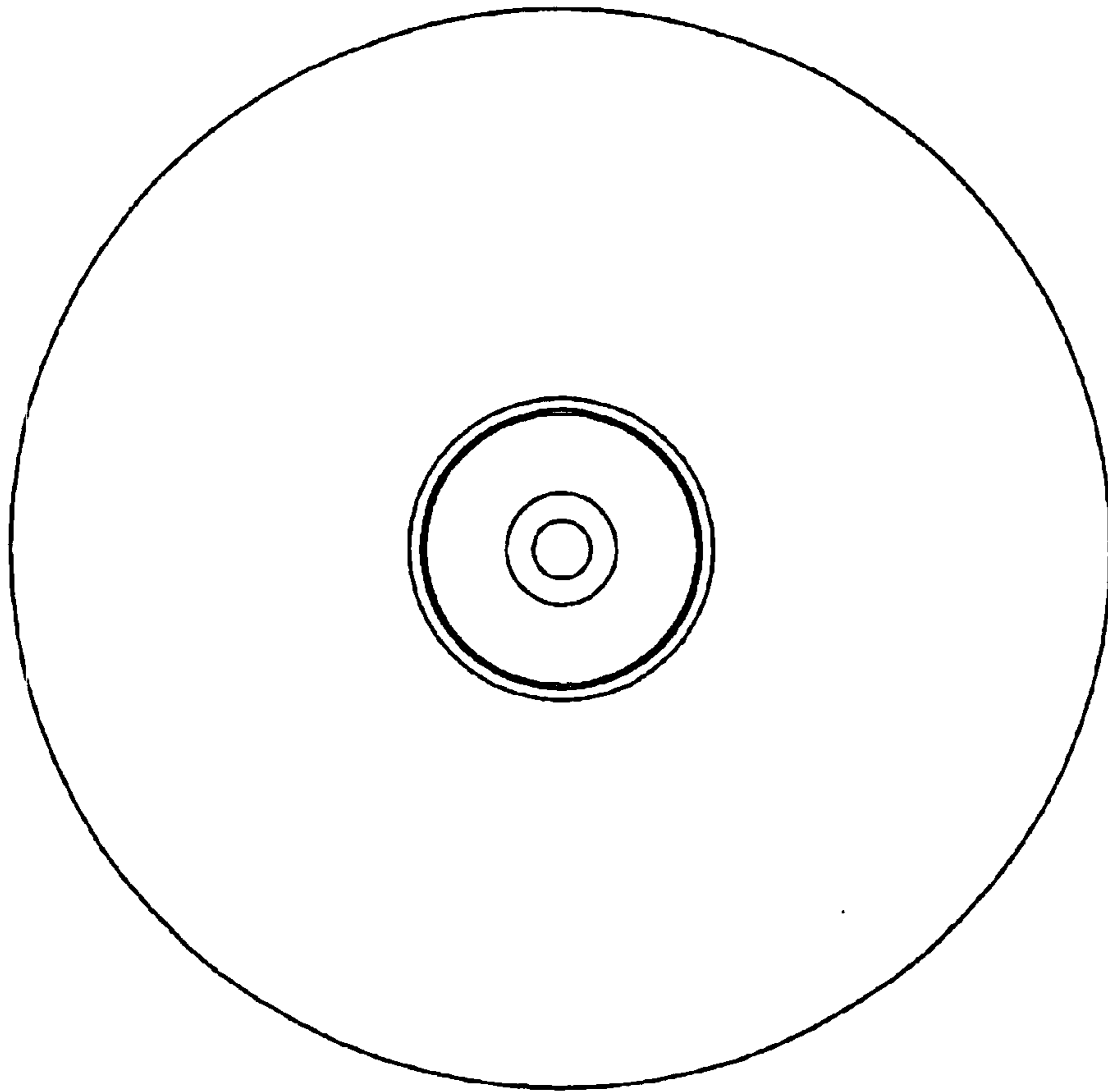


Fig.30





**Fig.31**



**Fig.32**

