



US00D535771S

(12) **United States Design Patent** (10) **Patent No.:** **US D535,771 S**  
**Shiu** (45) **Date of Patent:** **\*\* Jan. 23, 2007**

(54) **LANTERN**

(75) Inventor: **Stephanie Wai Man Shiu**, Hong Kong (HK)

(73) Assignee: **Gold Coral International Limited**, Hong Kong (HK)

(\*\*) Term: **14 Years**

(21) Appl. No.: **29/240,191**

(22) Filed: **Oct. 11, 2005**

(30) **Foreign Application Priority Data**

Apr. 13, 2004 (HK) ..... 0500757.0M002  
Apr. 13, 2004 (HK) ..... 0500757.0M001

(51) **LOC (8) Cl.** ..... **26-02**

(52) **U.S. Cl.** ..... **D26/40**

(58) **Field of Classification Search** ..... D26/37-50;  
362/157, 158, 171-174, 183-208  
See application file for complete search history.

(56) **References Cited**

**U.S. PATENT DOCUMENTS**

D433,762 S	*	11/2000	Yuen	.....	D26/40
D434,163 S	*	11/2000	Lee	.....	D26/40
D468,039 S	*	12/2002	Poon	.....	D26/40
D474,553 S	*	5/2003	Poon	.....	D26/40
D486,598 S	*	2/2004	Lo	.....	D26/40

\* cited by examiner

*Primary Examiner*—Marcus A. Jackson

(74) *Attorney, Agent, or Firm*—Joseph G. Swan, PC

(57) **CLAIM**

The ornamental design for a lantern, as shown and described.

**DESCRIPTION**

FIG. 1 is a front elevational view of the lantern according to a first embodiment of the invention, the rear elevational view being identical.

FIG. 2 is a bottom plan view of the lantern according to the first embodiment of the invention.

FIG. 3 is a top plan view of the lantern according to the first embodiment of the invention.

FIG. 4 is a left side elevational view of the lantern according to the first embodiment of the invention, the right side elevational view being the mirror image of the left side elevational view.

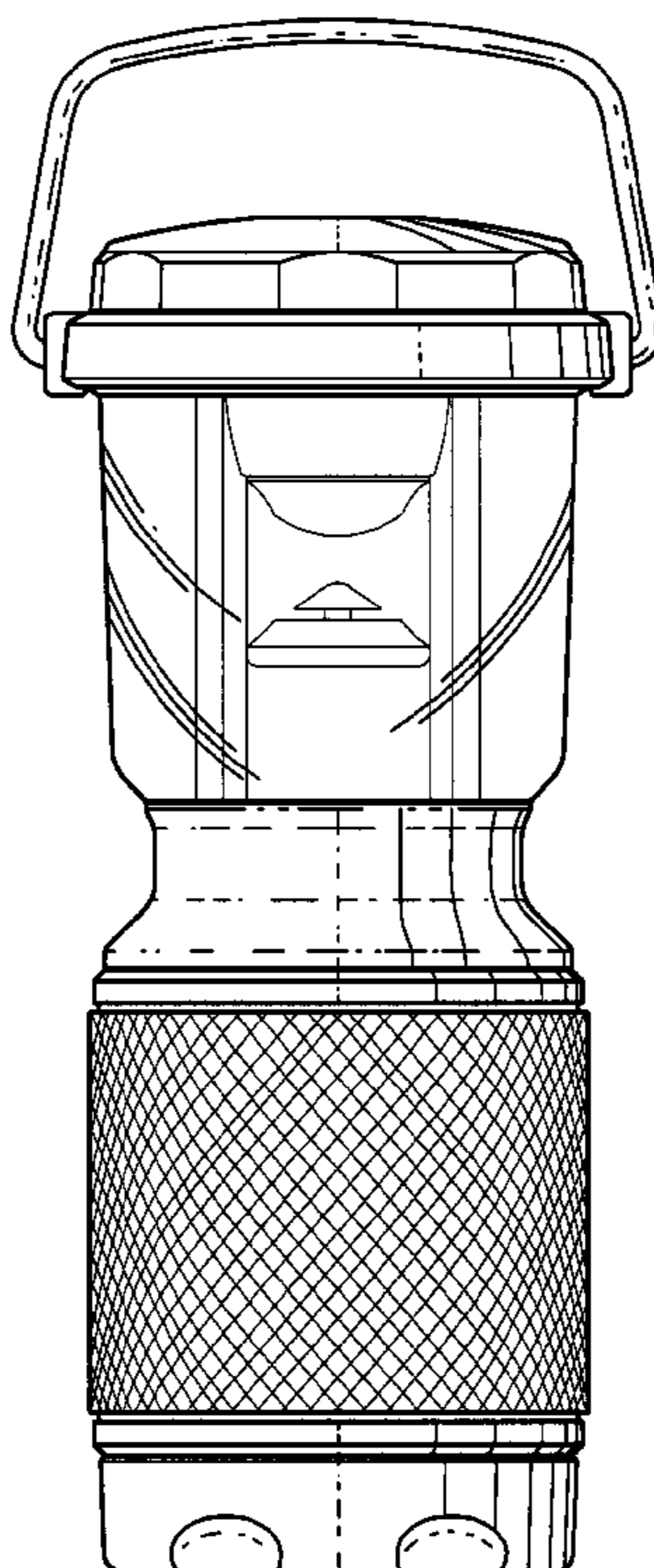
FIG. 5 is a front elevational view of the lantern according to a second embodiment of the invention, the rear elevational view being identical.

FIG. 6 is a bottom plan view of the lantern according to the second embodiment of the invention.

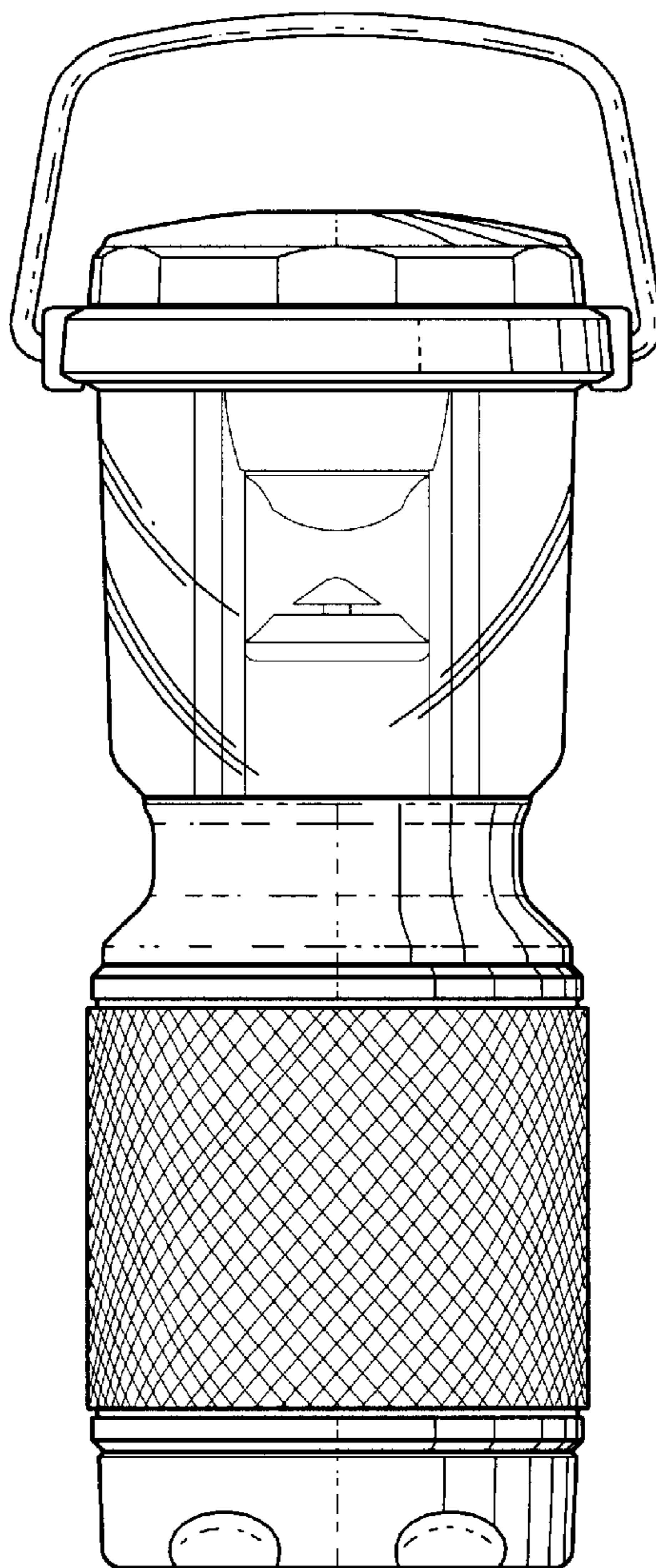
FIG. 7 is a top plan view of the lantern according to the second embodiment of the invention; and,

FIG. 8 is a left side elevational view of the lantern according to the second embodiment of the invention, the right side elevational view being the mirror image of the left side elevational view.

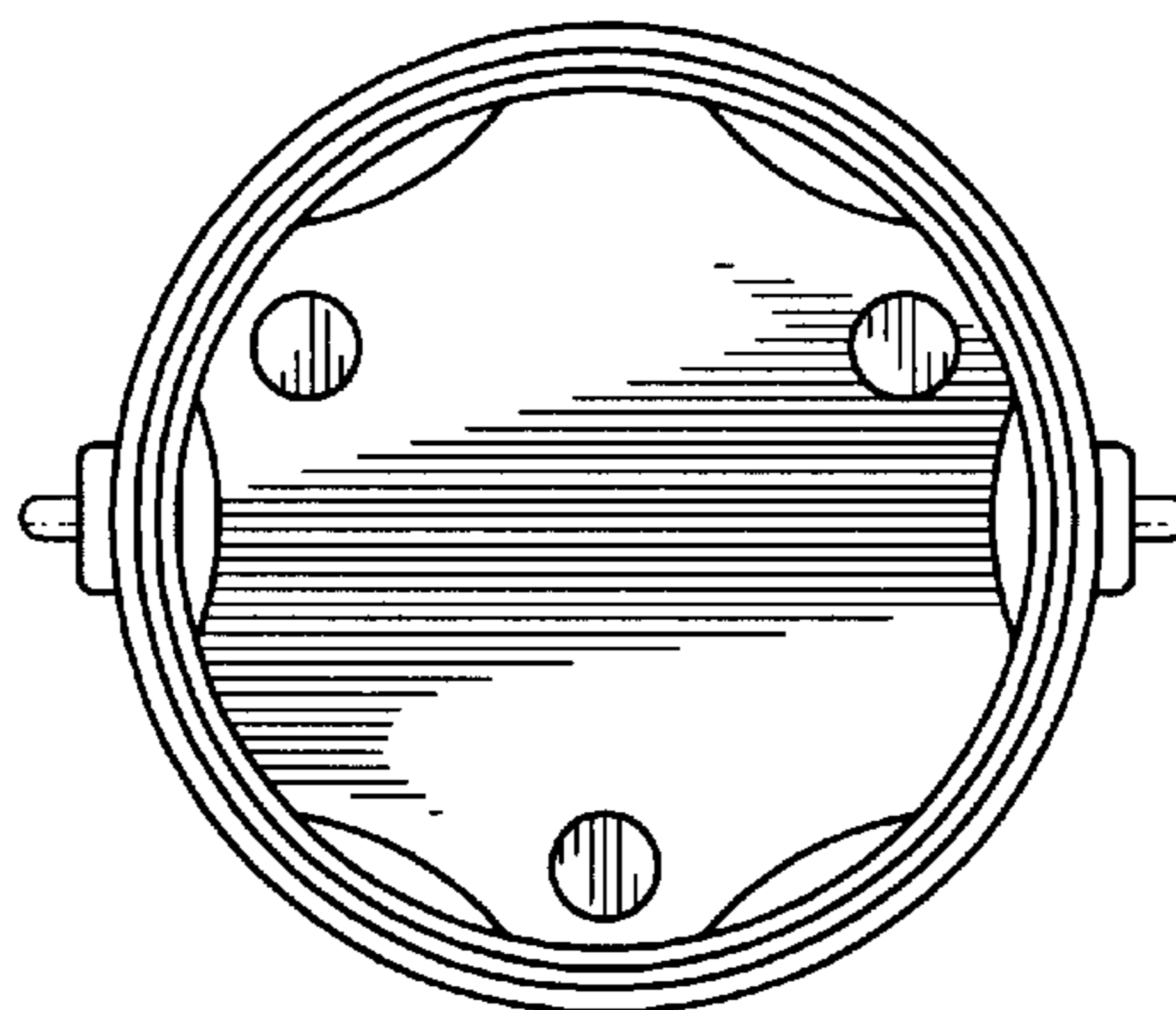
**1 Claim, 4 Drawing Sheets**



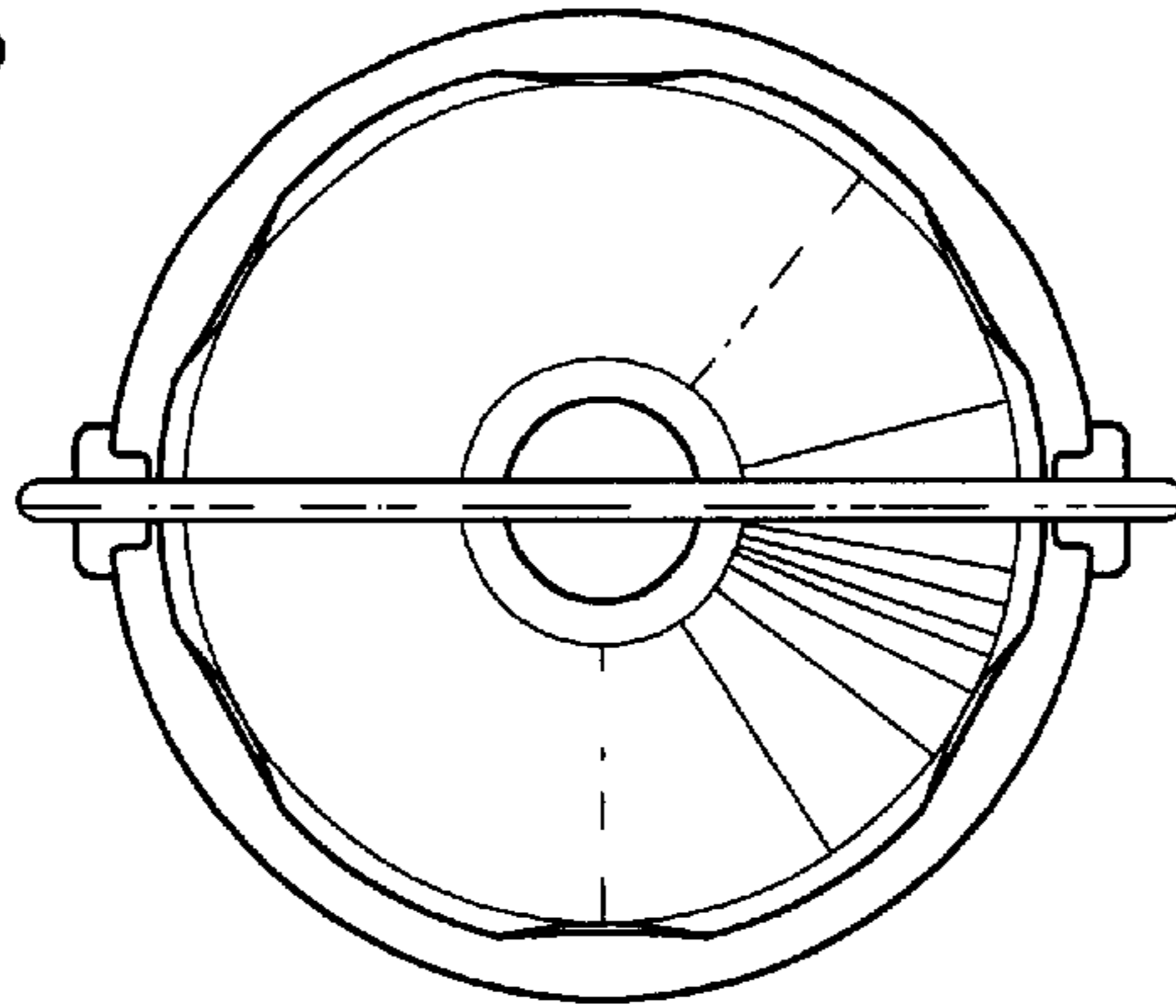
*FIG. 1*



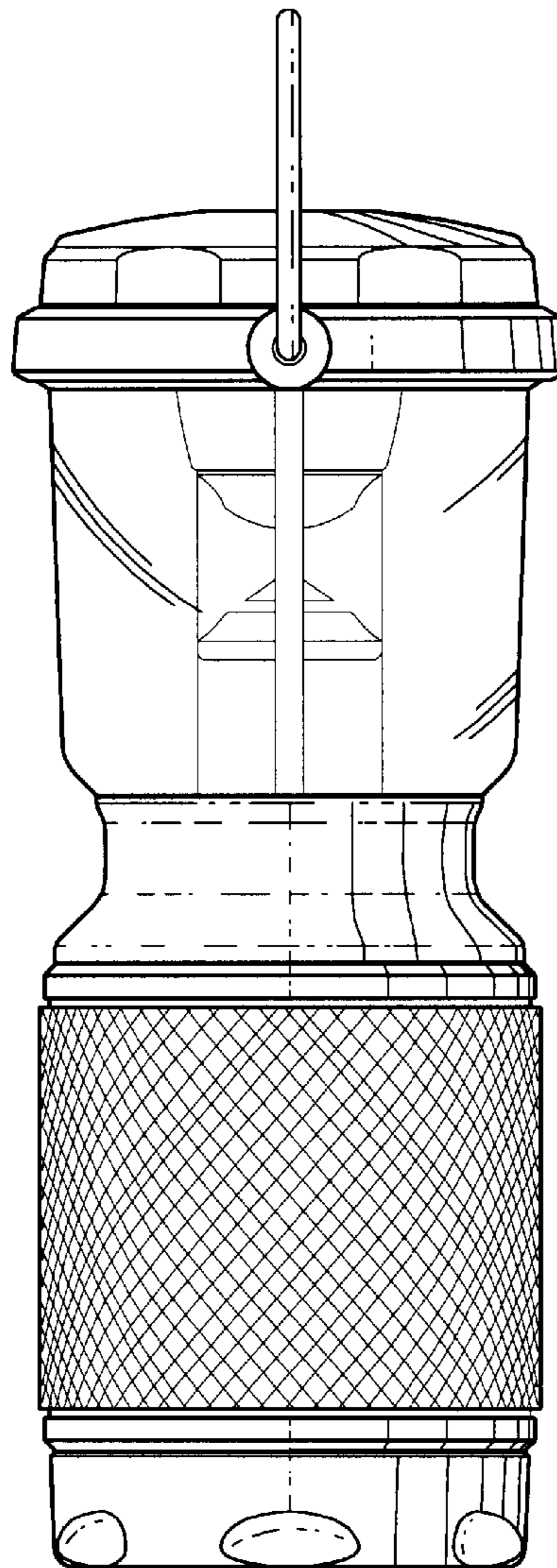
*FIG. 2*



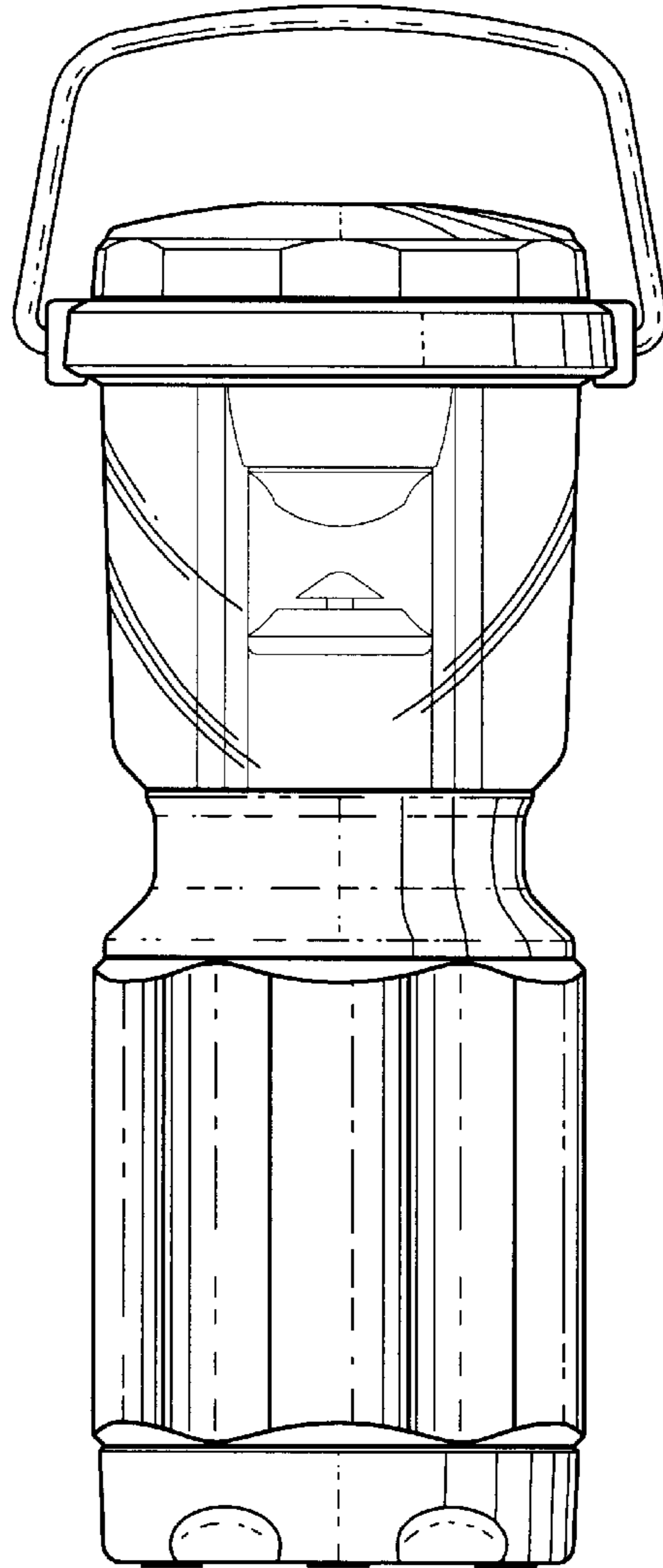
*FIG. 3*



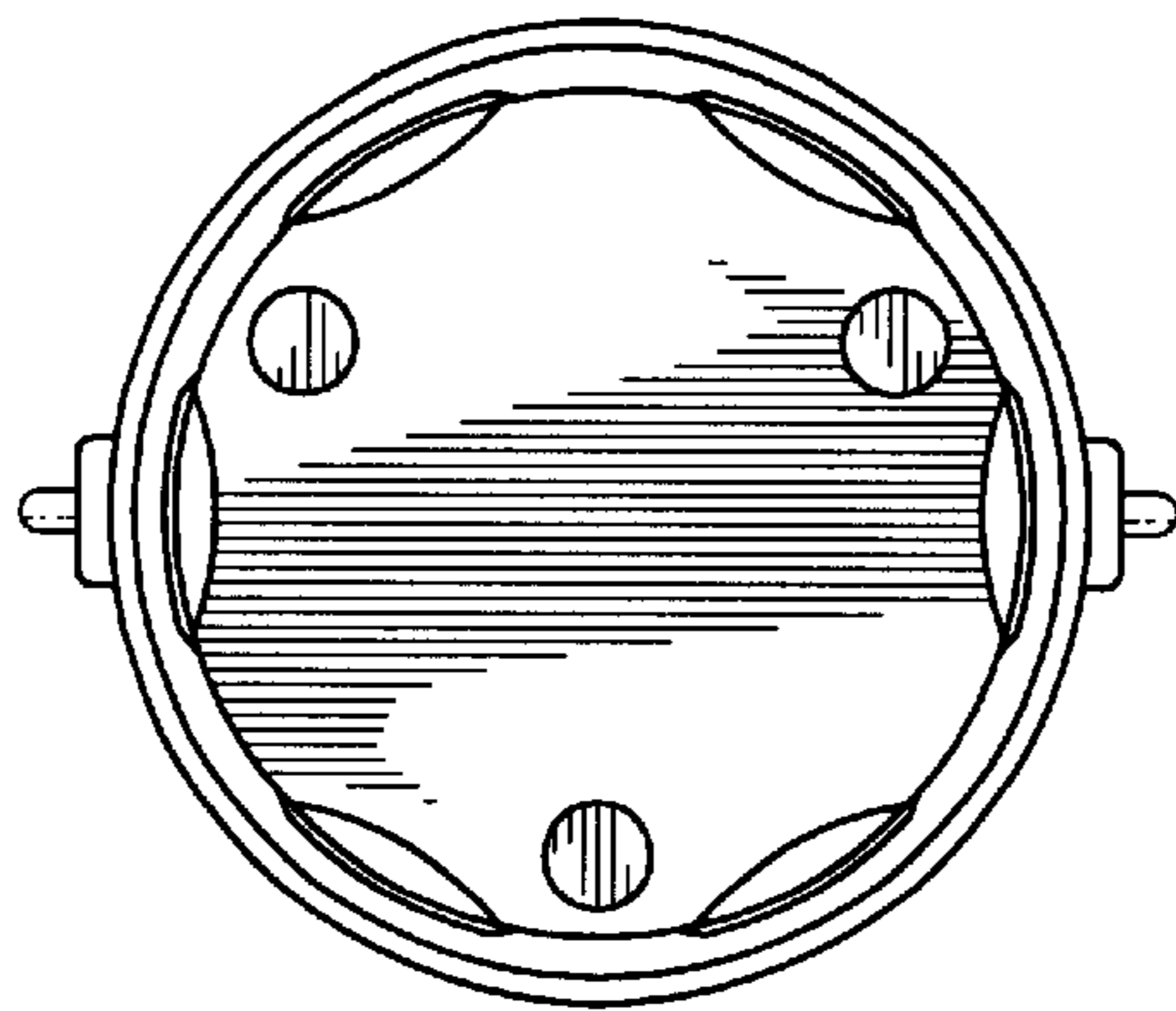
*FIG. 4*



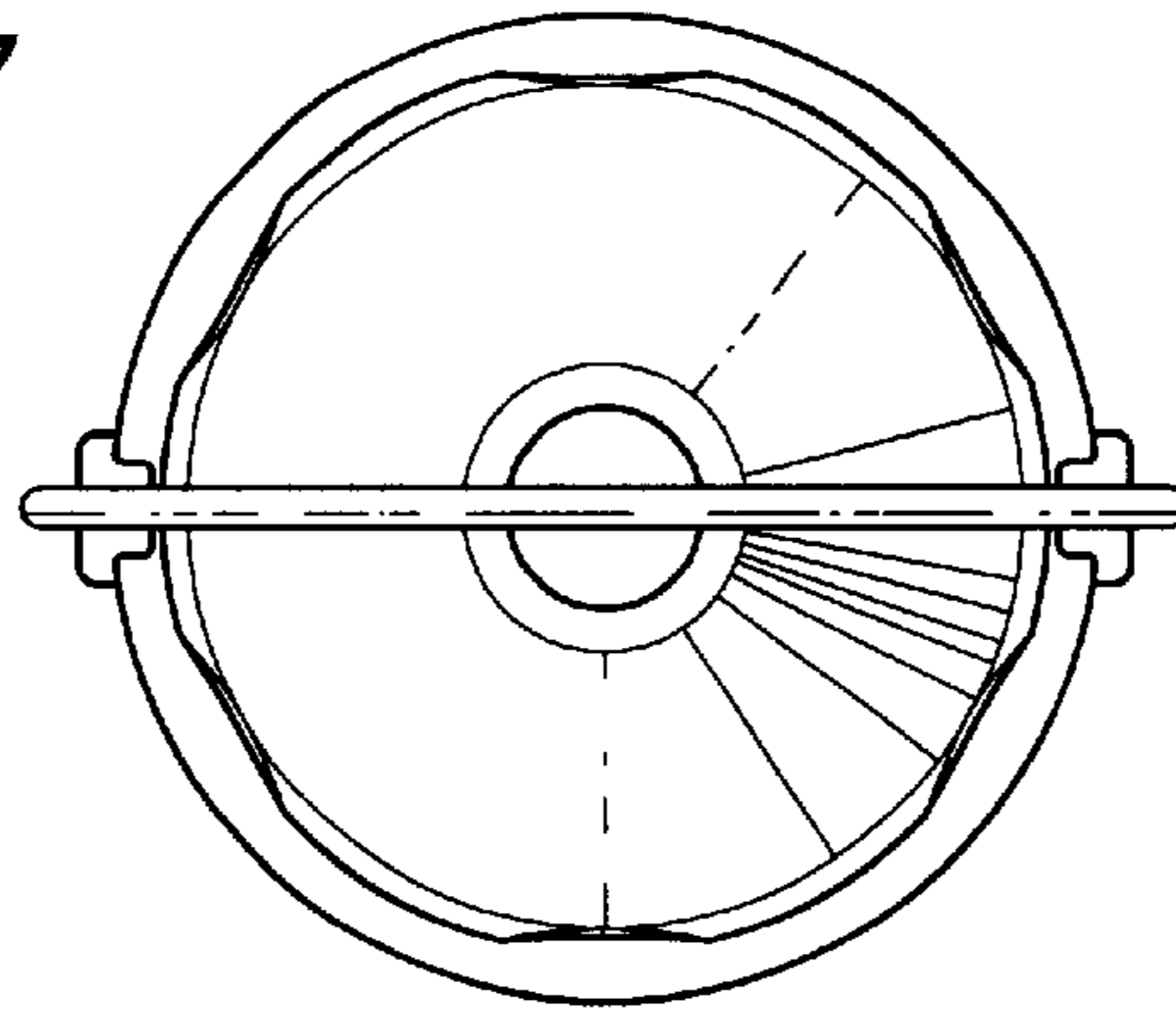
*FIG. 5*



*FIG. 6*



*FIG. 7*



*FIG. 8*

