



US00D535768S

(12) **United States Design Patent**
Mikami et al.

(10) **Patent No.:** **US D535,768 S**
(45) **Date of Patent:** **** Jan. 23, 2007**

(54) **TAIL LAMP FOR A VEHICLE**

FOREIGN PATENT DOCUMENTS

(75) Inventors: **Takao Mikami**, Saitama (JP); **Asao Itaya**, Torrance, CA (US)

JP 2003-3481 11/2003

* cited by examiner

(73) Assignee: **Honda Motor Co., Ltd.**, Tokyo (JP)

Primary Examiner—Marcus A. Jackson

(**) Term: **14 Years**

(74) *Attorney, Agent, or Firm*—Westerman, Hattori, Daniels & Adrian, LLP.

(21) Appl. No.: **29/242,964**

(57) **CLAIM**

(22) Filed: **Nov. 17, 2005**

The ornamental design for, a tail lamp for a vehicle, as shown and described.

(51) **LOC (8) Cl.** **26-06**

(52) **U.S. Cl.** **D26/28**

(58) **Field of Classification Search** D26/28-36;
362/459-468, 475-478, 485-487

See application file for complete search history.

DESCRIPTION

FIG. 1 is a front elevation view of a tail lamp for a vehicle, showing our new design;

FIG. 2 is a rear elevation view thereof;

FIG. 3 is a top plan view thereof;

FIG. 4 is a bottom plan view thereof;

FIG. 5 is a right side elevation view thereof;

FIG. 6 is a left side elevation view;

FIG. 7 is a perspective view thereof; and,

FIG. 8 is an another perspective view thereof.

(56) **References Cited**

U.S. PATENT DOCUMENTS

D471,999 S	*	3/2003	Yoshida et al.	D26/28
D477,678 S	*	7/2003	Lin	D26/28
D485,923 S	*	1/2004	Kuo	D26/28
D493,903 S	*	8/2004	Otsubo et al.	D26/28
D518,203 S	*	3/2006	Phillips et al.	D26/28

1 Claim, 8 Drawing Sheets

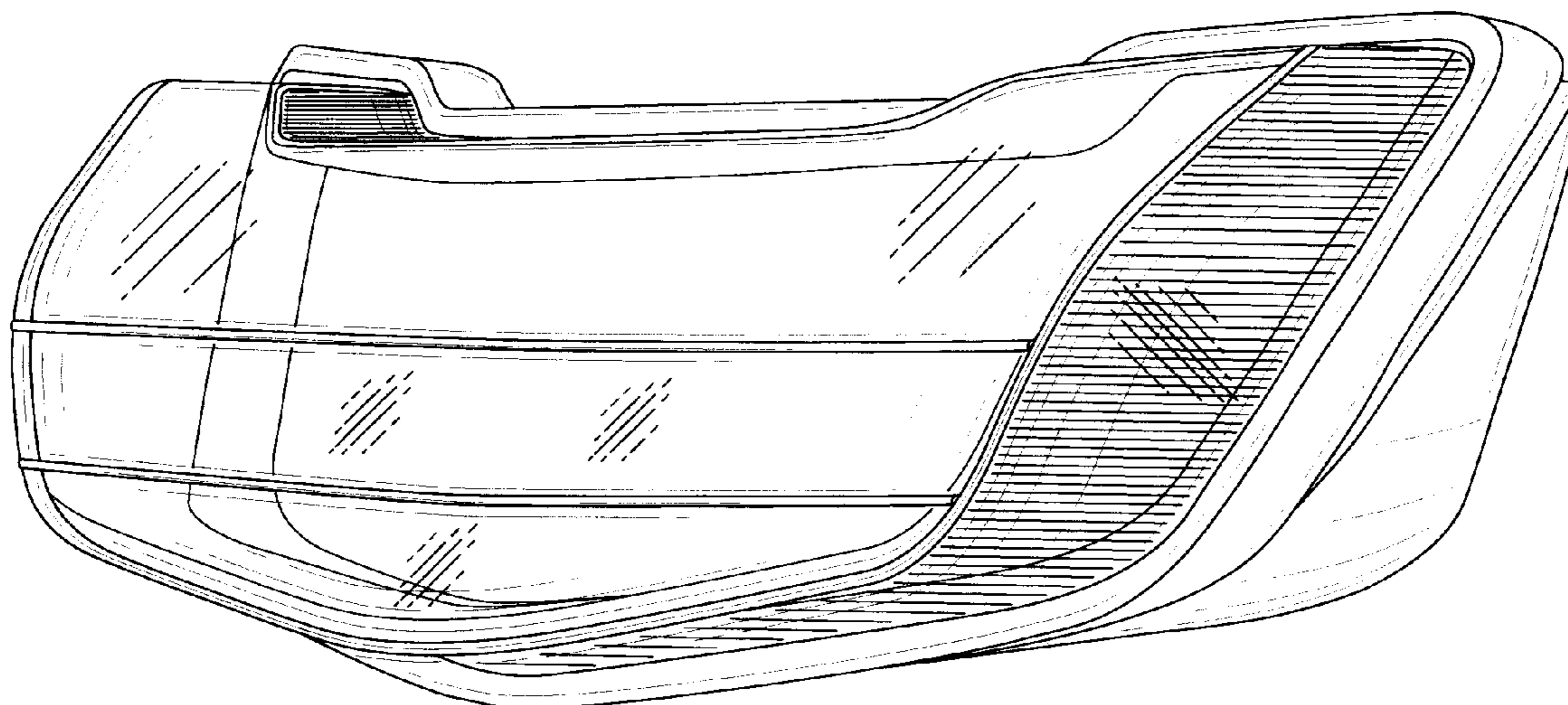


Fig.1

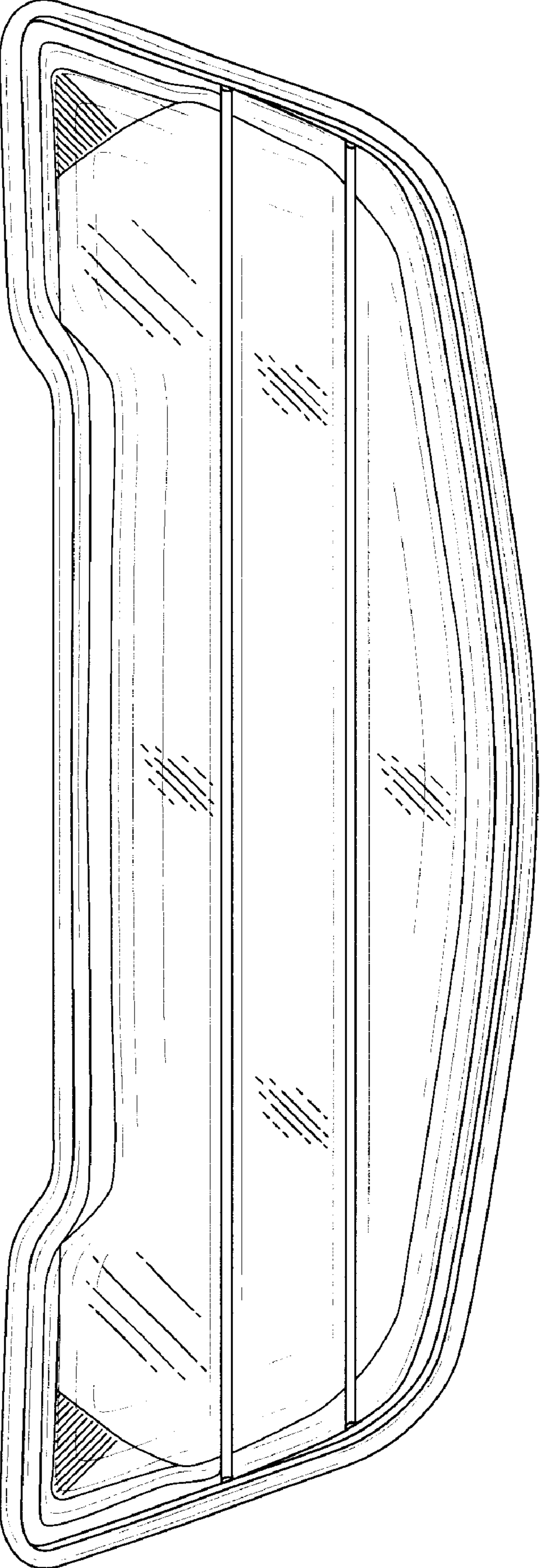


Fig.2

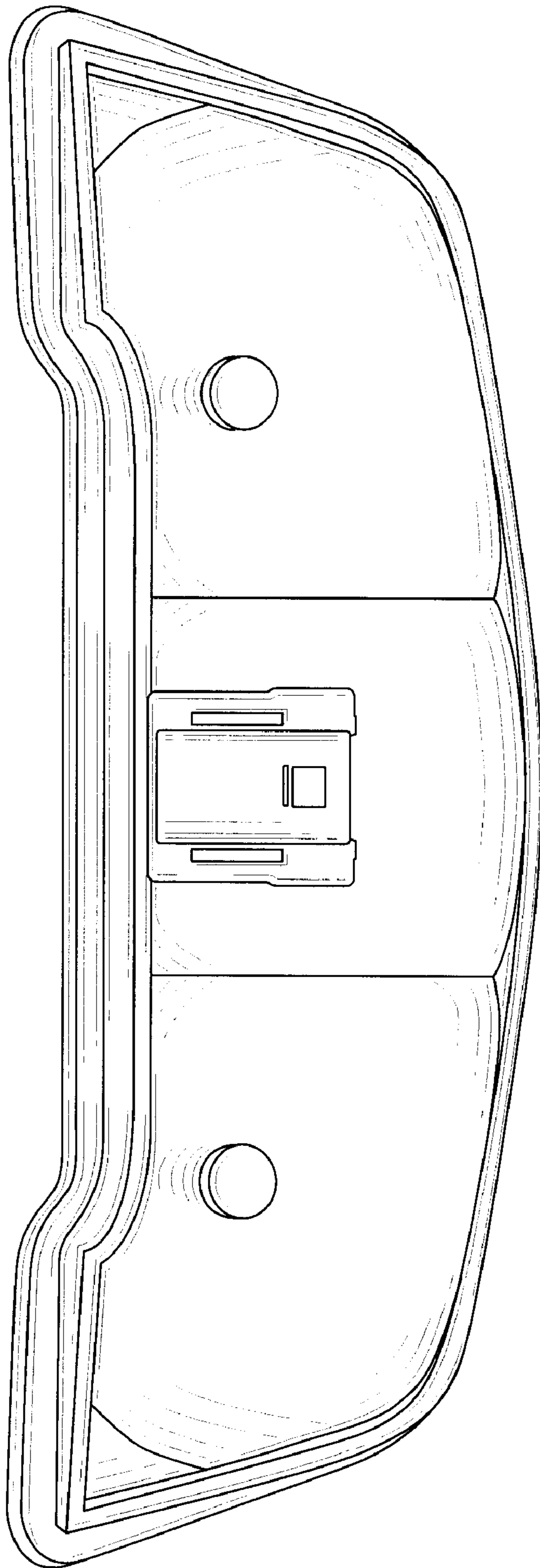


Fig.3

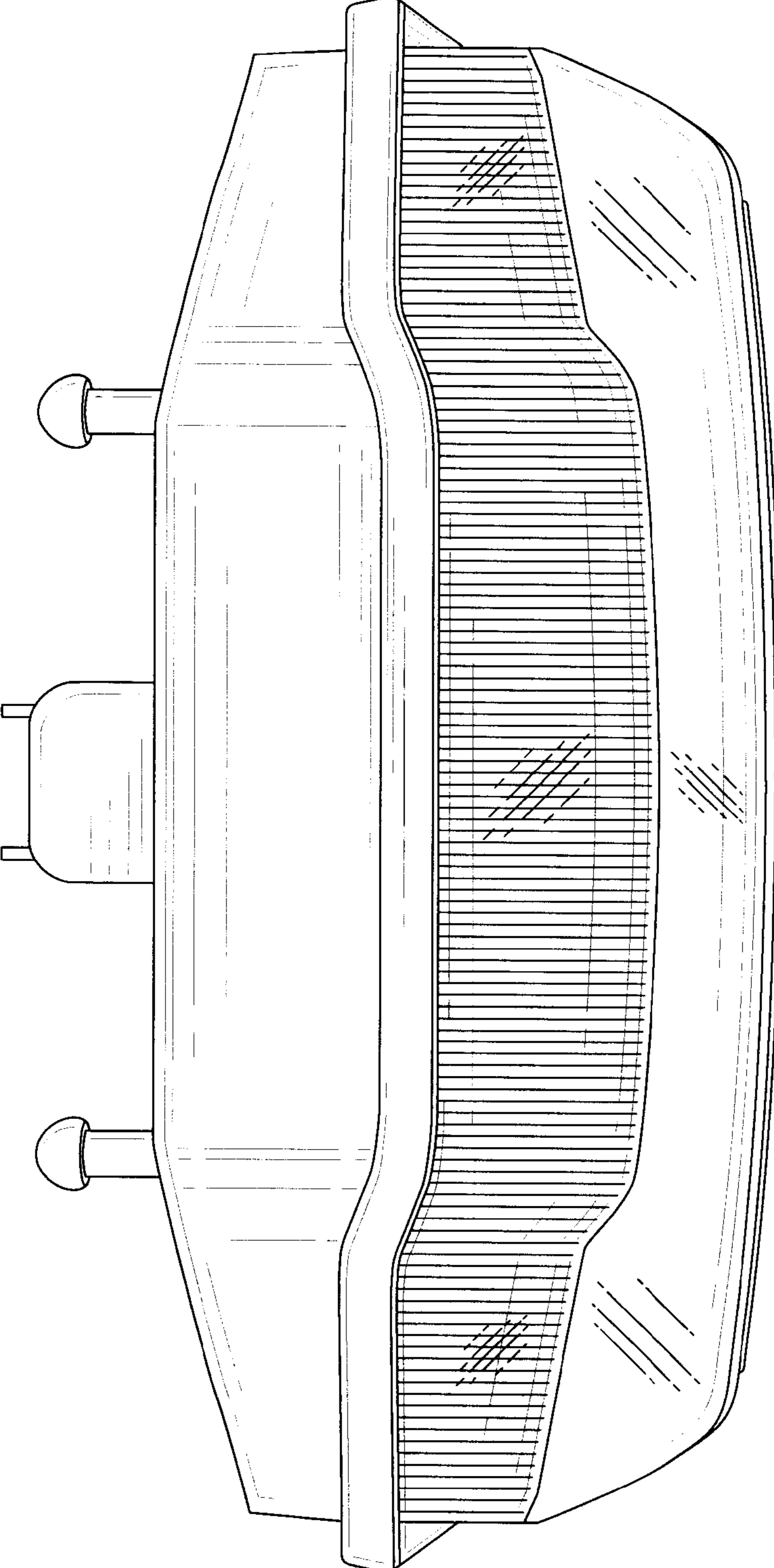


Fig.4

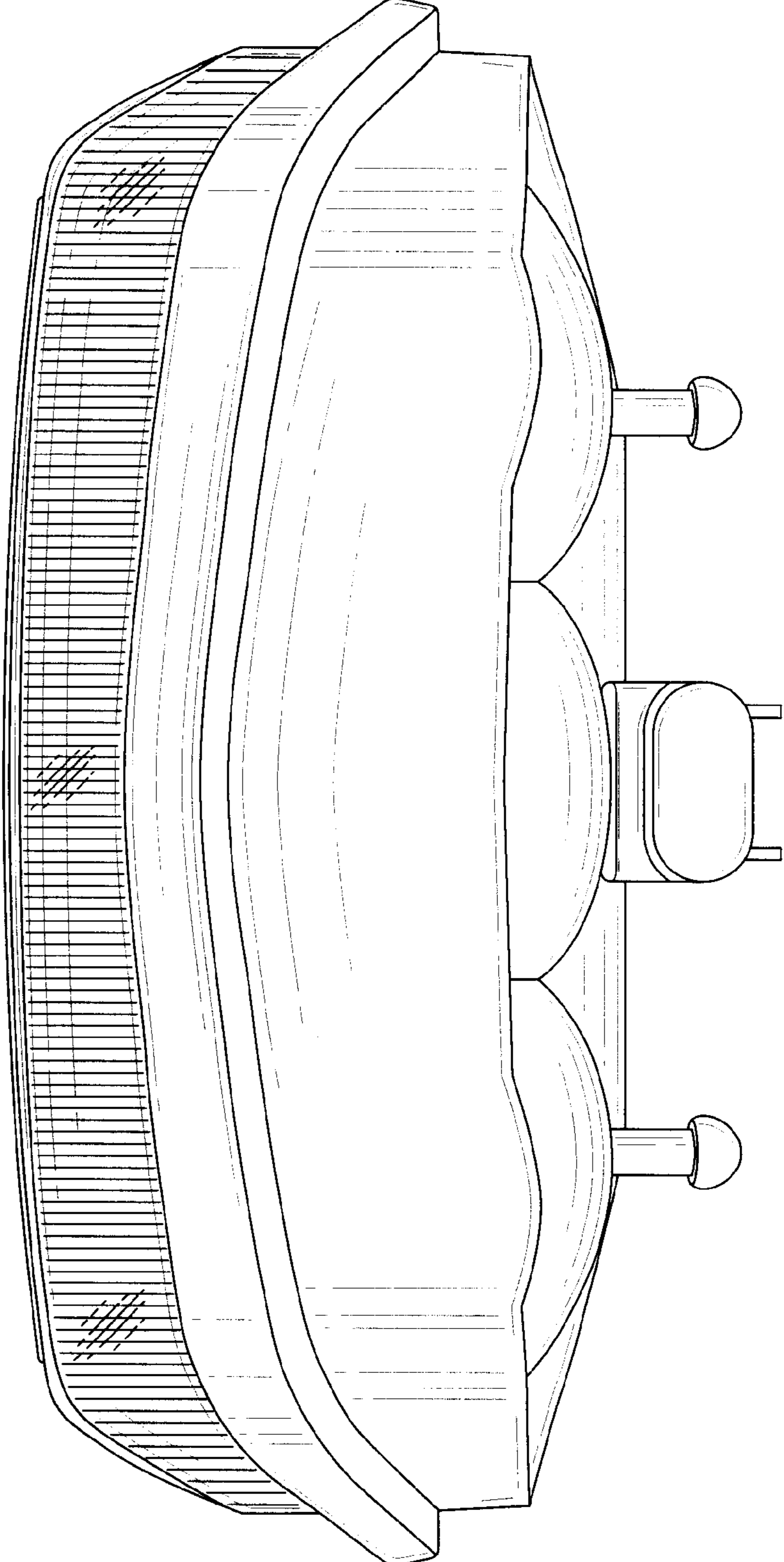


Fig.5

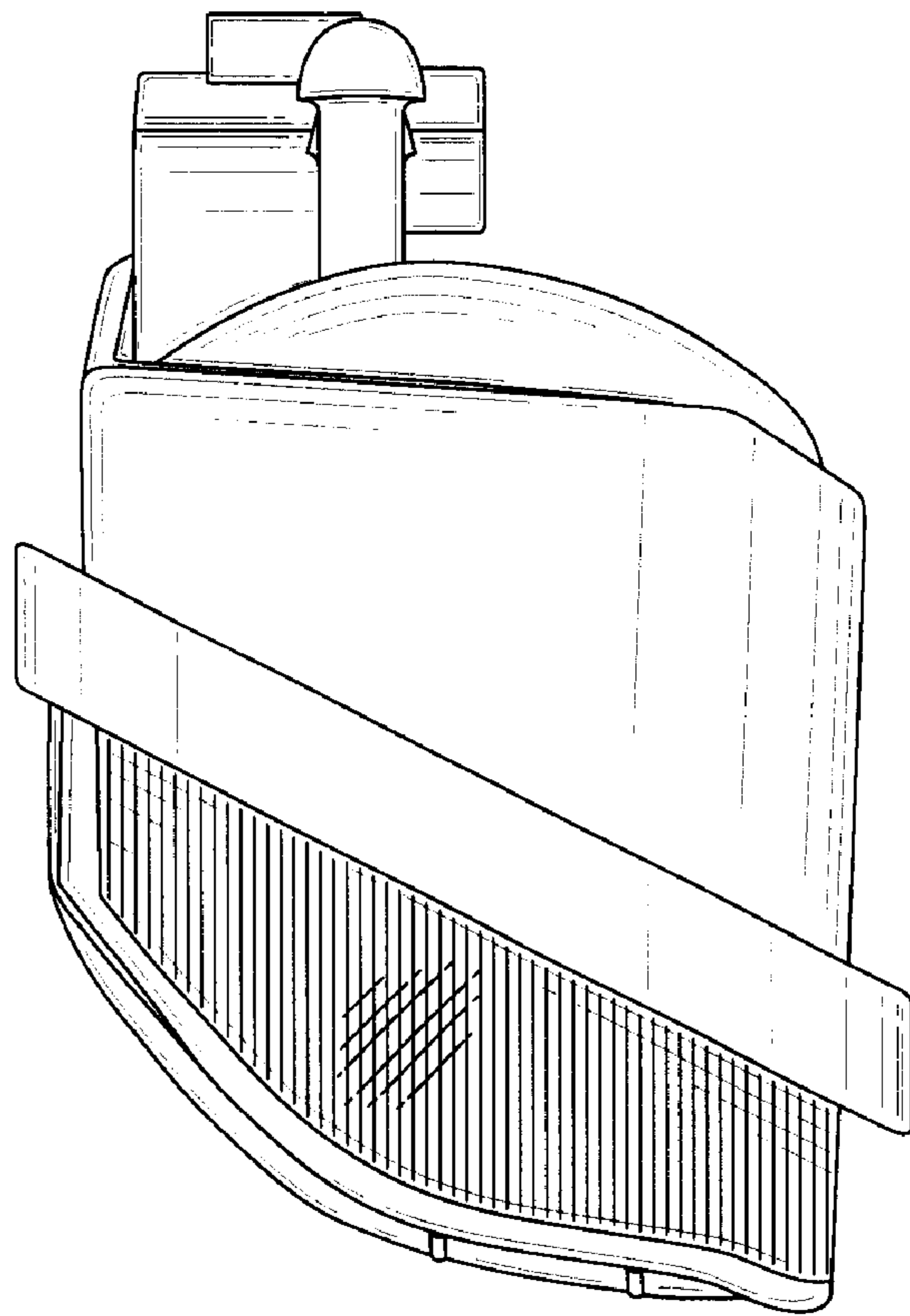


Fig.6

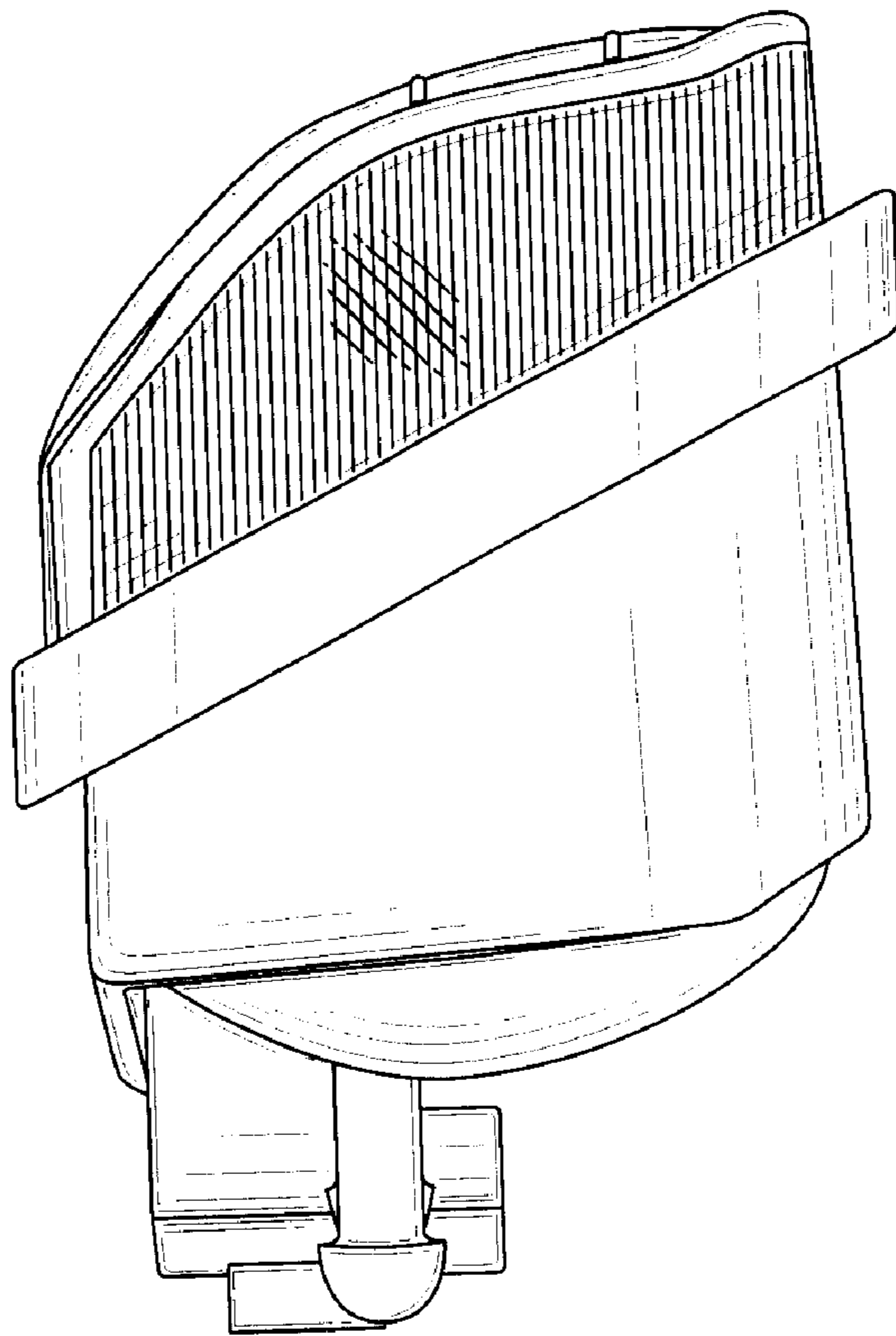


Fig.7

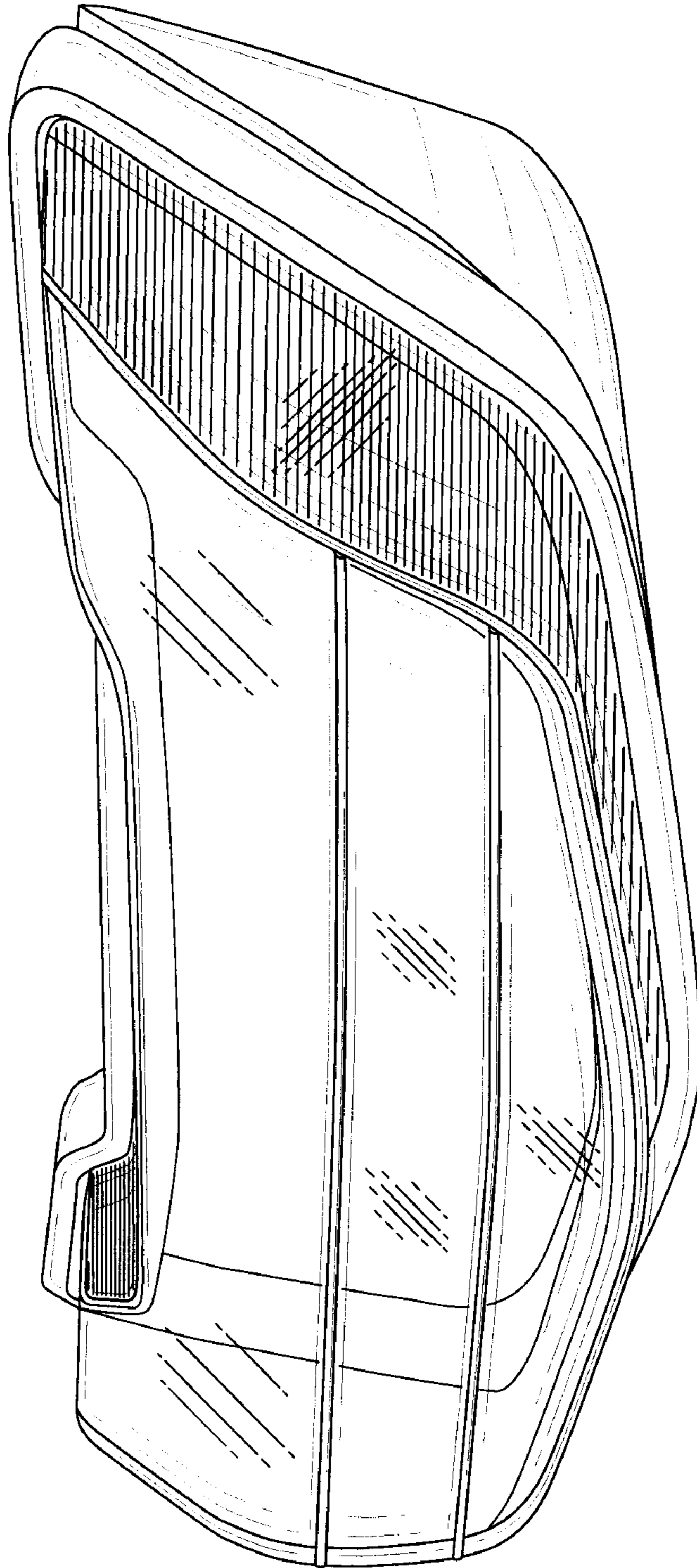


Fig.8

