



US00D535764S

(12) **United States Design Patent**
Yamaguchi

(10) **Patent No.:** **US D535,764 S**

(45) **Date of Patent:** **** Jan. 23, 2007**

(54) **FRONT COMBINATION LAMP**

(75) Inventor: **Junichi Yamaguchi**, Wako (JP)

(73) Assignee: **Honda Motor Co., Ltd.**, Tokyo (JP)

(**) Term: **14 Years**

(21) Appl. No.: **29/240,636**

(22) Filed: **Oct. 17, 2005**

(30) **Foreign Application Priority Data**

Apr. 18, 2005 (JP) 2005-011413

(51) **LOC (8) Cl.** **26-06**

(52) **U.S. Cl.** **D26/28**

(58) **Field of Classification Search** D26/28-36;
362/459-468, 475-478, 485-487
See application file for complete search history.

(56) **References Cited**

U.S. PATENT DOCUMENTS

- D524,466 S * 7/2006 Essig D26/28
- D525,377 S * 7/2006 Akamine et al. D26/28
- D525,731 S * 7/2006 Hovind et al. D26/28

D526,428 S * 8/2006 Yagihashi D26/28

* cited by examiner

Primary Examiner—Marcus A. Jackson

(74) *Attorney, Agent, or Firm*—Arent Fox PLLC

(57) **CLAIM**

The ornamental design for a front combination lamp, as shown and described.

DESCRIPTION

FIG. 1 is a front view of a front combination lamp showing my new design.

FIG. 2 is a rear view thereof.

FIG. 3 is a plan view thereof.

FIG. 4 is a bottom view thereof.

FIG. 5 is a right side view thereof.

FIG. 6 is a left side view thereof.

FIG. 7 is a perspective view thereof as seen from the left front side; and,

FIG. 8 is a perspective view thereof as seen from the left rear side.

The broken line showing of the rear of the front combination lamp is for illustrative purposes only and forms no part of the claimed design.

1 Claim, 5 Drawing Sheets

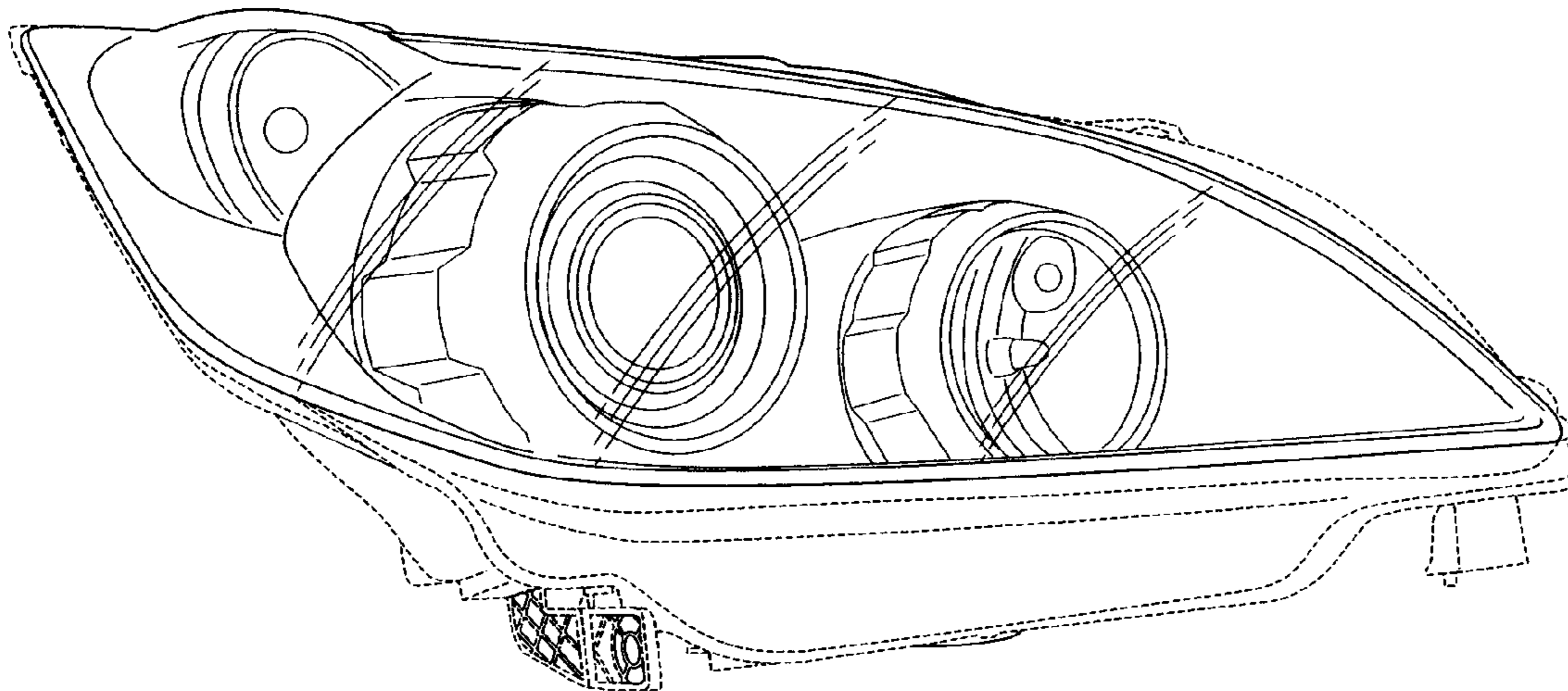


FIG.1

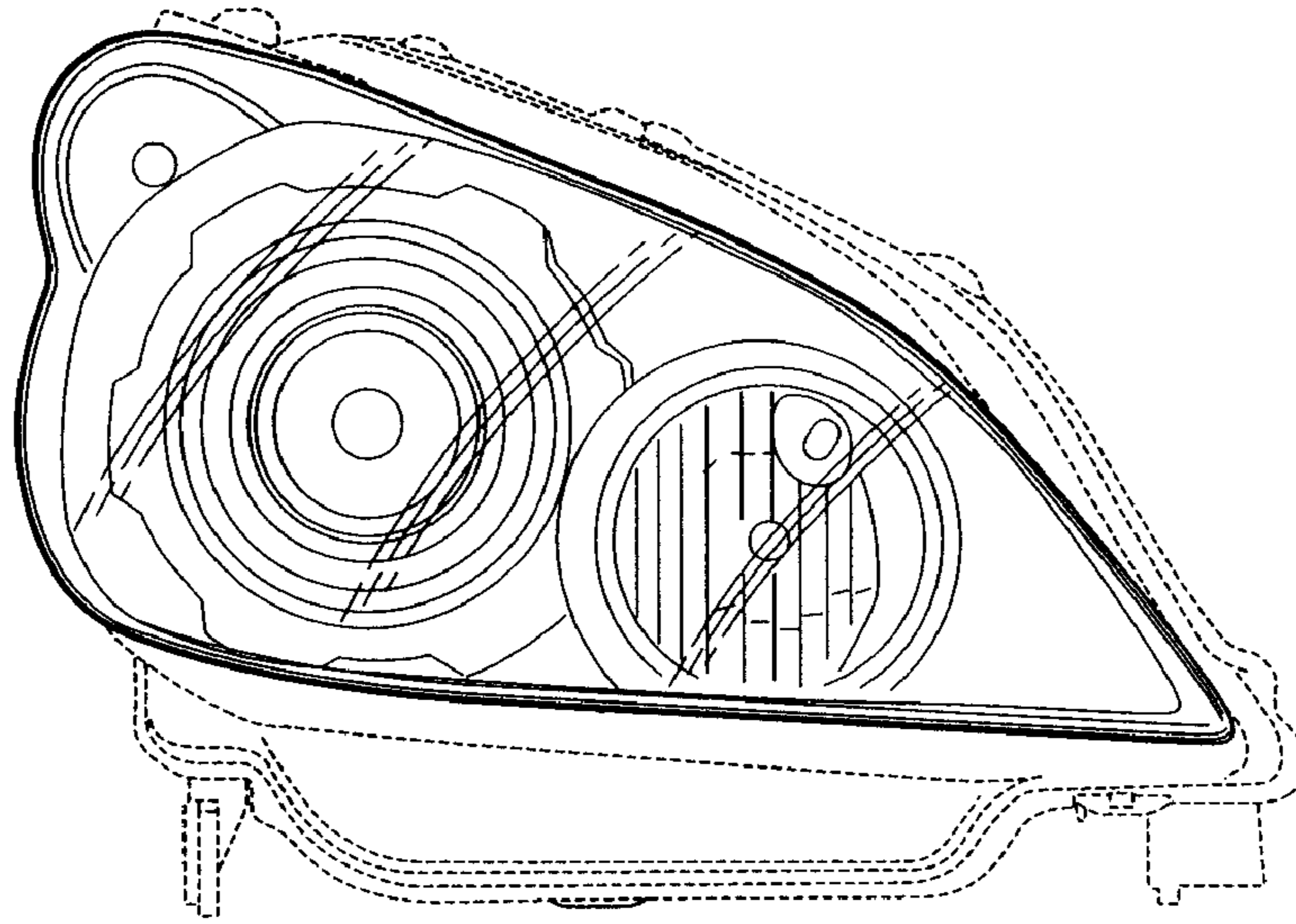


FIG.2

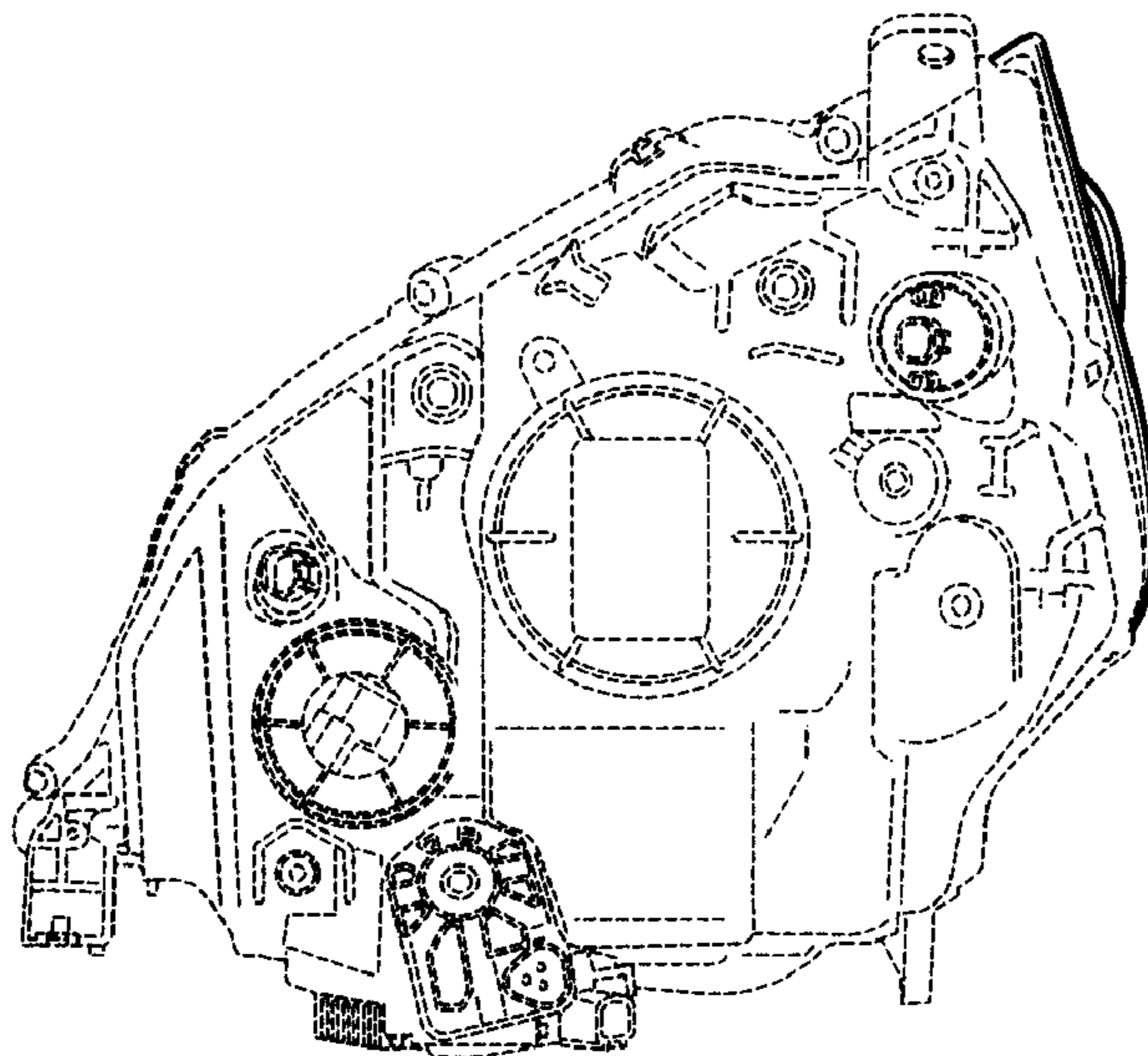


FIG.3

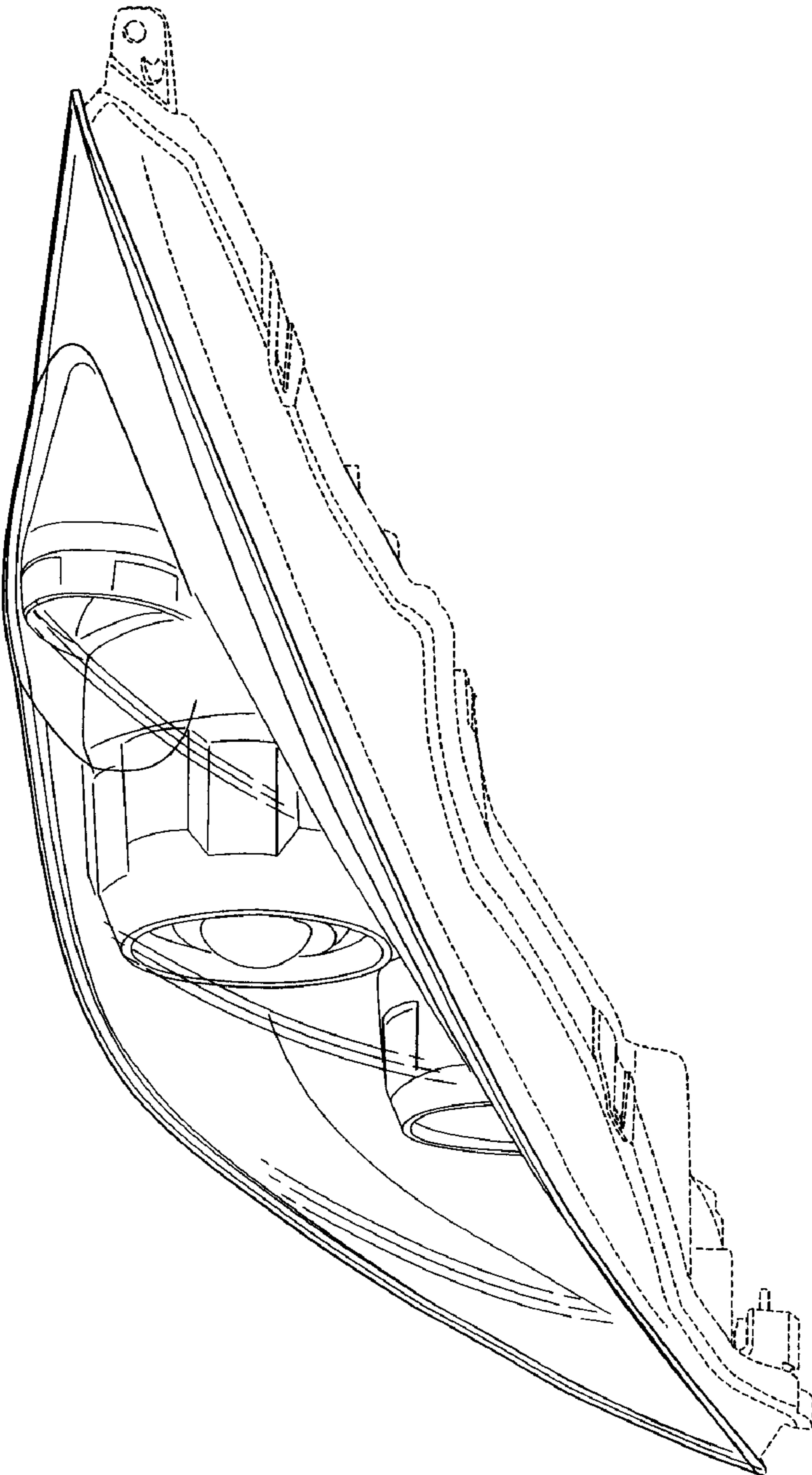


FIG.4

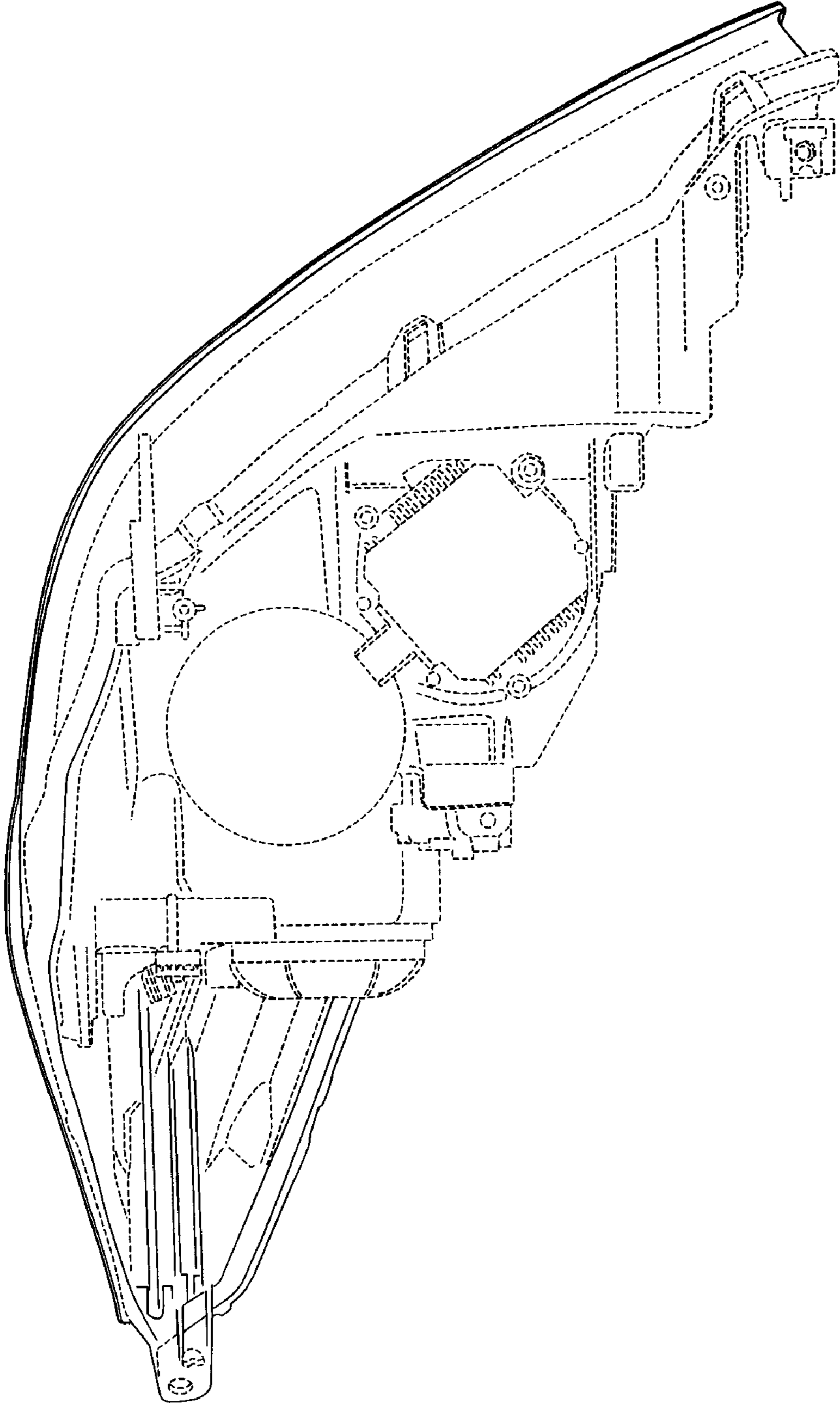


FIG.5

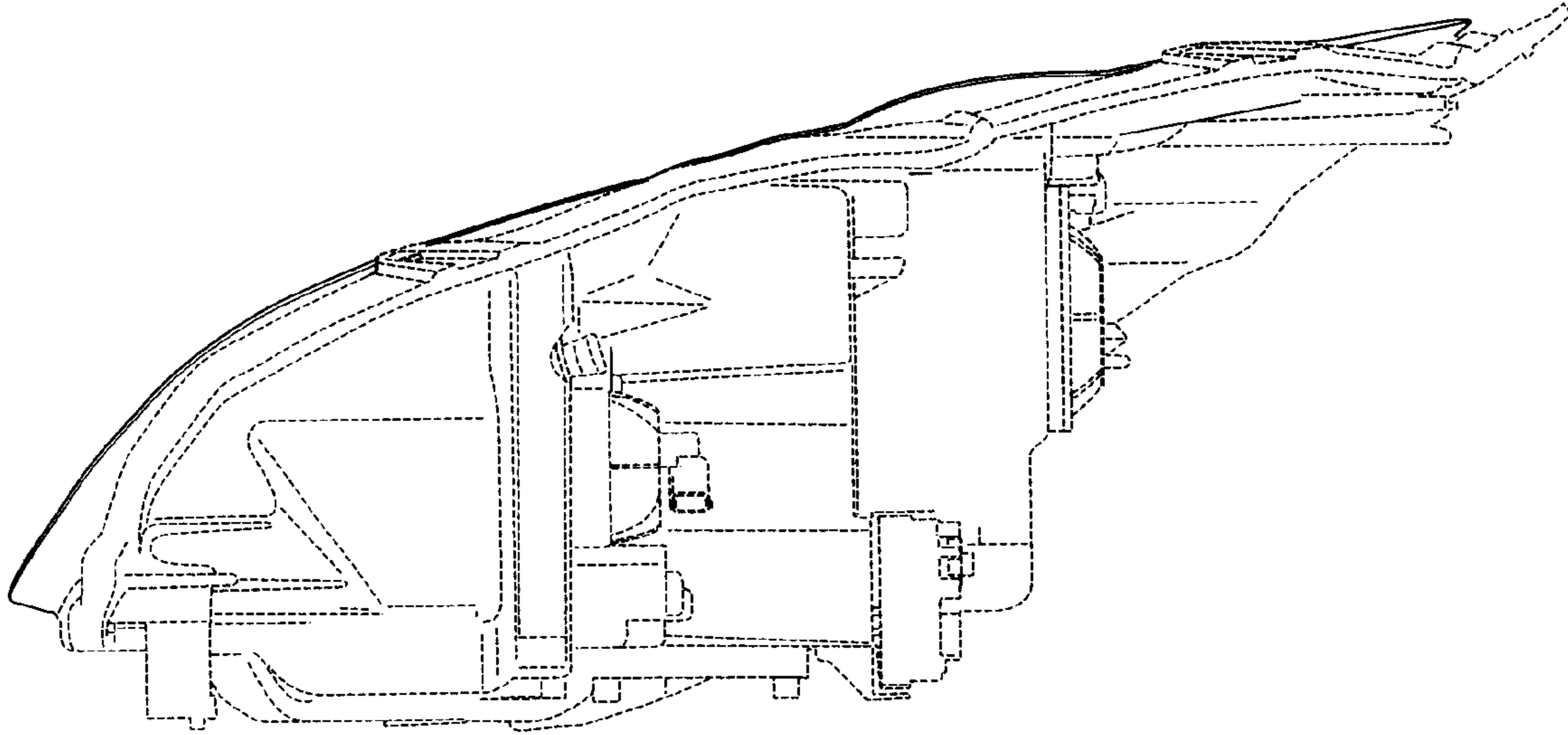


FIG.6

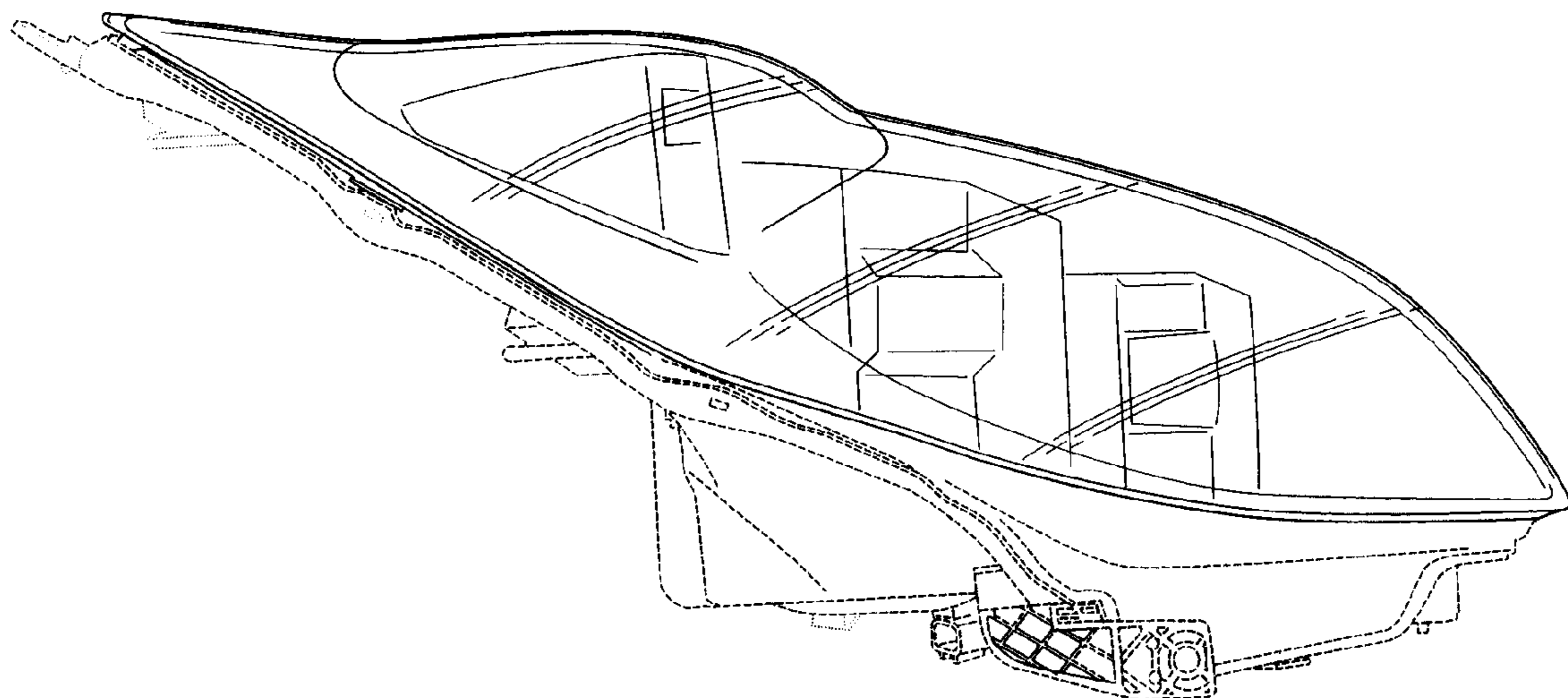


FIG.7

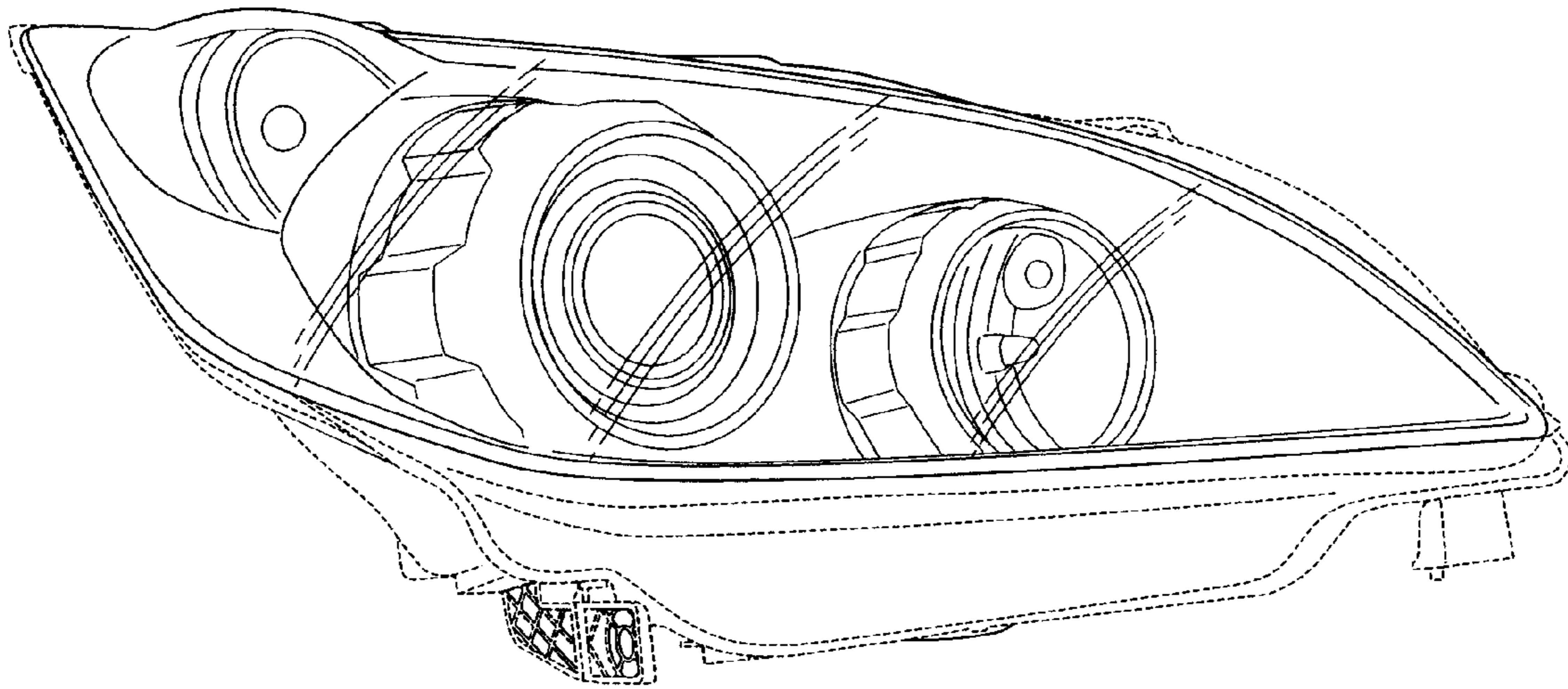


FIG.8

