



US00D535760S

(12) **United States Design Patent**  
**Mitrovich**

(10) **Patent No.:** **US D535,760 S**  
(45) **Date of Patent:** **\*\* Jan. 23, 2007**

- (54) **FENCE RAIL**
- (75) Inventor: **Steve Mitrovich**, Mentor, OH (US)
- (73) Assignee: **Ametco Manufacturing Corp.**,  
Willoughby, OH (US)
- (\*\*) Term: **14 Years**
- (21) Appl. No.: **29/239,296**
- (22) Filed: **Sep. 28, 2005**
- (51) **LOC (8) Cl.** ..... **25-01**
- (52) **U.S. Cl.** ..... **D25/121**
- (58) **Field of Classification Search** ..... 256/2,  
256/7, 19, 22, 33, 59, 65.01, 65.02; 52/300;  
D25/38, 126, 39, 42, 44, 45, 46, 135, 121  
See application file for complete search history.

- D465,286 S 11/2002 Gregori
- D471,284 S 3/2003 Heath
- D472,326 S 3/2003 Hughes et al.
- D472,327 S 3/2003 Heath
- D479,612 S 9/2003 Larsen et al.
- D497,432 S 10/2004 Ohanesian

\* cited by examiner

*Primary Examiner*—Doris Clark  
(74) *Attorney, Agent, or Firm*—Fay Sharpe Fagan Minnich  
& McKee; Karl W. Hauber

(57) **CLAIM**

I claim, the ornamental design for a fence rail, as shown and described.

**DESCRIPTION**

FIG. 1 is a perspective view of the design of the fence rail; FIG. 2 is a right side view of the fence rail, with the fence rail being broken to indicate an indefinite length, the left side view of the fence rail being a mirror image of the right side view;

FIG. 3 is a front view of the fence rail, which is a mirror image of the rear view; and,

FIG. 4 is a top plan view of the fence rail, with the fence rail being broken to indicate an indefinite length, the bottom plan view of the fence rail being a mirror image of the top plan view.

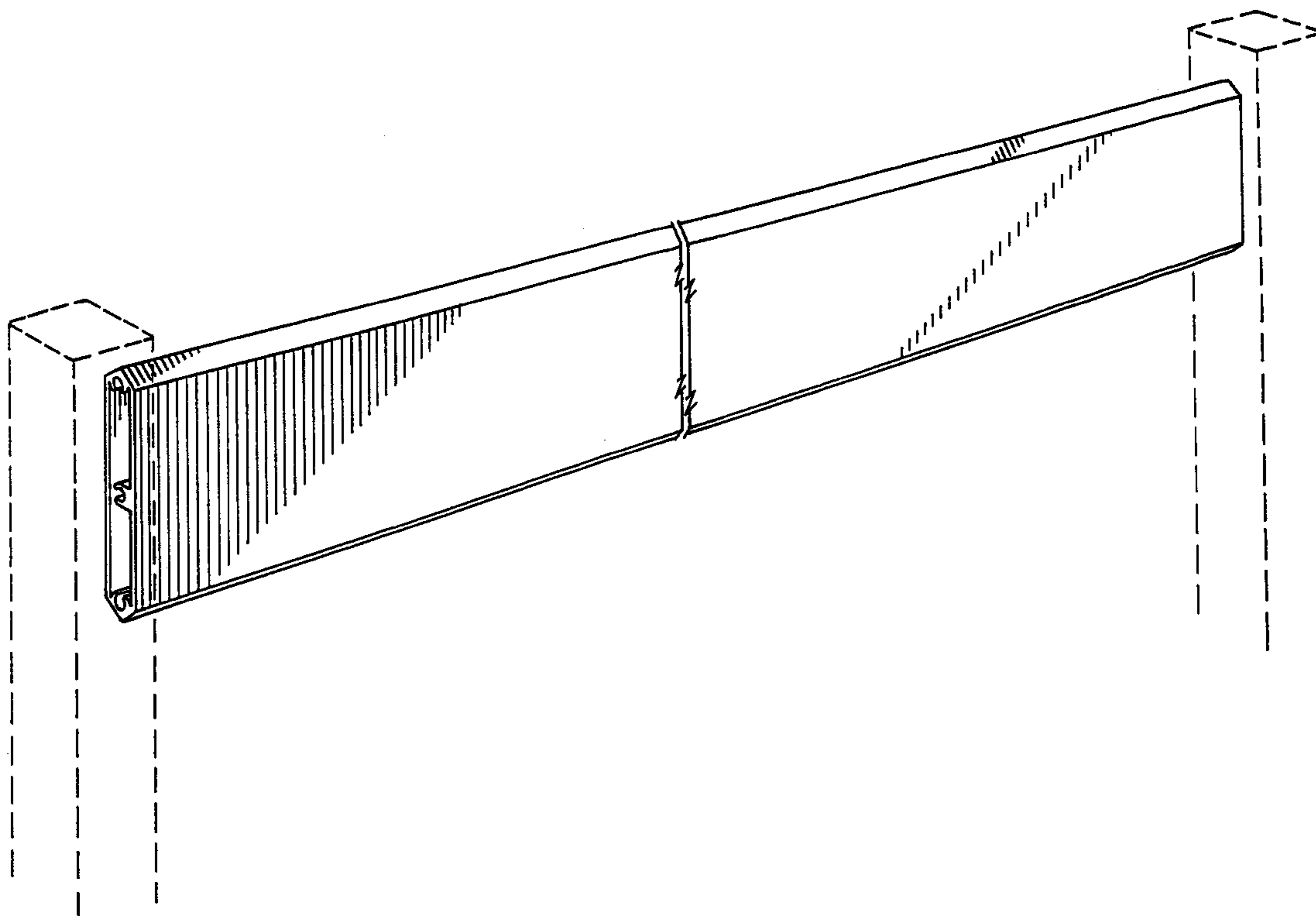
The broken lines are for illustrative purposes only and form no part of the claimed design.

(56) **References Cited**

U.S. PATENT DOCUMENTS

2,877,989	A	*	3/1959	Brodersen	.....	256/19
3,136,530	A		6/1964	Case		
4,007,919	A		2/1977	Totten		
4,174,096	A		11/1979	Campbell		
D269,637	S	*	7/1983	Challis	.....	D25/121
4,498,660	A		2/1985	Brema et al.		
4,600,179	A	*	7/1986	Willetts	.....	256/22
D303,716	S		9/1989	Waller		
5,161,783	A		11/1992	German		
D413,393	S	*	8/1999	Damratoski	.....	D25/38
D446,315	S		8/2001	Forbis		

**1 Claim, 2 Drawing Sheets**



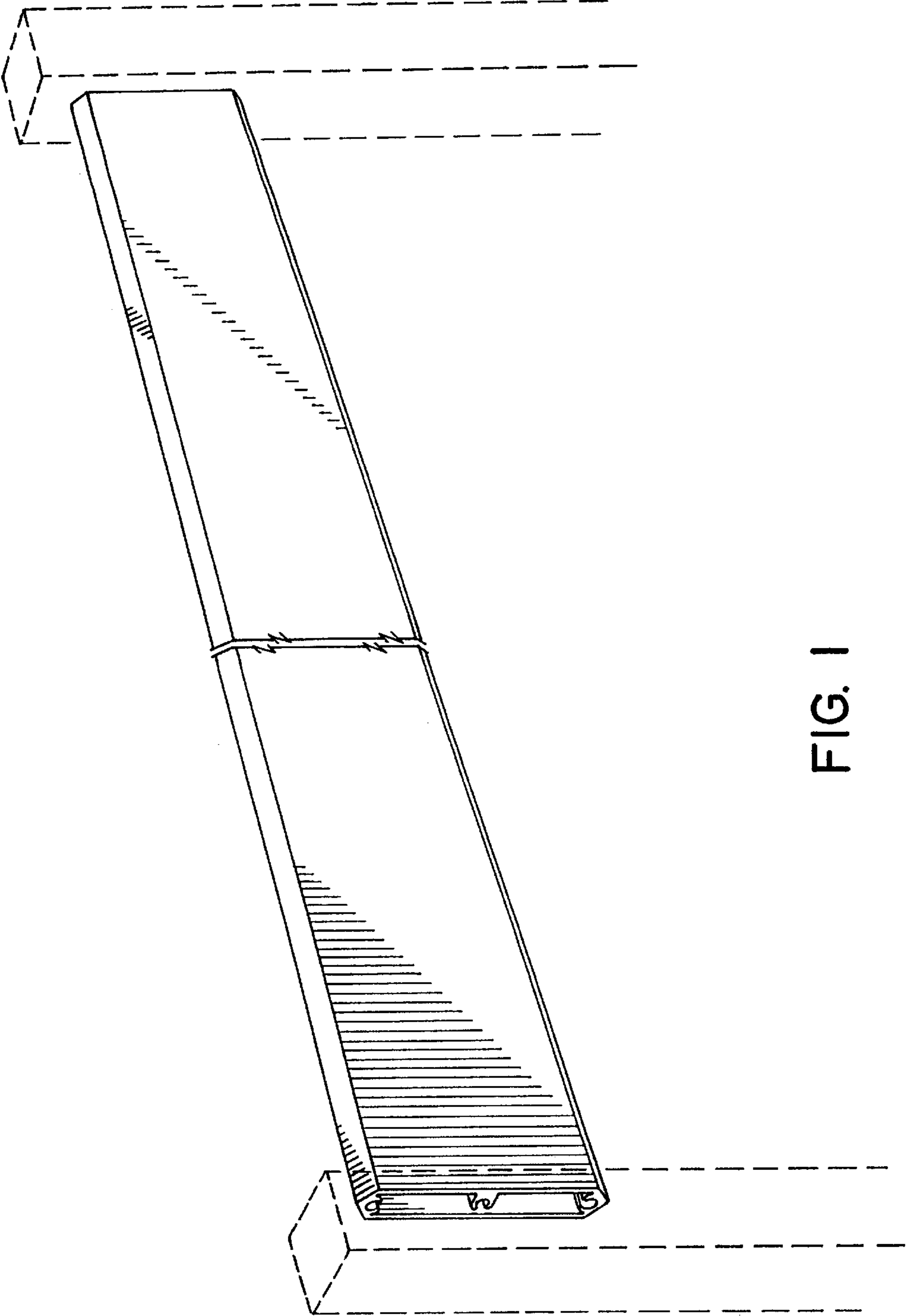


FIG. 1



FIG. 4

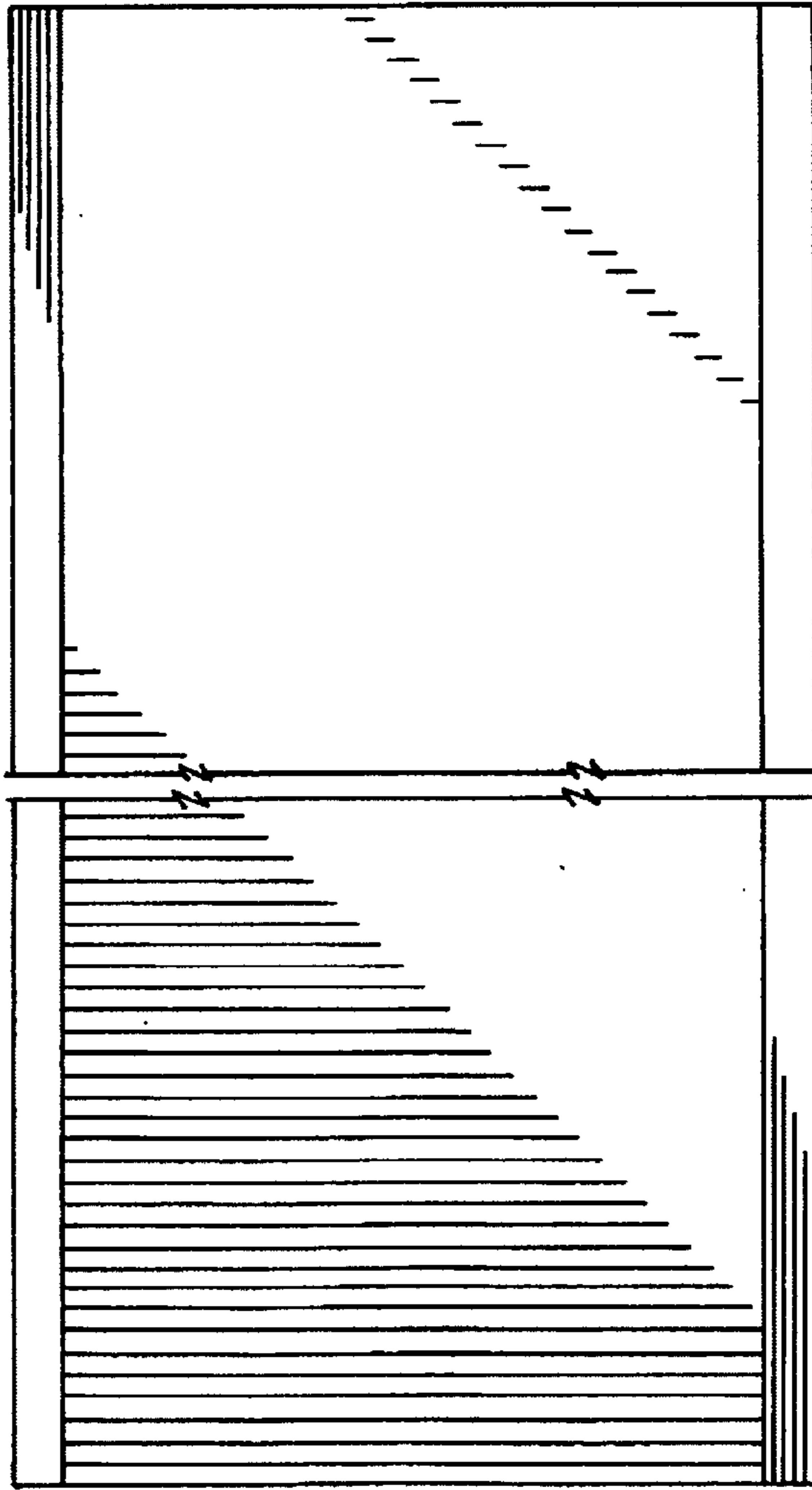


FIG. 2



FIG. 3