



US00D535758S

(12) **United States Design Patent**  
**Spreadborough**

(10) **Patent No.:** **US D535,758 S**

(45) **Date of Patent:** **\*\* Jan. 23, 2007**

(54) **SAWHORSE STACKING BRACKET**

5,913,381 A \* 6/1999 D'Armond, Jr. .... 182/186.3  
6,564,903 B2 \* 5/2003 Krajec ..... 182/153

(76) Inventor: **Elton L. Spreadborough**, 7817  
Tapadero St., Route 3, Angels Camp,  
CA (US) 95222

\* cited by examiner

*Primary Examiner*—Doris Clark

(\*\*) Term: **14 Years**

(74) *Attorney, Agent, or Firm*—Pamela W. Bertani; Audrey  
A. Millemann; Weintraub Genshlea Chedia

(21) Appl. No.: **29/233,188**

(57) **CLAIM**

(22) Filed: **Jun. 28, 2005**

I claim, the ornamental design for a sawhorse stacking  
bracket, as shown and described.

(51) **LOC (8) Cl.** ..... **25-04**

(52) **U.S. Cl.** ..... **D25/68**

(58) **Field of Classification Search** ..... 182/181.1,  
182/183.1, 186.7, 178.1, 185.1, 186.3, 224,  
182/179.1, 153, 182.2, 66.1, 152, 180.1,  
182/194, 21, 22, 23, 67.4, 64.1, 101, 102,  
182/106, 115, 112, 120, 121, 228.1, 228.2;  
D25/67, 68

**DESCRIPTION**

See application file for complete search history.

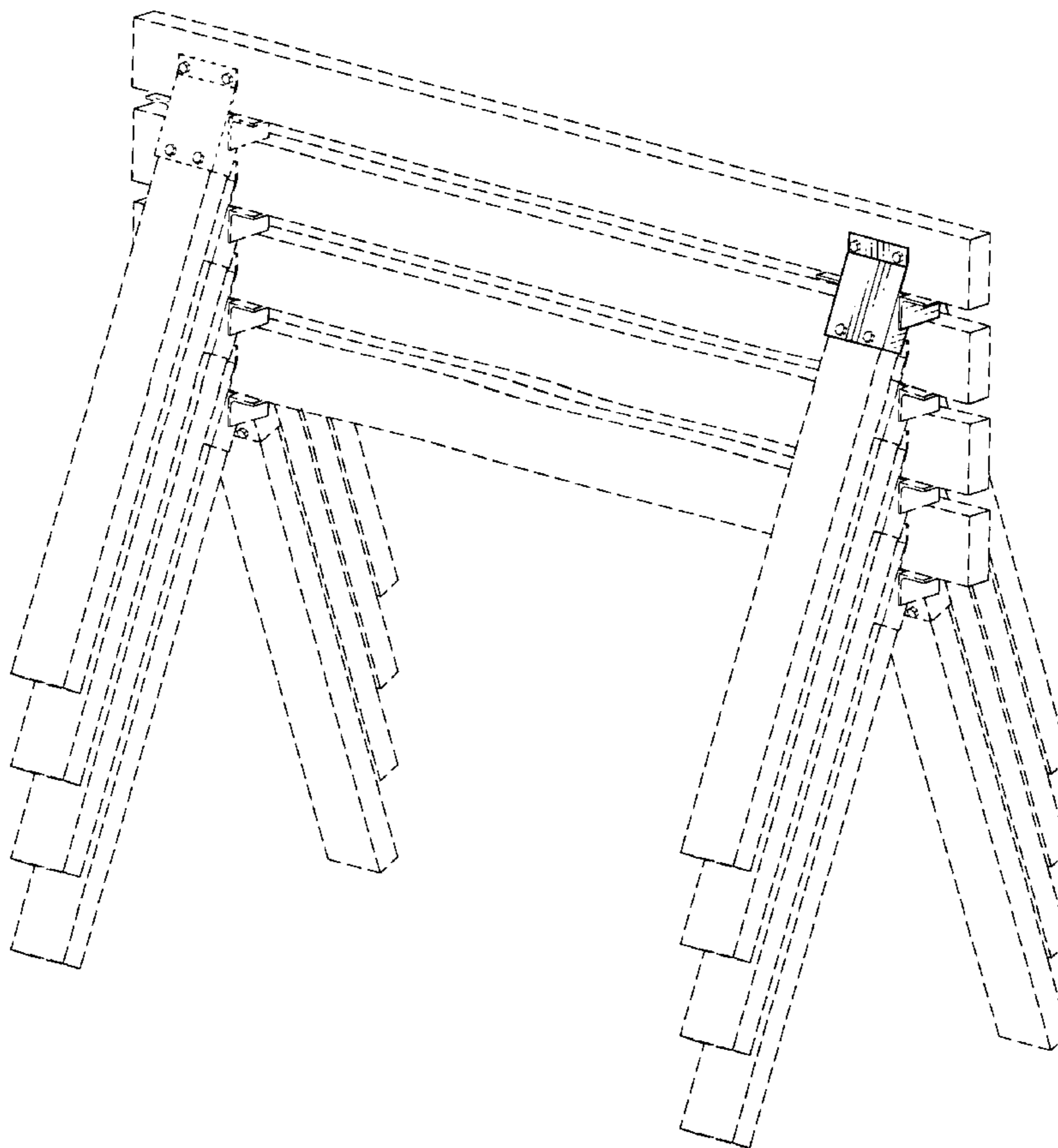
FIG. 1 is a perspective view of a sawhorse stacking bracket.  
FIG. 2 is a front view thereof.  
FIG. 3 is a top view thereof.  
FIG. 4 is a side view thereof.  
FIG. 5 is a bottom view thereof.  
FIG. 6 is a perspective view thereof, showing my new design  
in full lines with broken lines showing of environmental  
association matter being for illustrative purposes only and  
forming no part of the claimed design; and,  
FIG. 7 is a perspective view thereof, showing my new design  
in full lines with broken lines showing of environmental  
association matter being for illustrative purposes only and  
forming no part of the claimed design.

(56) **References Cited**

**U.S. PATENT DOCUMENTS**

D183,982 S \* 11/1958 Thompson ..... D25/68  
4,192,406 A \* 3/1980 Mitchell ..... 182/185.1  
5,377,780 A \* 1/1995 Dunaway ..... 182/185.1  
D362,510 S \* 9/1995 Jones ..... D25/68

**1 Claim, 2 Drawing Sheets**



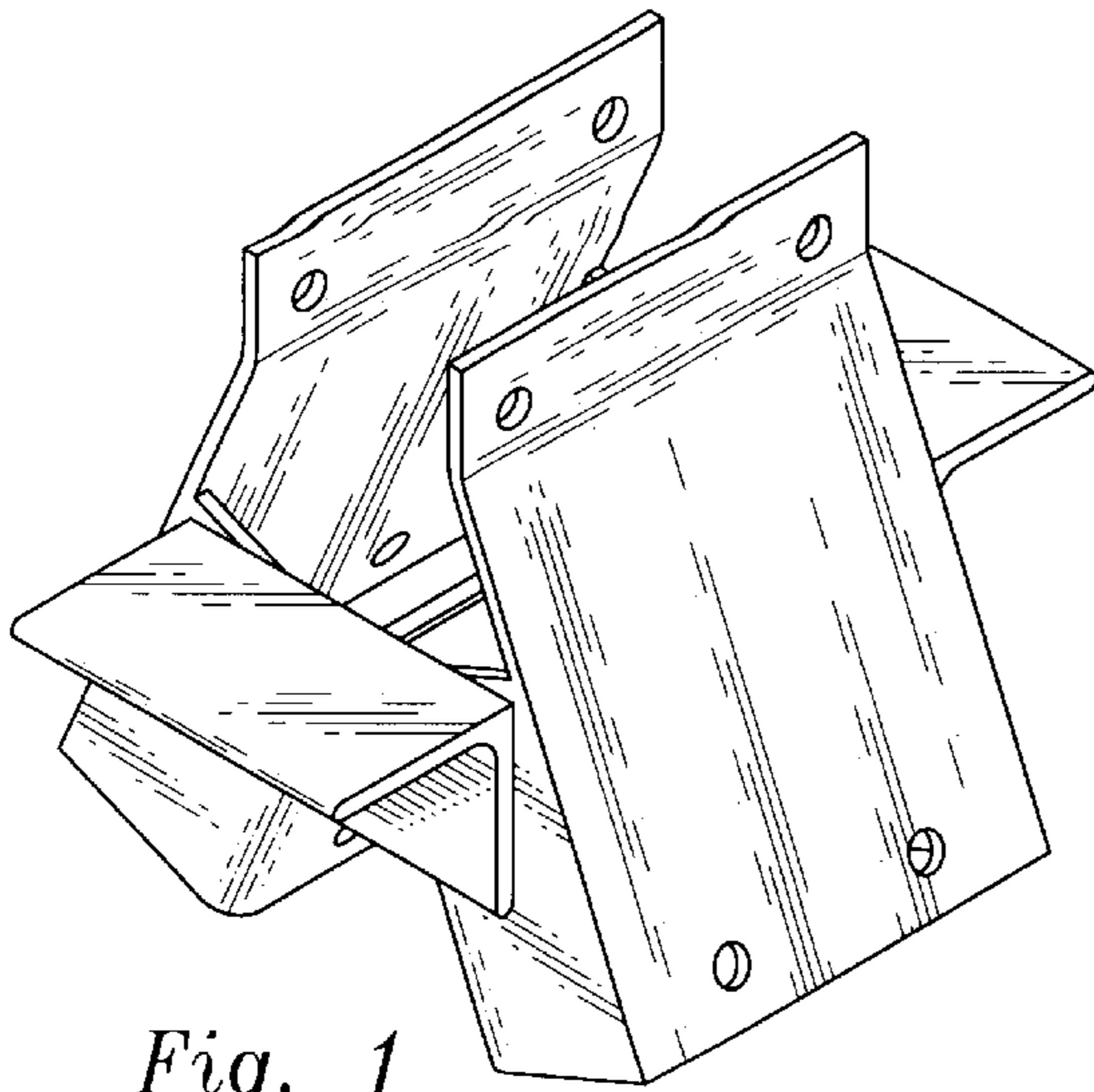


Fig. 1

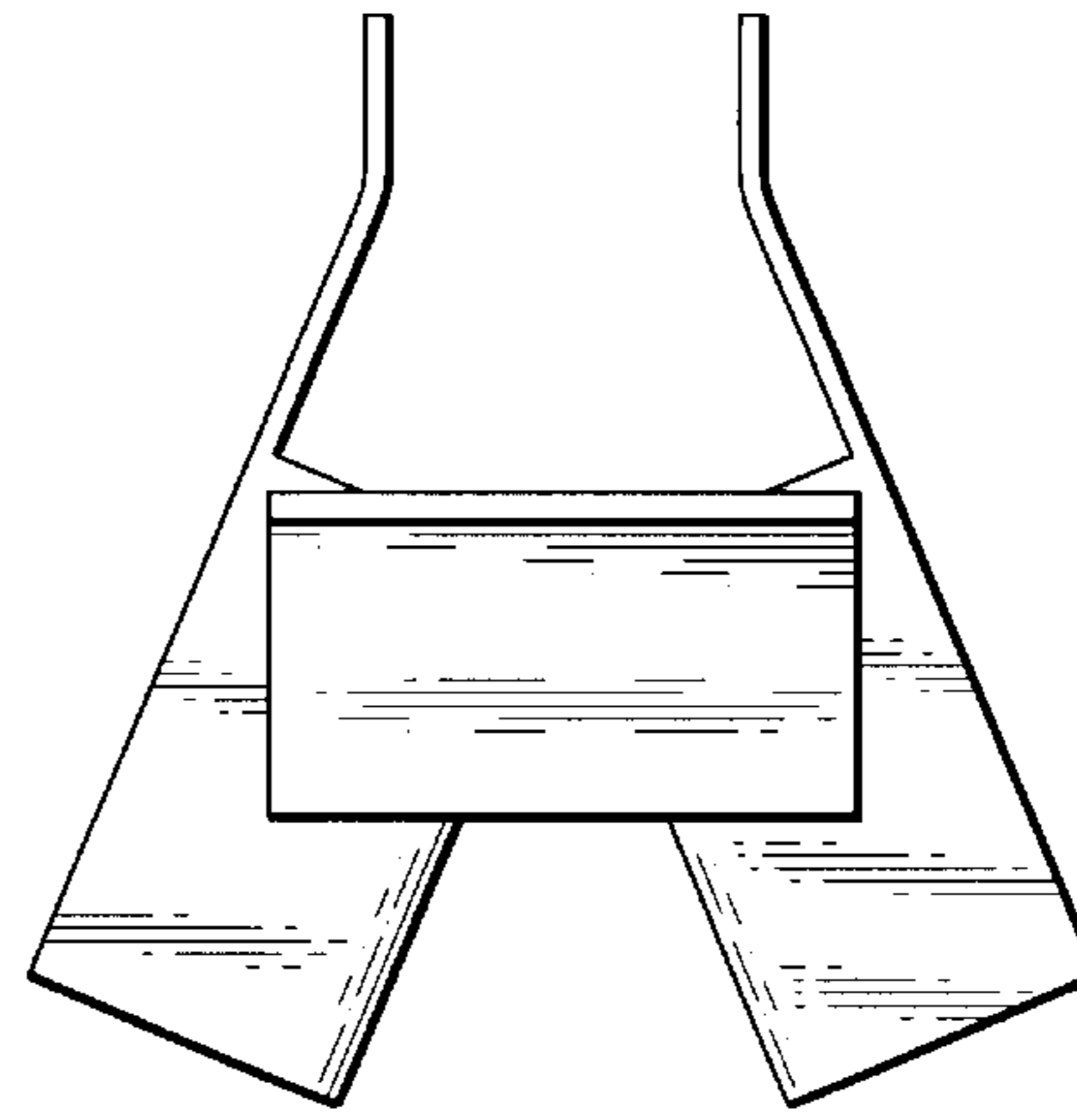


Fig. 2

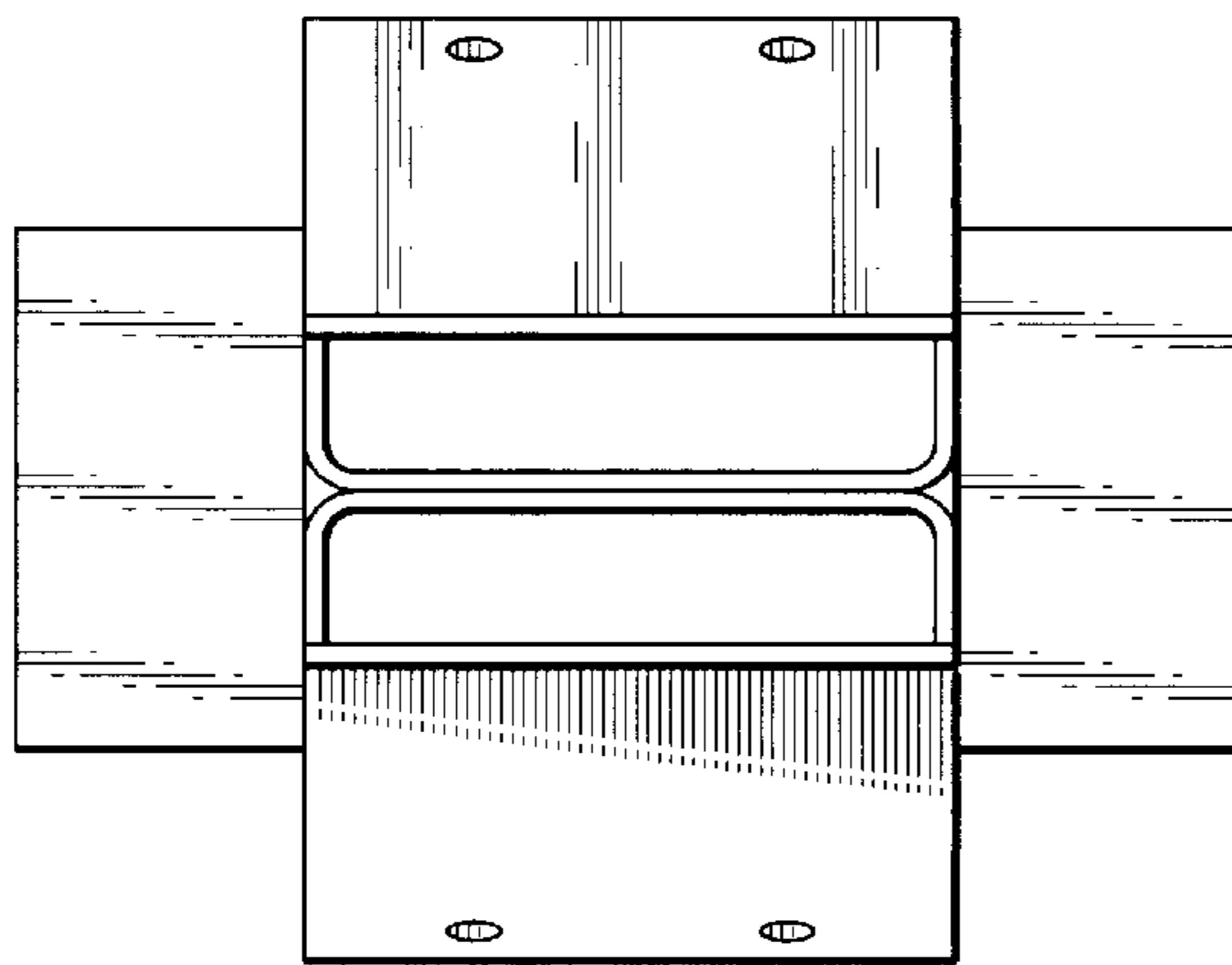


Fig. 3

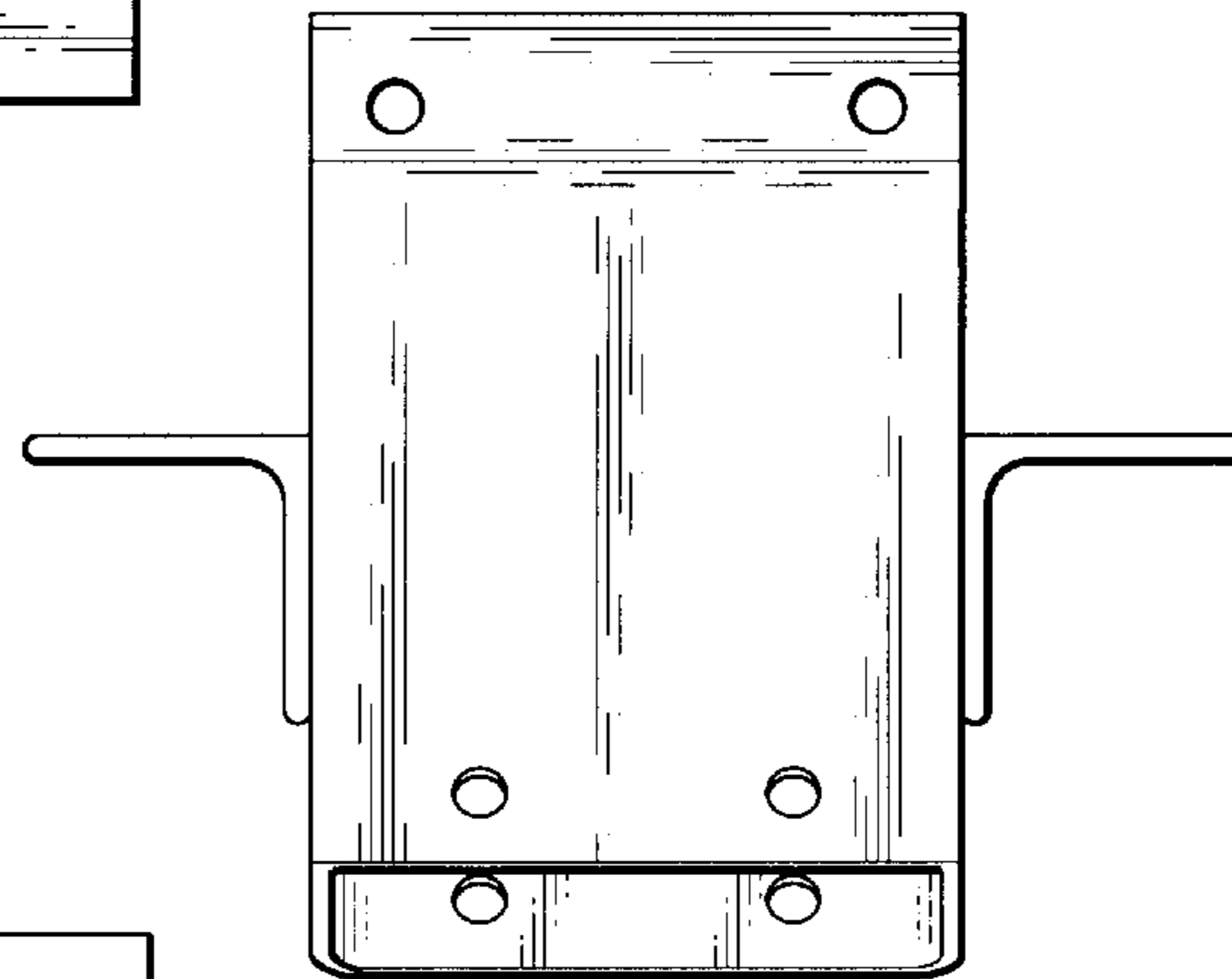


Fig. 4

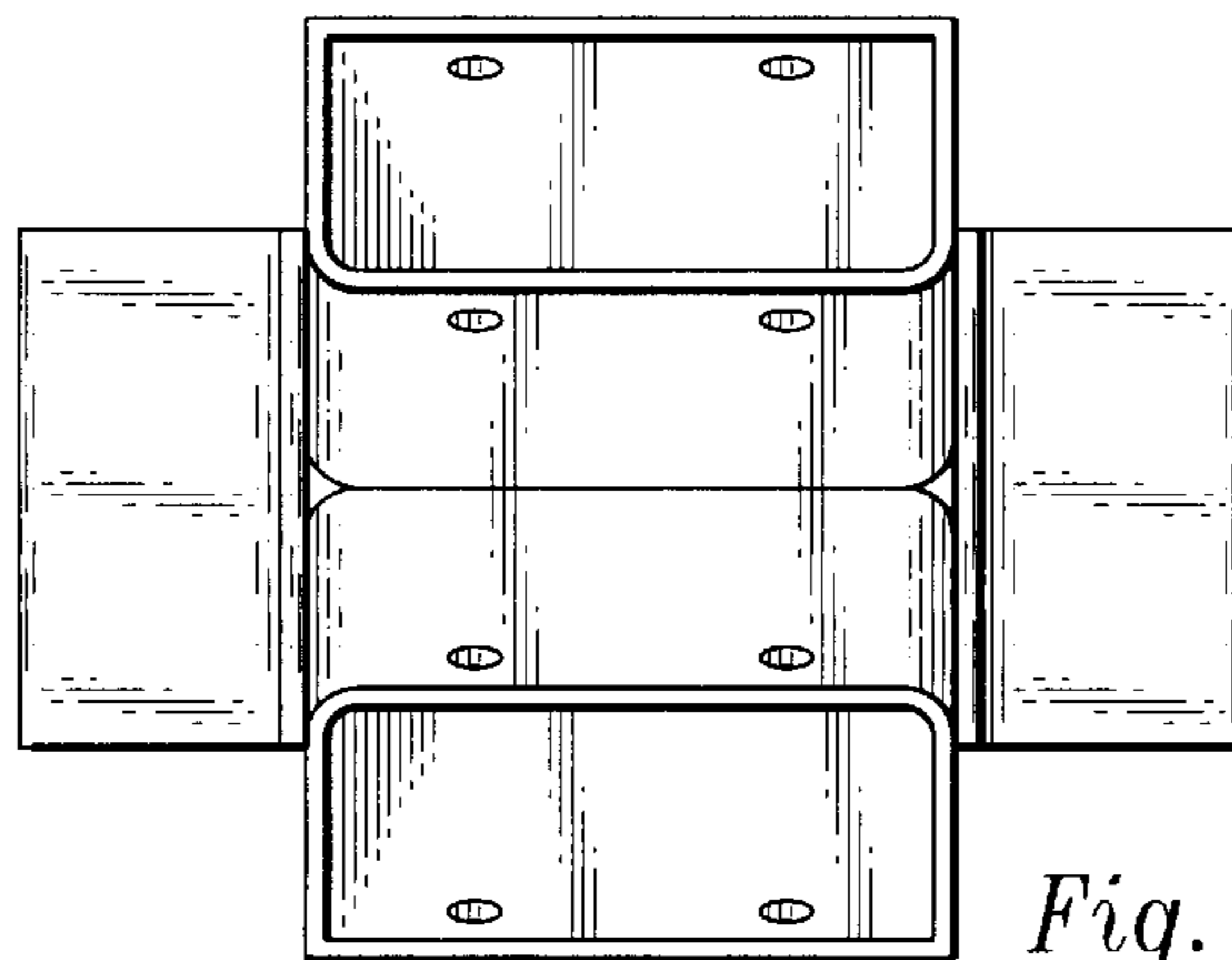
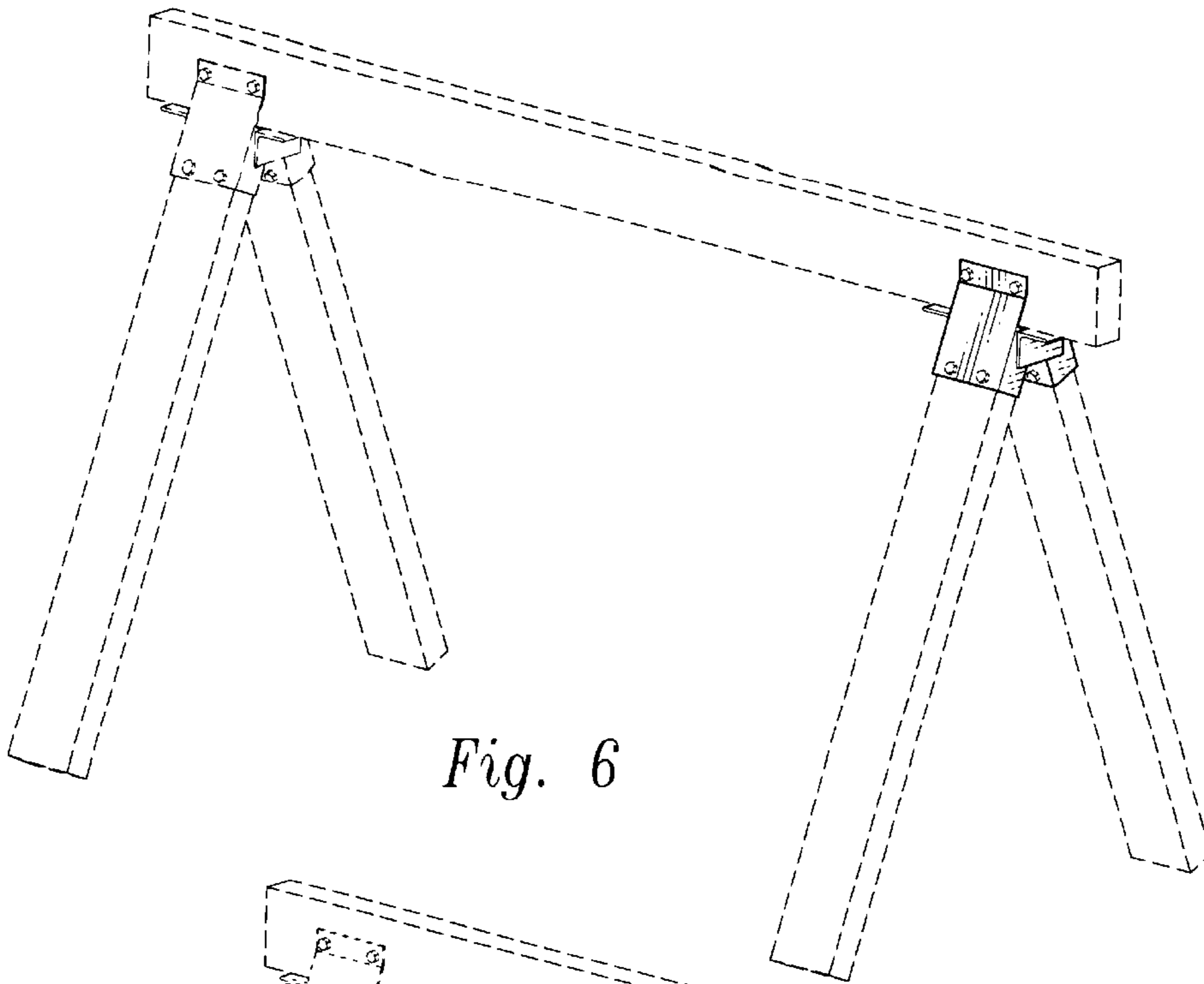
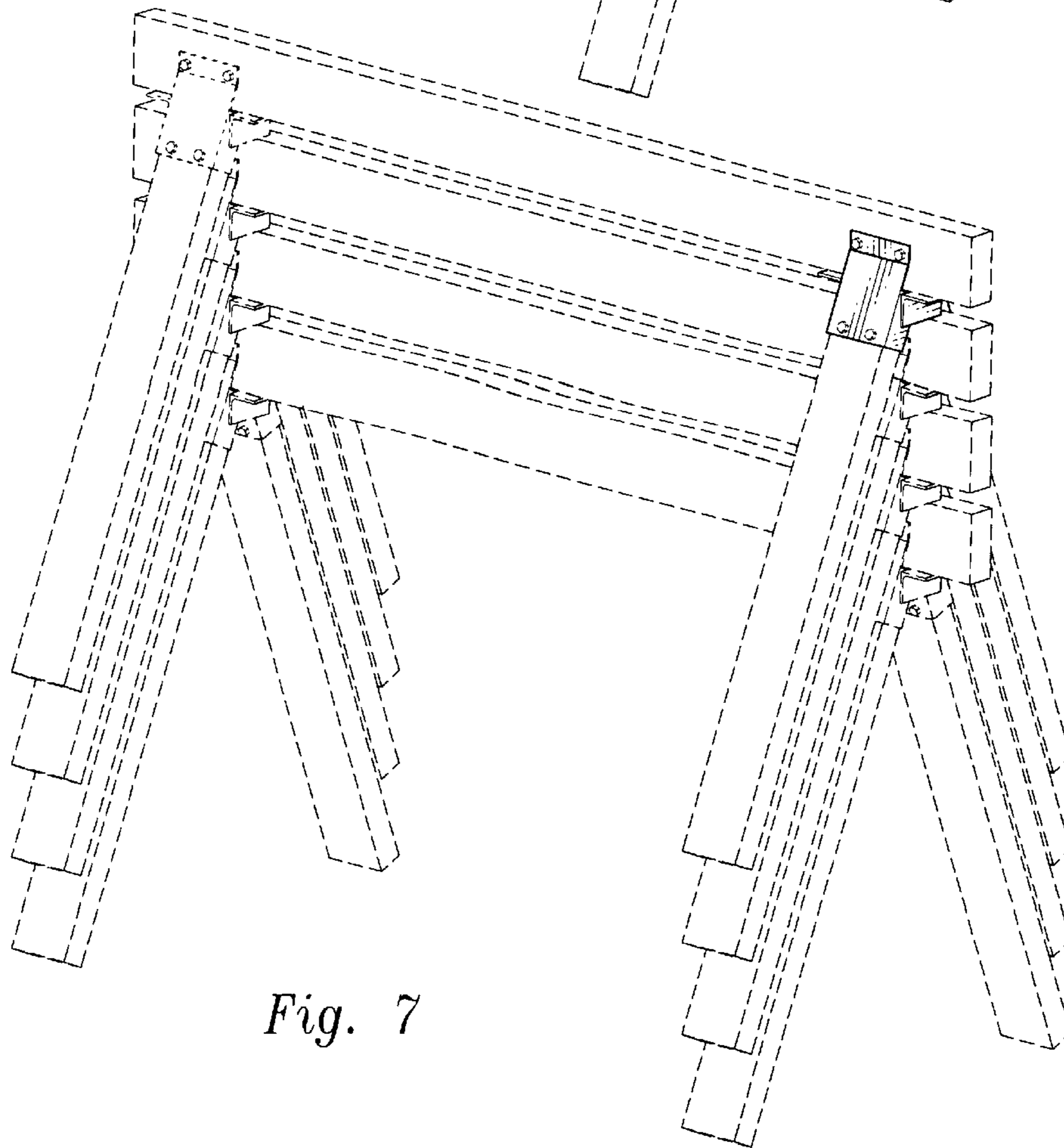


Fig. 5



*Fig. 6*



*Fig. 7*