



US00D535754S

(12) **United States Design Patent**  
**Bennison**

(10) **Patent No.:** **US D535,754 S**

(45) **Date of Patent:** **\*\* Jan. 23, 2007**

- (54) **STERILIZATION TRAY DEVICE**
- (75) Inventor: **Martin Frederick Bennison**, London (GB)
- (73) Assignee: **KeyMed (Medical & Industrial Equipment) Limited**, Southend-on-Sea (GB)
- (\*\*) Term: **14 Years**
- (21) Appl. No.: **29/257,888**
- (22) Filed: **Apr. 13, 2006**

5,451,379 A	9/1995	Bowlin, Jr.	
5,482,067 A	1/1996	Wittrock et al.	
5,492,671 A *	2/1996	Krafft .....	422/297
5,540,901 A	7/1996	Riley	
5,628,970 A *	5/1997	Basile et al. ....	422/297
5,725,097 A	3/1998	Bettenhausen et al.	
5,759,502 A	6/1998	Spencer et al.	
5,840,261 A *	11/1998	Monch .....	422/300
5,913,422 A	6/1999	Cote et al.	
5,993,754 A	11/1999	Lemmen et al.	
6,012,577 A	1/2000	Lewis et al.	
D421,309 S	2/2000	Riley et al.	
6,099,812 A *	8/2000	Allen et al. ....	422/300
6,193,932 B1 *	2/2001	Wu et al. ....	422/300
6,217,835 B1	4/2001	Riley et al.	
6,244,447 B1	6/2001	Frieze et al.	
6,331,280 B1	12/2001	Wood	
6,468,482 B1 *	10/2002	Frieze et al. ....	422/300
6,783,004 B1 *	8/2004	Rinner .....	206/368
6,969,498 B1 *	11/2005	Riley .....	422/300

**Related U.S. Application Data**

- (62) Division of application No. 29/228,579, filed on Apr. 26, 2005.

(30) **Foreign Application Priority Data**

Oct. 27, 2004 (EM) ..... 000248497

- (51) **LOC (8) Cl.** ..... **24-01**
- (52) **U.S. Cl.** ..... **D24/217**
- (58) **Field of Classification Search** ..... D24/156, D24/216-232; 206/363, 379, 368-370, 438; 211/69-70; 422/26, 28, 33, 292, 295, 297, 422/300, 310; 433/77

See application file for complete search history.

(56) **References Cited**

**U.S. PATENT DOCUMENTS**

4,798,292 A	1/1989	Hauze	
4,854,475 A	8/1989	Riihimaki et al.	
4,959,199 A	9/1990	Brewer	
D334,973 S *	4/1993	Valentine et al. ....	D24/227
D337,830 S *	7/1993	Coyne et al. ....	D24/229
5,284,632 A	2/1994	Kudla et al.	
5,346,075 A	9/1994	Nichols et al.	
5,384,103 A *	1/1995	Miller .....	422/300
5,424,048 A *	6/1995	Riley .....	422/300
5,433,929 A	7/1995	Riihimaki et al.	

\* cited by examiner

*Primary Examiner*—Louis Zarfaz

*Assistant Examiner*—Mark Cavanna

(74) *Attorney, Agent, or Firm*—Smith, Gambrell & Russell, LLP

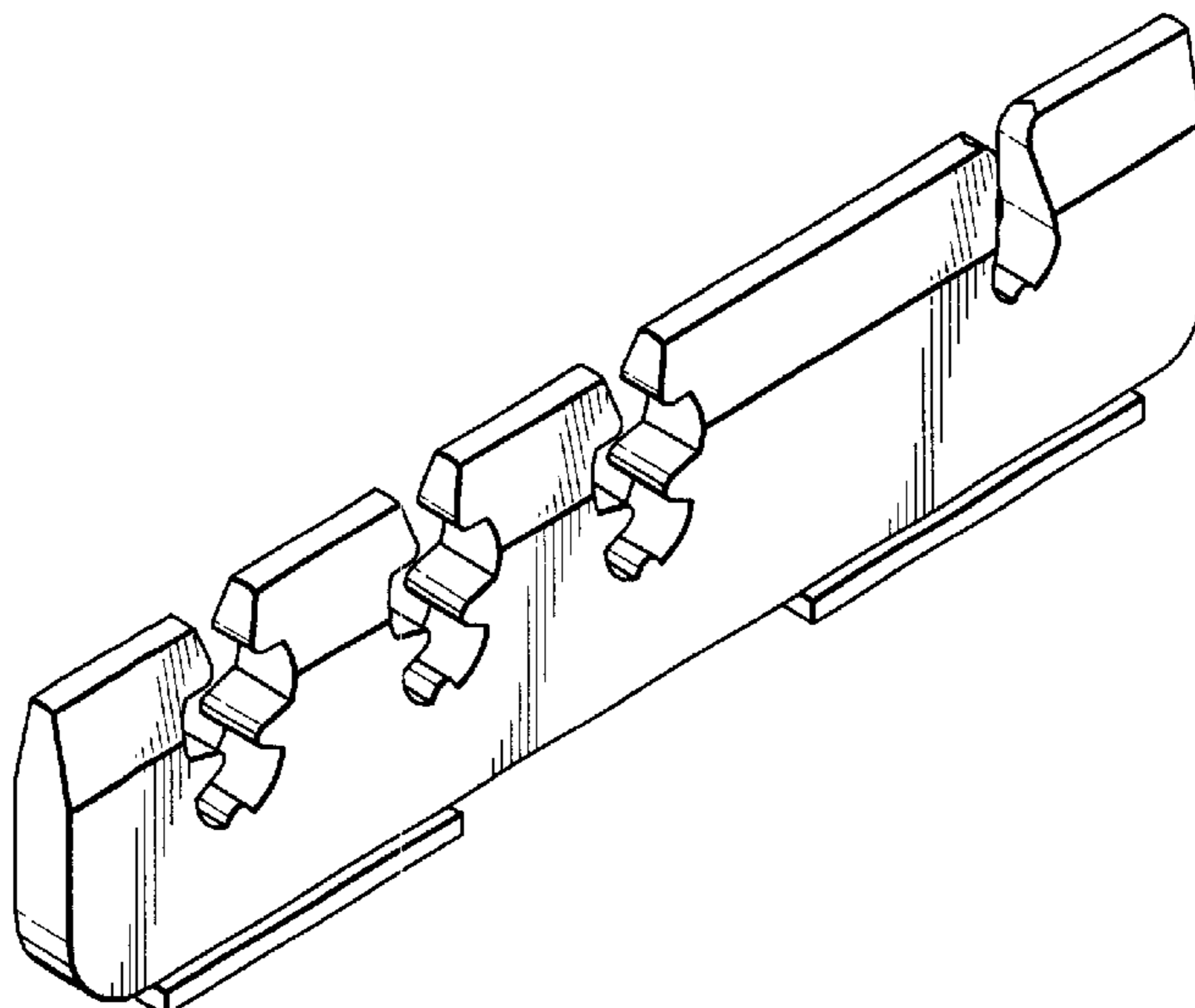
(57) **CLAIM**

The ornamental design for a sterilization tray device, as shown and described.

**DESCRIPTION**

FIG. 1 shows a perspective view of a sterilization tray device of the present invention in the form of an embodiment of a support for instruments to be sterilized in a sterilization tray; FIG. 2 shows a front elevational view; FIG. 3 shows a rear elevational view; FIG. 4 shows a top plan view; FIG. 5 shows a bottom plan view; FIG. 6 shows a right side elevational view; and, FIG. 7 shows a left side elevational view.

**1 Claim, 1 Drawing Sheet**



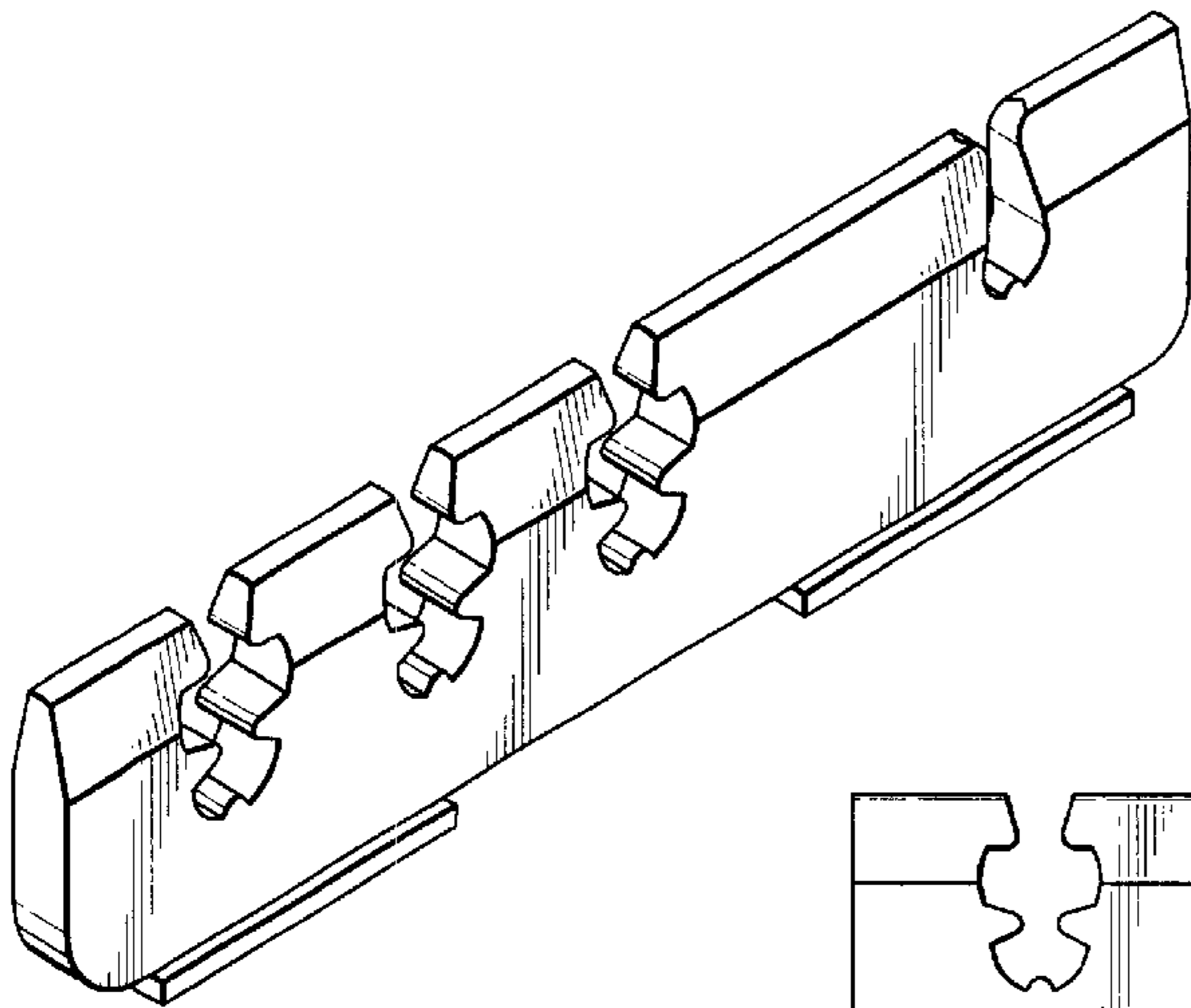


FIG. 1

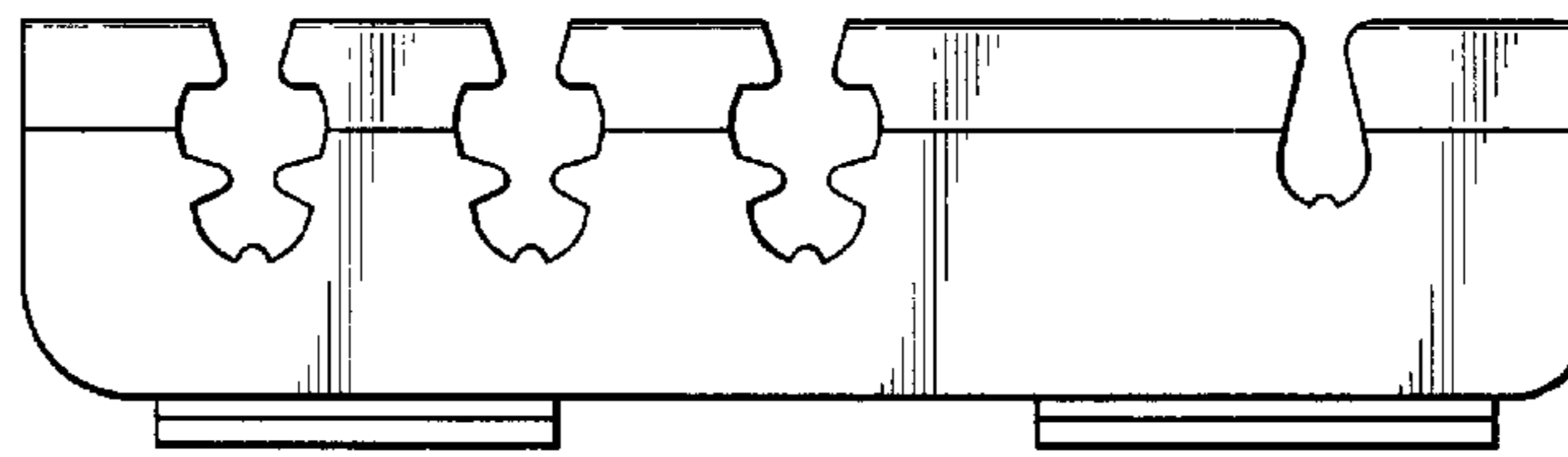


FIG. 2

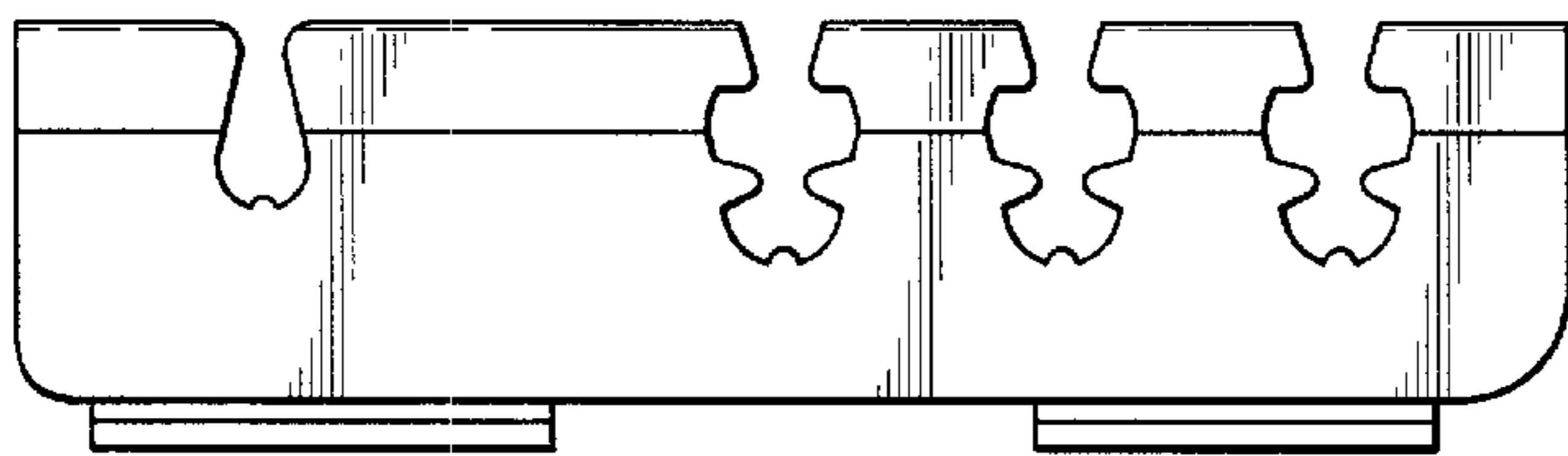


FIG. 3



FIG. 4

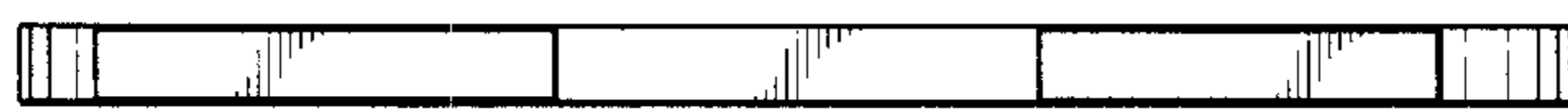


FIG. 5



FIG. 6



FIG. 7