



US00D535753S

(12) **United States Design Patent**
Bennison

(10) **Patent No.:** **US D535,753 S**

(45) **Date of Patent:** **** Jan. 23, 2007**

- (54) **STERILIZATION TRAY DEVICE**
- (75) Inventor: **Martin Frederick Bennison**, London (GB)
- (73) Assignee: **KeyMed (Medical & Industrial Equipment) Limited**, Southend-on-Sea (GB)
- (**) Term: **14 Years**
- (21) Appl. No.: **29/257,887**
- (22) Filed: **Apr. 13, 2006**

Related U.S. Application Data

- (62) Division of application No. 29/228,579, filed on Apr. 26, 2005.

(30) **Foreign Application Priority Data**

Oct. 27, 2004 (EM) 000248497

- (51) **LOC (8) Cl.** **24-01**
- (52) **U.S. Cl.** **D24/217**
- (58) **Field of Classification Search** D24/156, D24/216-232; 206/363, 379, 368-370, 438; 211/69-70; 422/26, 28, 33, 292, 295, 297, 422/300, 310; 433/77

See application file for complete search history.

(56) **References Cited**

U.S. PATENT DOCUMENTS

- 4,798,292 A 1/1989 Hauze
- 4,854,475 A 8/1989 Riihimaki et al.
- 4,959,199 A 9/1990 Brewer
- D334,973 S * 4/1993 Valentine et al. D24/227
- D337,830 S * 7/1993 Coyne et al. D24/229
- 5,284,632 A 2/1994 Kudla et al.
- 5,346,075 A 9/1994 Nichols et al.
- 5,384,103 A * 1/1995 Miller 422/300
- 5,424,048 A * 6/1995 Riley 422/300
- 5,433,929 A 7/1995 Riihimaki et al.

- 5,451,379 A 9/1995 Bowlin, Jr.
- 5,482,067 A 1/1996 Wittrock et al.
- 5,492,671 A * 2/1996 Krafft 422/297
- 5,540,901 A 7/1996 Riley
- 5,628,970 A * 5/1997 Basile et al. 422/297
- 5,725,097 A 3/1998 Bettenhausen et al.
- 5,759,502 A 6/1998 Spencer et al.
- 5,840,261 A * 11/1998 Monch 422/300
- 5,913,422 A 6/1999 Cote et al.
- 5,993,754 A 11/1999 Lemmen et al.
- 6,012,577 A 1/2000 Lewis et al.
- D421,309 S 2/2000 Riley et al.
- 6,099,812 A * 8/2000 Allen et al. 422/300
- 6,193,932 B1 * 2/2001 Wu et al. 422/300
- 6,217,835 B1 4/2001 Riley et al.
- 6,244,447 B1 6/2001 Frieze et al.
- 6,331,280 B1 12/2001 Wood
- 6,468,482 B1 * 10/2002 Frieze et al. 422/300
- 6,783,004 B1 * 8/2004 Rinner 206/368
- 6,969,498 B1 * 11/2005 Riley 422/300

* cited by examiner

Primary Examiner—Robert A. Delehanty

Assistant Examiner—Mark Cavanna

(74) *Attorney, Agent, or Firm*—Smith, Gambrell & Russell, LLP

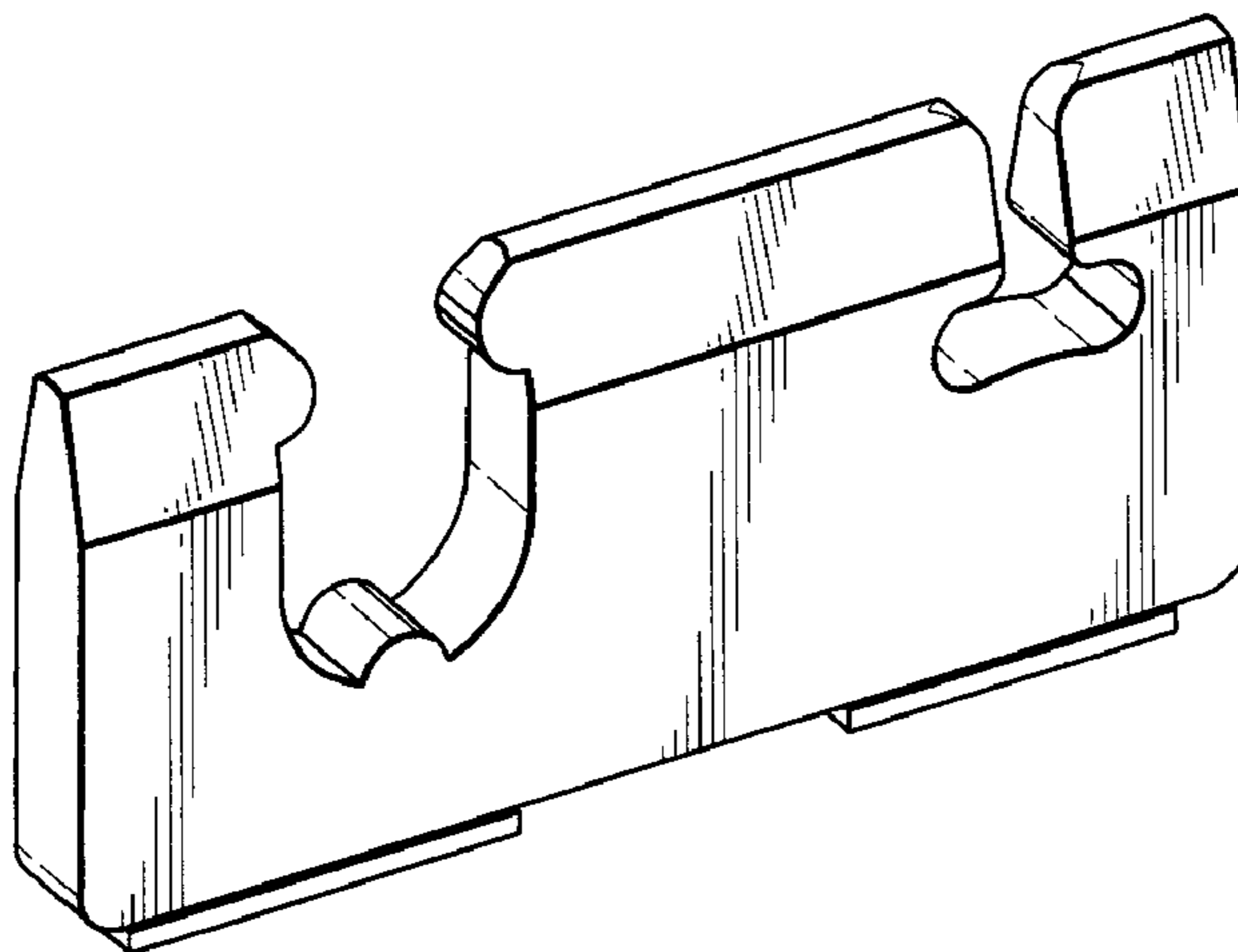
(57) **CLAIM**

The ornamental design for a sterilization tray device, as shown and described.

DESCRIPTION

FIG. 1 shows a perspective view of a sterilization tray device of the present invention in the form of an embodiment of a support for instruments to be sterilized in a sterilization tray; FIG. 2 shows a front elevational view; FIG. 3 shows a rear elevational view; FIG. 4 shows a top plan view; FIG. 5 shows a bottom plan view; FIG. 6 shows a right side elevational view; and, FIG. 7 shows a left side elevational view.

1 Claim, 1 Drawing Sheet



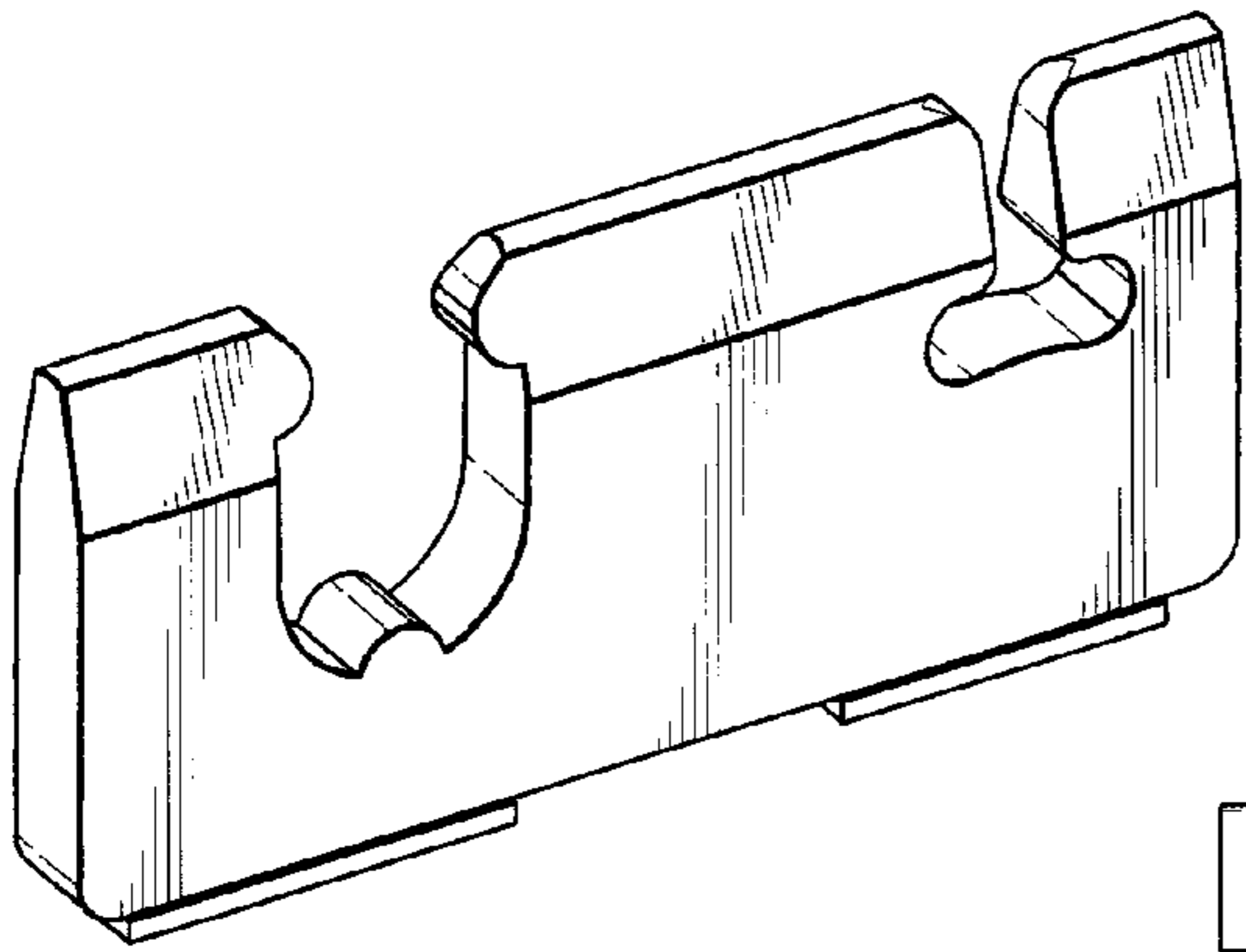


FIG. 1

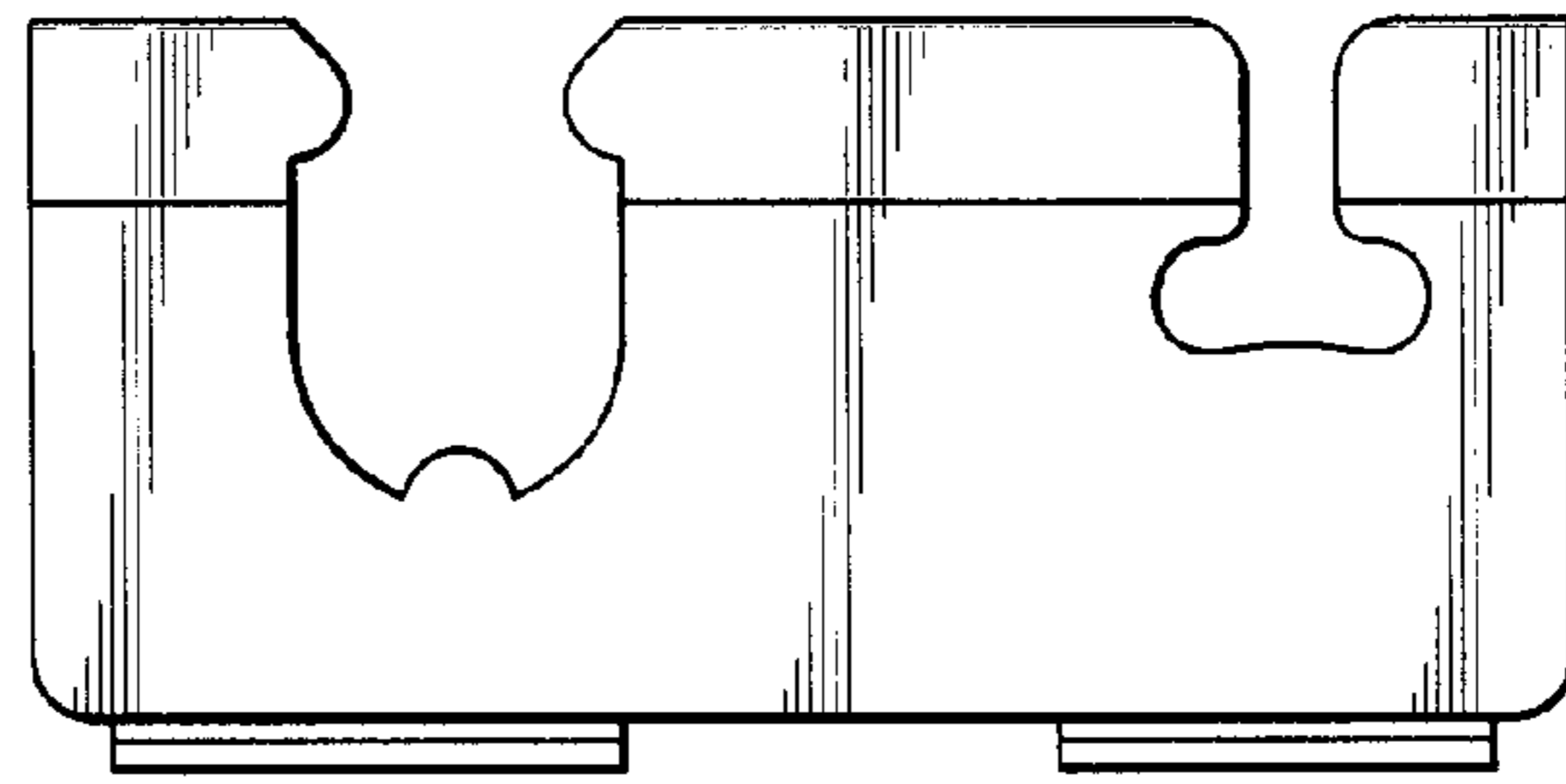


FIG. 2

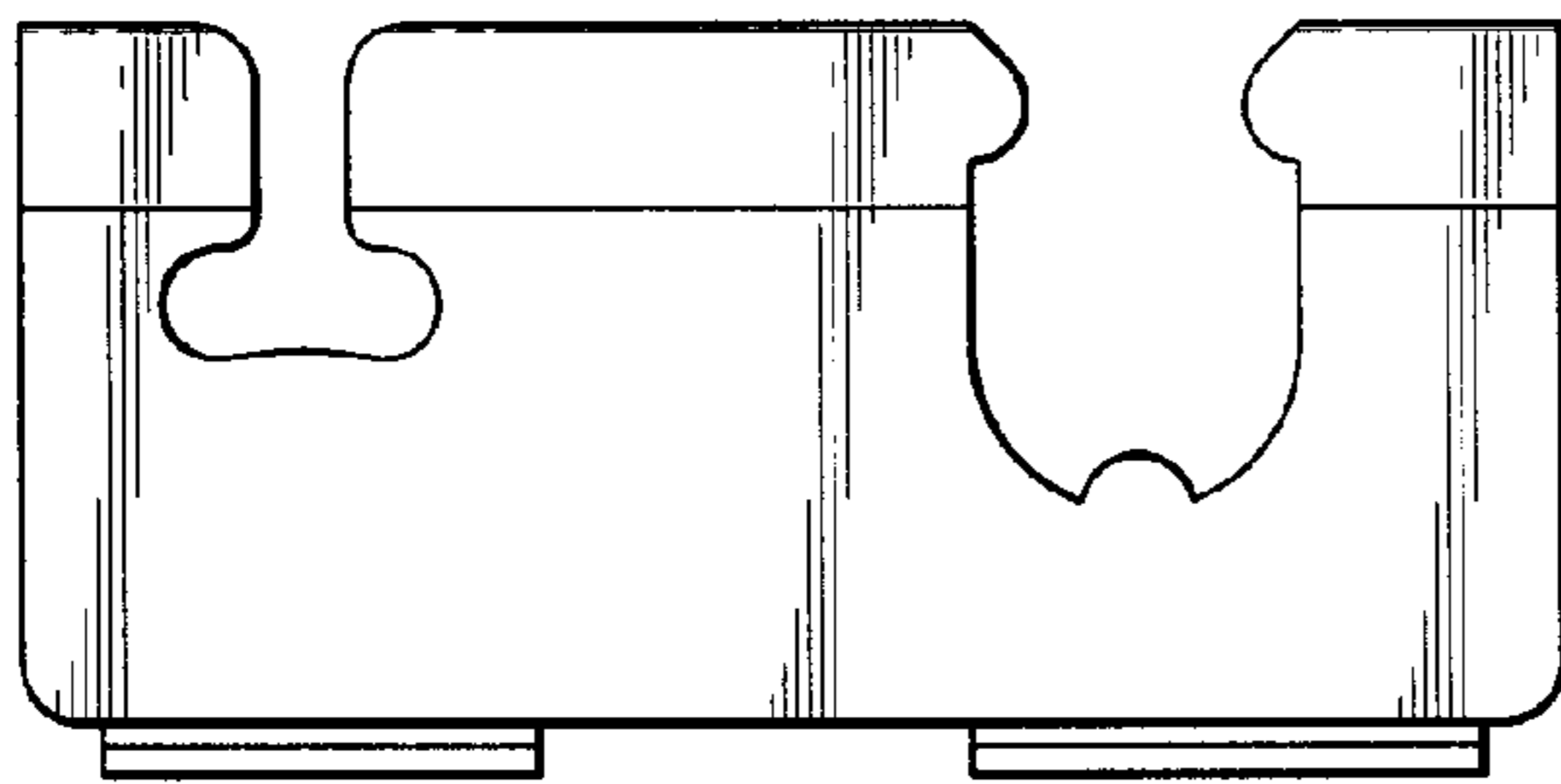


FIG. 3

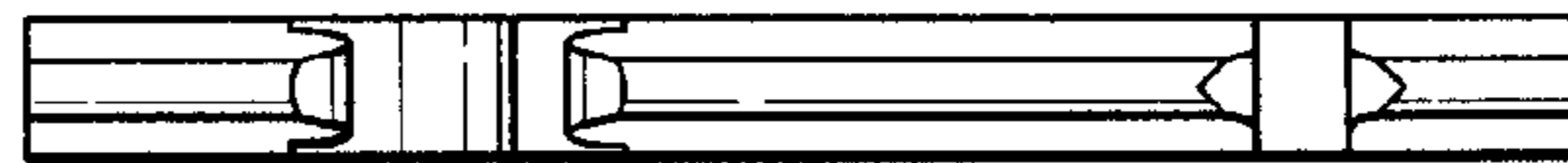


FIG. 4

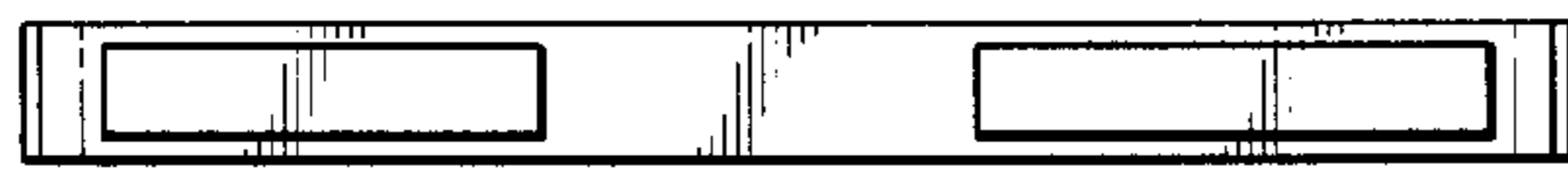


FIG. 5



FIG. 6

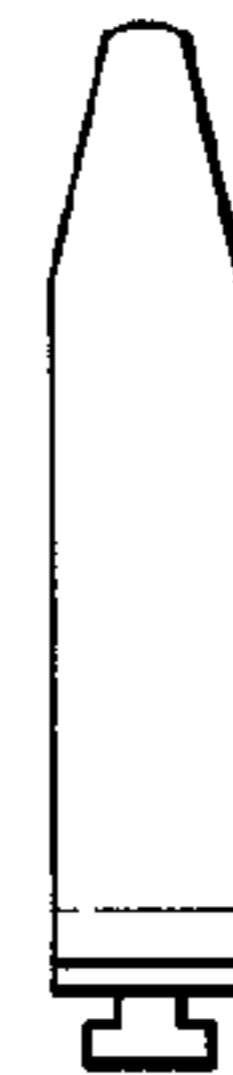


FIG. 7