



US00D535750S

(12) **United States Design Patent**
Clawson

(10) **Patent No.:** **US D535,750 S**

(45) **Date of Patent:** **** Jan. 23, 2007**

(54) **BREATHING FILTER**

6,415,788 B1 7/2002 Clawson et al.

(75) Inventor: **Burrell E. Clawson**, Newport Beach,
CA (US)

FOREIGN PATENT DOCUMENTS

GB 2 267 840 A 12/1993

(73) Assignee: **Enternet Medical, Inc.**, Crofton, MD
(US)

* cited by examiner

(**) Term: **14 Years**

Primary Examiner—Antoine D. Davis

Assistant Examiner—Christopher Lee

(21) Appl. No.: **29/223,307**

(74) *Attorney, Agent, or Firm*—Stout, Uxa, Buyan &
Mullins; Linda A. Fox; Frank J. Uxa

(22) Filed: **Feb. 11, 2005**

(57) **CLAIM**

(51) **LOC (8) Cl.** **24-01**

The ornamental design for a breathing filter, as shown and
described.

(52) **U.S. Cl.** **D24/162**

(58) **Field of Classification Search** D24/110,
D24/110.1-6, 164, 162, 232; D23/209; 128/203.16,
128/205.12, 205.27

DESCRIPTION

See application file for complete search history.

FIG. 1 is a top perspective view of the breathing filter of the
present invention.

FIG. 2 is a front elevation view of the breathing filter shown
in FIG. 1, the back elevation view of the breathing filter
being identical thereto.

(56) **References Cited**

U.S. PATENT DOCUMENTS

FIG. 3 is a top plan view of the breathing filter shown in FIG.
1.

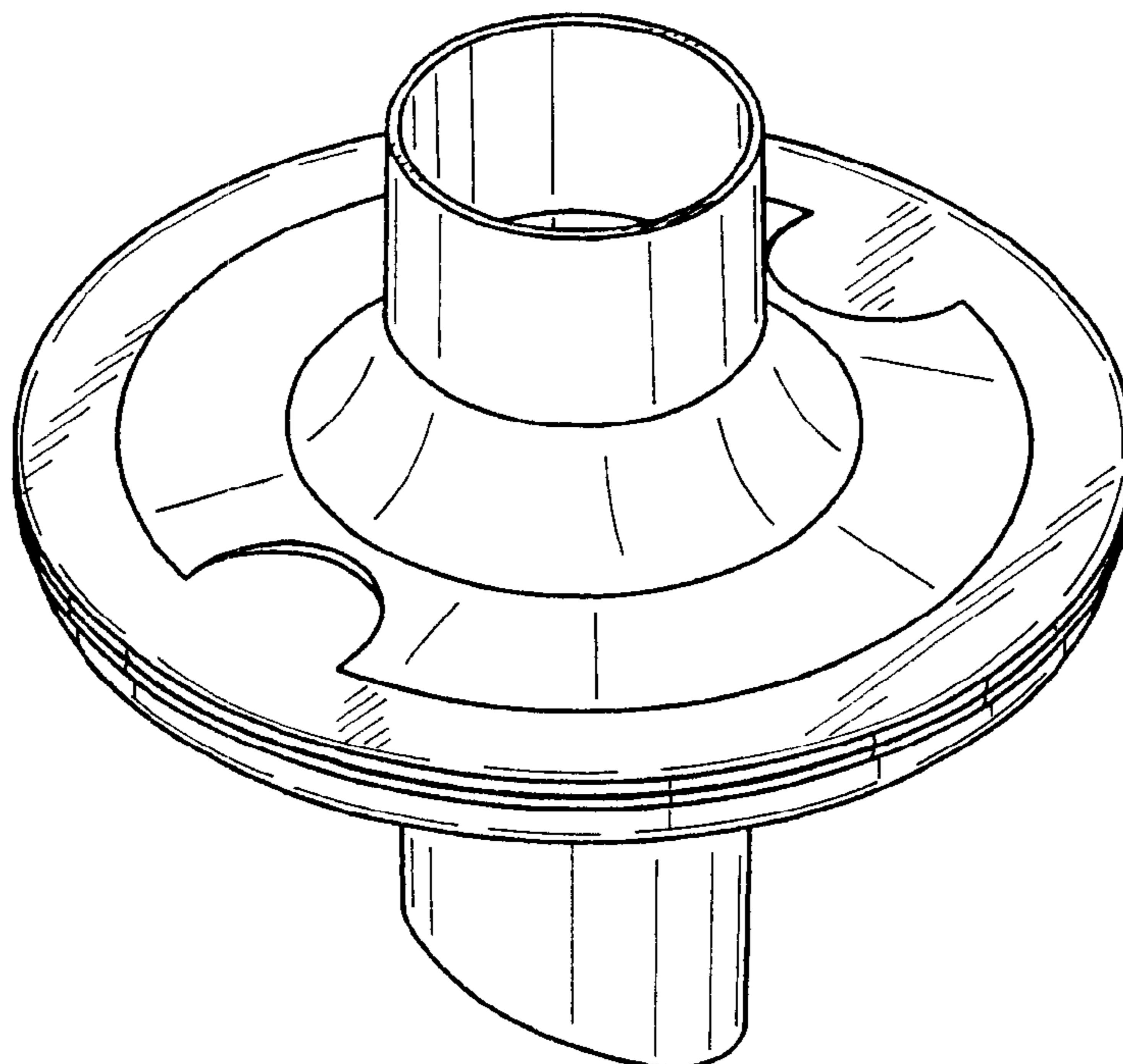
3,782,083	A	*	1/1974	Rosenberg	55/491
D358,213	S	*	5/1995	Sutton et al.	D24/162
5,460,172	A		10/1995	Eckerbom et al.		
5,577,494	A		11/1996	Kuypers et al.		
D398,060	S	*	9/1998	Brown	D24/164
5,992,413	A		11/1999	Martin, Jr. et al.		
6,095,135	A		8/2000	Clawson et al.		
6,105,576	A		8/2000	Clawson et al.		
D441,449	S	*	5/2001	Gaskell	D24/162
6,363,930	B1		4/2002	Clawson et al.		

FIG. 4 is a side elevation view showing a side of the
breathing filter shown in FIG. 1, the opposite side elevation
view of the breathing filter being identical thereto.

FIG. 5 is a bottom plan view of the breathing filter shown in
FIG. 1; and,

FIG. 6 is a bottom perspective view of the breathing filter
shown in FIG. 1.

1 Claim, 3 Drawing Sheets



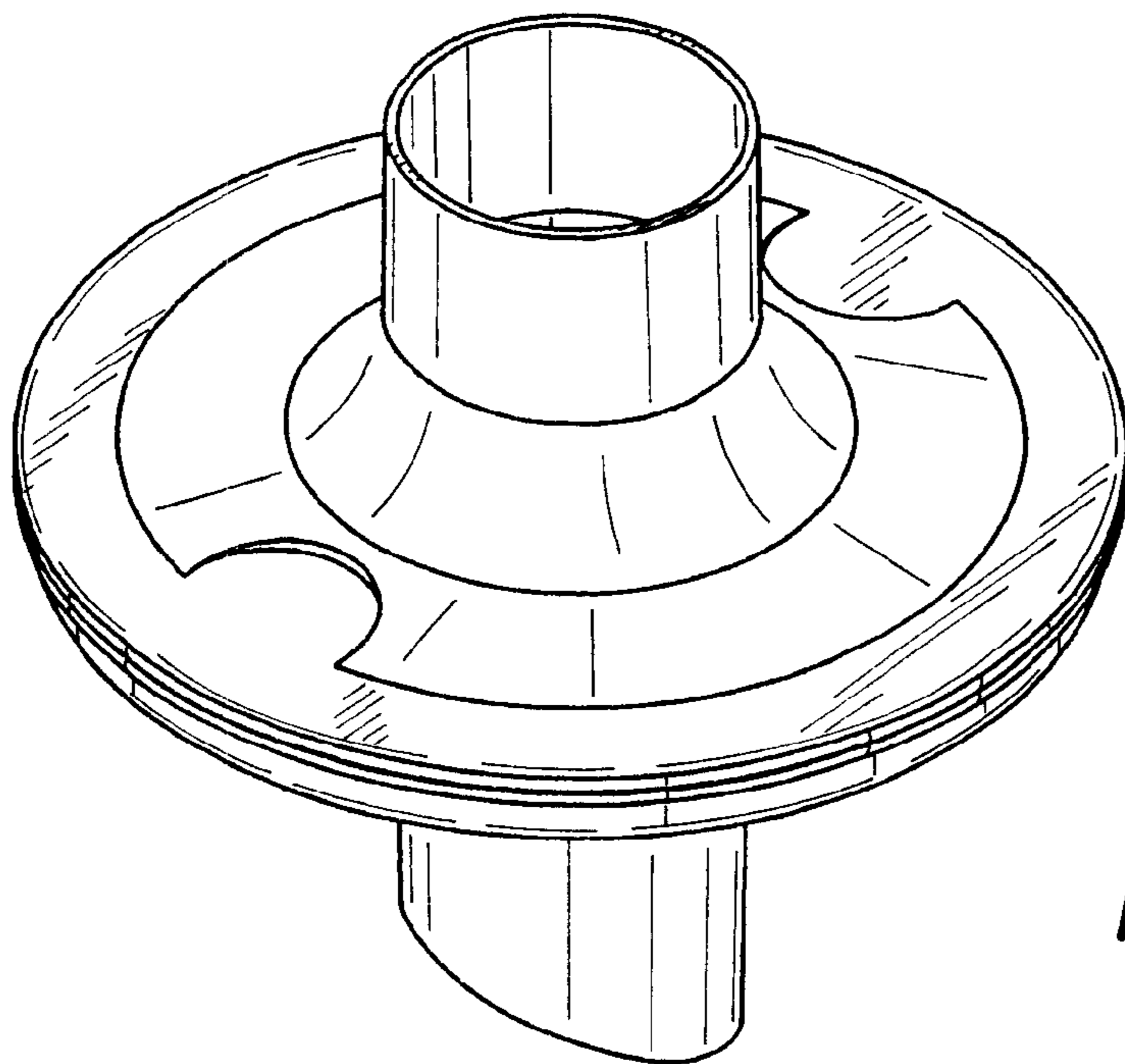


FIG. 1

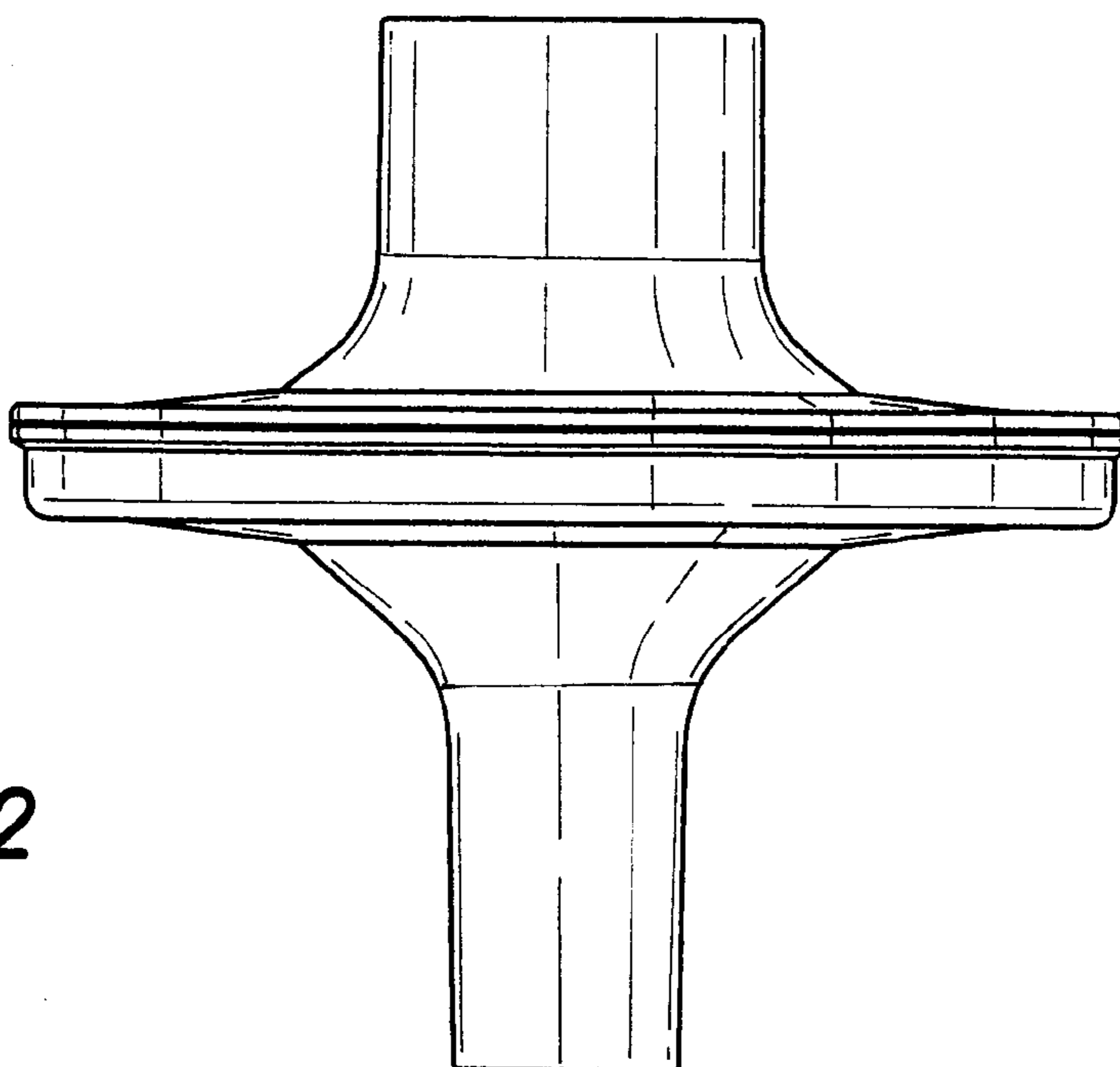


FIG. 2

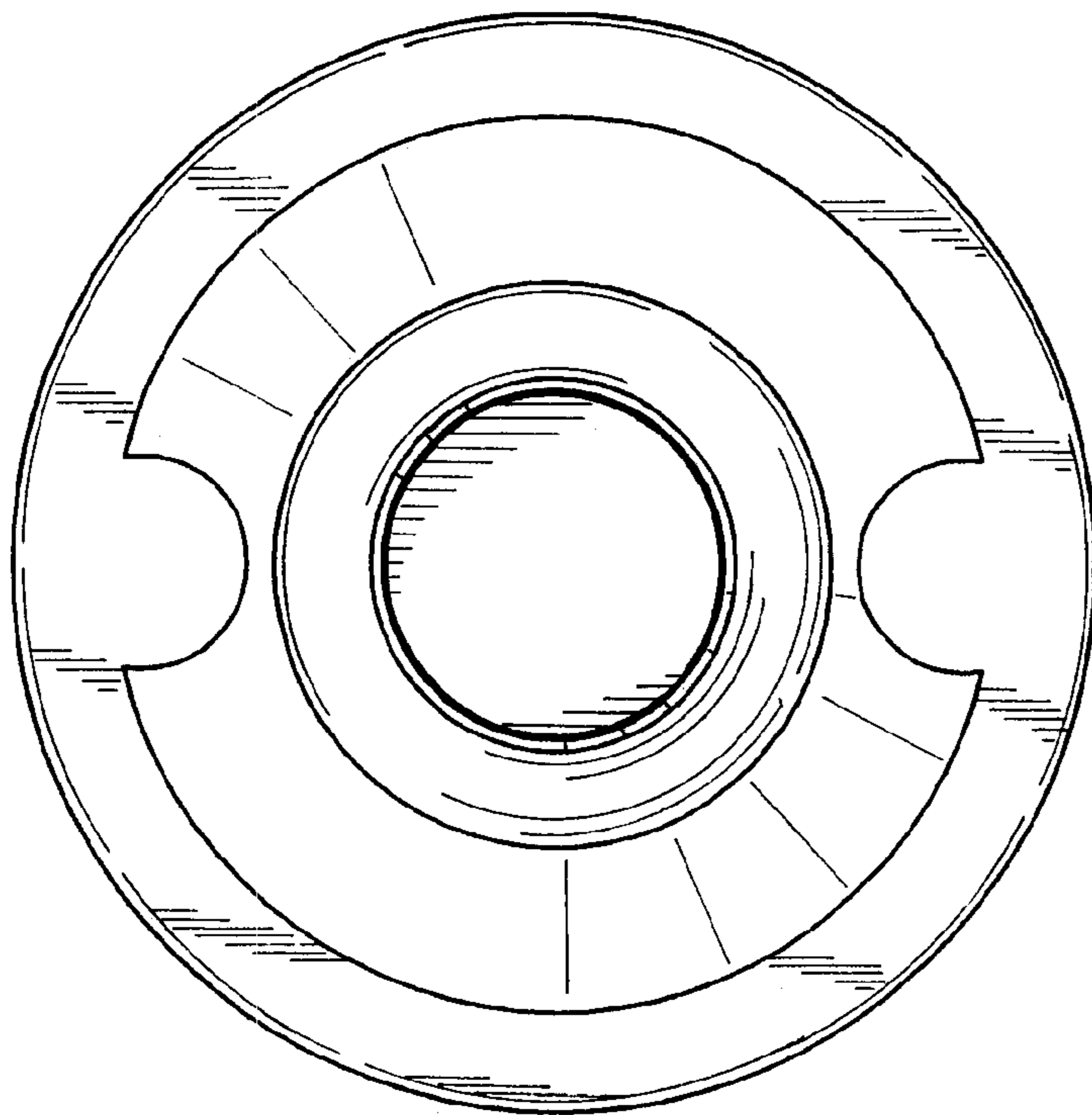


FIG. 3

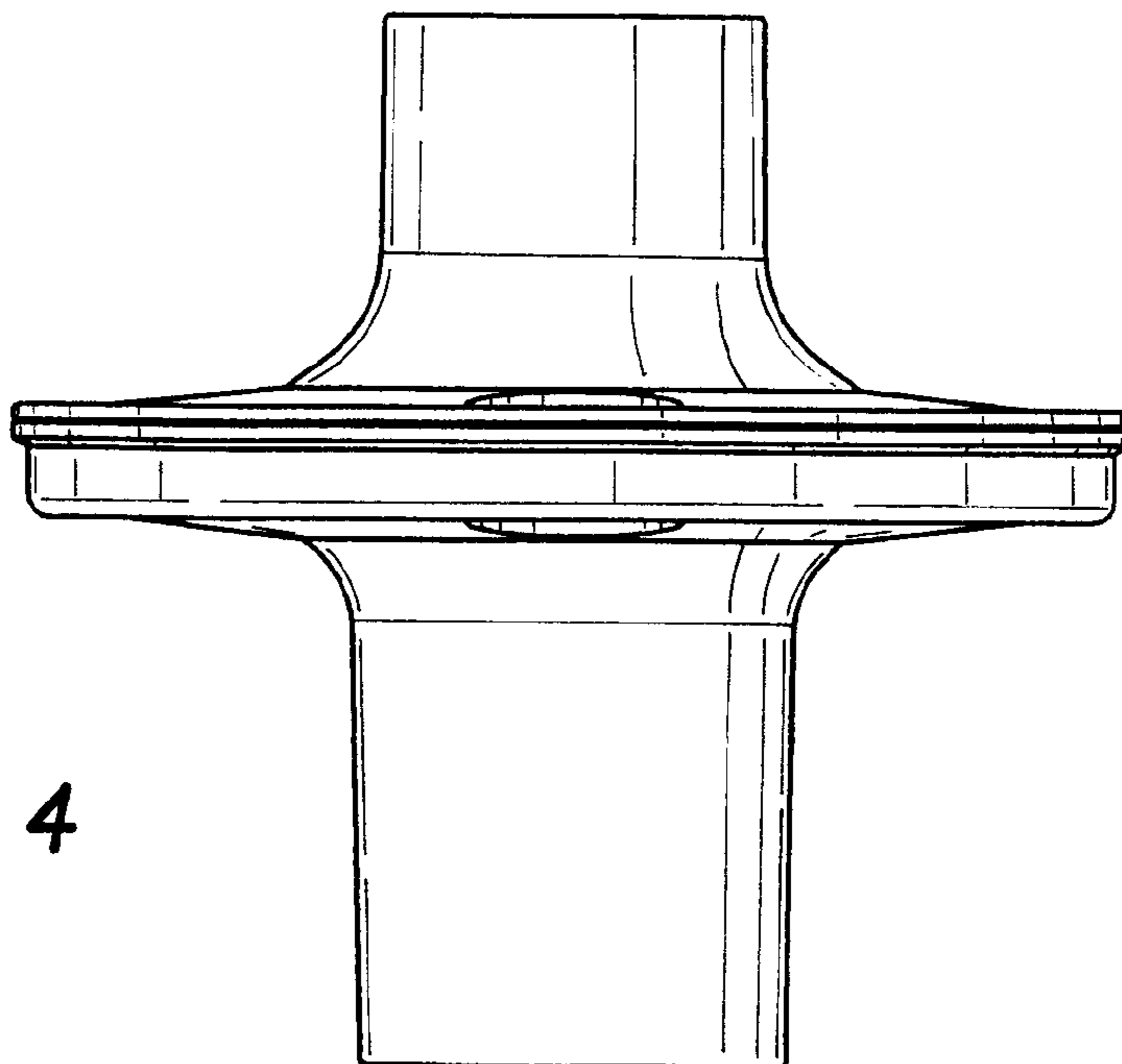


FIG. 4

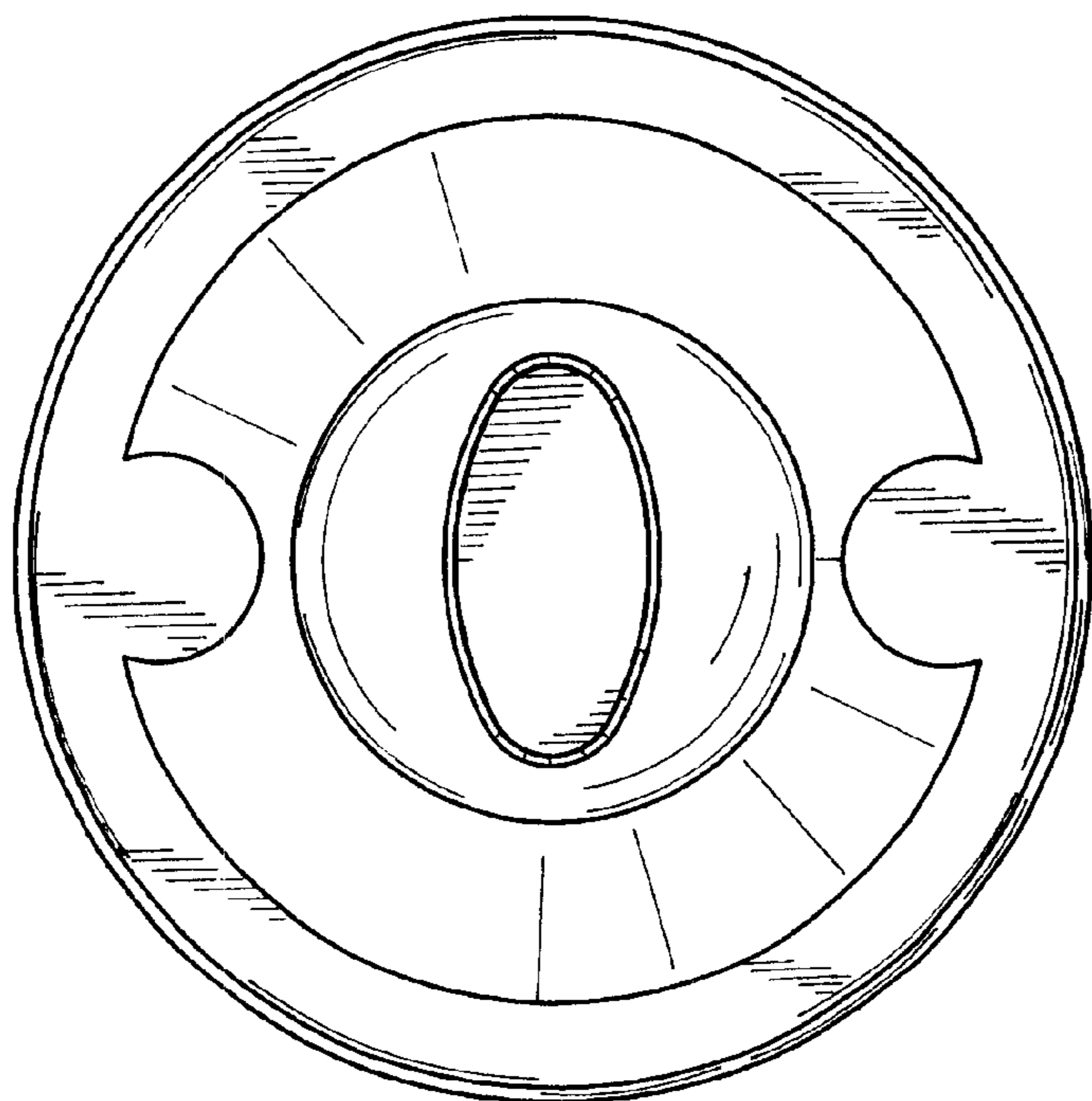


FIG. 5

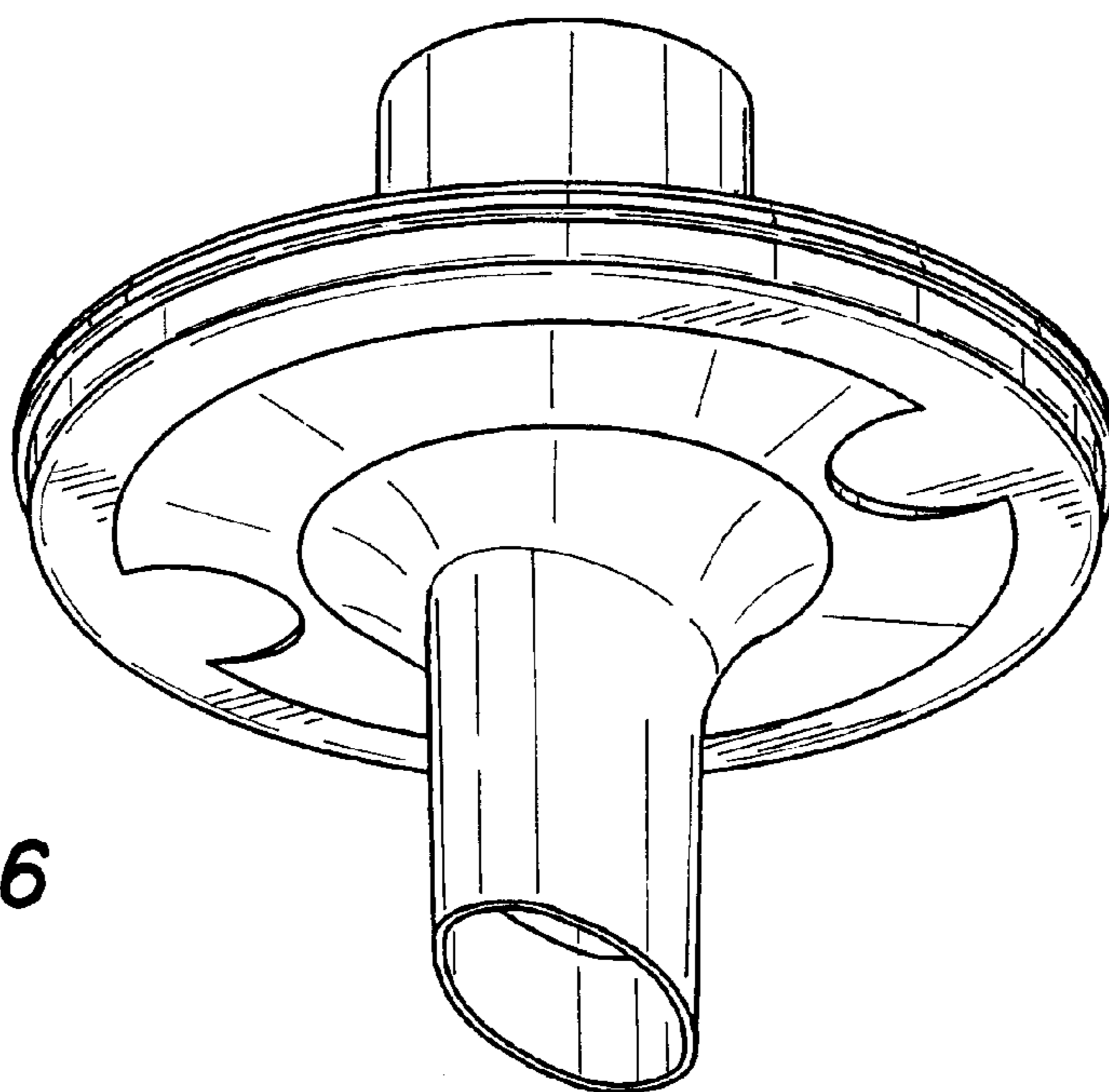


FIG. 6