

US00D535744S

(12) **United States Design Patent**  
**Wright**

(10) **Patent No.:** **US D535,744 S**

(45) **Date of Patent:** **\*\* Jan. 23, 2007**

(54) **MUSCLE SURGERY INSTRUMENT**

(76) Inventor: **Kenneth W. Wright**, 19 Latigo La.,  
Rolling Hills Estates, CA (US) 90274

(\*\*) Term: **14 Years**

(21) Appl. No.: **29/234,314**

(22) Filed: **Jul. 18, 2005**

(51) **LOC (8) Cl.** ..... **24-02**

(52) **U.S. Cl.** ..... **D24/135; D24/147; D24/146**

(58) **Field of Classification Search** ..... D24/127,  
D24/128, 133, 135, 146, 147, 149; 606/4,  
606/5, 17, 53, 84, 107, 166, 161, 167, 160;  
600/160, 171, 213, 217, 235, 236, 562; D8/10-12,  
D8/20, 47, 93, 98; 30/339, 346, 346.55, 346.57;  
604/22

See application file for complete search history.

(56) **References Cited**

**U.S. PATENT DOCUMENTS**

273,821	A	*	3/1883	Crostwaite	433/144
1,359,870	A	*	11/1920	Buckland	606/161
1,621,212	A	*	3/1927	Myers et al.	606/160
2,117,312	A	*	5/1938	Gauly	606/1
3,834,393	A	*	9/1974	Goggins	606/84
D238,173	S	*	12/1975	Tokarek et al.	D24/149
4,878,487	A	*	11/1989	Sinnett	600/236
D314,826	S	*	2/1991	Torre	D24/135
5,112,328	A	*	5/1992	Taboada et al.	606/4
5,114,397	A	*	5/1992	Tokarek et al.	600/11
5,451,230	A	*	9/1995	Steinert	606/107
6,096,026	A	*	8/2000	Schultz	606/1
6,428,553	B1	*	8/2002	Trese	606/161
6,692,502	B1	*	2/2004	Ertl et al.	606/86
6,755,815	B1	*	6/2004	Schultz	606/1
D497,036	S	*	10/2004	La Magna et al.	D28/57
6,926,728	B1	*	8/2005	Zucherman et al.	606/190
2001/0034535	A1	*	10/2001	Schultz	606/190
2003/0093099	A1	*	5/2003	Anthone	606/166
2005/0149059	A1	*	7/2005	Tang	606/107
2006/0106370	A1	*	5/2006	Baerveldt et al.	606/4

**OTHER PUBLICATIONS**

Aloe Medical, Item No. C4147 "Trylon Tyding Tonsil Knife", Brunswick Corporation 1965, Instruments Diagnostic/Surgical, Catalog No. 220, p. 92.\*

J. Sklar Mfg. Co., Inc., surgical Instruments Suction and Pressure Apparatus 1982, J. Sklar Mfg. Co., Inc., 20th Edition, pp. 177 (Item No. 47-2360 "Dissector"), 187 (Item No. 47-2360 "Frazier" & 50-1585 "Adson"), & 246 (Item No. 65-3210 "Smith" & 65-3217 "Graefe").\*

Small Joint Arthroscopy Knives (Item No. 9975 "Smillie Blade", 1pp including 1pp of photos, [online], [retrieved on Aug. 14, 2006], Retrieved from Internet, <URL:www.conmed.com/linvatecproductimages/9973SmallJointArthroKnives.jpg>.\*

Breast Dissectors (Item No. ASSI AB 13326 "Angulated Blade", 1pp including 1pp of photos, [online], [retrieved on Aug. 14, 2006]. Retrieved from Internet, <URL:www accuratesurgical.com/accuratesurgical/Docs/breast\_instrumentation/dissectors/6.asp>.\*

\* cited by examiner

*Primary Examiner*—Jeffrey Asch

*Assistant Examiner*—Bridget L. Eland

(74) *Attorney, Agent, or Firm*—Morland C. Fischer

(57) **CLAIM**

The ornamental design for a muscle surgery instrument, as shown and described.

**DESCRIPTION**

FIG. 1 is a perspective view showing the top, front and left side of a muscle surgery instrument which forms my new design, the broken lines of a handle in this and other figures being for illustrative purposes only and forming no part of my design;

FIG. 2 is an enlargement of the muscle surgery instrument shown in FIG. 1 without the handle;

FIG. 3 is a left side elevational view thereof;

FIG. 4 is a right side elevational view thereof;

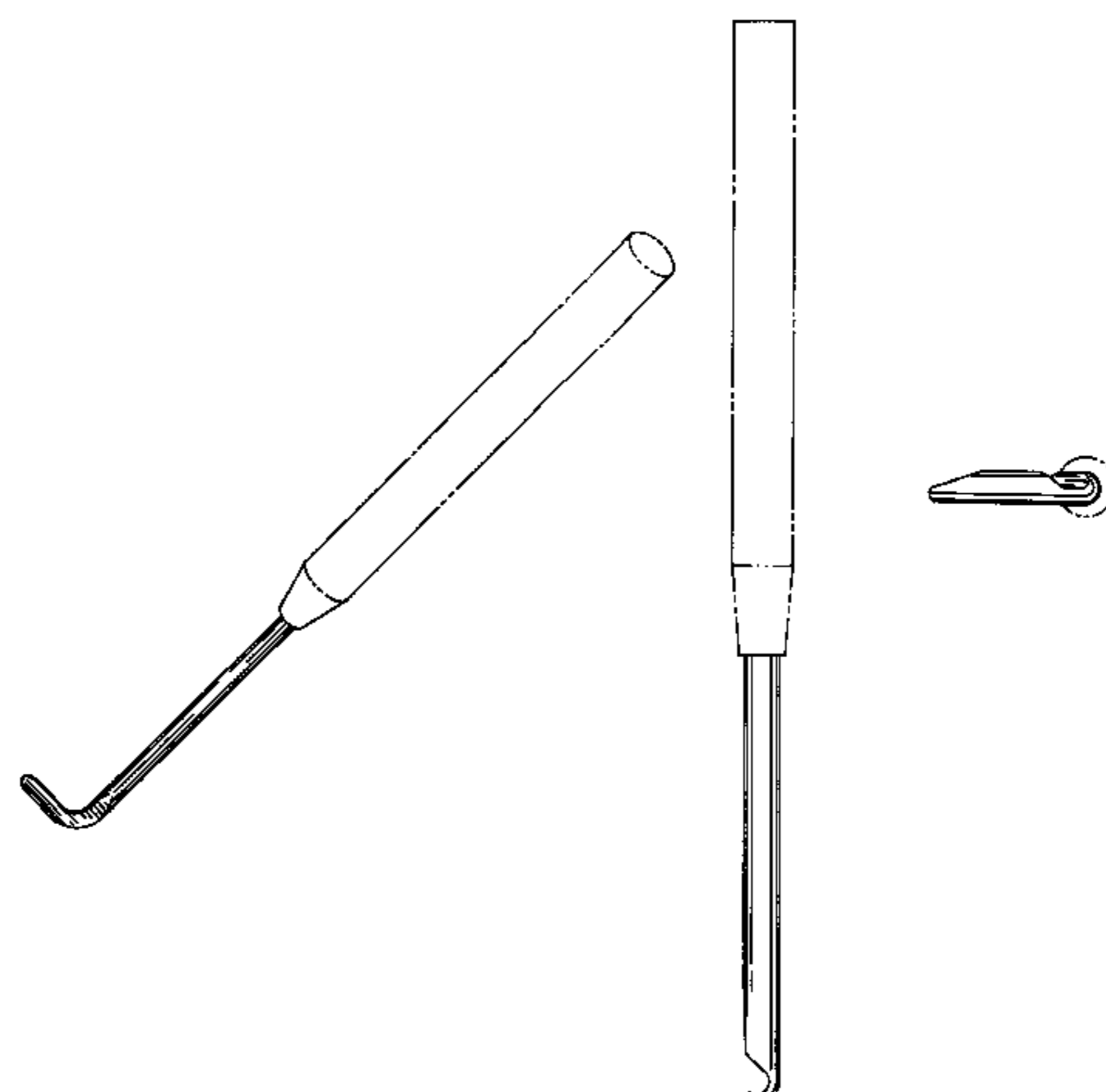
FIG. 5 is a rear elevational view thereof;

FIG. 6 is a front elevational view;

FIG. 7 is a bottom plan view thereof; and,

FIG. 8 is a top plan view thereof.

**1 Claim, 3 Drawing Sheets**



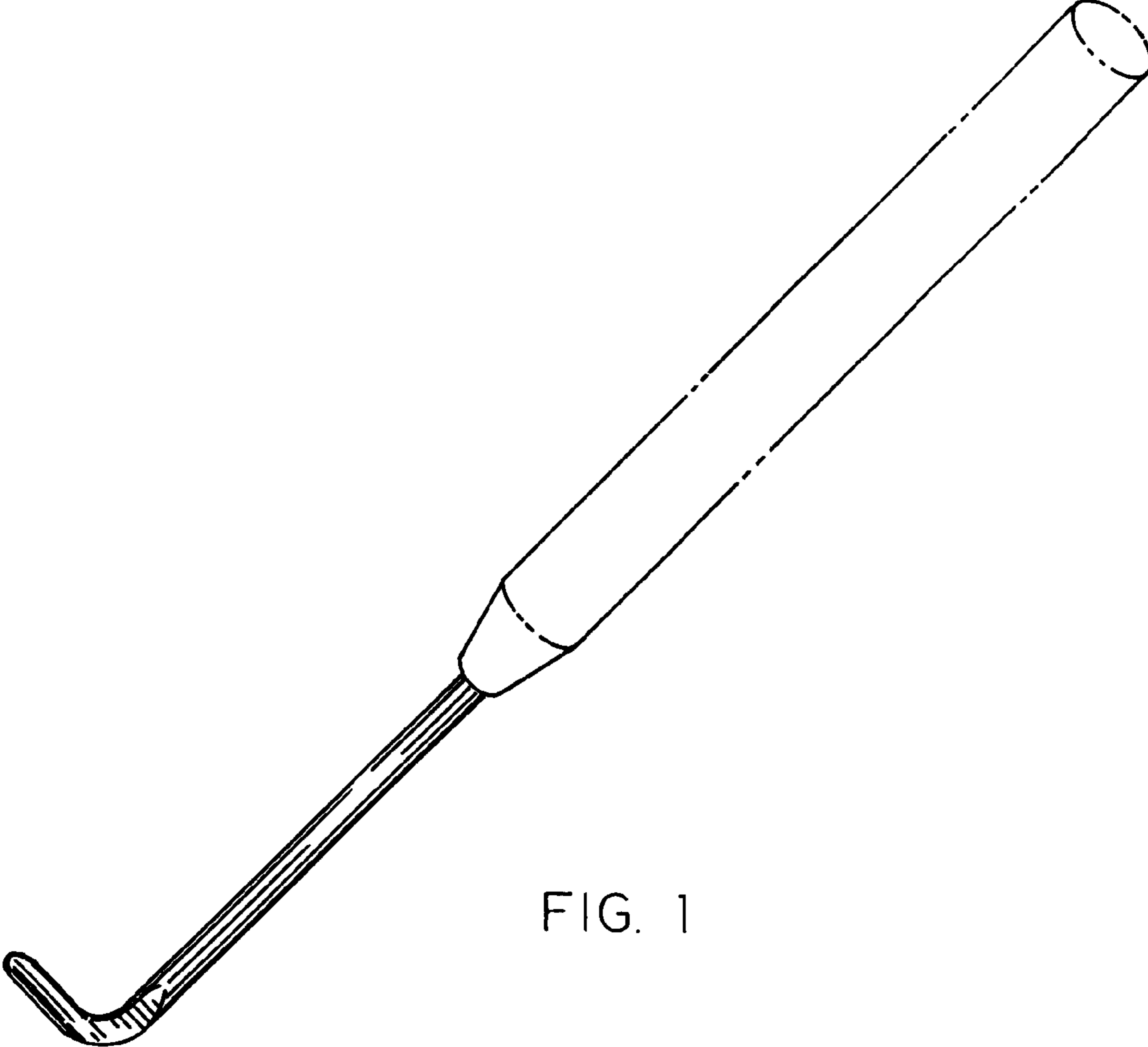


FIG. 1

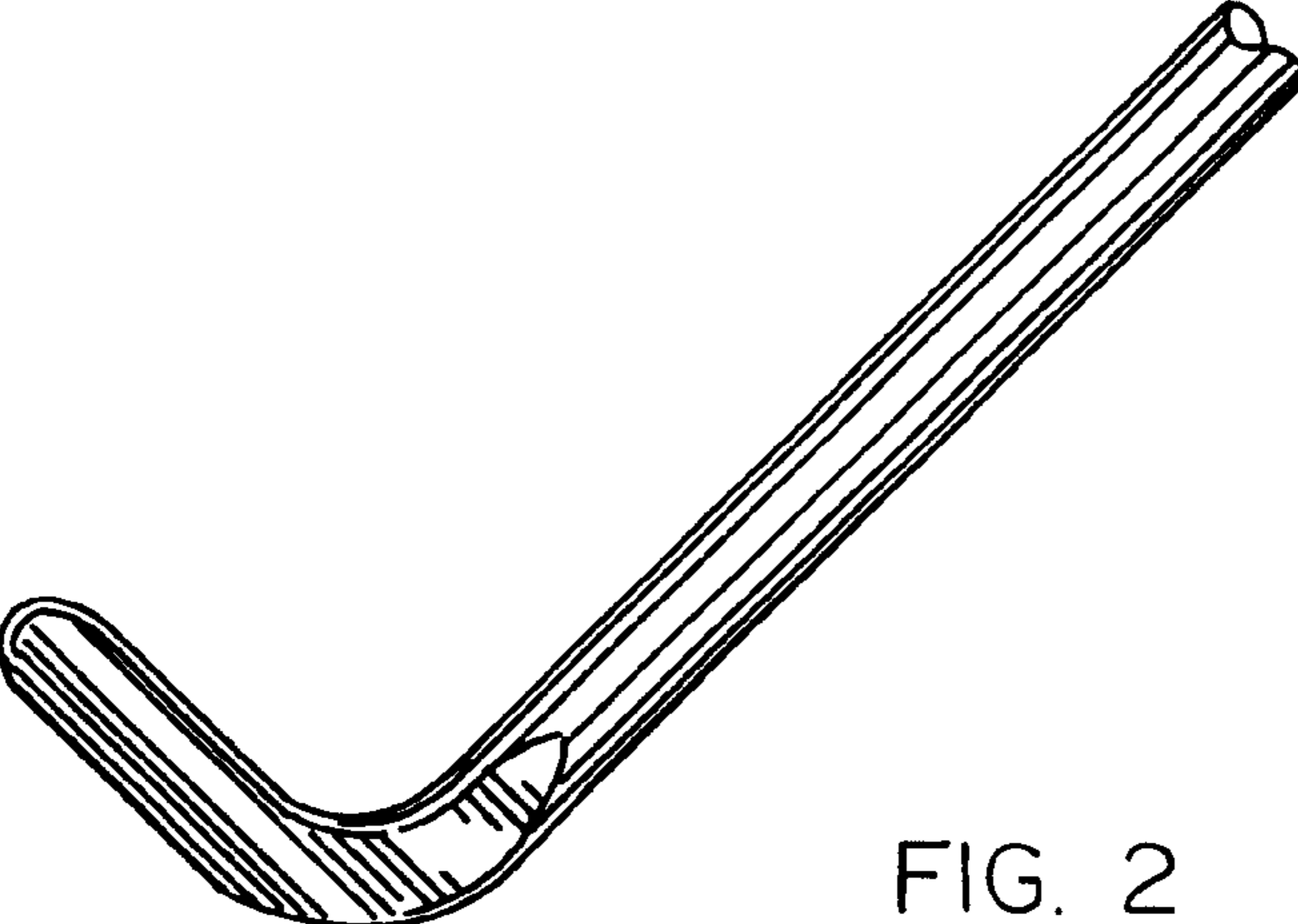


FIG. 2

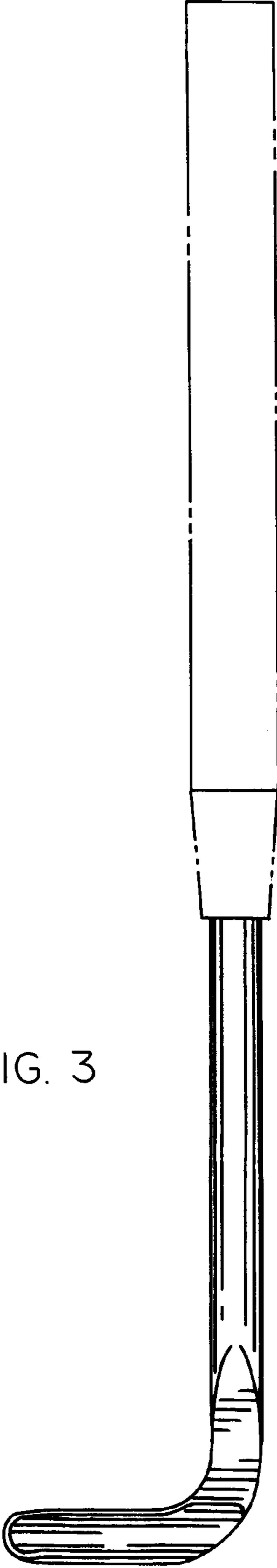


FIG. 3

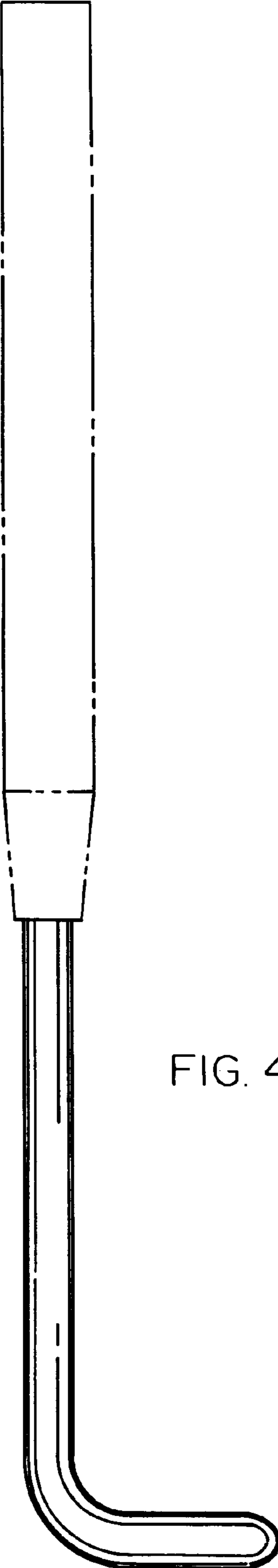


FIG. 4

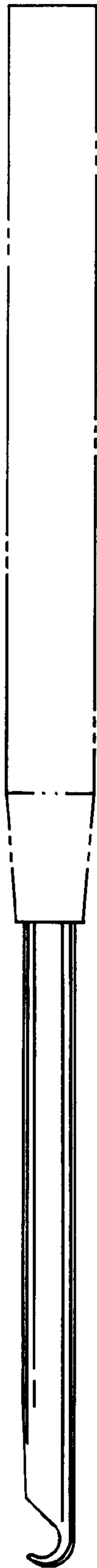


FIG. 5

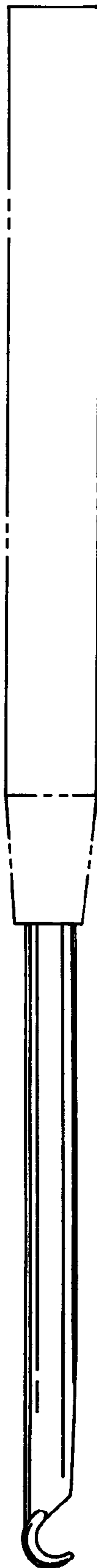


FIG. 6

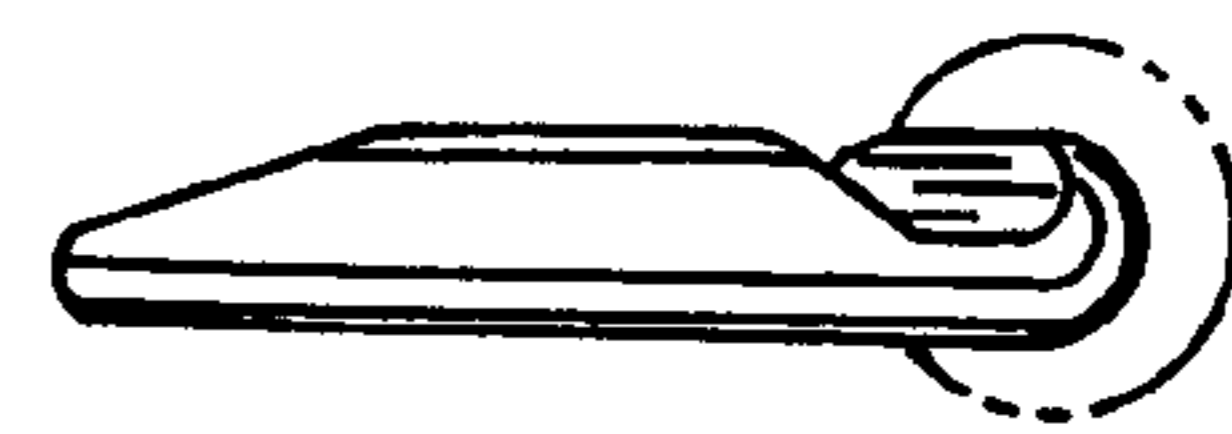


FIG. 7

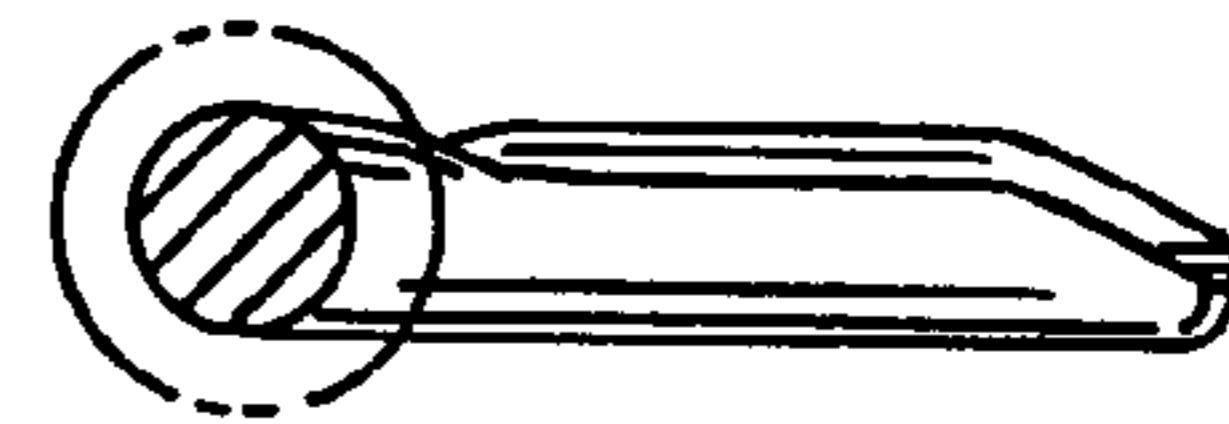


FIG. 8