



US00D535742S

(12) **United States Design Patent**
VonDohlen et al.

(10) **Patent No.:** **US D535,742 S**
(45) **Date of Patent:** **** Jan. 23, 2007**

(54) **PATIENT INTERFACE DEVICE**

(75) Inventors: **Chris VonDohlen**, Columbus, OH (US); **Luke Stonis**, Columbus, OH (US); **Keith Grider**, Columbus, OH (US); **Greg Merz**, Gahanna, OH (US); **Jerome Matula, Jr.**, Monroeville, PA (US); **Steven C. Stegman**, Gibsonia, PA (US)

(73) Assignee: **RIC Investments, Inc.**, Wilmington, DE (US)

(**) Term: **14 Years**

(21) Appl. No.: **29/235,146**

(22) Filed: **Jul. 28, 2005**

(51) **LOC (8) Cl.** **29-02**

(52) **U.S. Cl.** **D24/110.4**

(58) **Field of Classification Search** D24/110, D24/110.1-110.6; 128/207.11, 207.13, 207.17, 128/207.18, 207.21, 205.25, 201.13, 206.23
See application file for complete search history.

(56) **References Cited**

U.S. PATENT DOCUMENTS

4,367,735	A	1/1983	Dali	
4,782,832	A	11/1988	Trimble et al.	
4,919,128	A	4/1990	Kopala et al.	
5,724,965	A	3/1998	Handke et al.	
D398,987	S *	9/1998	Cotner et al. D24/110.4
6,019,101	A	2/2000	Cotner et al.	
6,119,694	A	9/2000	Correa et al.	
6,595,215	B1	7/2003	Wood	
2003/0145857	A1	8/2003	Sullivan et al.	
2003/0172936	A1	9/2003	Wilkie et al.	
2004/0025885	A1	2/2004	Payne, Jr.	
2005/0028822	A1	2/2005	Sleeper et al.	

2005/0199242	A1 *	9/2005	Matula et al.	128/207.13
2005/0205096	A1 *	9/2005	Matula et al.	128/207.11
2005/0241644	A1 *	11/2005	Gunaratnam et al.	..	128/207.18

FOREIGN PATENT DOCUMENTS

WO WO 2004/073778 A1 9/2004

OTHER PUBLICATIONS

REDMED, "Mirage Swift™ Nasal Pillows System from ResMed", 2004, ResMed Ltd.

* cited by examiner

Primary Examiner—Antoine D. Davis

Assistant Examiner—Christopher Lee

(74) *Attorney, Agent, or Firm*—Michael W. Haas

(57) **CLAIM**

The ornamental design for a patient interface device, as shown and described.

DESCRIPTION

FIG. 1 is a front perspective view of an embodiment of a patient interface device according to our new design; FIG. 2 is a front elevational view of the patient interface device shown in FIG. 1;

FIG. 3 is a rear elevational view of the patient interface device shown in FIG. 1;

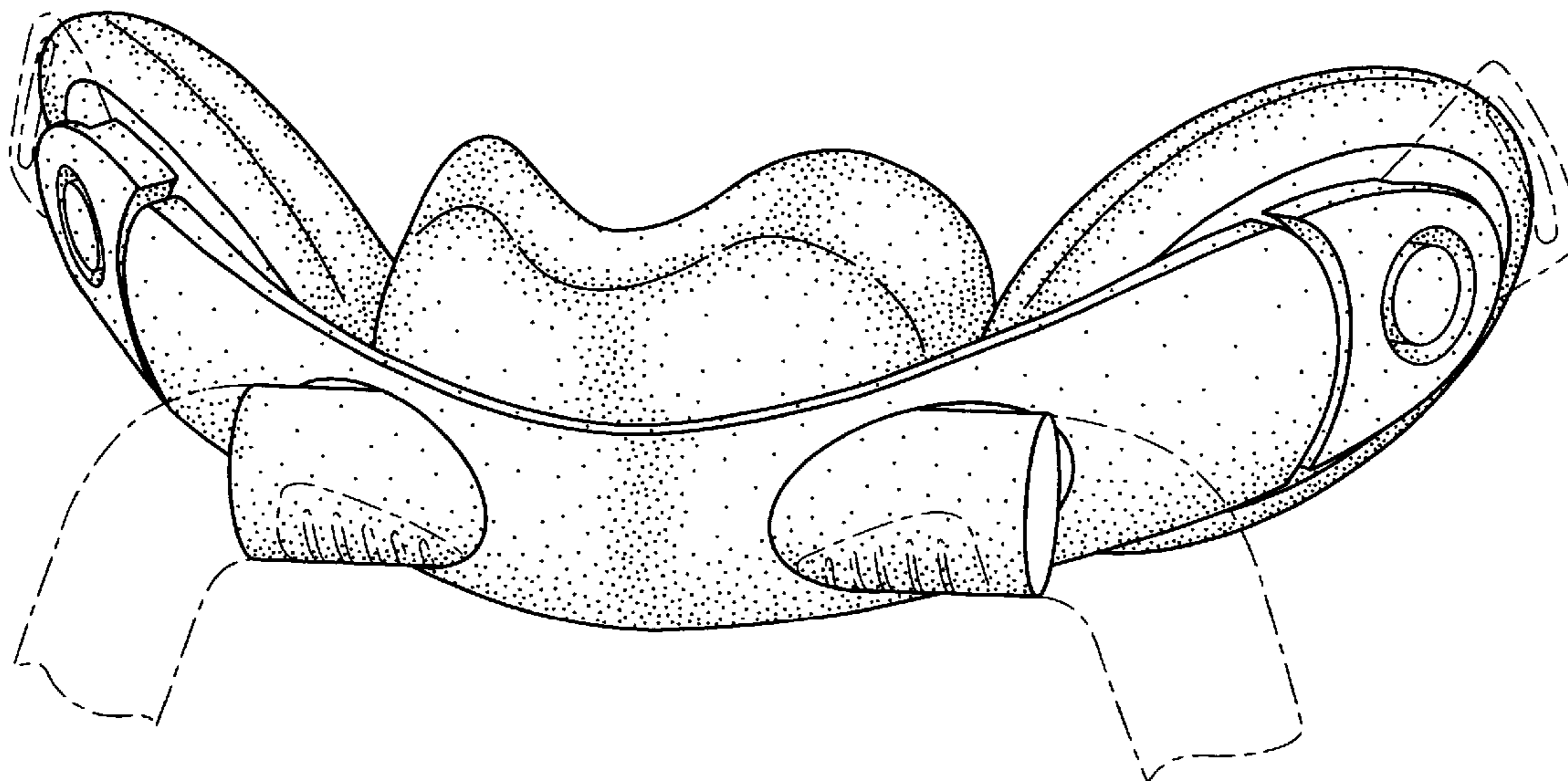
FIG. 4 is a left side elevational view of the patient interface device shown in FIG. 1, the right side elevational view being similar thereto;

FIG. 5 is a top plan view of the patient interface device shown in FIG. 1; and,

FIG. 6 is a bottom plan view of the patient interface device shown in FIG. 1.

The portions drawn in broken lines are shown for illustrative purposes only and form no part of the claimed design.

1 Claim, 6 Drawing Sheets



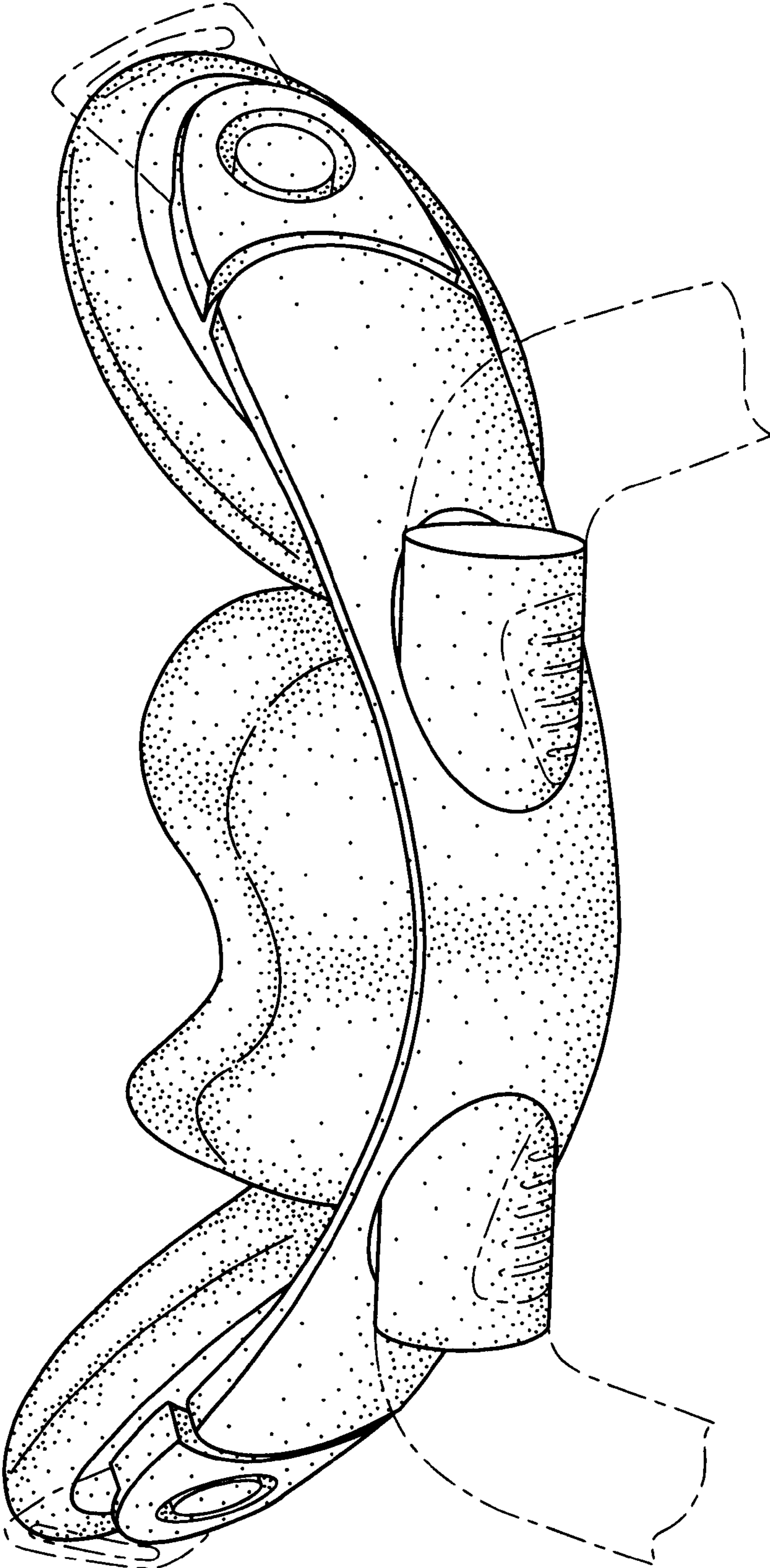


Fig. 1

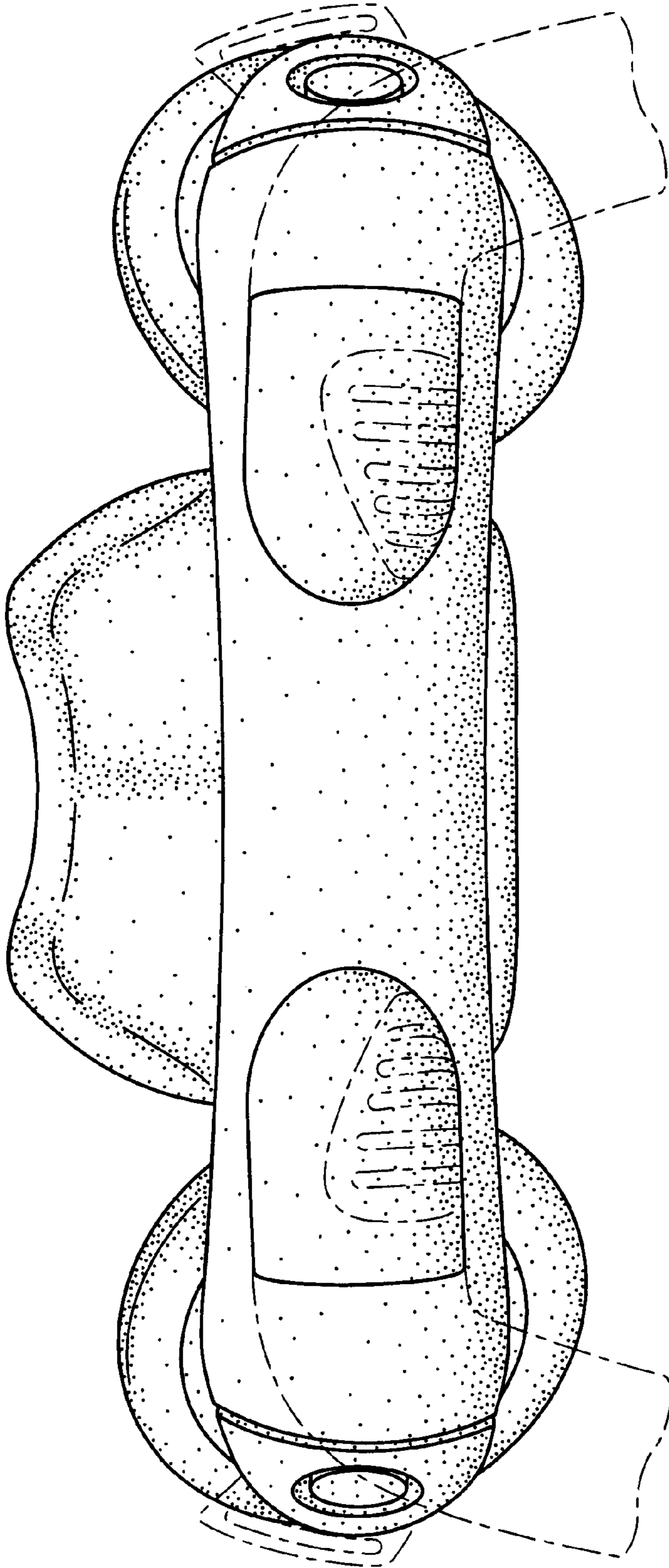


Fig. 2

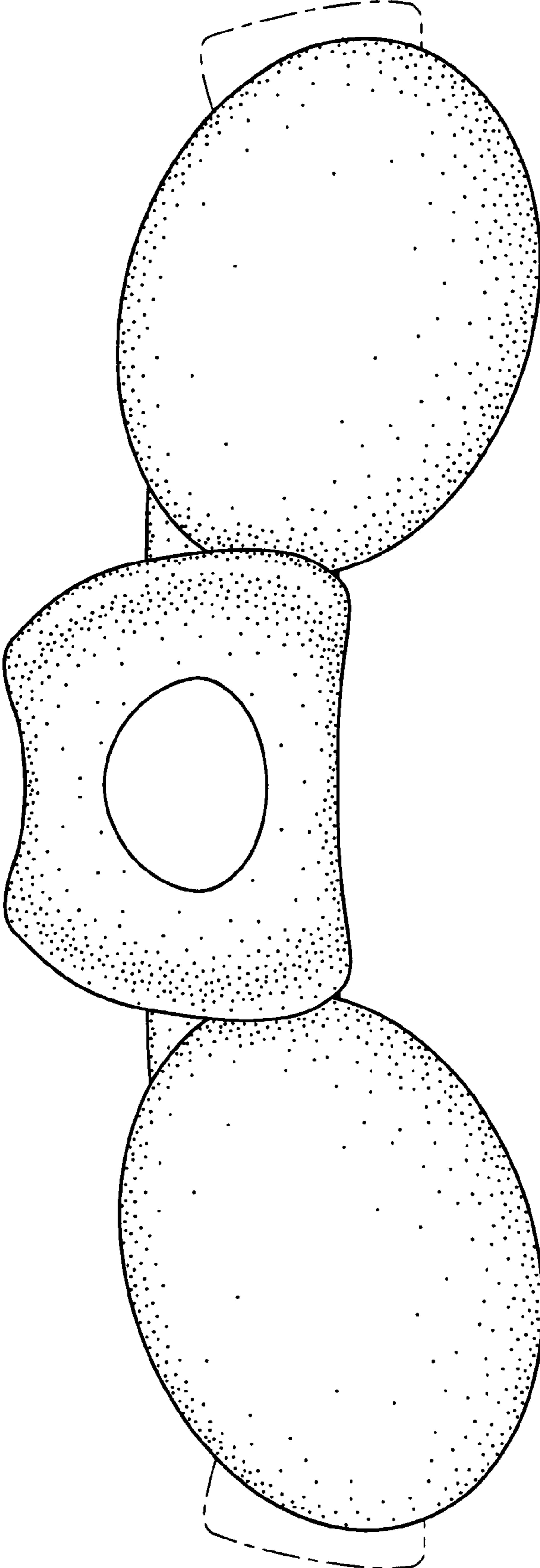


Fig. 3

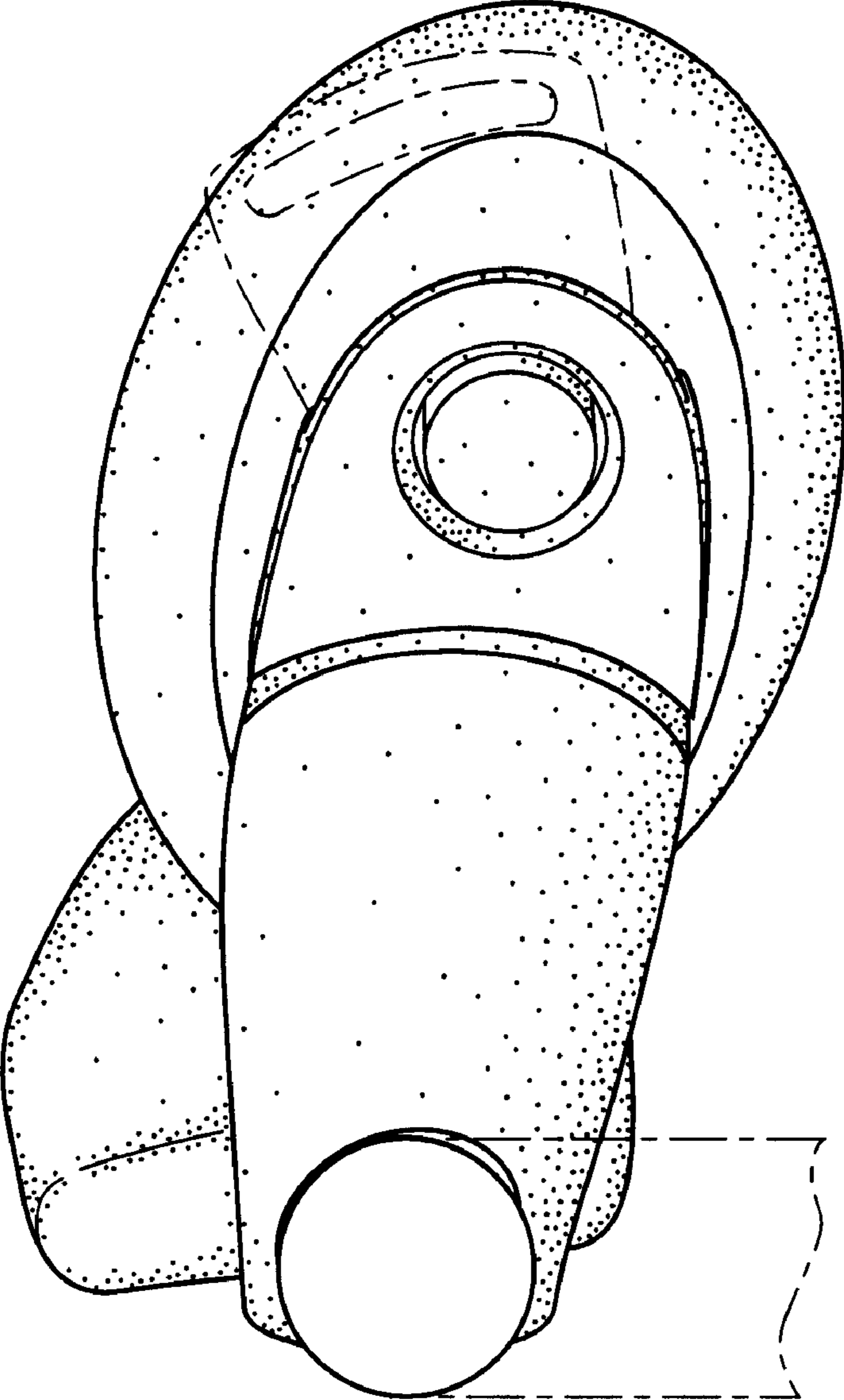


Fig. 4

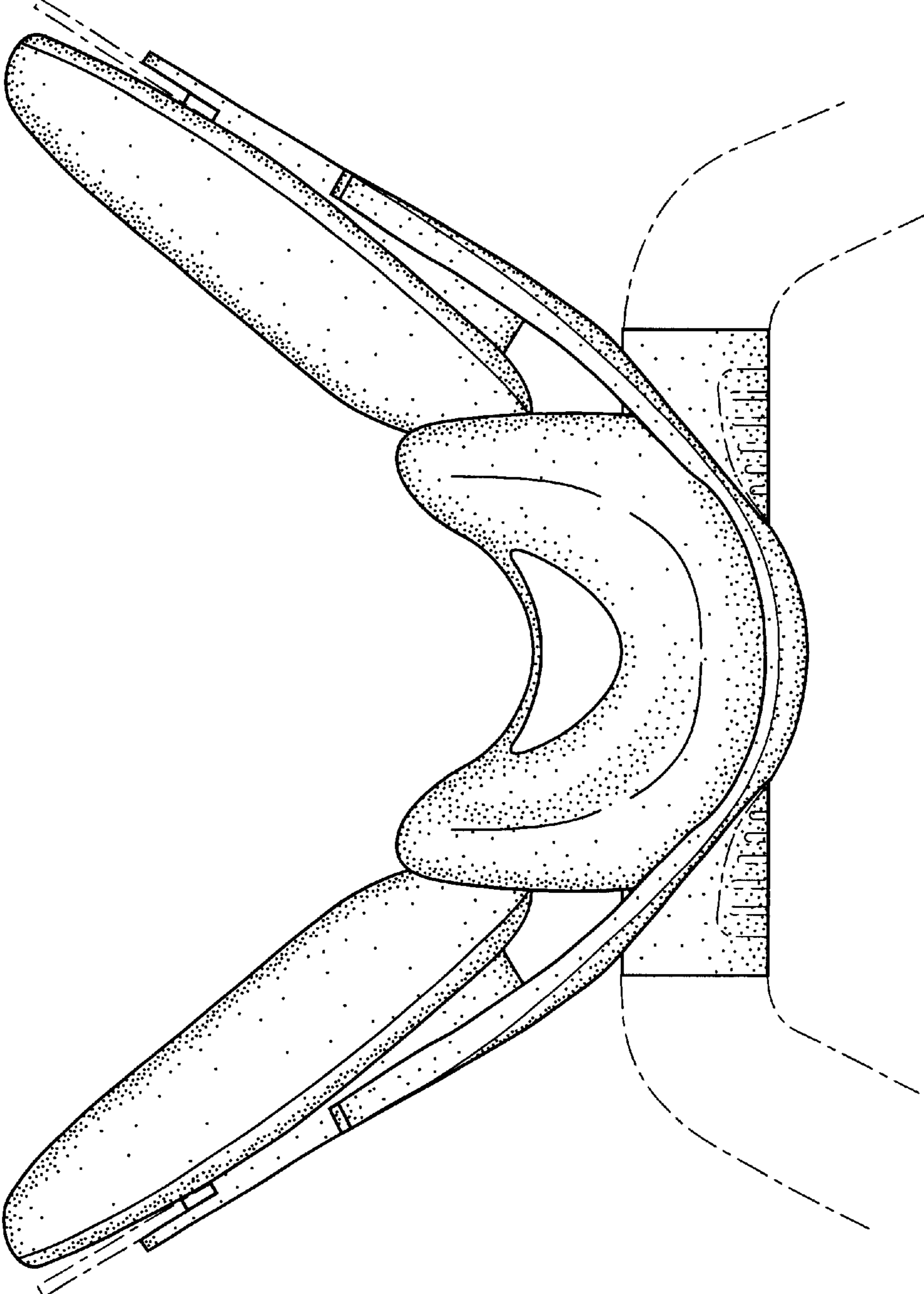


Fig. 5

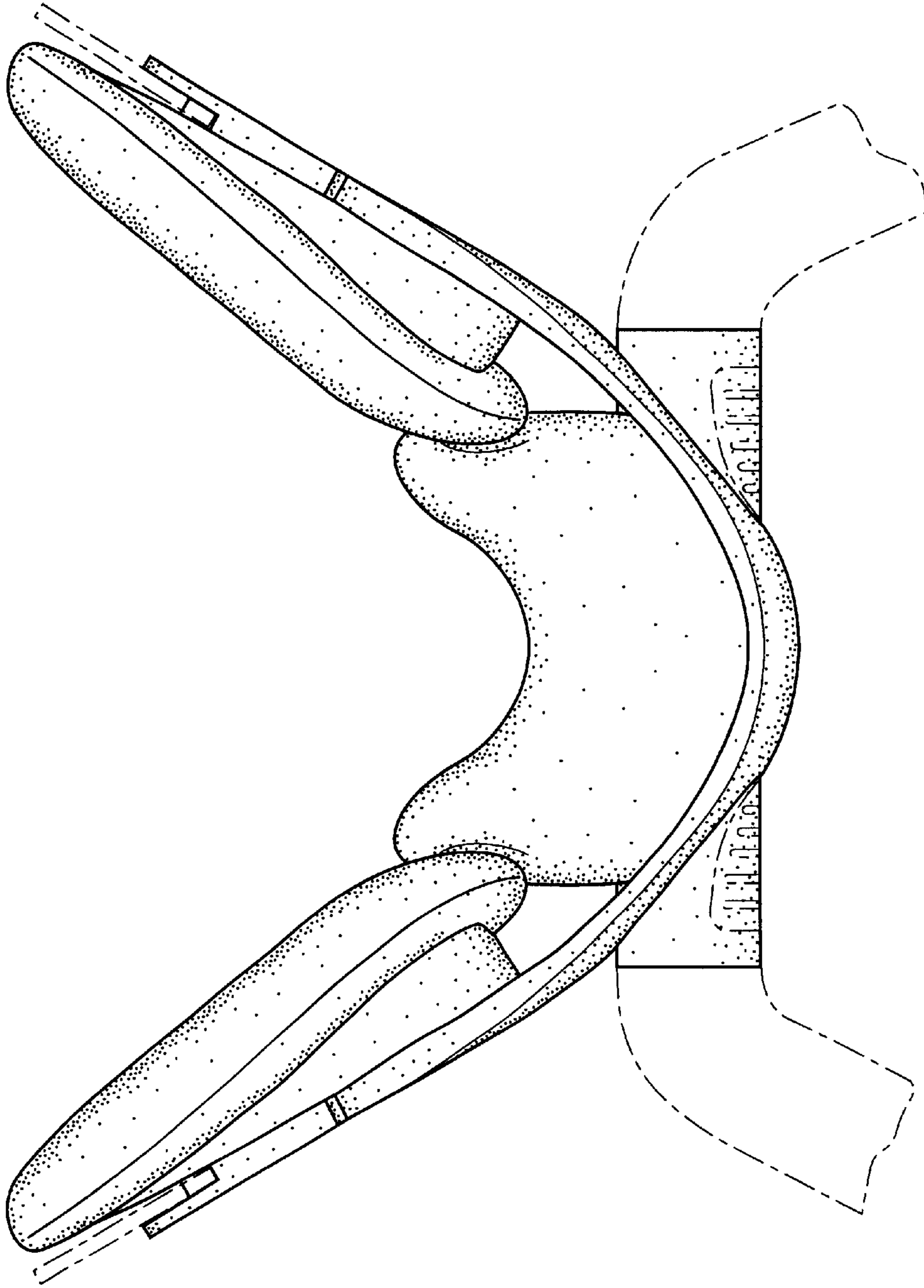


Fig. 6