



US00D535740S

(12) **United States Design Patent**
Brown et al.

(10) **Patent No.:** **US D535,740 S**

(45) **Date of Patent:** **** Jan. 23, 2007**

(54) **BUOYANT LAMP**

(75) Inventors: **Michael Brown**, Orleans (CA); **Andy Neathway**, Almonte (CA)

(73) Assignee: **Brown Fox Products Inc.**, Orleans (CA)

(**) Term: **14 Years**

(21) Appl. No.: **29/235,288**

(22) Filed: **Aug. 1, 2005**

(51) **LOC (8) Cl.** **26-05**

(52) **U.S. Cl.** **D24/24**

(58) **Field of Classification Search** D26/24,
D26/26, 104, 85, 72; D14/163; 362/432,
362/404, 147

See application file for complete search history.

(56) **References Cited**

U.S. PATENT DOCUMENTS

D283,419 S * 4/1986 Johnson D14/163

D371,857 S * 7/1996 Gismondi D26/85
D468,460 S * 1/2003 Yu D26/26
D485,390 S * 1/2004 Stancik et al. D26/104

* cited by examiner

Primary Examiner—Stella Reid
Assistant Examiner—Angela J. Lee

(74) *Attorney, Agent, or Firm*—Freedman & Associates

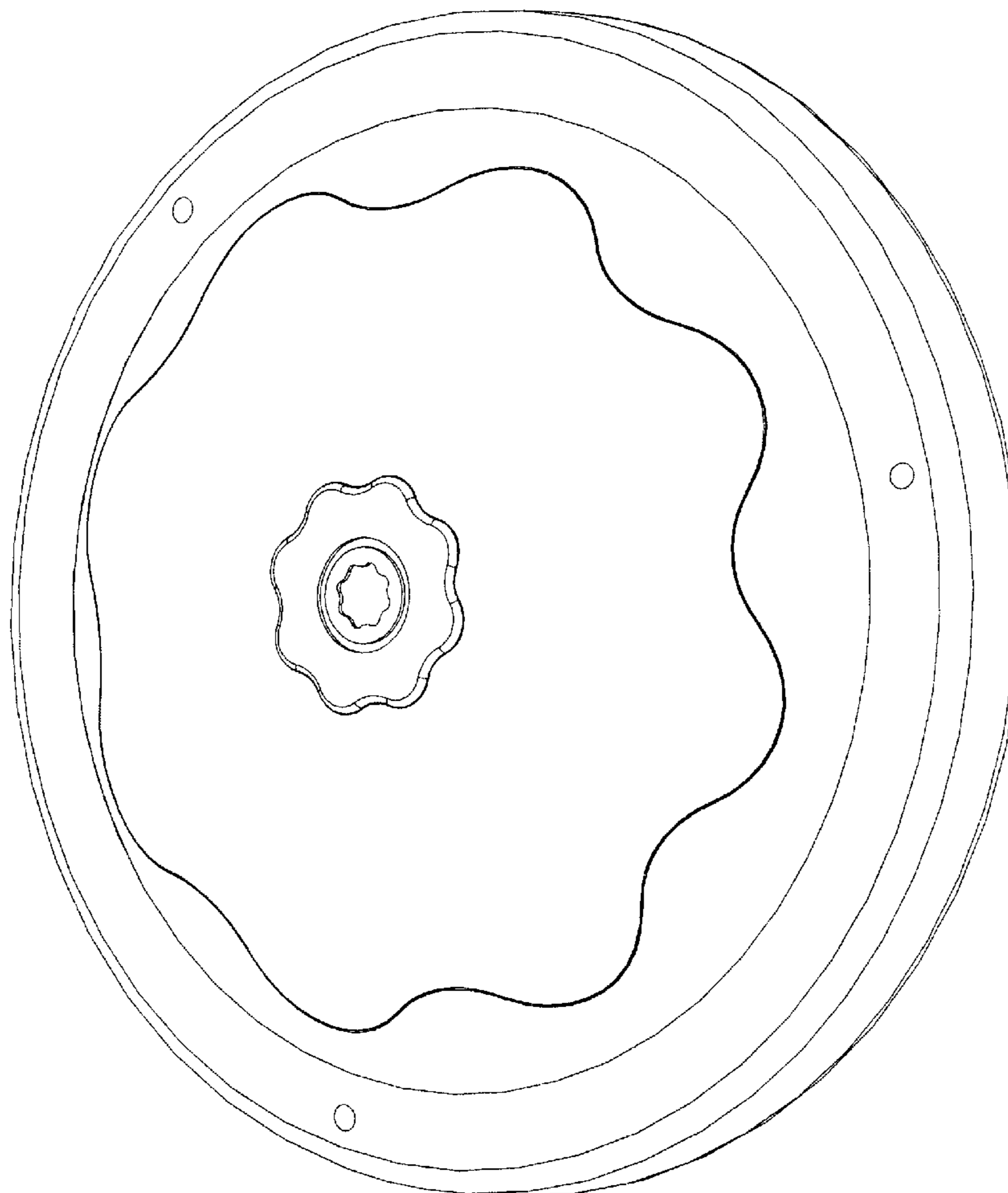
(57) **CLAIM**

The ornamental design for a buoyant lamp, as shown and described.

DESCRIPTION

FIG. 1 is a top view of the buoyant lamp;
FIG. 2 is a side view of the buoyant lamp;
FIG. 3 is a bottom view of the buoyant lamp;
FIG. 4 is a first perspective view of the buoyant lamp; and,
FIG. 5 is a second perspective view of the buoyant lamp.

1 Claim, 5 Drawing Sheets



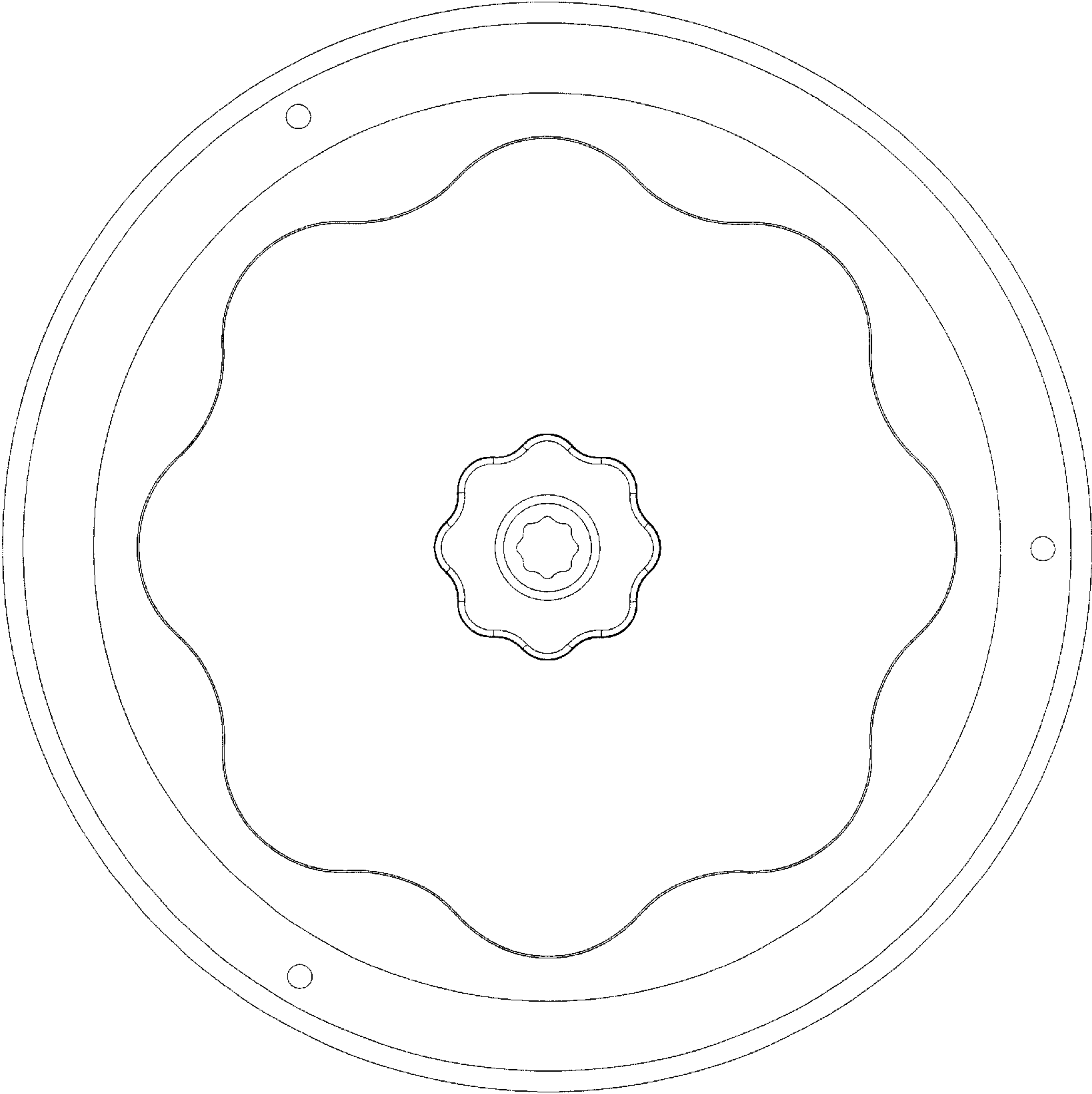


FIG. 1

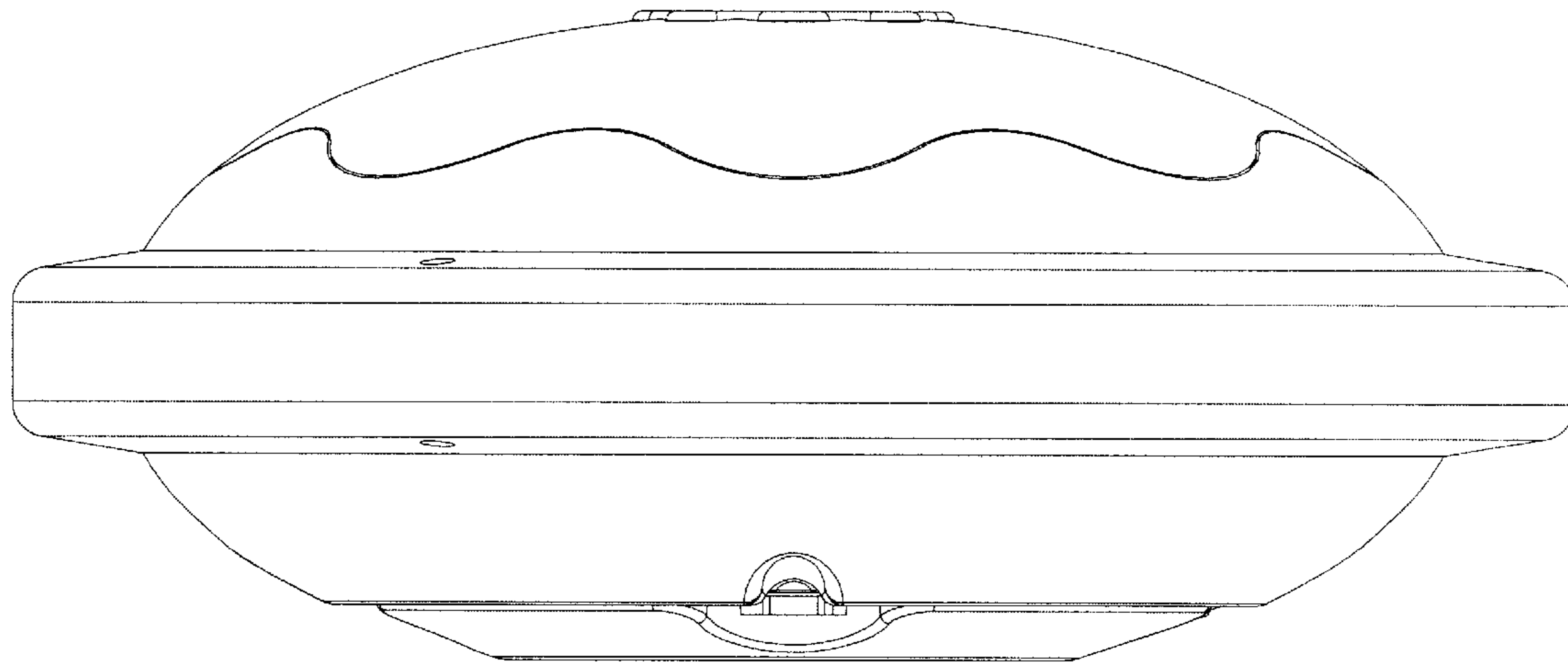


FIG. 2

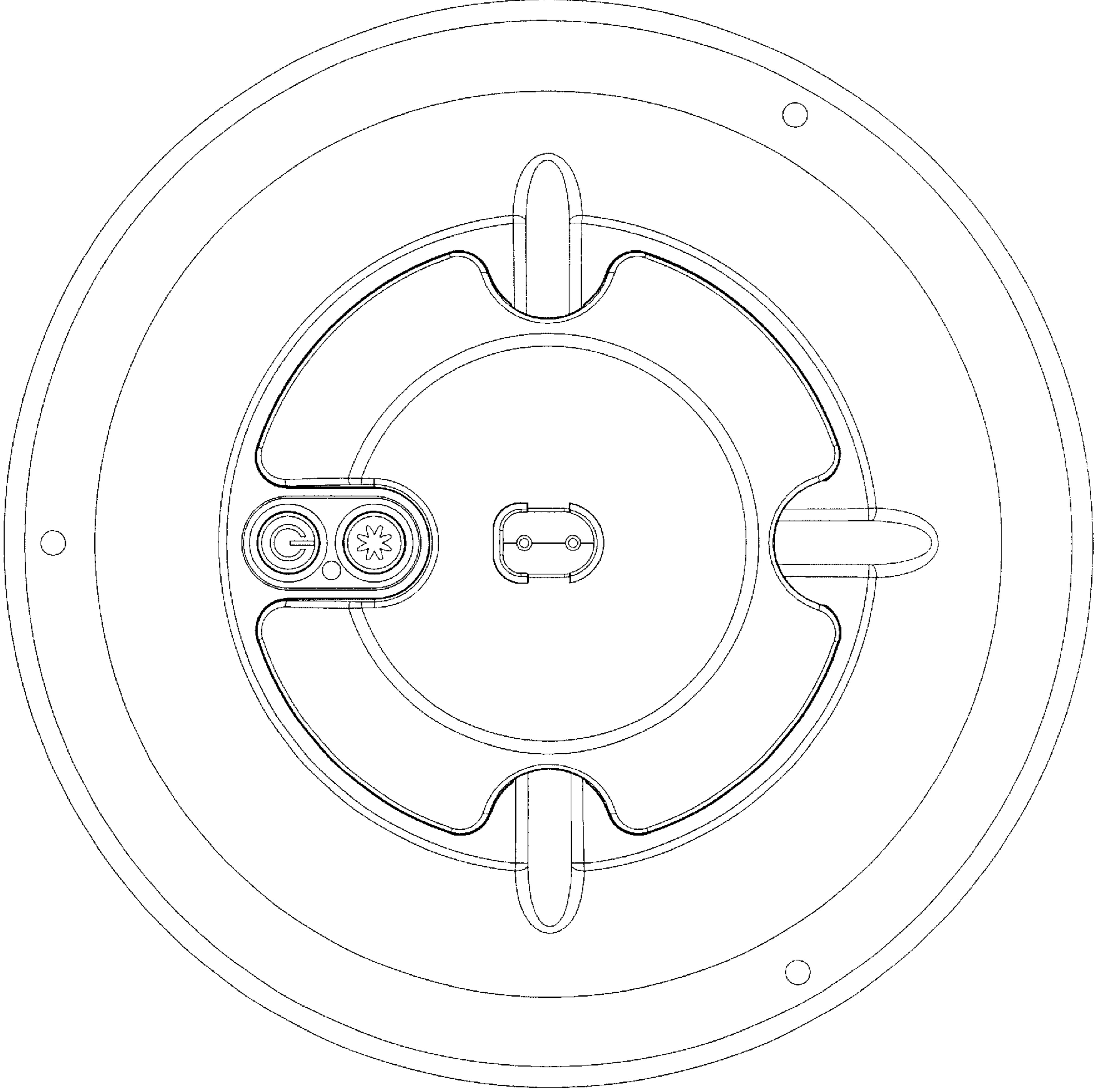


FIG. 3

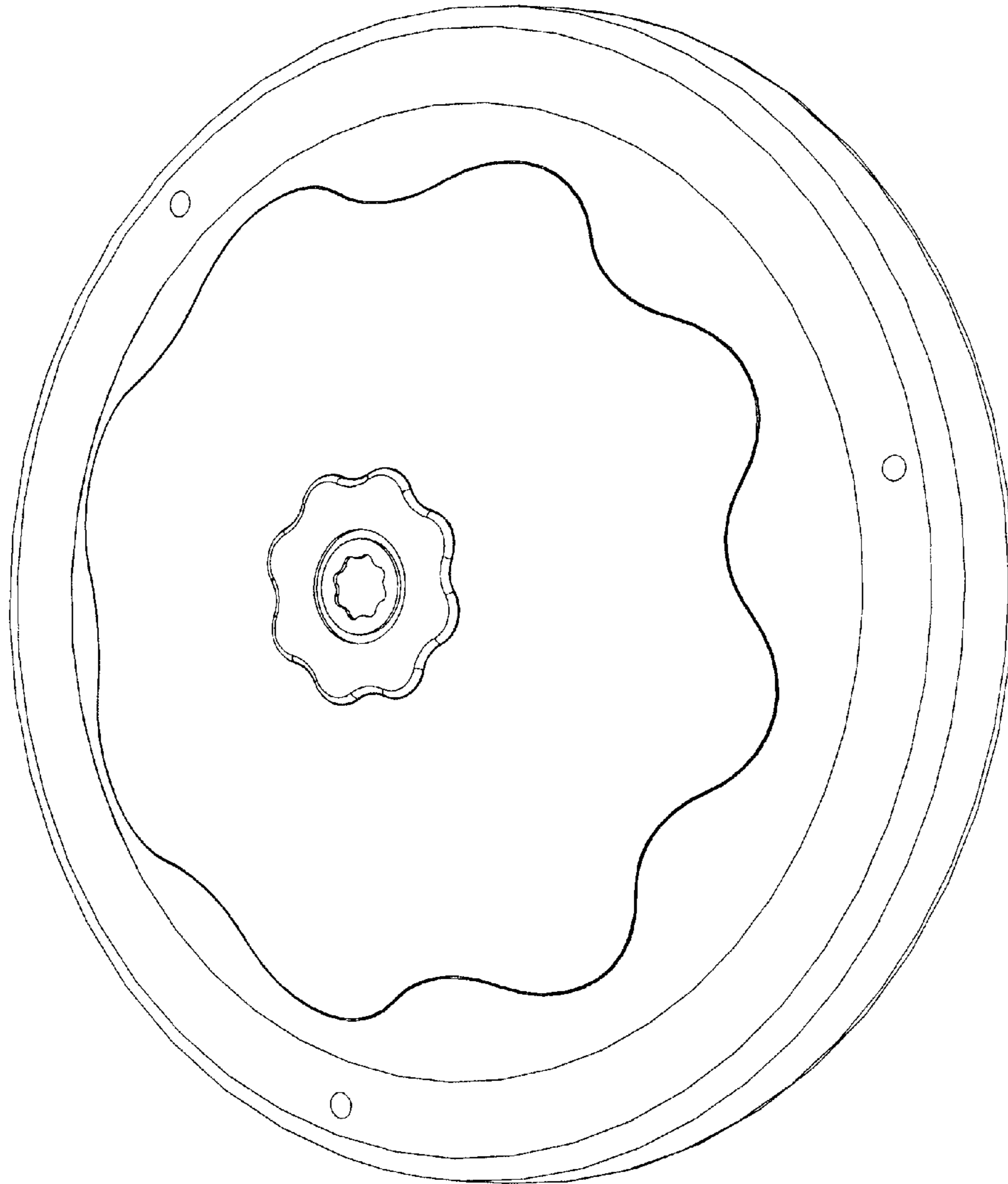


FIG. 4

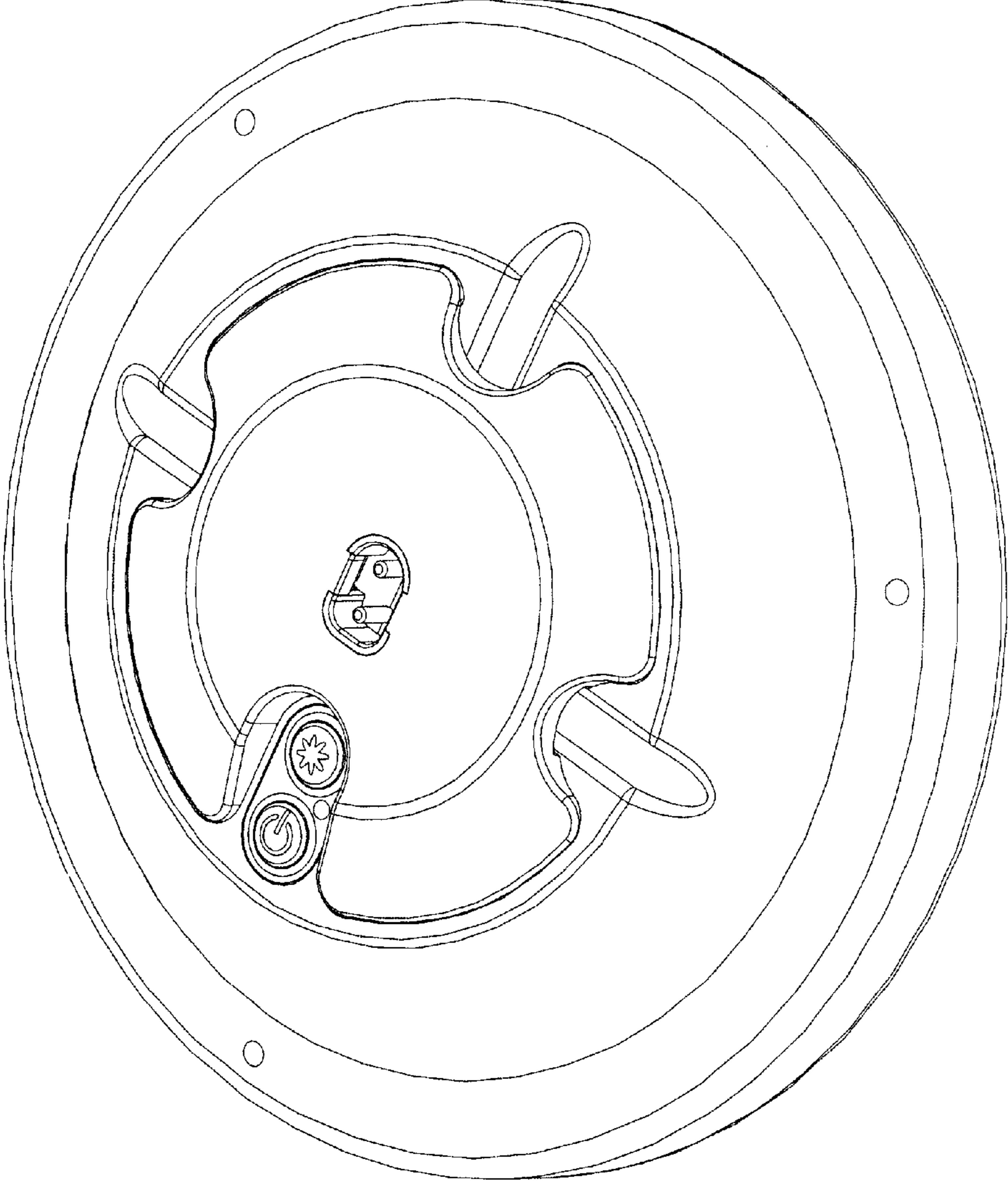


FIG. 5