



US00D535738S

(12) **United States Design Patent**  
**Pan**

(10) **Patent No.:** **US D535,738 S**

(45) **Date of Patent:** **\*\* Jan. 23, 2007**

(54) **COMBINED CEILING FAN MOTOR HOUSING AND LIGHT KIT**

(75) Inventor: **Peter Pan**, Taichung Hsien (TW)

(73) Assignee: **Air Cool Industrial Co., Ltd.**,  
Taichung Hsien (TW)

(\*\*) Term: **14 Years**

(21) Appl. No.: **29/254,015**

(22) Filed: **Feb. 16, 2006**

(51) **LOC (8) Cl.** ..... **23-04**

(52) **U.S. Cl.** ..... **D23/411**

(58) **Field of Classification Search** ..... D23/411,  
D23/413, 377, 379, 385; 416/5; D26/59,  
D26/51, 72, 80-86, 73  
See application file for complete search history.

(56) **References Cited**

**U.S. PATENT DOCUMENTS**

D348,729 S \* 7/1994 Mason ..... D23/411

D413,165 S \* 8/1999 Tsuji ..... D23/377

D424,680 S \* 5/2000 Wenzlick ..... D23/377

\* cited by examiner

*Primary Examiner*—Lisa Lichtenstein

(74) *Attorney, Agent, or Firm*—Troxell Law Office, PLLC

(57) **CLAIM**

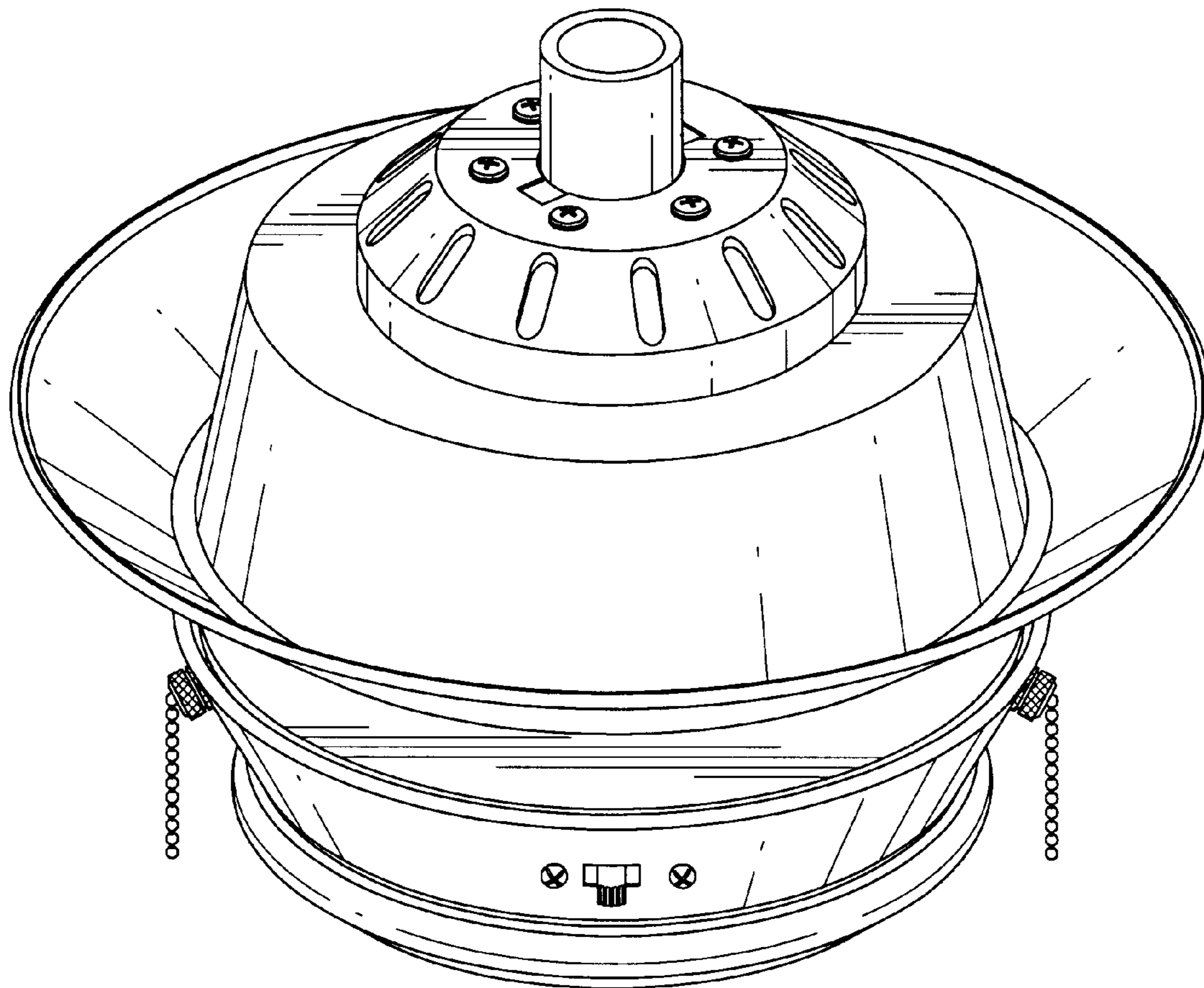
I claim the ornamental design for a combined ceiling fan motor housing and light kit, as shown and described.

**DESCRIPTION**

FIG. 1 is a front perspective view of a combined ceiling fan motor housing and light kit showing my new design; FIG. 2 is a front elevational view thereof; FIG. 3 is a rear elevational view thereof; FIG. 4 is a left side elevational view thereof; FIG. 5 is a right side elevational view thereof; FIG. 6 is a top plan view thereof; FIG. 7 is a bottom plan view thereof; and, FIG. 8 is a reduced front end view of the combined ceiling fan motor housing and light kit in accordance with my design, shown in its environment.

The broken lines in the views show environmental features, which are for illustrative purposes only and form no part of the claimed design.

**1 Claim, 8 Drawing Sheets**



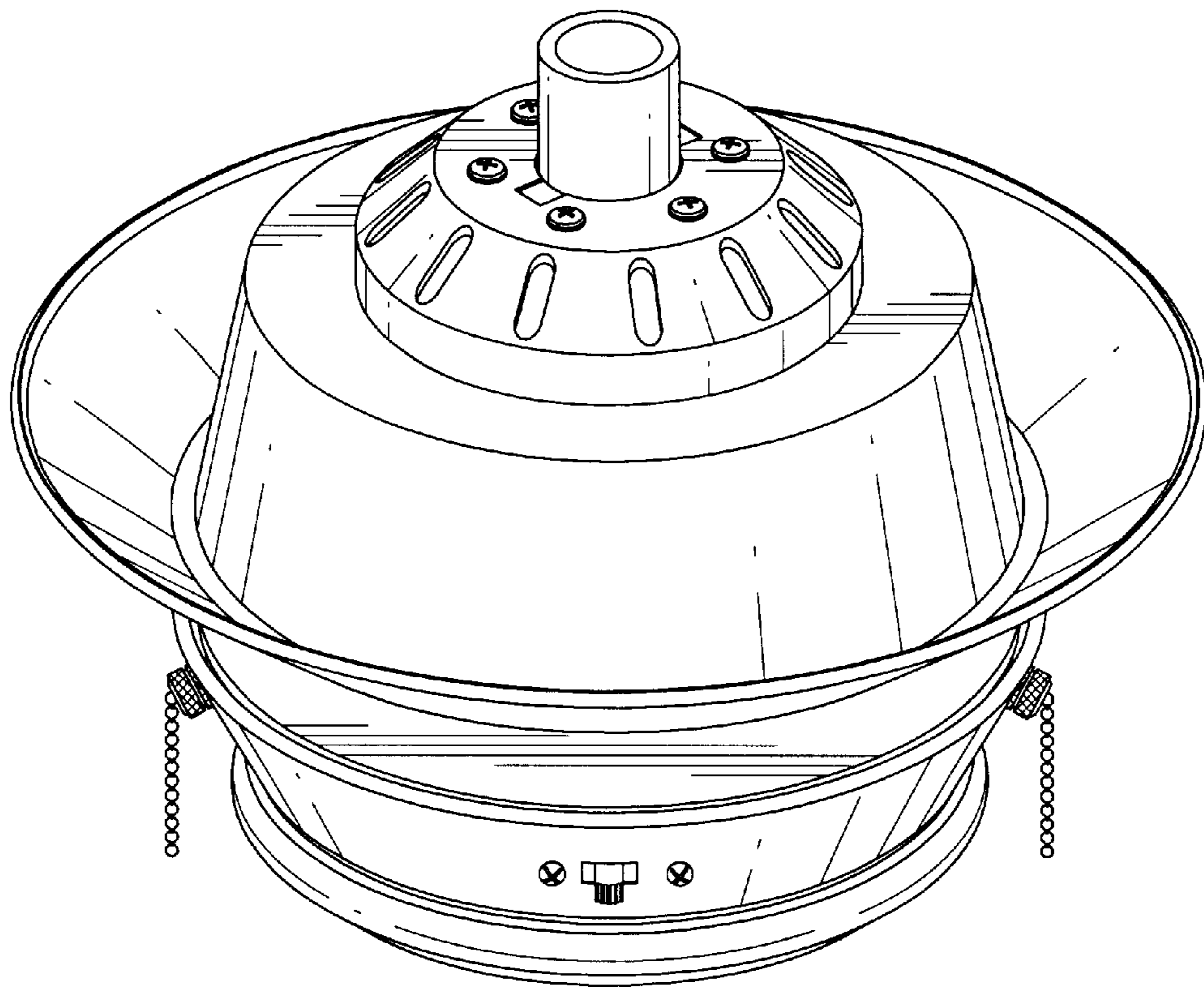


FIG. 1

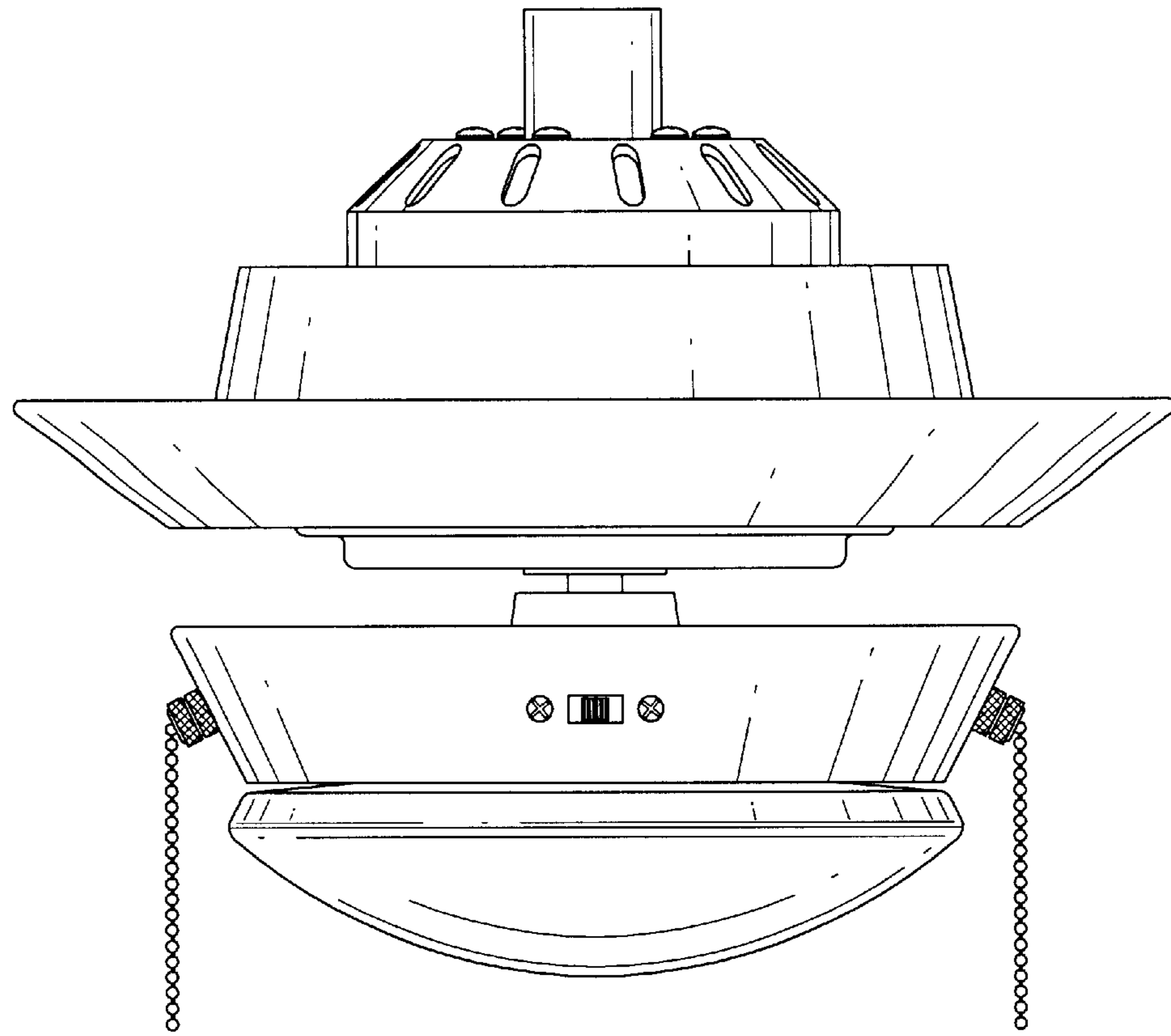


FIG. 2

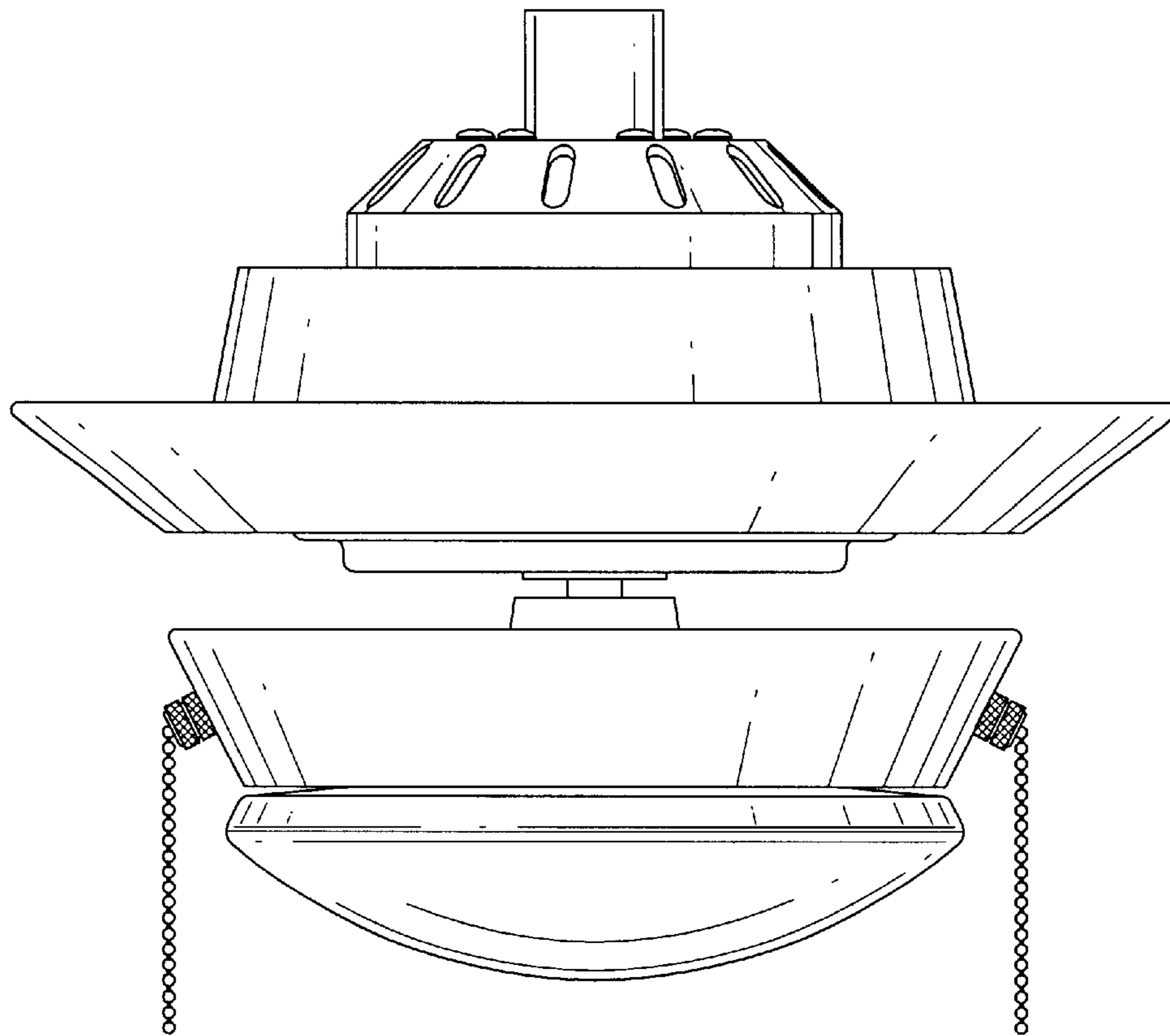


FIG. 3

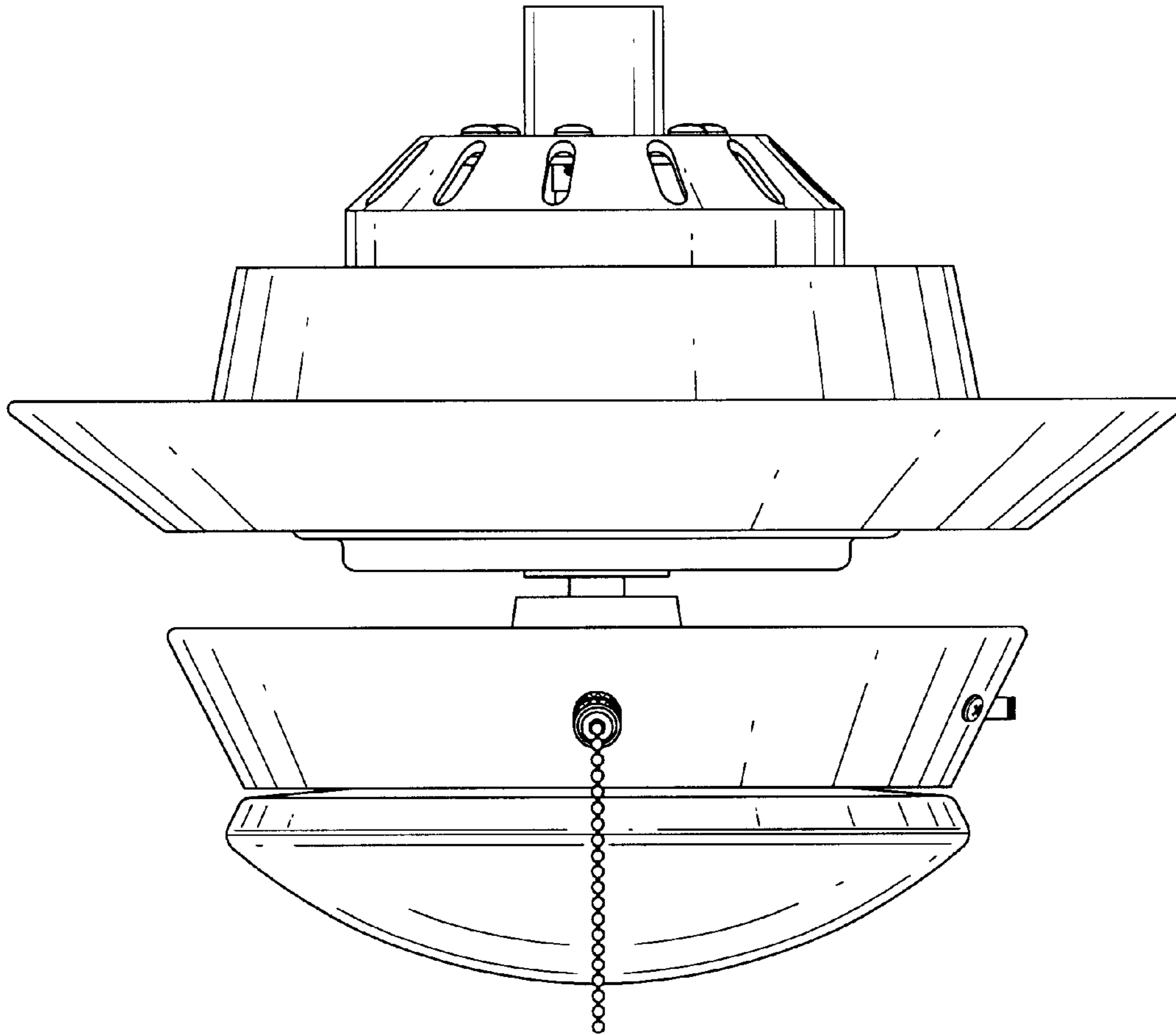


FIG. 4

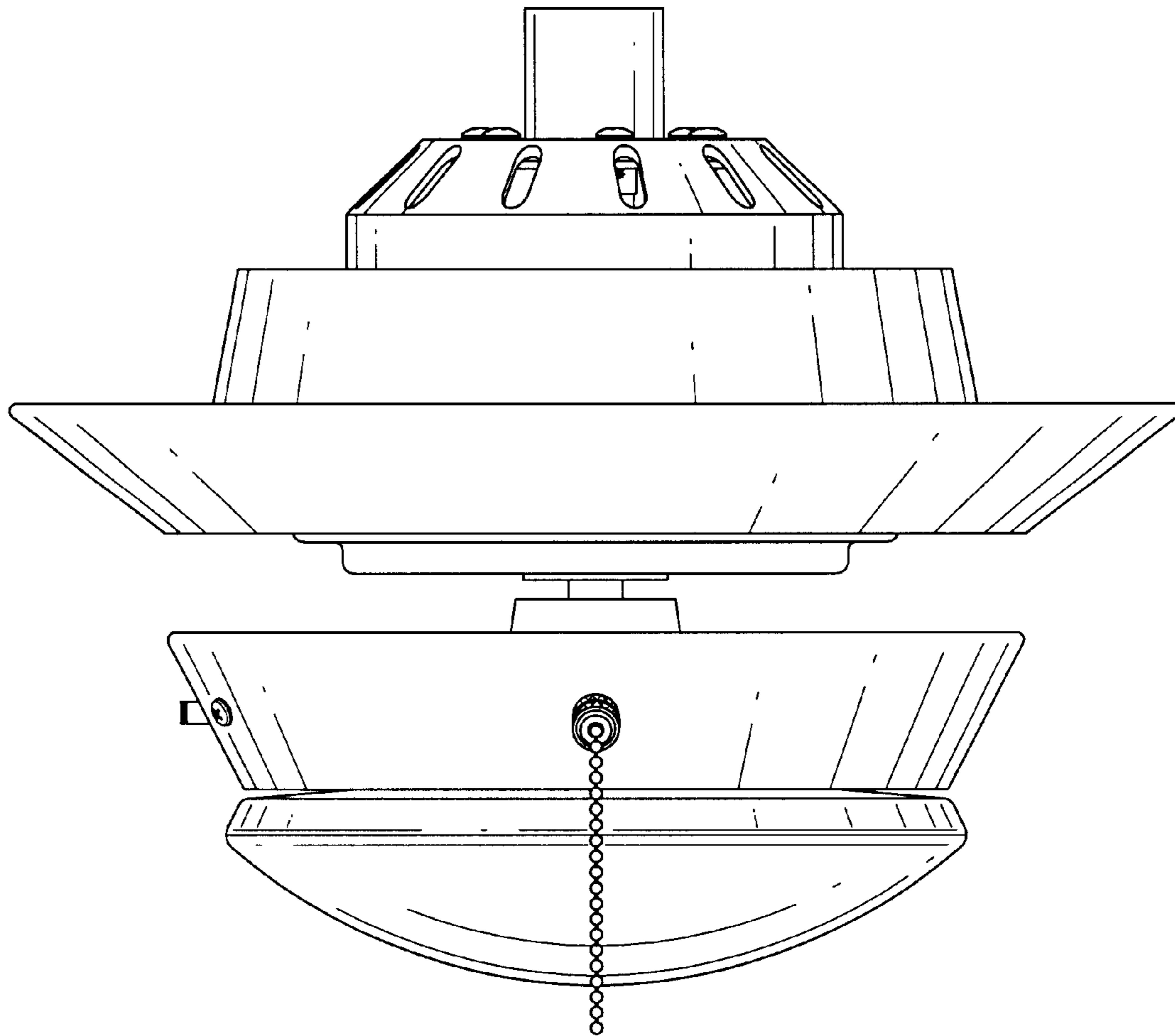


FIG. 5

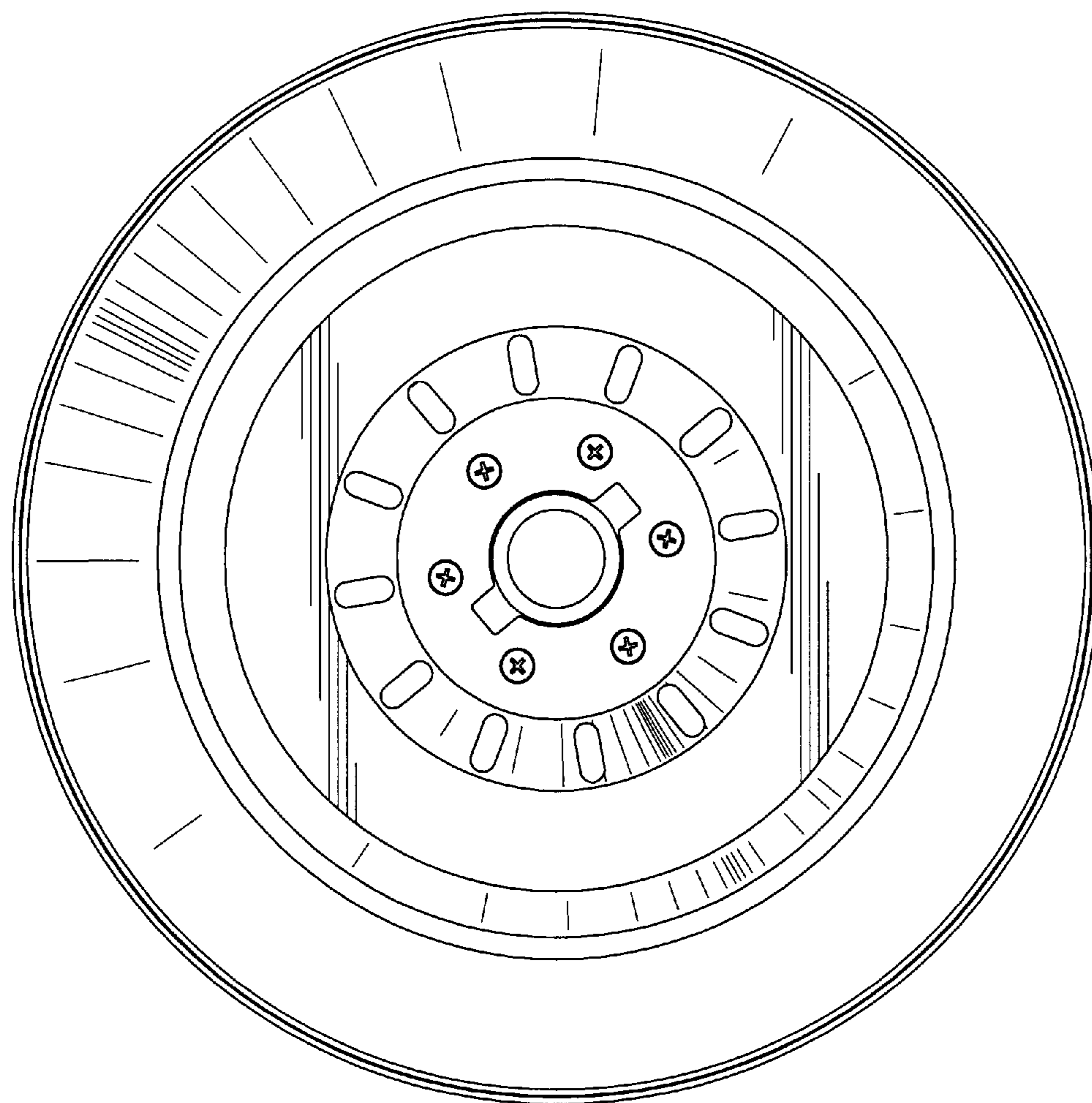


FIG. 6

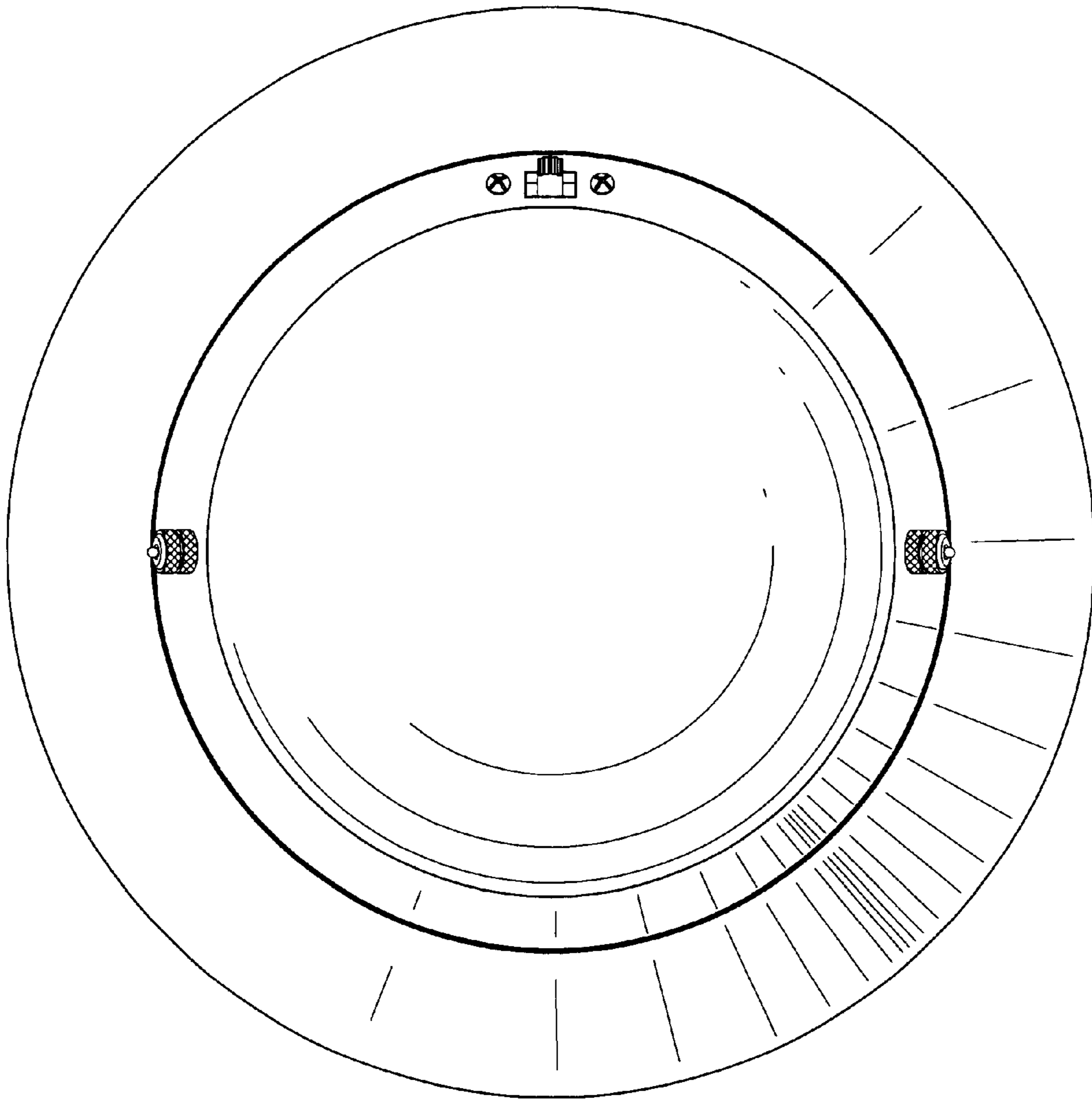


FIG. 7



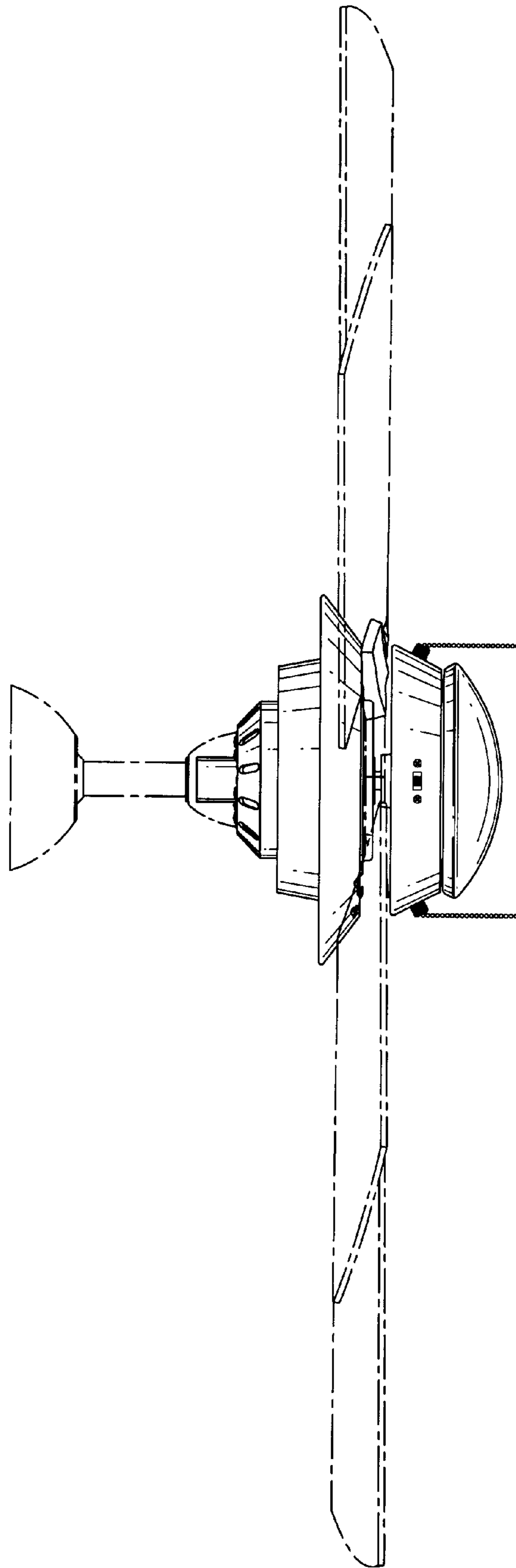


FIG. 8