



US00D535736S

(12) **United States Design Patent**
Wu

(10) **Patent No.:** **US D535,736 S**

(45) **Date of Patent:** **** Jan. 23, 2007**

(54) **AIR FRESHENER DEVICE**

(75) Inventor: **Henry Wu, Hsin-Tien (TW)**

(73) Assignee: **A Roomate Industries Co. Ltd, Taipei (TW)**

(**) Term: **14 Years**

(21) Appl. No.: **29/240,699**

(22) Filed: **Oct. 17, 2005**

(51) **LOC (8) Cl.** **28-99**

(52) **U.S. Cl.** **D23/366**

(58) **Field of Classification Search** 392/386,
392/390-394, 398, 401, 403, 405-406; 239/135-136,
239/34, 35, 56-58, 37, 41, 42, 60; 261/DIG. 17,
261/DIG. 65, DIG. 88, DIG. 89; D23/355-369
See application file for complete search history.

(56) **References Cited**

U.S. PATENT DOCUMENTS

2,931,880 A * 4/1960 Yaffe 392/390
3,522,935 A * 8/1970 Lewis 261/30

D228,287 S * 9/1973 Costello D23/360
D310,412 S * 9/1990 Fukumoto et al. D23/359
D374,924 S * 10/1996 Cramer D23/366
D428,981 S * 8/2000 Wolpert et al. D23/366
D440,644 S * 4/2001 Potnis et al. D23/359

* cited by examiner

Primary Examiner—Sandra S. Snapp

(74) *Attorney, Agent, or Firm*—Ira S. Dorman

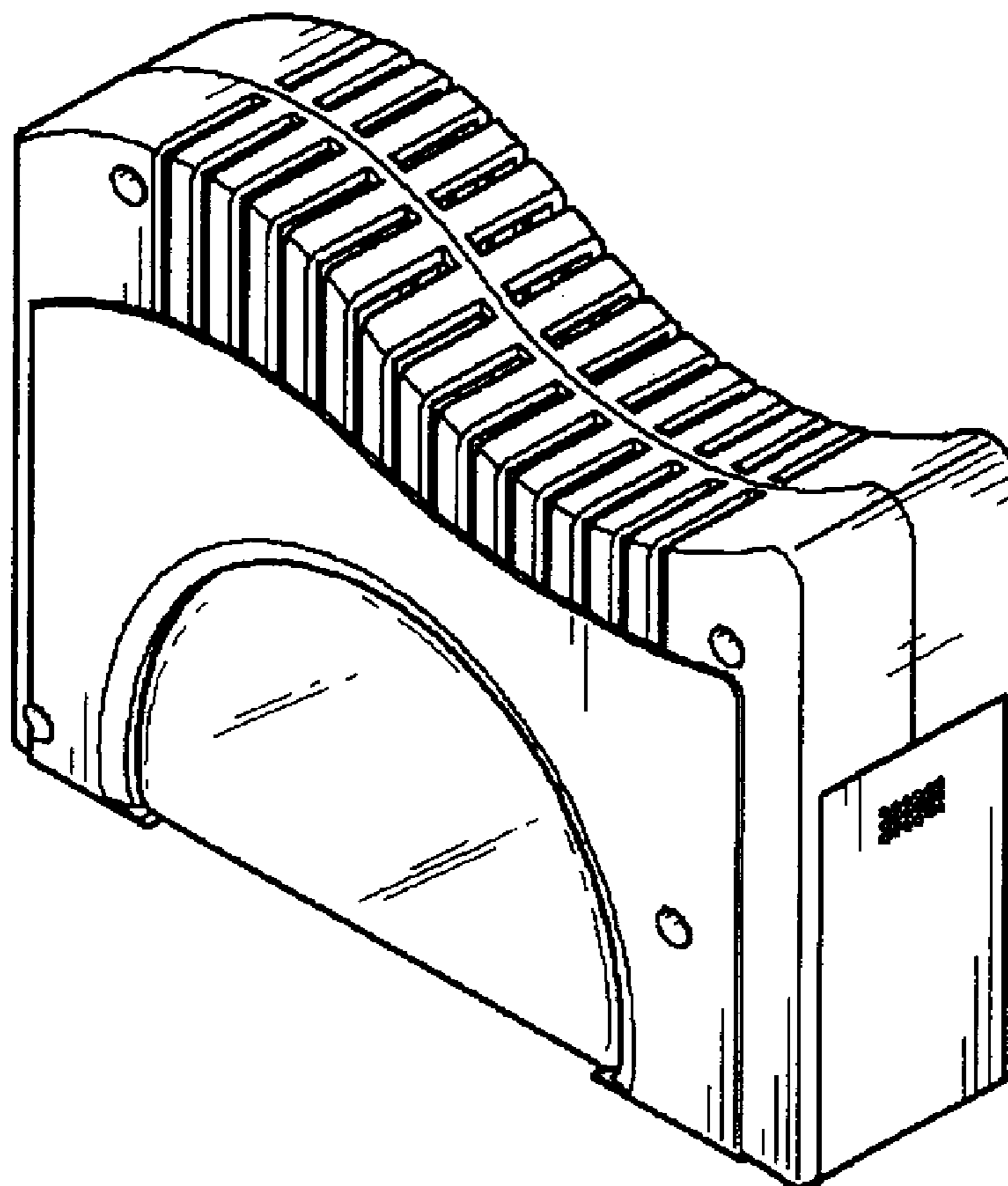
(57) **CLAIM**

The ornamental design for an air freshener device, as shown.

DESCRIPTION

FIG. 1 is perspective view of an air freshener device embodying the present invention;
FIG. 2 is a front view of the air freshener device;
FIG. 3 is a rear view of the air freshener device;
FIG. 4 is a left side view of the air freshener device;
FIG. 5 is a right side view of the air freshener device;
FIG. 6 is a top plan view of the air freshener device; and,
FIG. 7 is a bottom view of the air freshener device.

1 Claim, 4 Drawing Sheets



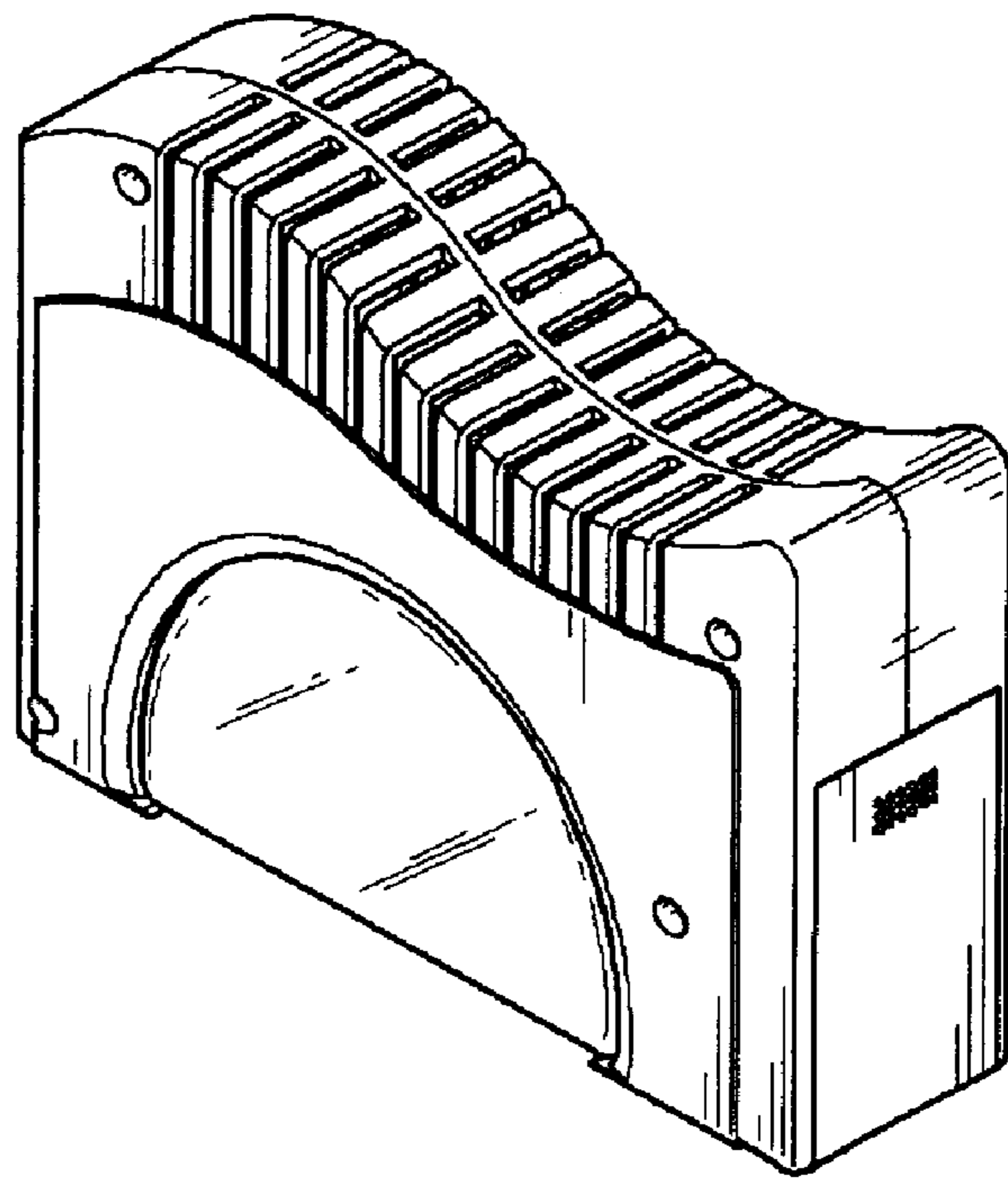


FIG. 1

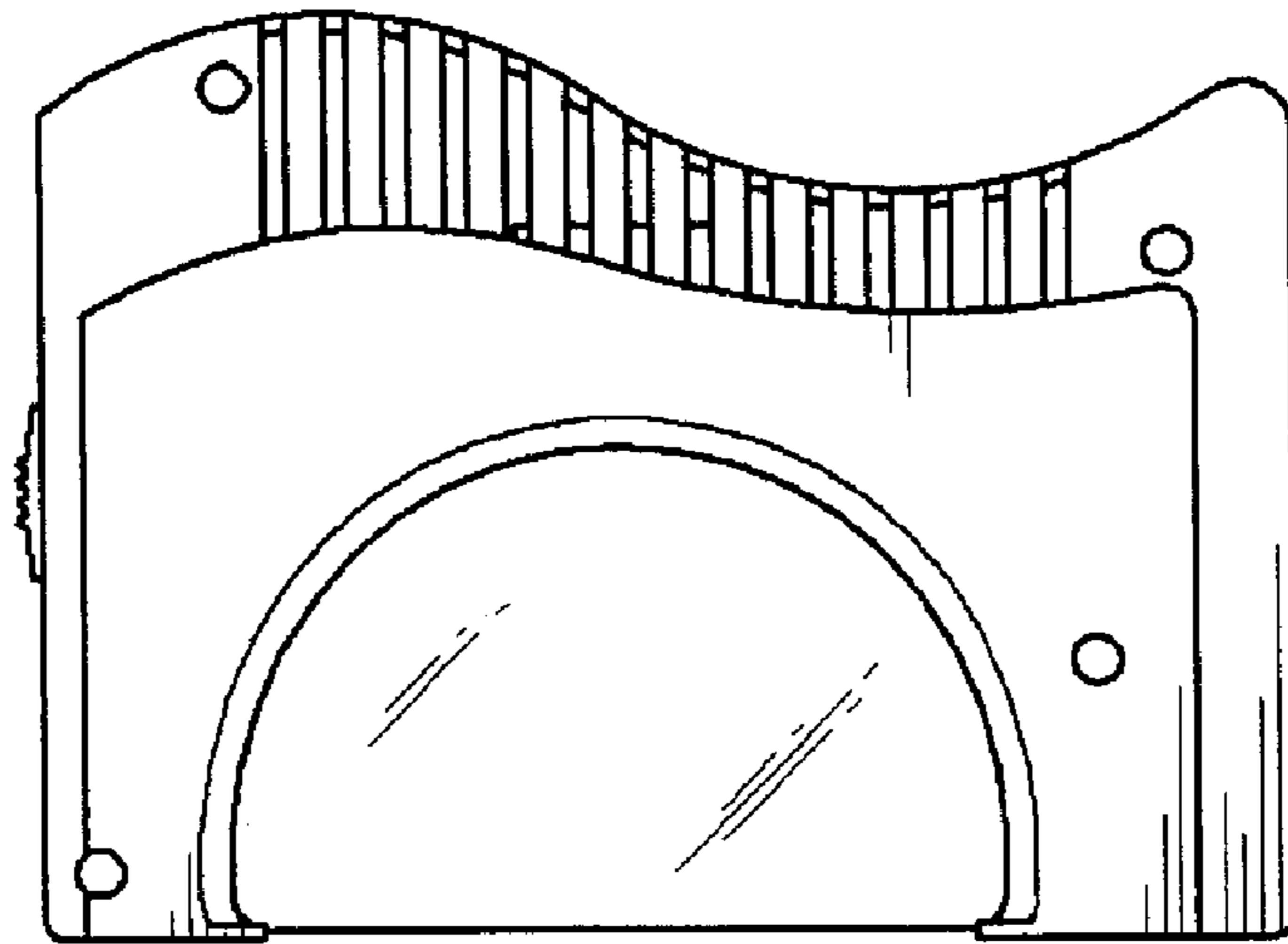


FIG 2.

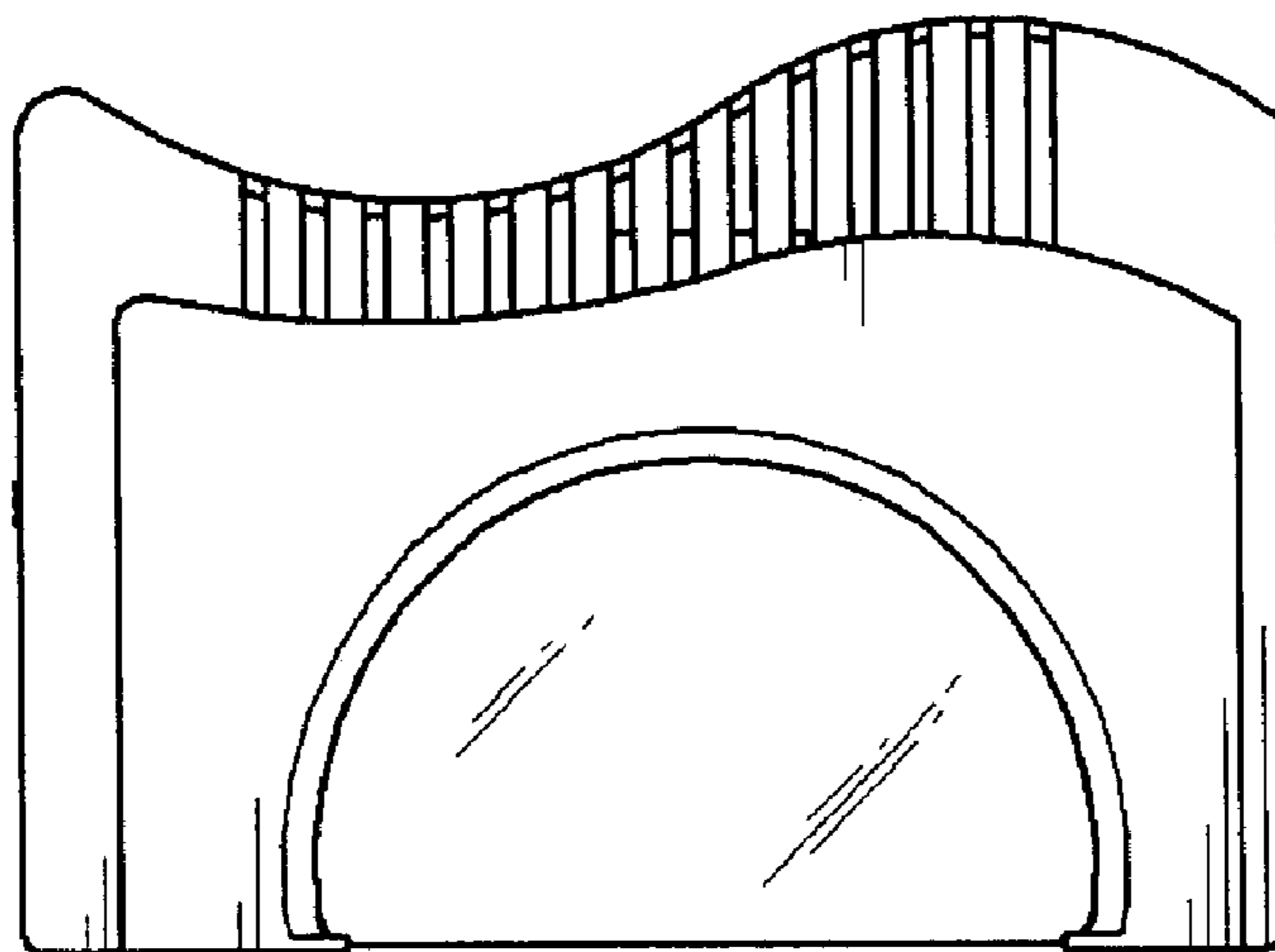


FIG 3.

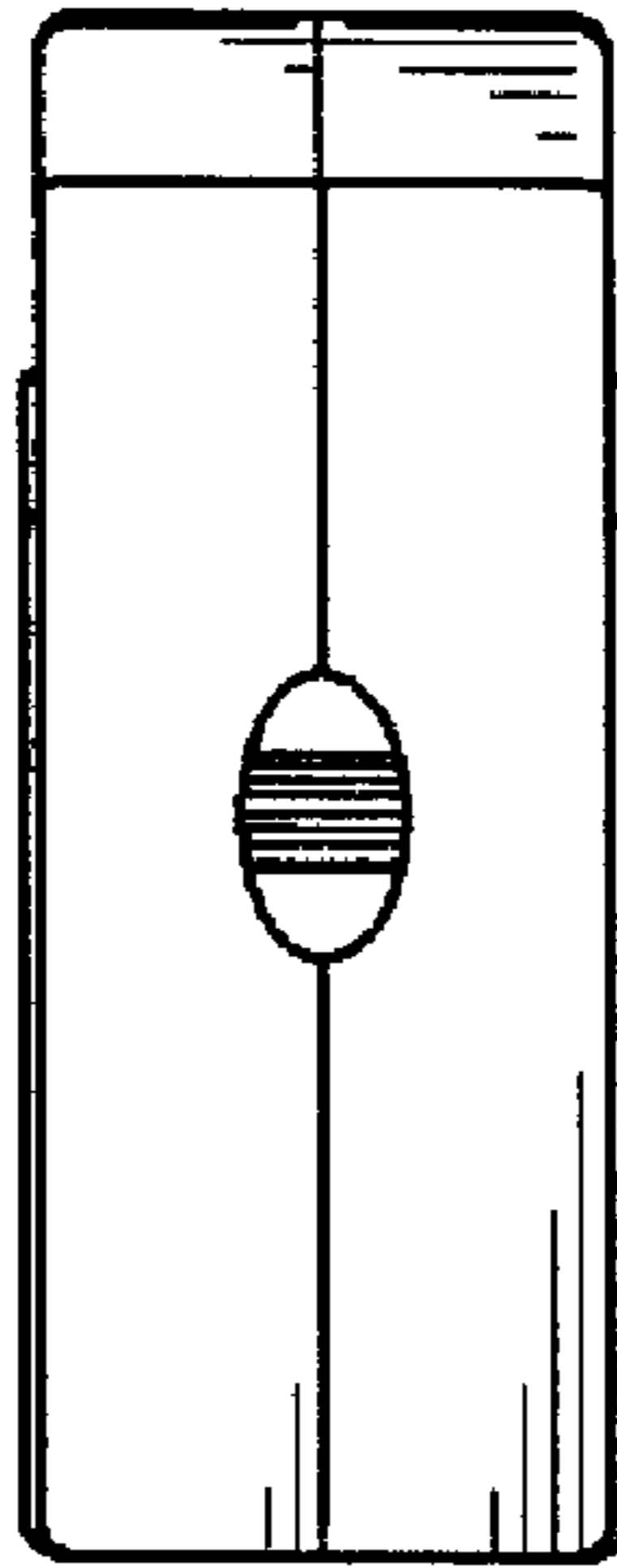


FIG 4.

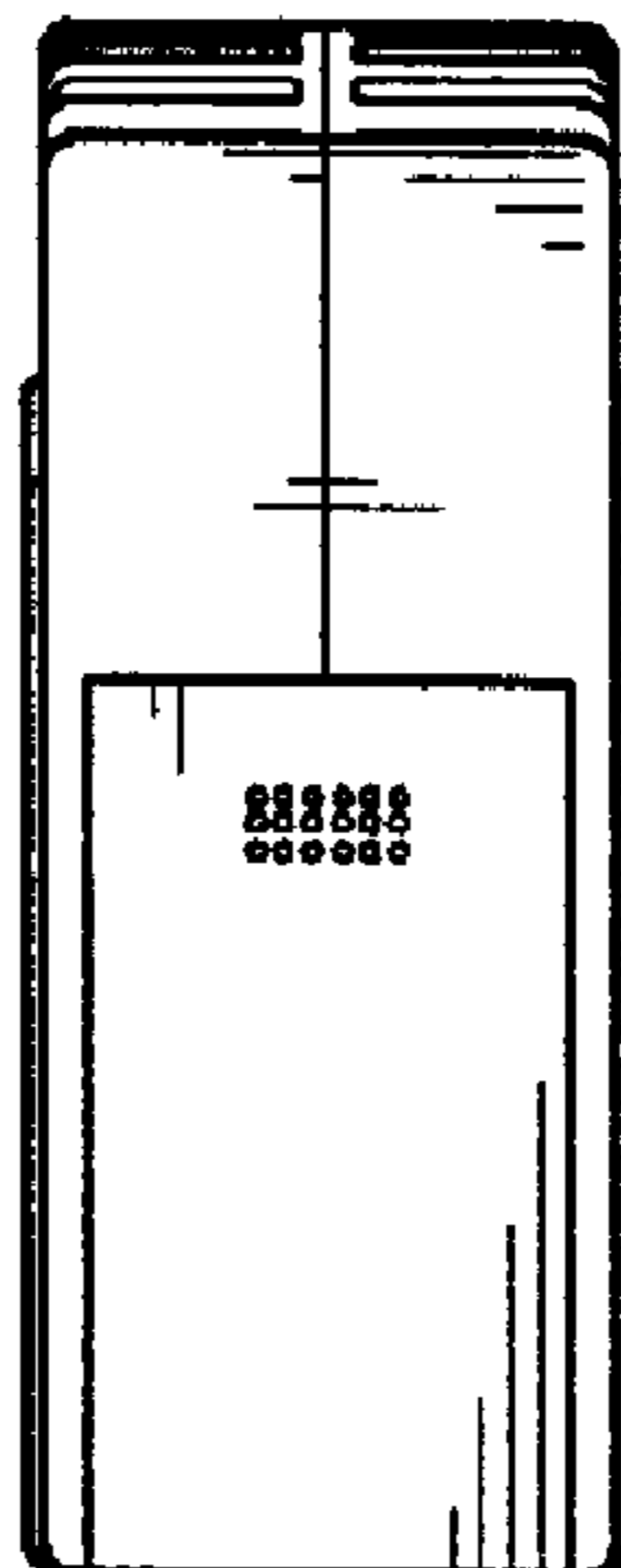


FIG 5.

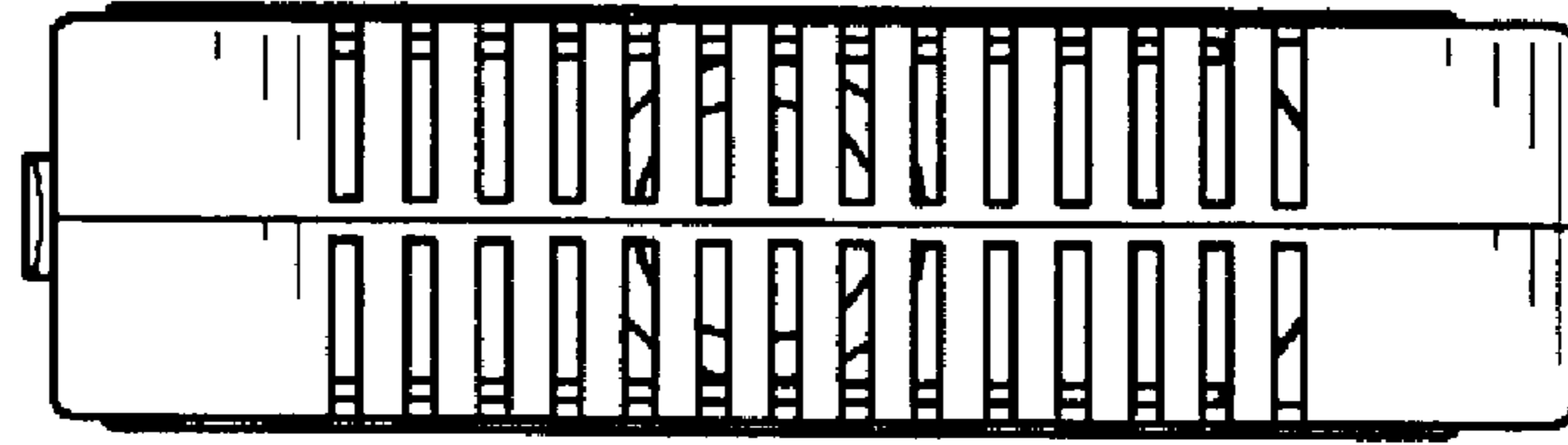


FIG 6.

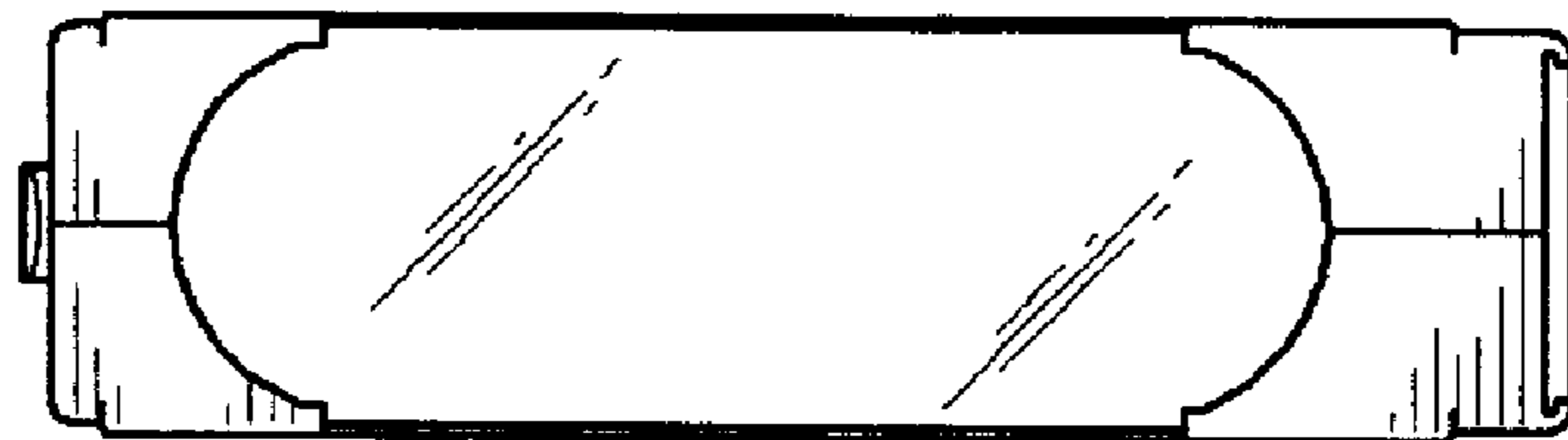


FIG 7.

UNITED STATES PATENT AND TRADEMARK OFFICE
CERTIFICATE OF CORRECTION

PATENT NO. : Des. 535,736 S
APPLICATION NO. : 29/240699
DATED : January 23, 2007
INVENTOR(S) : Henry Wu

Page 1 of 1

It is certified that error appears in the above-identified patent and that said Letters Patent is hereby corrected as shown below:

Title Page, Item (73) Assignee: should read
Aromate Industries Co., Ltd.

Signed and Sealed this

Seventeenth Day of April, 2007

A handwritten signature in black ink on a light gray dotted background. The signature reads "Jon W. Dudas" in a cursive style.

JON W. DUDAS

Director of the United States Patent and Trademark Office